

### Features

- Vitreous china
- Elongated bowl
- Includes seat, cover and left-hand polished chrome trip lever
- 12" (305 mm) rough-in
- 1.28 gpm (4.8 lpf)
- Skirted trapway

### Technology

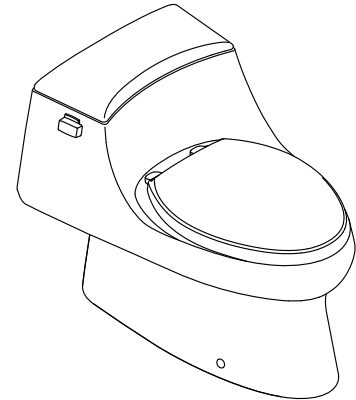
- Single-flush gravity uses the force of gravity and a precision-engineered tank, bowl, and trapway to create a siphon during flushing
- This unique flushing system ensures both a strong siphon and a powerful rim wash
- Flush valve's 3:2 ratio harnesses the natural force of gravity and optimizes flush performance

### Installation

- 12" (305 mm) rough-in

### Water Conservation & Rebates

- WaterSense® toilets meet strict EPA flushing guidelines, including using at least 20 percent less water than 1.6 gpf toilets
- Eligible for consumer rebates in some municipalities



For complete listing of available colors, go to [kohler.com](http://kohler.com).



### Codes/Standards

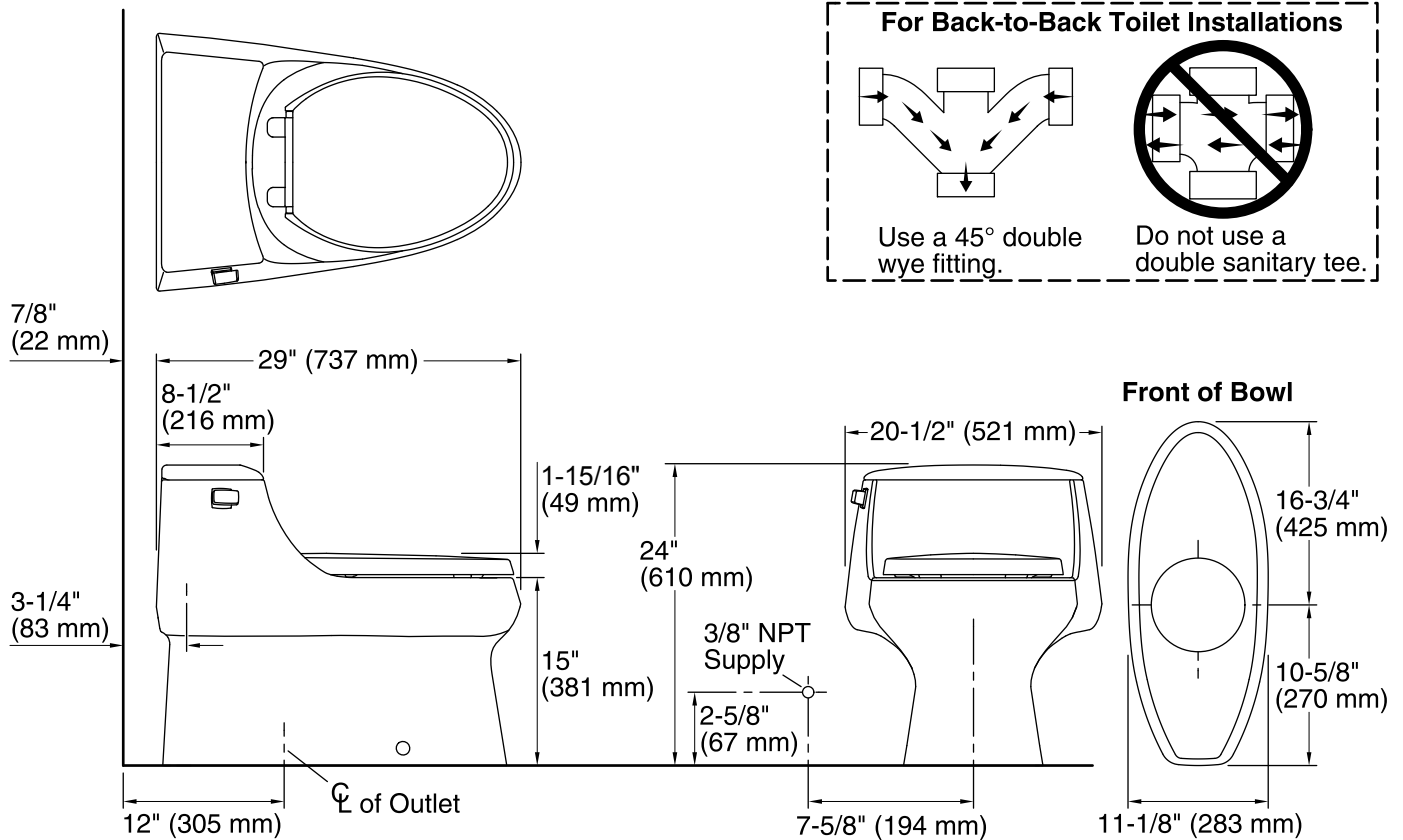
ASME A112.19.1/CSA B45.2  
DOE - Energy Policy Act 1992  
EPA WaterSense®

### KOHLER® One-Year Limited Warranty

See website for detailed warranty information.

### Product Specification

Toilet shall be 29" (737 mm) in length, 20-1/2" (521 mm) in width, and 24" (610 mm) in height. Toilet shall be made of vitreous china. Toilet shall be one-piece. Toilet shall be 1.28 gpf (4.8 lpf). Toilet shall include toilet seat. Toilet shall be left-hand trip lever. Toilet shall be a 12" (305 mm) rough-in. Toilet shall be KOHLER Model K-3722.



## Technical Information

All measurements are nominal.

Toilet style:	One-piece
Bowl shape:	Elongated front
Flush rate - full:	1.28 gpf (4.8 lpf)
Water area:	11-1/2" x 7" (292 mm x 178 mm)
Template:	Under-mount, 1231981-7, required, included

## Installation Notes

Install this product according to the installation guide.

For back-to-back toilet installations: Use only a 45° double wye fitting.