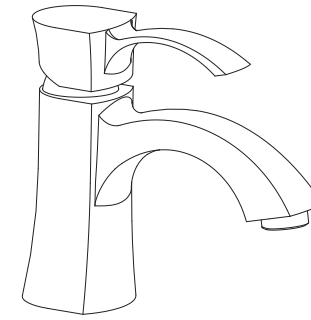


Daily cleaning and care are required in order to keep the product shining and properly working.

- 1 Clean it with water and dry it with soft cloth.
- 2 Clean the product with gentle liquid or glass cleaner.
- 3 Don't use acid cleaner.
- 4 Don't clean with abrasive material, abrasive paper or knife.

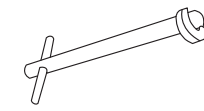


SINGLE LEVER LAVATORY FAUCET

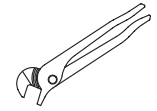


ASME A112.18.1/CSA B125.1

RECOMMENDED TOOLS



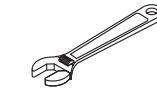
Basin wrench



Channel Locks



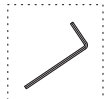
Goggles



Adjustable Wrench



Teflon tape

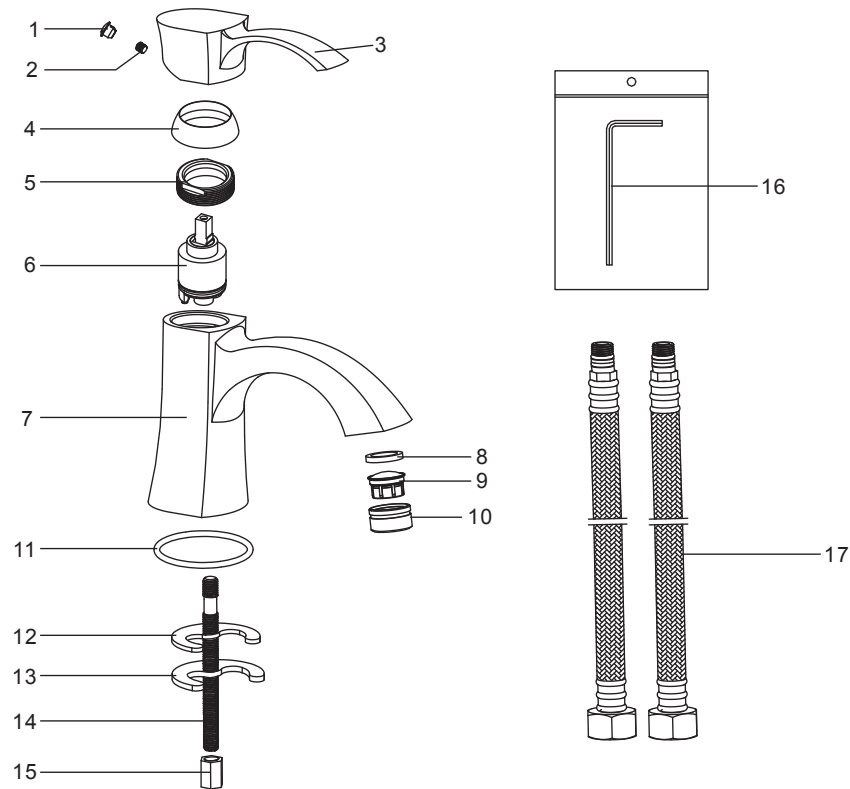


Allen key

WARNING:
Please keep the tool for future use!



Attention:
for easy installation, you will need:
1. To read all the installation instruction completely before beginning.
2. To read all the warning, attention and maintenance information.
3. To purchase the proper supply lines.



NO.	PART NAME
1	Index
2	Screw
3	Handle
4	Trim cap
5	Cartridge lock nut
6	Cartridge
7	Body
8	O-ring
9	Aerator core
10	Aerator collar
11	O-ring
12	Rubber washer
13	Clamp
14	Screw
15	Lock nut
16	Allen key
17	Flexible hose

The tools might be applied to the following places:

