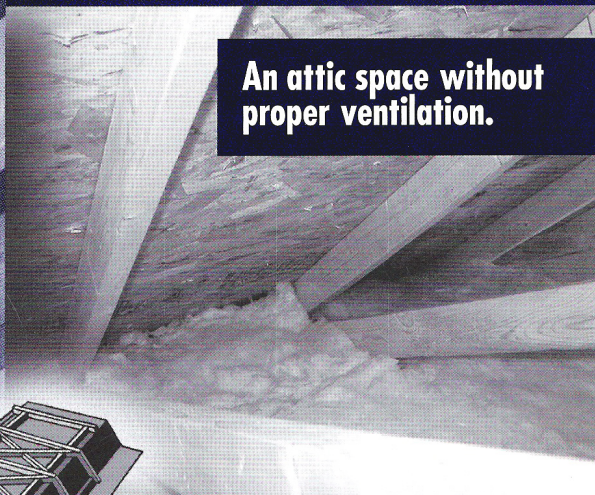
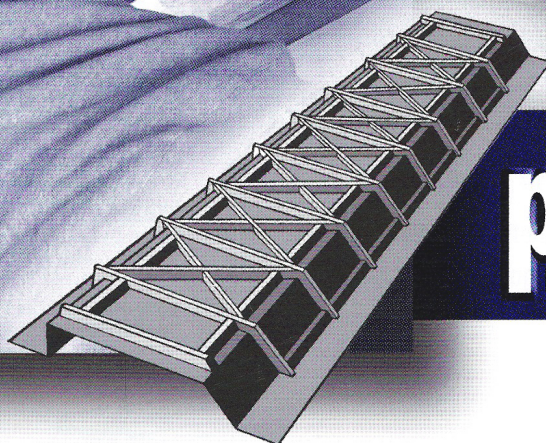


# Use proVent to make your attic ventilation project easier.



An attic space without proper ventilation.



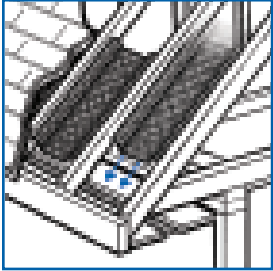
**proVent**  
Durable Attic Ventilation Channels

## Here's why proVent is a better option than foam vents:

- proVent's full joist coverage provides greater air flow.
- Stapling plastic is more forgiving than foam or cardboard.
- Plastic holds staples much better than foam.
- Foam vents are delicate and hard to navigate in tight attic spaces.
- Vents sometimes have to be shoved over insulation and foam can break.
- Nails through the roof deck can snag and tear foam vents.
- Plastic vents are easier to transport and store on the job site.
- Plastic vents are rigid and don't break.

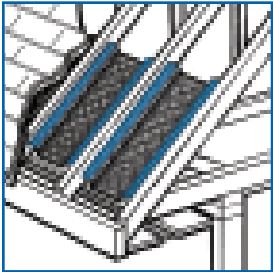


# How do I install proVent?



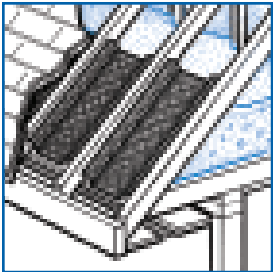
**1.**

Slide proVent over top plate.



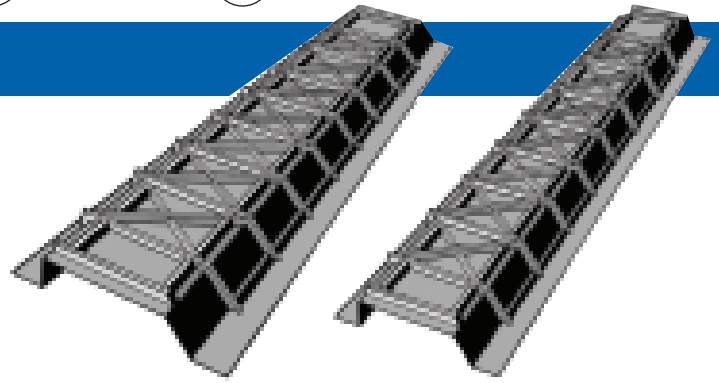
**2.**

Secure proVent to roof deck with staples on outer flanges.



**3.**

Install attic insulation tight against proVent.



**proVent PV2248**

Use for 24" on-center joist spacing

**proVent PV1448**

Use for 16" on-center joist spacing

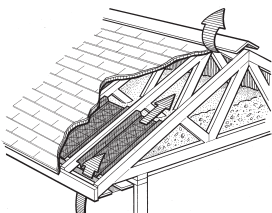
## How many vents will I need?

One proVent ventilation channel per rafter or truss cavity is recommended. Without ventilation channels air cannot flow freely from the soffit to the exhaust vents. Poor air flow reduces insulation efficiencies and accelerates problems due to moisture.

## What are the specifications of proVent?

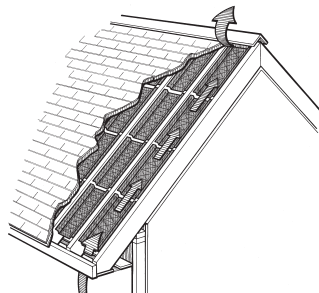
Model #	Joist Spacing	Width	Length	Air Channel Depth	Air Flow
PV2248	24" O.C.	22"	48"	1.4"	26 sq."
PV1448	16" O.C.	14"	48"	1.4"	15 sq."

proVent Flame Spread: Class 1 Building Material (ASTM E84-91a, ANSI 2.5, NFPA 255, UBC 42-1, UL 723).  
Material of Construction: High Impact Polystyrene



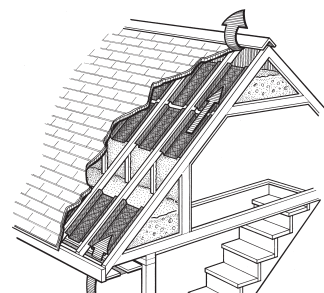
### Conventional Attic

proVent is easily installed in both new and retrofit applications.



### Cathedral Ceilings

proVent can be cut to fit any joist space.  
(Cathedral ceilings require a continuous run of vents from intake to exhaust leaving a one inch space between each vent for removal of trapped moisture.)



### Finished Attic

proVent insures proper air space between roof deck and insulation.

Visit our web site for installation instructions and other helpful attic ventilation information



Made in the U.S.A.

[www.adoproducts.com](http://www.adoproducts.com)

ADO Products, P. O. Box 236, Rogers, MN 55374