

"CLAREMONT" CONVERTIBLE MEDIA FIREPLACE

FA930900HY-CHERRY/BLACK

FA931000TX-CHERRY

FA931400TX-IVORY

FA931500TX-BLACK

FA931600TX-BROWN MAHOGANY

FA931700TX-GLAZED PINE

Assembly Instructions



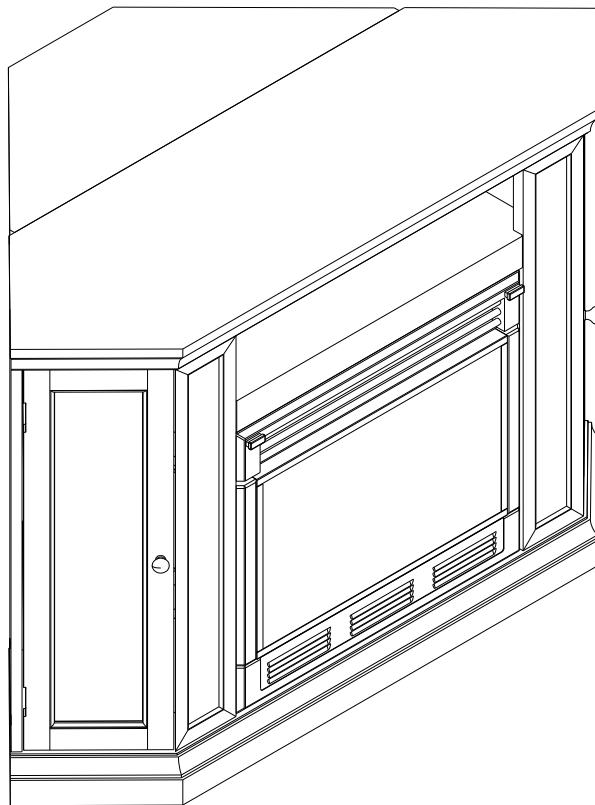
Southern
ENTERPRISES

For assistance with assembly contact:
Southern Enterprises Inc.

Customer Service 1-800-633-5096

service@seidal.com



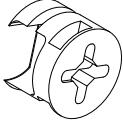
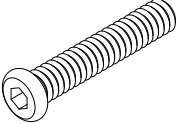
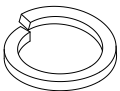
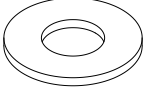
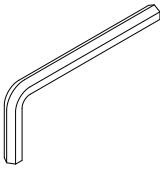

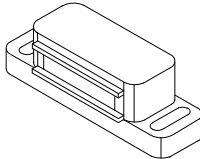
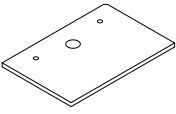
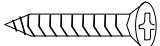
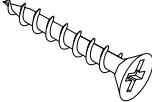
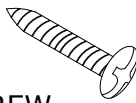
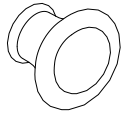
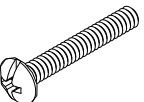
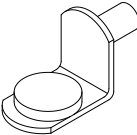
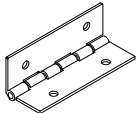
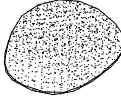
www.seidal.com



"CLAREMONT" CONVERTIBLE MEDIA FIREPLACE

Parts List

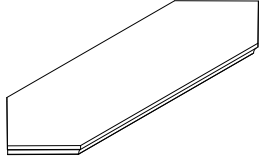
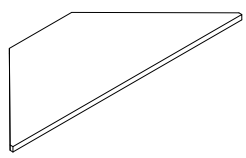
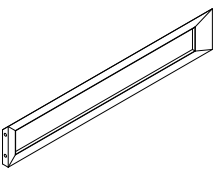
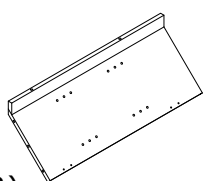
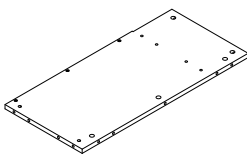
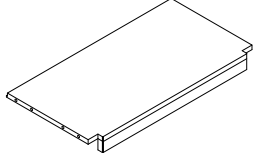
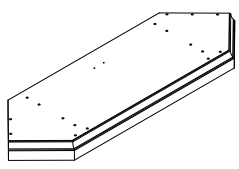
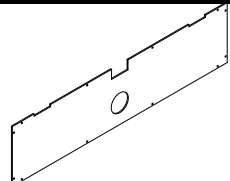
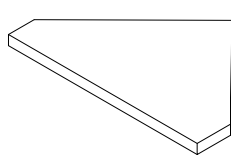
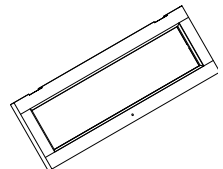
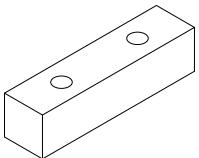
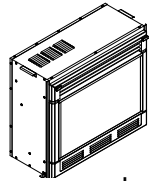
Please review all parts and hardware before disposing of any packaging.
 Call Customer Service if missing hardware.
 Using a screw that is too long will cause damage.
 Before beginning assembly, separate each type of screw. Carefully study the screw diagrams below. You may receive extra hardware with your unit.

<p>A</p>  <p>CAM BOLT</p>	<p>B</p>  <p>WOOD DOWEL</p>
<p>C</p>  <p>CAM LOCK</p>	<p>D</p>  <p>SOCKET HEXAGON BOLT</p>
<p>E</p>  <p>SPRING WASHER</p>	<p>F</p>  <p>FLAT WASHER</p>
<p>G</p>  <p>ALEN WRENCH</p>	<p>H</p>  <p>CROSS SOCKET NUT</p>
<p>I</p>  <p>MAGNET LOCK</p>	<p>J</p>  <p>MAGNET PLATE</p>
<p>K</p>  <p>FLAT HEAD SHORT SCREW</p>	<p>L</p>  <p>FLAT HEAD LONG SCREW</p>
<p>M</p>  <p>ROUND HEAD SCREW</p>	<p>N</p>  <p>KNOB</p>
<p>O</p>  <p>LONG BOLT</p>	<p>P</p>  <p>SHELF HOLDER</p>
<p>Q</p>  <p>HINGE</p>	<p>R</p>  <p>COVER</p>

CLAREMONT CONVERTIBLE MEDIA FIREPLACE

Parts List

Please review all parts and hardware before disposing of any packaging. Call Customer Service if missing hardware. Screws shown in actual size. Using a screw that is too long will cause damage. Before beginning assembly, separate each type of screw. Carefully study the screw diagrams below. You may receive extra hardware with your unit.

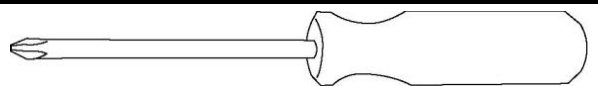
<p>(1)</p>  <p>Quantity of 1</p> <p>TOP PANEL</p>	<p>(2)</p>  <p>Quantity of 1</p> <p>CORNER TOP PANEL</p>
<p>(3)</p>  <p>Quantity of 2</p> <p>FRONT SIDE PANEL (L/R)</p>	<p>(4)</p>  <p>Quantity of 2</p> <p>SIDE PANEL (L/R)</p>
<p>(5)</p>  <p>Quantity of 2</p> <p>MIDDLE PARTITION PANEL (L/R)</p>	<p>(6)</p>  <p>Quantity of 1</p> <p>SHELF PANEL</p>
<p>(7)</p>  <p>Quantity of 1</p> <p>BASE</p>	<p>(8)</p>  <p>Quantity of 1</p> <p>BACK PANEL</p>
<p>(9)</p>  <p>Quantity of 4</p> <p>ADJUSTABLE SHELF PANEL (L/R)</p>	<p>(10)</p>  <p>Quantity of 2</p> <p>DOOR (L/R)</p>
<p>(11)</p>  <p>Quantity of 1</p> <p>INSERT FIXED BAR</p>	<p>(12)</p>  <p>Quantity of 1</p> <p>INSERT (sold in a separate carton)</p>

Care and Cleaning Instructions:

Before using, wipe with a clean, dry cloth. Periodically apply furniture wax to renew the finish. Avoid rubbing or scratching the surface with rough or abrasive objects.

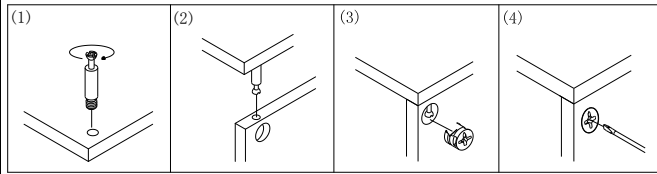
For replacement parts or questions, please Call Customer Service at 1-800-633-5096 please call Manufacturer for assistance, questions or Parts.

Assembly Tool Required
No.2 Phillips Screwdriver (Not Included)

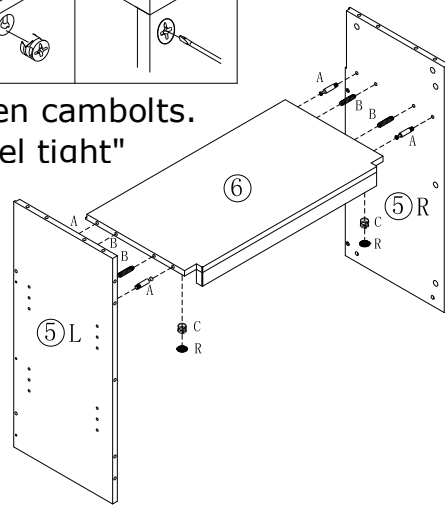


CLAREMONT CONVERTIBLE MEDIA FIREPLACE

Assembly Instructions

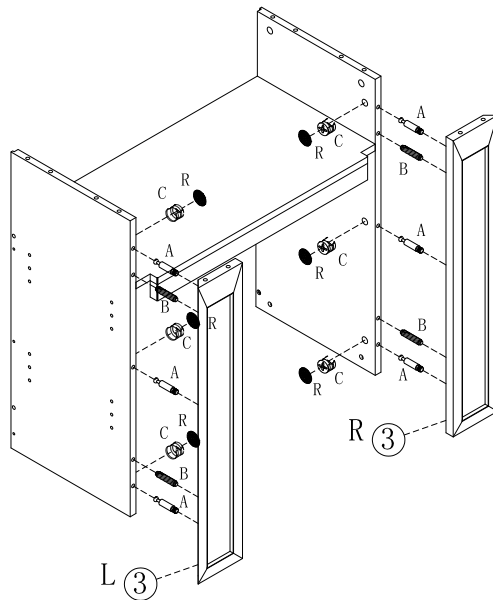


"Please do not over tighten cambolts.
Please stop when you feel tight"



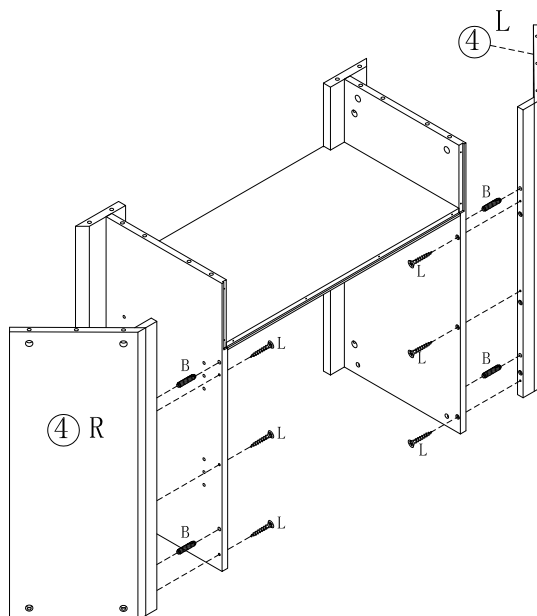
INSERT (A) CAM BOLT & (B) WOOD DOWEL TO THE RELATED HOLES, THEN USE (C) CAM LOCK TO CONNECT (5) SUPPORT PANELS & (6) SHELF PANEL. FINALLY PLACE (R) COVER IN CAM LOCK.

Figure 1



INSERT (A) CAM BOLT & (B) WOOD DOWEL TO THE RELATED HOLES, THEN USE (C) CAM LOCK TO CONNECT (3) FRONT SIDE PANEL. FINALLY PLACE (R) COVER IN THE CAM LOCK.

Figure 2



INSERT (B) WOOD DOWEL TO THE RELATED HOLES, THEN USE (L) WOOD SCREW TO CONNECT (4) SIDE PANEL.

Figure 3

CLAREMONT CONVERTIBLE MEDIA FIREPLACE

Assembly Instructions

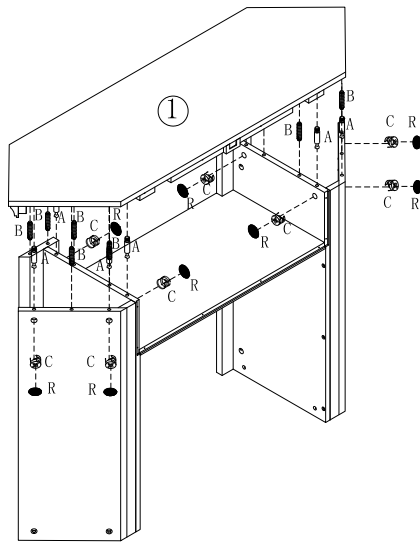


Figure 4

INSERT (A) CAM BOLT & (B) WOOD DOWEL TO THE RELATED HOLES, THEN USE (C) CAM LOCK TO (1) CONNECT TOP PANEL . FINALLY PLACE (R) COVER IN CAM LOCK.

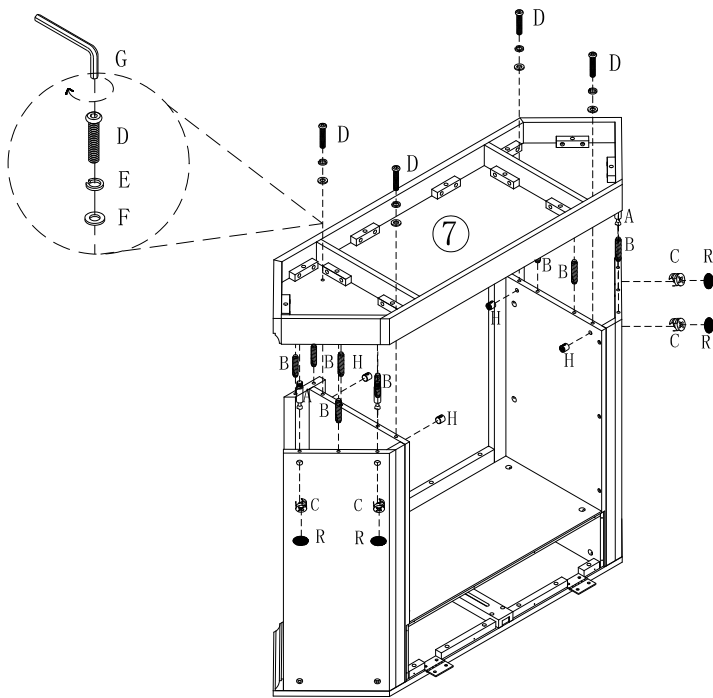


Figure 5

INSERT (A) CAM BOLT & (B) WOOD DOWEL TO THE RELATED HOLES, THEN USE (C) CAM LOCK TO CONNECT (7) BASE . INSERT (D) SOCKET HEXAGON BOLT TO THE RELATED HOLES THROUGH (E) SPRING WASHER & (F) FLAT WASHER, THEN PLACE (R) COVER IN THE CAM LOCK .

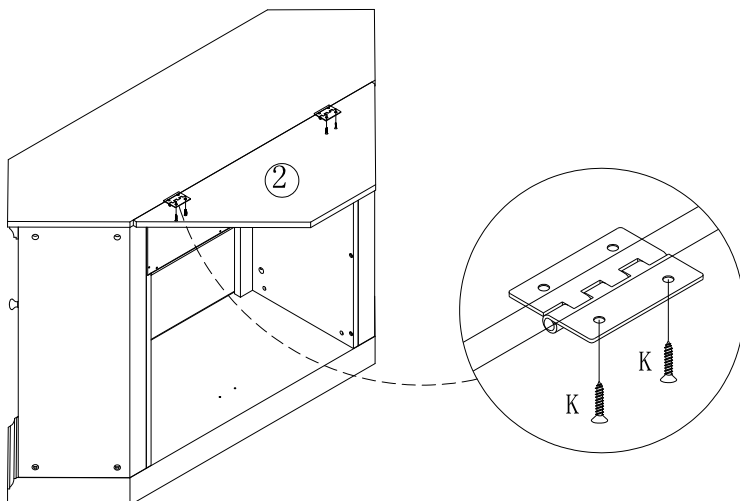


Figure 6

USE (K) WOOD SCREW TO CONNECT (2) CORNER TOP PANEL. (HINGES SHOULD ON BE ON THE BOTTOM OF TOP PANEL)

CLAREMONT CONVERTIBLE MEDIA FIREPLACE

Assembly Instructions

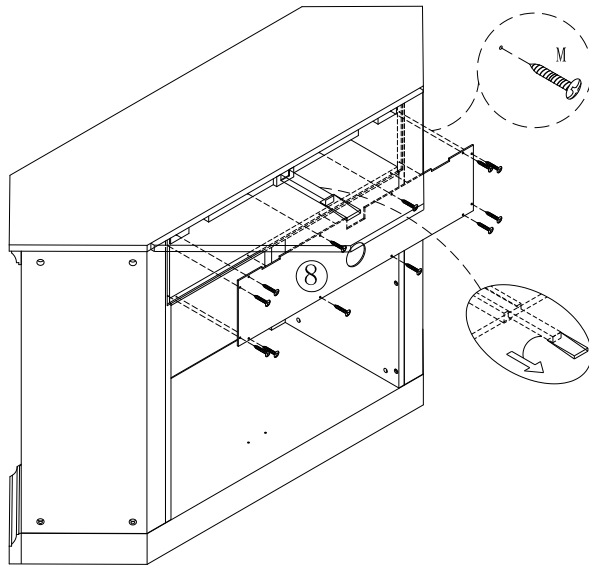


Figure 7

USE (M) WOOD SCREW TO CONNECT (8) UPPER BACK PNAEL .

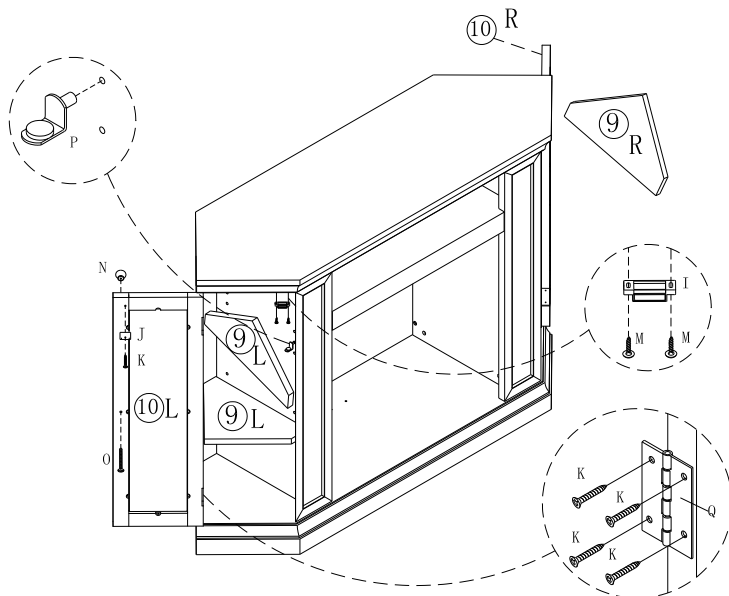


Figure 8

AFTER ASSEMBLE FIGURE(7)
 USE (K) WOOD SCREW & (Q) HINGE TO CONNECT (10)DOORS
 USE(M) WOOD SCREW AND (I) MAGNET LOCK ON THE RELATED HOLES; USE (K) WOOD SCREW AND (J) MAGNET PLATE ON THE RELATED PLACE.
 PUT(10) DOOR TO THE RELATED PLACE ASSEMBLED(N) KNOB TO THE RELATED PLACE OF DOOR, LOCK BY(O) LONG BOLT. THEN INSERT (P) SHELF HOLDER TO THE RELATED HOLES, THEN PUT (9) ADJUSTABLE SHELF PANELS ON THE (P) SHELF HOLDERS

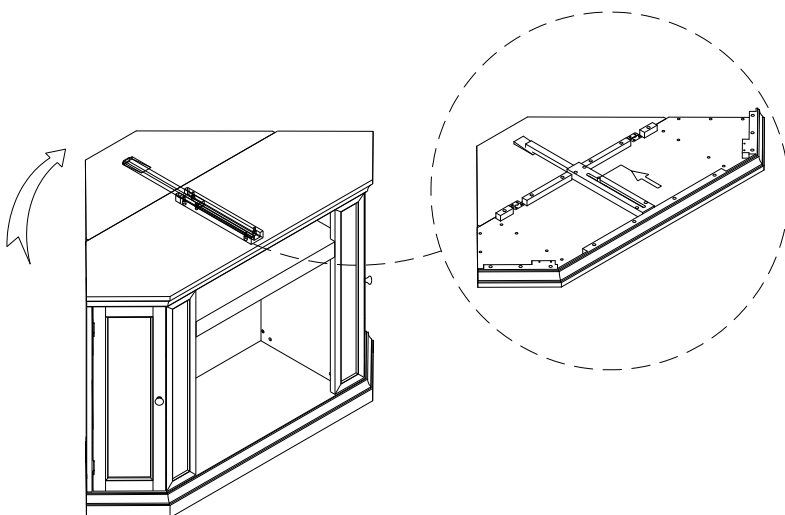


Figure 9

PULL -OUT OF THE WOOD BAR FORM THE SURPOT WOOD SLIDE, SO THE CORNER TOP PANEL WILL KEEP PARALLEL WITH THE TOP PANEL.

CLAREMONT CONVERTIBLE MEDIA FIREPLACE

Assembly Instructions

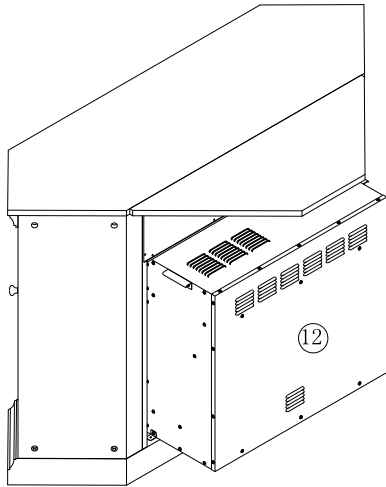


Figure 10

PUSH (R) INSERT TO THE RELATED PLACE OF MAIN BODY.

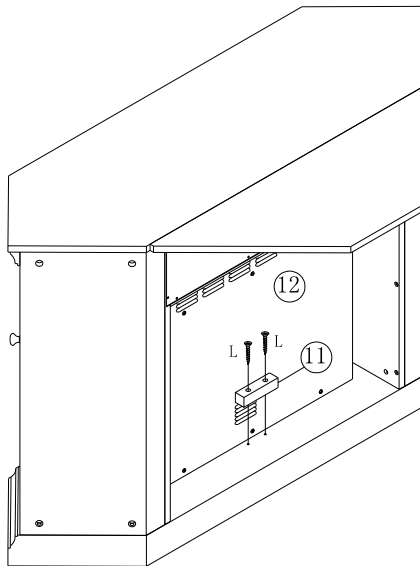
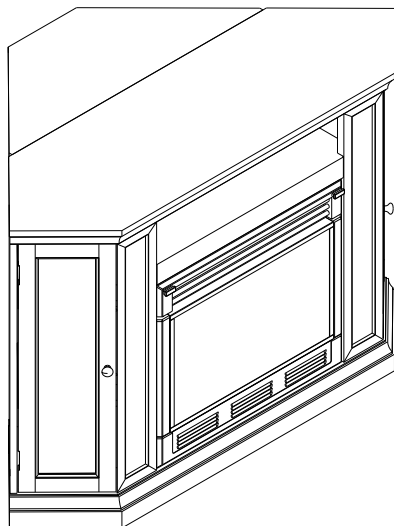


Figure 11

INSERT THE (L) WOOD SCREW INTO THE RELATED HOLES OF (11) INNER FIXED BAR ,THEN USE SCREWDRIVER TO LOCK IT TIGHTLY.



Parts Replacement Form

Customer Information

Name _____

Address _____

City/State/Zip Code _____

Phone Number _____

Please indicate where you purchased this item: Store/Website/Catalog

Please indicate color/size/style number:

Style No	Parts Letter	Parts Description	Quantity Needed
_____	_____	_____	_____
_____	_____	_____	_____
_____	_____	_____	_____

Please immediately examine this product carefully. Any request for missing parts or damage replacement must be received within 90 days of your receipt of the product. Replacement, if available, will be honored within this time frame. Parts will not be available for items arriving fully assembled. We do not recommend modifying product(s) and we are not responsible for any damages due to product modification(s). If damages or missing parts are not reported within 90 days of your receipt, we are under no obligation to provide parts or replacement merchandise.

Please contact Southern Enterprises at 800-633-5096 or in Dallas 972-869-0111/ 9am – 4pm Mon-Fri Central time if you have product issues or email us at service@seidal.com. Please ask for customer service representative for issues involving damages or replacement parts. Please ask for technical assistance representative for any issues with product and assembly/construction.

Please contact the retailer that you purchased from for returns.



Southern
ENTERPRISES

Customer Service 1-800-633-5096

service@seidal.com

Southern Enterprises, Inc.

600 Freeport Parkway, Suite 200

Coppell, Texas 75019



CAUTION

The top shelf is intended for a flat screen television with a maximum overall width of 46" and supports up to 85lb.

Each center shelf should not be loaded with more than 20 lb. Each side shelf should not be loaded with more than 10 lb. The extension panel not be loaded with more than 6 LBS.

DO NOT EXCEED RECOMMENDED LOAD. Use with products heavier than the maximum sizes and weights indicated may result in instability causing possible injury.

This unit contains a permanent warning sticker located on under side of top shelf or inside drawer.

Do not allow children under 16 years old to move the cart.

Model: FA930900HY/ FA931000TX/FA931400TX
FA931500TX/FA931600TX
FA931700TX

"CLAREMONT" CONVERTIBLE MEDIA FIREPLACE

Southern Enterprises, Inc
600 Freeport Parkway, Suite 200
Coppell, Texas, 75019