

HILTI

SID 2-A

Operating instructions

en

Mode d'emploi

fr

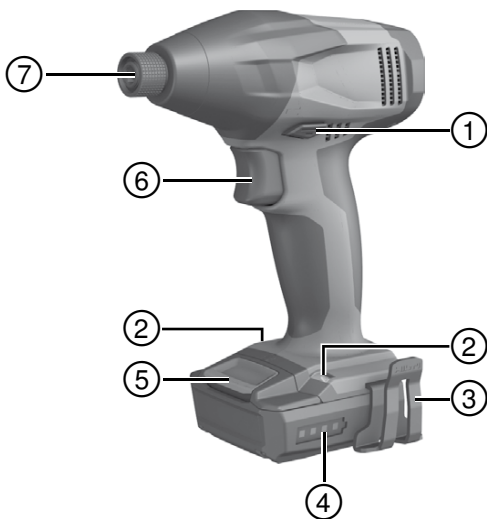
Manual de instrucciones

es

Manual de instruções

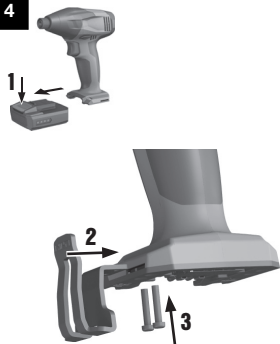
pt





This Product is Certified
Ce produit est homologué
Producto homologado por
Este producto está registrado



2**3****4**

5**6****7**

ORIGINAL OPERATING INSTRUCTIONS

SID 2-A cordless impact screwdriver

en

It is essential that the operating instructions are read before the power tool is operated for the first time.

Always keep these operating instructions together with the power tool.

Ensure that the operating instructions are with the power tool when it is given to other persons.

Contents

1	General information	2
2	Description	3
3	Technical data	5
4	Safety instructions	5
5	Before use	10
6	Operation	11
7	Care and maintenance	12
8	Troubleshooting	13
9	Disposal	14
10	Manufacturer's warranty - tools	15

i These numbers refer to the illustrations. You can find the illustrations at the beginning of the operating instructions.

Technical changes and errors excepted.

Operating controls and parts **i**

① Forward / reverse switch

② Illumination

③ Belt hook (accessory)

④ Charge status display

⑤ Release button

⑥ Control switch

⑦ Hex. socket

1 General information

1.1 Safety notices and their meaning

DANGER

en Draws attention to imminent danger that will lead to serious bodily injury or fatality.

WARNING

Draws attention to a potentially dangerous situation that could lead to serious personal injury or fatality.

CAUTION

Draws attention to a potentially dangerous situation that could lead to slight personal injury or damage to the equipment or other property.

NOTE

Draws attention to an instruction or other useful information.

1.2 Explanation of the pictograms and other information

Warning signs



General warning

Obligation signs



Read the operating instructions before use.

Symbols



Return materials for recycling



Direct current

n_0

Rated speed under no load



Forward rotation

en



Reverse rotation

Location of identification data on the power tool

The type designation can be found on the type identification plate and the serial number on the side of the motor housing. Make a note of this data in your operating instructions and always refer to it when making an enquiry to your Hilti representative or service department.

Type:

Generation: 01

Serial no.:

2 Description

2.1 Use of the product as directed

The SID 2-A is a hand-held cordless impact screwdriver. It is designed for driving and removing screws in wood, metal, masonry and concrete and for tightening and releasing nuts and bolts.

Do not use the battery as a power source for other unspecified appliances. To help avoid the risk of injury, use genuine Hilti accessories and tools.

Do not use the cordless impact screwdriver for applications that require a precise torque. If the cordless impact screwdriver is used for applications that require a precise torque, or for applications where a specific maximum torque must not be exceeded, there is a risk of over-tightening and damage to the screw or workpiece. To prevent over-tightening in these types of application, use a tool that allows specific pre-set torque settings to be made.

The power tool is designed for professional use and may be operated, serviced and maintained only by trained, authorized personnel. This

personnel must be informed of any special hazards that may be encountered. The power tool and its ancillary equipment may present hazards when used incorrectly by untrained personnel or when used not as directed. Observe the national health and safety requirements.

en

2.2 Items supplied

- 1 SID 2-A cordless impact screwdriver
- 1 Operating instructions

Accessories can be found at your Hilti Center or online at www.hilti.com.

2.3 Additional items required for operating the cordless impact screwdriver:

B 12/2.6 Li-ion battery and C 4/12-50 charger.

2.4 Features

The cordless impact screwdriver features a vibration-absorbing grip as well as overloading, overheating and deep discharge protection.

2.5 Battery charge status indicator

The battery features a charge status LED display. When the release button on the battery is pressed, the battery charge status is indicated by four LEDs.

LEDs light constantly	LEDs blink	Charge status C
LED 1, 2, 3, 4	-	$C \geq 75 \%$
LED 1, 2, 3	-	$50 \% \leq C < 75 \%$
LED 1, 2	-	$25 \% \leq C < 50 \%$
LED 1	-	$10 \% \leq C < 25 \%$
-	LED 1	$C < 10 \%$

NOTE

The charge status cannot be indicated while the tool is in operation.

NOTE

The charge status display LEDs may light briefly while the battery is being fitted to the cordless impact screwdriver.

3 Technical data

Right of technical changes reserved.

Power tool	SID 2-A
Rated voltage	10.8 V
Weight	1.1 kg (2.43 lb)
Rated speed under no load	0...2,500/min
Impact speed	Max. 3,410/min
Chuck	1/4" hex. socket with locking sleeve

Battery	B 12/2.6
Rated voltage	10.8 V
Capacity	2.6 Ah
Energy capacity	28.08 Wh
Weight	0.24 kg (0.53 lb)
Type of cell	Li-ion

4 Safety instructions

NOTE

The safety rules in section 4.1 contain all general safety rules for power tools which, in accordance with the applicable standards, require to be listed in the operating instructions. Accordingly, some of the rules listed may not be relevant to this tool.

4.1 General power tool safety warnings

- a)  **WARNING**

Read all safety warnings and instructions. Failure to follow the warnings and instructions may result in electric shock, fire and/or serious injury. **Save all warnings and instructions for future reference.** The term "power tool" in the warnings refers to your mains-operated (corded) power tool or battery-operated (cordless) power tool.

4.1.1 Work area safety

- a) **Keep work area clean and well lit.** Cluttered or dark areas invite accidents.

- b) **Do not operate power tools in explosive atmospheres, such as in the presence of flammable liquids, gases or dust.** Power tools create sparks which may ignite the dust or fumes.
- c) **Keep children and bystanders away while operating a power tool.** Distractions can cause you to lose control.

4.1.2 Electrical safety

- a) **Power tool plugs must match the outlet. Never modify the plug in any way. Do not use any adapter plugs with earthed (grounded) power tools.** Unmodified plugs and matching outlets will reduce risk of electric shock.
- b) **Avoid body contact with earthed or grounded surfaces such as pipes, radiators, ranges and refrigerators.** There is an increased risk of electric shock if your body is earthed or grounded.
- c) **Do not expose power tools to rain or wet conditions.** Water entering a power tool will increase the risk of electric shock.
- d) **Do not abuse the cord. Never use the cord for carrying, pulling or unplugging the power tool. Keep cord away from heat, oil, sharp edges or moving parts.** Damaged or entangled cords increase the risk of electric shock.
- e) **When operating a power tool outdoors, use an extension cord suitable for outdoor use.** Use of a cord suitable for outdoor use reduces the risk of electric shock.
- f) **If operating a power tool in a damp location is unavoidable, use a residual current device (RCD) protected supply.** Use of an RCD reduces the risk of electric shock.

4.1.3 Personal safety

- a) **Stay alert, watch what you are doing and use common sense when operating a power tool. Do not use a power tool while you are tired or under the influence of drugs, alcohol or medication.** A moment of inattention while operating power tools may result in serious personal injury.
- b) **Use personal protective equipment. Always wear eye protection.** Protective equipment such as dust mask, non-skid safety shoes, hard hat, or hearing protection used for appropriate conditions will reduce personal injuries.
- c) **Prevent unintentional starting. Ensure the switch is in the off-position before connecting to power source and/or battery pack, picking up or carrying the tool.** Carrying power tools with your finger on the switch or energising power tools that have the switch on invites accidents.

- d) **Remove any adjusting key or wrench before turning the power tool on.** A wrench or a key left attached to a rotating part of the power tool may result in personal injury.
- e) **Do not overreach. Keep proper footing and balance at all times.** This enables better control of the power tool in unexpected situations.
- f) **Dress properly. Do not wear loose clothing or jewellery. Keep your hair, clothing and gloves away from moving parts.** Loose clothes, jewellery or long hair can be caught in moving parts.
- g) **If devices are provided for the connection of dust extraction and collection facilities, ensure these are connected and properly used.** Use of dust collection can reduce dust-related hazards.

4.1.4 Power tool use and care

- a) **Do not force the power tool. Use the correct power tool for your application.** The correct power tool will do the job better and safer at the rate for which it was designed.
- b) **Do not use the power tool if the switch does not turn it on and off.** Any power tool that cannot be controlled with the switch is dangerous and must be repaired.
- c) **Disconnect the plug from the power source and/or the battery pack from the power tool before making any adjustments, changing accessories, or storing power tools.** Such preventive safety measures reduce the risk of starting the power tool accidentally.
- d) **Store idle power tools out of the reach of children and do not allow persons unfamiliar with the power tool or these instructions to operate the power tool.** Power tools are dangerous in the hands of untrained users.
- e) **Maintain power tools. Check for misalignment or binding of moving parts, breakage of parts and any other condition that may affect the power tool's operation. If damaged, have the power tool repaired before use.** Many accidents are caused by poorly maintained power tools.
- f) **Keep cutting tools sharp and clean.** Properly maintained cutting tools with sharp cutting edges are less likely to bind and are easier to control.
- g) **Use the power tool, accessories and tool bits etc. in accordance with these instructions, taking into account the working conditions and the work to be performed.** Use of the power tool for operations different from those intended could result in a hazardous situation.

4.1.5 Battery tool use and care

- a) **Recharge only with the charger specified by the manufacturer.** A charger that is suitable for one type of battery pack may create a risk of fire when used with another battery pack.
- b) **Use power tools only with specifically designated battery packs.** Use of any other battery packs may create a risk of injury and fire.
- c) **When battery pack is not in use, keep it away from other metal objects, like paper clips, coins, keys, nails, screws or other small metal objects, that can make a connection from one terminal to another.** Shorting the battery terminals together may cause burns or a fire.
- d) **Under abusive conditions, liquid may be ejected from the battery, avoid contact. If contact accidentally occurs, flush with water. If liquid contacts eyes, additionally seek medical help.** Liquid ejected from the battery may cause irritation or burns.

4.1.6 Service

- a) **Have your power tool serviced by a qualified repair person using only identical replacement parts.** This will ensure that the safety of the power tool is maintained.

4.2 Additional safety rules

4.2.1 Personal safety

- a) **Hold power tool by insulated gripping surfaces, when performing an operation where the fastener may contact hidden wiring.** Fasteners contacting a "live" wire may make exposed metal parts of the power tool "live" and could give the operator an electric shock.
- b) **Modification of the machine or tampering with its parts is not permissible.**
- c) **Do not look directly into the light source (LEDs) integrated in the cordless impact screwdriver and do not direct the light at other people's faces.** This presents a risk of dazzling or eye damage.
- d) **Improve the blood circulation in your fingers by relaxing your hands and exercising your fingers during breaks between working.**
- e) **Avoid touching rotating parts. Switch the power tool on only after bringing it into position at the workpiece.** Touching rotating parts, especially rotating insert tools, may lead to injury.
- f) **Activate the safety lock (forward / reverse switch in the middle position) before storing or transporting the power tool.**

- g) **The appliance is not intended for use by debilitated persons who have received no special training. Keep the appliance out of reach of children.**
- h) Dust from materials, such as paint containing lead, some wood species, concrete / masonry / stone containing silica, and minerals as well as metal, may be harmful. Contact with or inhalation of the dust may cause allergic reactions and/or respiratory or other diseases to the operator or bystanders. Certain kinds of dust are classified as carcinogenic such as oak and beech dust, especially in conjunction with additives for wood conditioning (chromate, wood preservative). Material containing asbestos must only be treated by specialists. **Where the use of a dust-extraction device is possible it shall be used. To achieve a high level of dust collection, use a suitable dust extractor. When indicated wear a respirator appropriate for the type of dust generated. Ensure that the workplace is well ventilated. Follow national requirements for the materials you want to work with.**
- i) **Always hold the tool securely by the grip. Keep the grip dry, clean and free from oil and grease.**
- j) **The user and any other persons in the vicinity must wear suitable eye protection, a hard hat, ear protection, protective gloves and breathing protection while the tool is in use.**

4.2.2 Careful use of the power tool

- a) **Secure the workpiece. Use clamps or a vice to secure the workpiece.** The workpiece is thus held more securely than by hand and both hands remain free to operate the power tool.
- b) **Check that the insert tools used are compatible with the chuck system and that they are secured in the chuck correctly.**
- c) **Ensure fastener and attachment will withstand the level of torque generated by the tool.** Excessive torque may overstress, strip or damage the fastener/attachment and possibly lead to personal injury.

4.2.3 Careful use of the cordless tool

- a) **Ensure the switch is in the off position before inserting battery pack.** Inserting the battery pack into power tools that have the switch on invites accidents.
- b) **Do not expose batteries to high temperatures and keep them away from fire.** This presents a risk of explosion.
- c) **Do not disassemble, squash or incinerate batteries and do not subject them to temperatures over 80°C (176°F).** This presents a risk of fire, explosion or injury through contact with caustic substances.

- d) **Avoid ingress of moisture.** Moisture in the interior of the tool may cause a short circuit and chemical reactions resulting in burns to the skin or fire.
- e) **Observe the special guidelines applicable to the transport, storage and use of Li-ion batteries.**
- f) Observe national and international transport regulations when shipping batteries (transportation by road, rail, sea or air).
- g) **Remove the battery before storing or transporting the tool.**
- h) **Avoid short circuiting the battery terminals. Before inserting the battery in the tool, make sure that the battery terminals and the terminals in the tool are free from foreign objects.** Short circuiting the battery terminals presents a risk of fire, explosion and chemical burns.
- i) **Do not charge or continue to use damaged batteries (e.g. batteries with cracks, broken parts, bent or pushed-in and/or pulled-out contacts).**
- j) If the battery is too hot to touch it may be defective. **Place the tool in a location where it can be kept under observation, well away from flammable materials, and allow it to cool down. Contact Hilti Service after the battery has cooled down.**

4.2.4 Electrical safety

Before beginning work, check the working area (e.g. using a metal detector) to ensure that no concealed electric cables or gas and water pipes are present. External metal parts of the power tool may become live, for example, when an electric cable is damaged accidentally. This presents a serious risk of electric shock.

5 Before use

5.1 Charging the battery

For further information about battery charging, read the operating instructions for the battery charger.

5.2 Inserting the battery

CAUTION

Before fitting the battery, check that the cordless impact screwdriver is switched off and that the safety lock is engaged (forward/reverse switch in the middle position).

1. Push the battery into the cordless impact screwdriver from the front until it is heard to engage with a click.

NOTE The charge status display LEDs may light briefly while the battery is being fitted to the cordless impact screwdriver.

2. **CAUTION A falling battery may present a risk of injury to yourself and others.**

Check that the battery is seated securely.

5.3 Removing the battery 3

1. Press the release button.
2. Pull the battery out of the cordless impact screwdriver towards the front.

en

5.4 Belt hook (accessory) 4

CAUTION

Check that the belt hook is fitted securely before beginning work.

The belt hook can be used to attach the cordless impact screwdriver to a belt worn close to the body. The belt hook can also be fitted to the other side of the power tool for use by left-handed persons.

1. Remove the battery from the cordless impact screwdriver.
2. Insert the belt hook in the fitting provided.
3. Secure the belt hook with the two screws.

6 Operation

6.1 Setting forward or reverse rotation 5

The forward / reverse switch is used to select the direction of rotation of the drive spindle. An interlock prevents switching while the motor is running. When the forward / reverse switch is in the middle position the control switch is locked.

Push the forward / reverse switch to the left.

The tool is set to forward rotation.

Push the forward / reverse switch to the right.

The tool is set to reverse rotation.

6.2 Switching on / off

Speed of rotation can be increased smoothly up to maximum speed by pressing the control switch slowly.

NOTE

If the cordless impact screwdriver switches itself off automatically due to overloading or overheating, release the control switch and wait until the tool has cooled down. The tool can subsequently be switched on again by pressing the control switch.

6.3 Changing bits

CAUTION

Wear protective gloves when changing insert tools as the insert tools get hot during use.

NOTE

The power tool is equipped with a 1/4" hex. socket with locking sleeve that accepts various accessories such as drill bits, screwdriving bits and bit holders.

Check that the connection end of the accessory is clean. Clean the connection end if necessary.

6.3.1 Fitting a bit 6

1. Remove the battery from the cordless impact screwdriver.
2. Push the locking sleeve on the hex. socket forward and hold it securely in this position.
3. Push the bit into the hex. socket as far as it will go and then release the locking sleeve.
4. Check that the bit is held securely.

6.3.2 Removing the bit 7

1. Remove the battery from the cordless impact screwdriver.
2. Push the locking sleeve on the hex. socket forward and hold it securely in this position.
3. Pull the bit out of the hex. socket and then release the locking sleeve.

7 Care and maintenance

WARNING

Repairs to the electrical section of the power tool may be carried out only by trained electrical specialists.

7.1 Care of the cordless impact screwdriver

CAUTION

Keep the power tool, especially its grip surfaces, clean and free from oil and grease. Do not use cleaning agents which contain silicone.

Never operate the cordless impact screwdriver when the ventilation slots are blocked. Clean the ventilation slots carefully using a dry brush.

Do not permit foreign objects to enter the interior of the cordless impact screwdriver.

Clean the outside of the cordless impact screwdriver at regular intervals with a slightly damp cleaning cloth. Do not use a spray, steam pressure cleaning equipment or running water for cleaning. This may negatively affect the electrical safety of the cordless impact screwdriver.

7.2 Battery care

In order to achieve maximum battery life, stop drawing power from the battery as soon as a significant drop in battery performance is noticed.

NOTE

If use continues, further battery discharge will be stopped automatically before the battery cells suffer damage.

Store the batteries in a cool, dry place.

8 Troubleshooting

If the fault you are experiencing is not listed or the recommended remedial measures do not successfully solve the problem, please return the tool to Hilti Service.

Fault	Possible cause	Remedy
The power tool doesn't run.	The battery is discharged or is not pushed all the way in.	The battery must be heard to engage with a click or, respectively, needs to be charged.
The on / off switch can't be pressed, i.e. the switch is locked.	The forward / reverse switch is in the middle position (transport lock engaged).	Push the forward / reverse switch to the left or right.
Running speed suddenly drops considerably.	The battery is discharged.	Change the battery and charge the empty battery.
The battery runs down more quickly than usual.	Very low ambient temperature.	Allow the battery to warm up slowly to room temperature.
The battery doesn't engage with an audible click.	The retaining lugs on the battery are dirty.	Clean the retaining lugs and push the battery in until it engages. Contact Hilti Service if the problem persists.

Fault	Possible cause	Remedy
The power tool or the battery gets very hot.	Electrical fault.	Switch the tool off immediately, remove the battery and contact Hilti Service.
	The power tool has been overloaded (application limits exceeded).	Use the right power tool for the job (don't use a low-powered tool for heavy work).

9 Disposal

CAUTION

Improper disposal of the equipment may have serious consequences: the burning of plastic components generates toxic fumes which may present a health hazard. Batteries may explode if damaged or exposed to very high temperatures, causing poisoning, burns, acid burns or environmental pollution. Careless disposal may permit unauthorized and improper use of the equipment. This may result in serious personal injury, injury to third parties and pollution of the environment.

CAUTION

Dispose of defective batteries right away. Keep them out of reach of children. Do not disassemble or incinerate the batteries.

CAUTION

Batteries that have reached the end of their life must be disposed of in accordance with national regulations or returned to Hilti.



Most of the materials from which Hilti power tools or appliances are manufactured can be recycled. The materials must be correctly separated before they can be recycled. In many countries, Hilti has already made arrangements for taking back your old power tools or appliances for recycling. Please ask your Hilti customer service department or Hilti representative for further information.

10 Manufacturer's warranty - tools

Please contact your local Hilti representative if you have questions about the warranty conditions.

en

HILTI

Hilti Corporation

LI-9494 Schaan

Tel.: +423/234 21 11

Fax: +423/234 29 65

www.hilti.com

Hilti = registered trademark of Hilti Corp., Schaan
Pos. 3 | 20141007

