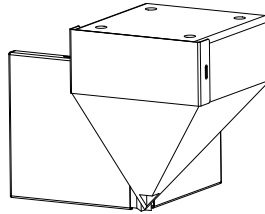


Corner Fascia Mount Bracket Installation Instructions

Tools required:

- Drill & 3/16" drill bit
- 7/16" & 9/16" Ratchet & sockets
- 7/16" wrench
- Phillips screwdriver
- Level
- Measuring tape
- Hammer
- Wood saw
- Pencil
- Safety glasses
- Appropriate safety harness



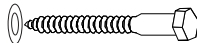
Blocking material required:

- 2" x 8" lumber
- 3 1/4" common spiral nails

Fasteners included:



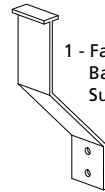
4 - Machine bolts with washers & locking nuts



8 - Lag bolts with washers



2 - Wood screws



1 - Fascia Mount Base Rail Support

⚠ WARNING No representation or warranty is given that your particular application of these products complies with relevant building codes or that the fasteners provided or used are appropriate for your application. Therefore consult with professionals and local building officials before beginning work: (i) to ensure compliance with relevant building codes for your application and for your proposed use of fasteners; (ii) to ensure the integrity of the structural components in connection with which these products are to be used; (iii) to identify appropriate safety gear that is to be used during installation such as a safety harness when working above ground; (iv) to ensure that the work area is free from utilities, services and hazards; and, (v) to clarify any instructions or warnings that may not be clear. Work in a safe manner wearing protective gear such as gloves, eyewear, headwear, footwear and clothing. When using tools always comply with operation manuals and instructions. Metal and glass may have sharp edges and could fragment or splinter during or as a result of handling or cutting. Do not use these products in connection with any substance that is or may be harmful or corrosive to the products. Inspect and maintain these products and the structural components that they are used in connection with on a regular basis using professionals when appropriate.

No member of The Peak Group of Companies (as defined at www.peakproducts.com) shall be liable for any loss or damage resulting from the improper installation or use of this product. In the unlikely event that any member of The Peak Group of Companies becomes liable for any loss or damage, the aggregate liability shall be limited to the retail purchase price of the product.

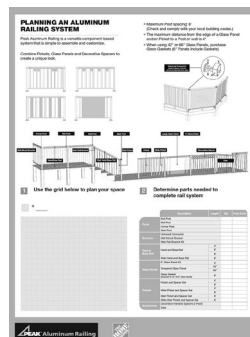
Peak® products and the materials associated therewith are protected by patents, designs, copyright and/or trademarks. All trademarks are used under license from Peak Innovations Inc. May be subject to patent(s) or patent(s) pending.

Made in China for The Peak Group of Companies P.O. Box 96060, Richmond, BC, Canada V7A 5J4
V2 © 2014 Peak Innovations Inc.



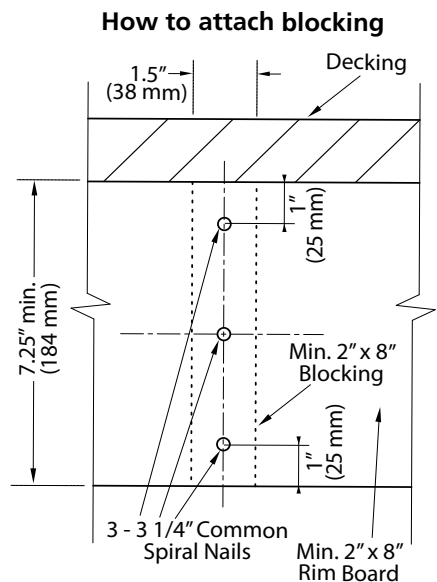
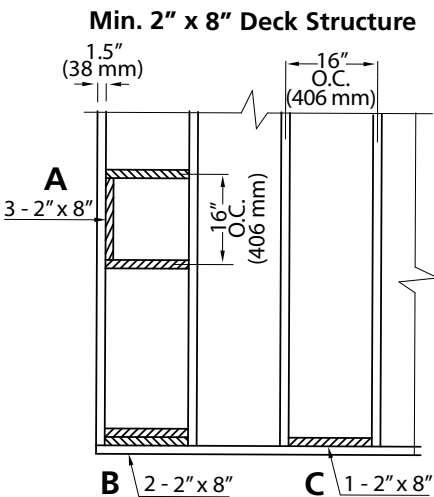
1. Determine the quantity of fascia mount brackets you will need using the Peak® Aluminum Railing Layout Planner. (Available in-store or at www.peakaluminumrailing.com)

⚠ IMPORTANT Follow maximum post spacing information on Layout Planner.

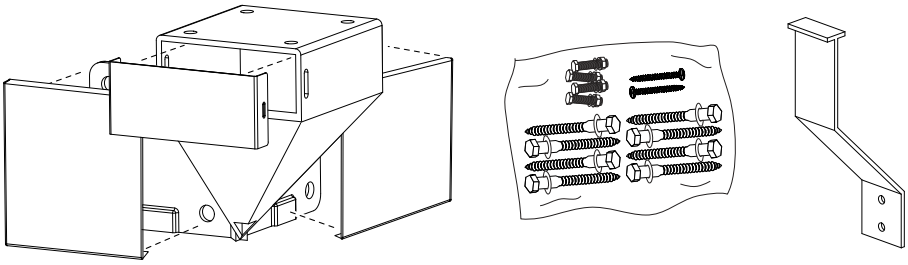


▲IMPORTANT Independent tests were conducted on a sample of fascia mount brackets installed on a wood deck test frame composed of Southern Yellow Pine. These fascia mount brackets were installed using the accompanying fasteners in accordance with these installation instructions (including the blocking patterns A, B, and C described herein) and were tested with a Peak® Aluminum Railing post attached. The installed fascia mount brackets and post sustained the live and factored horizontal concentrated load (applied at the top of the guard) requirements specified in section R301.5 of the 2012 International Residential Code. No assurance is given that the enclosed fascia mount bracket, when installed using the enclosed fasteners and with a Peak® Aluminum Railing post, will be able to sustain these live and factored horizontal concentrated load requirements if the manner of installation deviates in any way from the manner of installation described in these installation instructions or if the wood deck, to which the fascia mount bracket and post are installed, is composed of an inferior species of wood or the wood is in poor or deteriorated condition or if the fascia mount bracket is installed with a post that is not a Peak® Aluminum Railing post. Professional advice should be obtained to ensure that the enclosed fascia mount bracket and the Peak® Aluminum Railing post are installed in accordance with these installation instructions in every respect and that the wood deck, to which the fascia mount bracket and post are attached, is treated with alkaline copper quaternary (ACQ), is of suitable composition, condition and quality at the time of the installation, is constructed using Southern Yellow Pine and is properly and adequately maintained at all times after the installation.

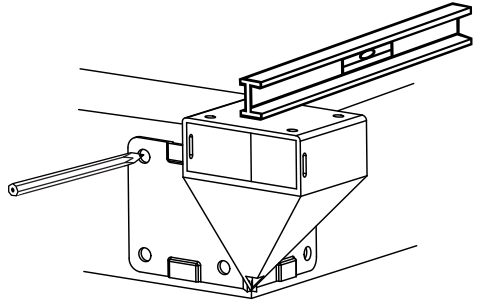
2. Add blocking to deck structure where fascia mount brackets will be attached, according to blocking patterns A, B, or C below.



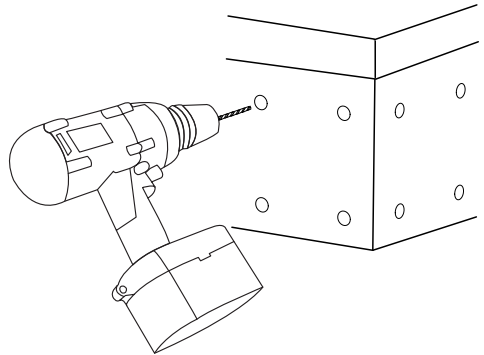
3. Remove the covers, fasteners and base rail support from the inside of the bracket.



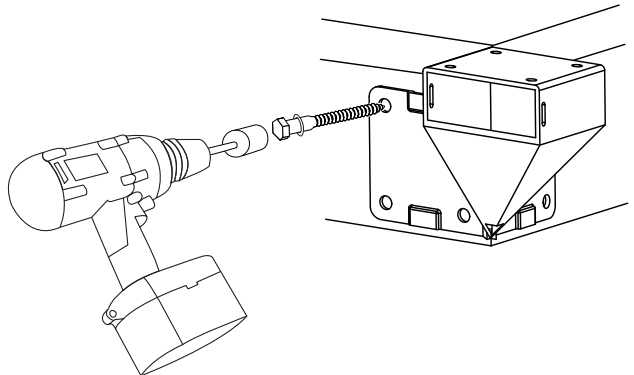
4. Starting at one end of the railing, hold the first fascia mount bracket in position ensuring that the top of the bracket is level with the deck surface. Mark the position of the 8 fastener holes on the fascia boards.



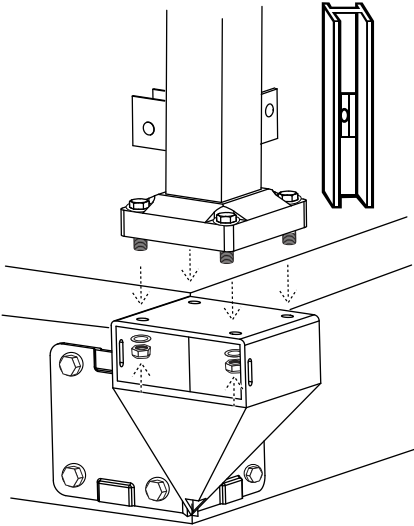
5. Remove the bracket and drill 3/16" pilot holes at the marked positions.



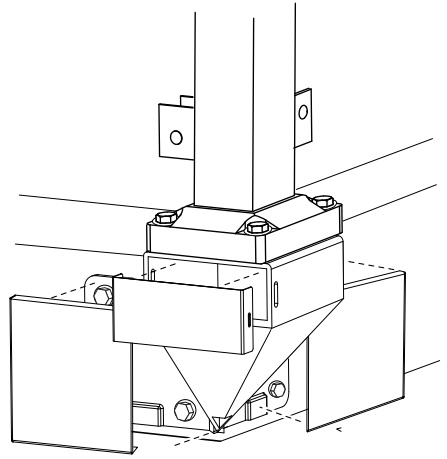
6. Place the bracket back into position and attach the bracket to the fascia boards using the 8 - 3/8" x 3" lag bolts supplied. Ensure that the top of the bracket is level and plumb (shim as necessary).



7. Attach the post to the fascia mount bracket using the 4 - 1/4" x 1 1/2" machine bolts, washers and locking nuts supplied. Ensure post is plumb (shim as necessary).

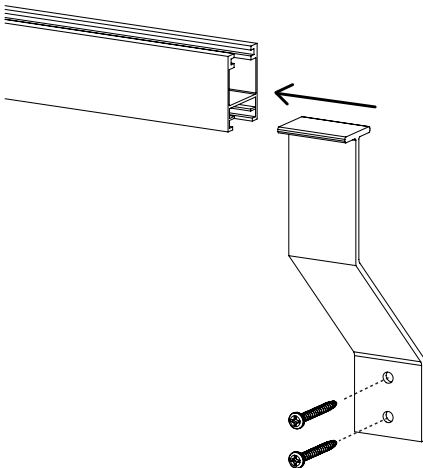


8. Install the covers on the bracket.



9. Attach remaining brackets to deck structure following steps 3-6 above.

▲IMPORTANT Use the Fascia Mount Base Rail Support when installing base rail(s).



10. Follow the Peak® Aluminum Railing Installation Guide (available in-store or at www.peakaluminumrailing.com) for the remainder of the installation.



Installation Guide

U.S. Version



Tools & Materials Needed

- Hacksaw or metal cutting saw
- Drill
- Drill bits: 1/8", 1/4", 5/32", 7/32"
- 3/8" socket or wrench
- Phillips screwdriver
- Measuring tape
- Non-corrosive exterior silicone caulking

All fasteners are included with each component.



Self-drilling screw



Phillips screw



Lag bolt



Connector Bolt

See WARNING on inside panel



www.peakaluminumrailing.com