

Broil King®

ASSEMBLY MANUAL & PARTS LIST - MANUEL DE MONTAGE & LISTE DE PIÈCES - MANUAL DE ARMADO Y LISTA DE PARTES

Broil King®
495051



Broil King®
496051



RETAIN FOR FUTURE REFERENCE - VEUILLEZ CONSERVER POUR REFERENCE ULTERIEURE - CONSERVER PARA FUTURAS CONSULTAS

Onward
MANUFACTURING COMPANY LIMITED
SINCE 1906
585 KUMPF DRIVE
WATERLOO, ONTARIO, CANADA
N2V 1K3

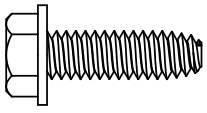

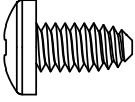
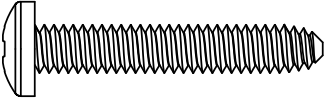
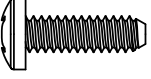
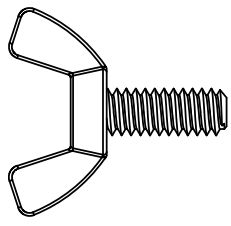
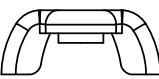
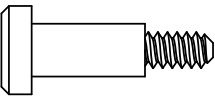
info@omcbbq.com
1-800-265-2150

11412296 REV.D 04/2019



HARDWARE INCLUDED / MATERIAL INCLUS / EQUIPOS INCLUIDO



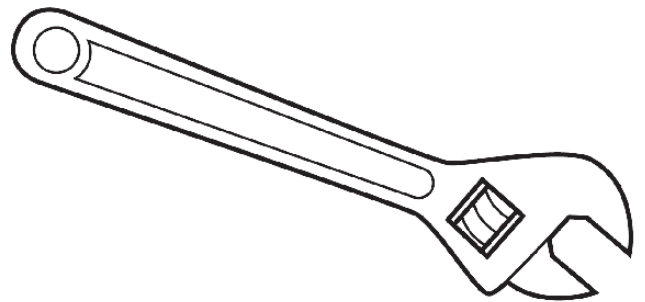
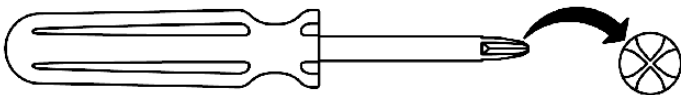
Y-12859S		X16	G01CH038		X2
Y-12865S		X13	Y-11560S		X2
Y-29304S		X4	Y-11698S		X2
S21061		X2			
63599-73		X2			



TOOLS REQUIRED / OUTILS NECESSAIRES / HERRAMIENTAS NECESARIAS

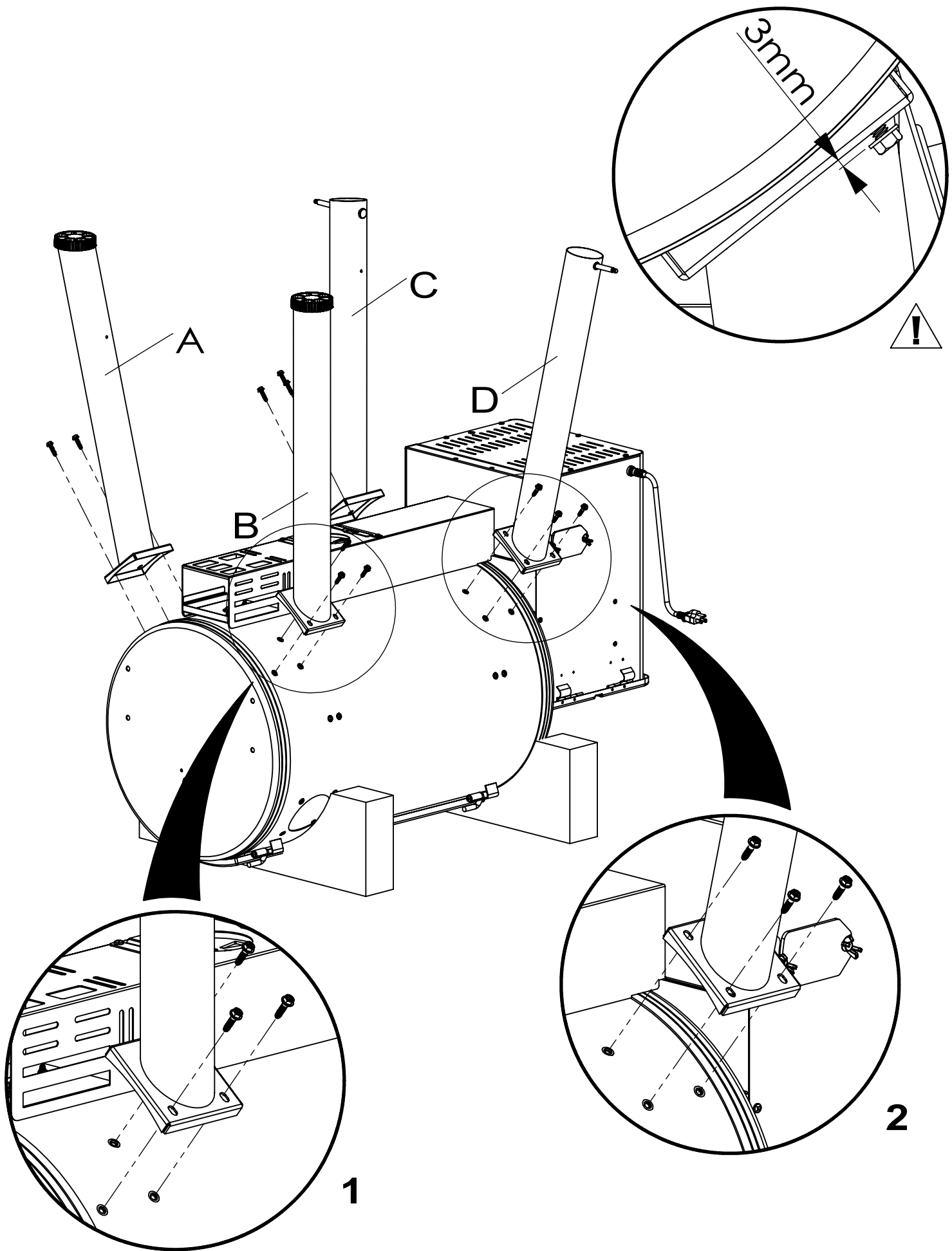
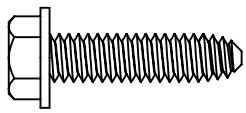


#3 PHILLIPS



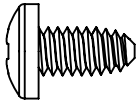
1

(12)

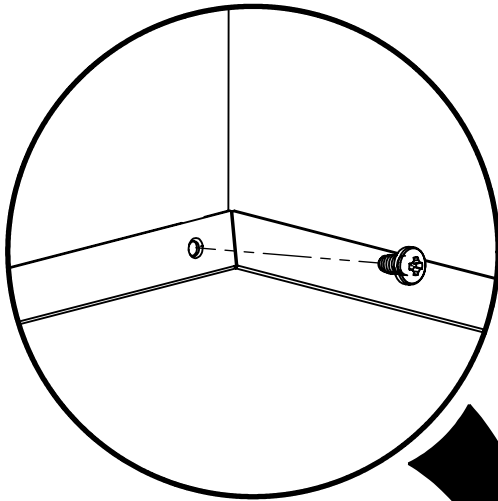
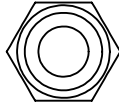


2

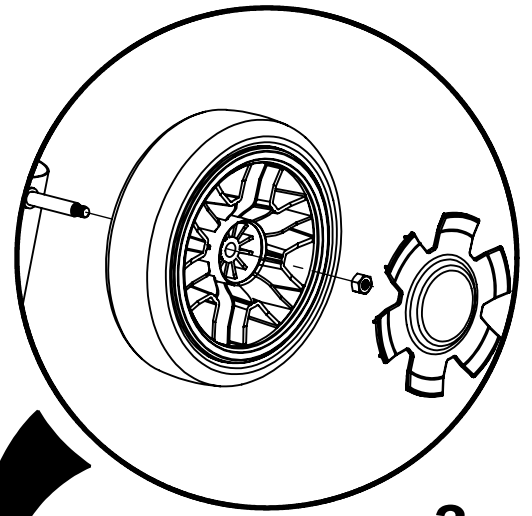
(4)



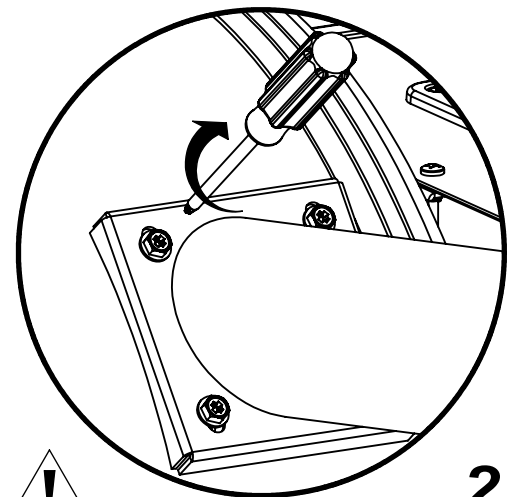
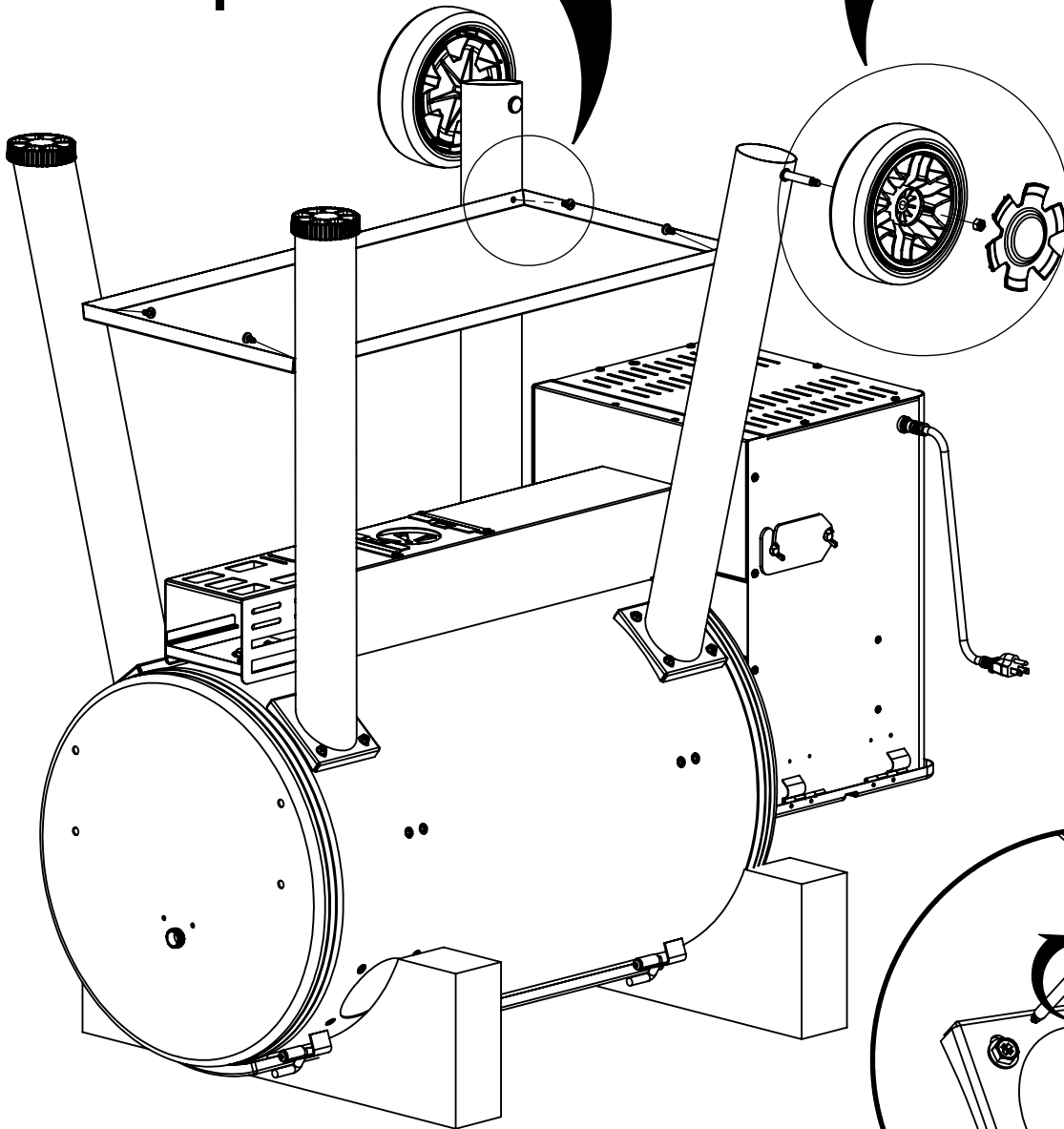
(2)



1

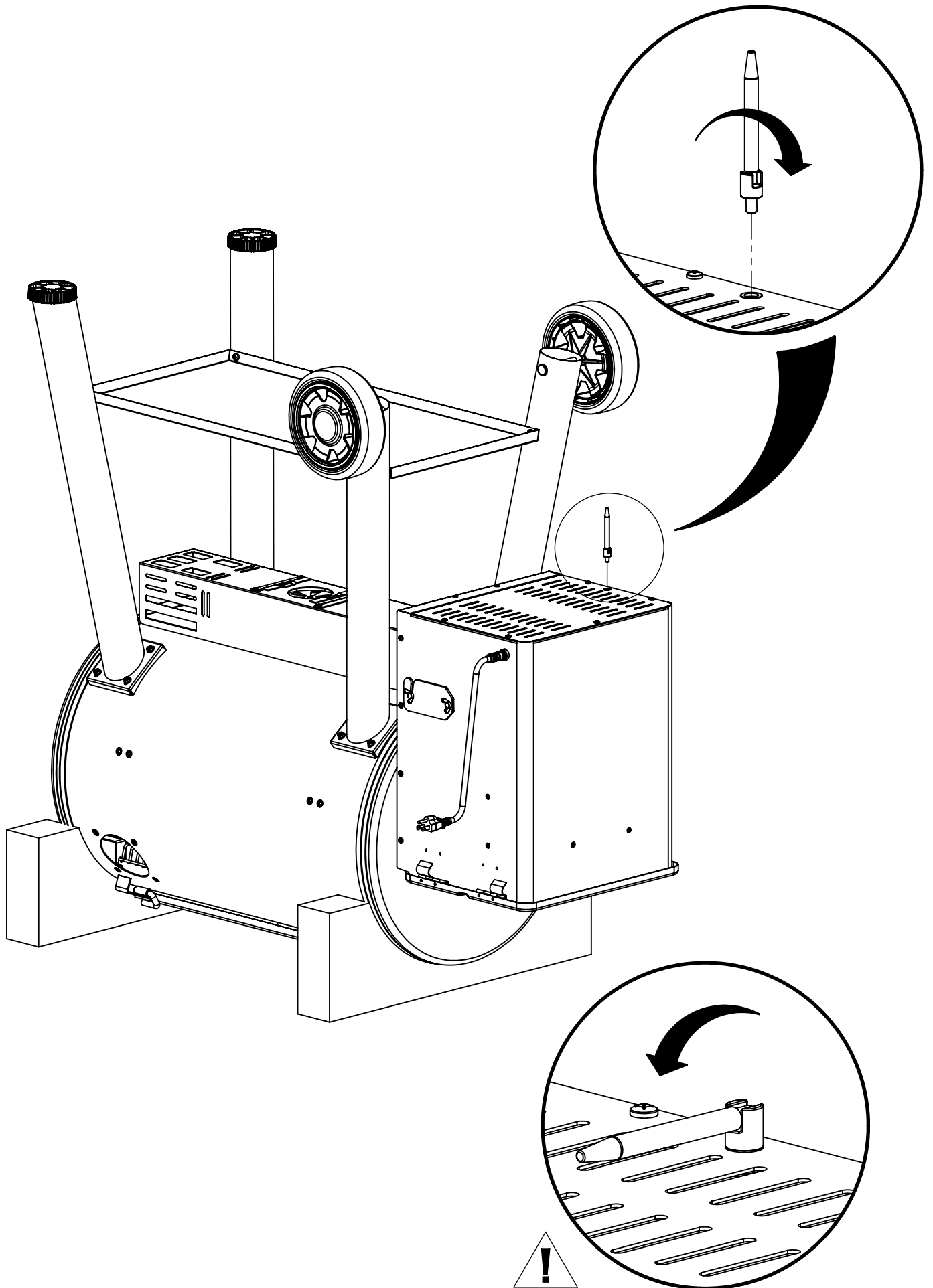


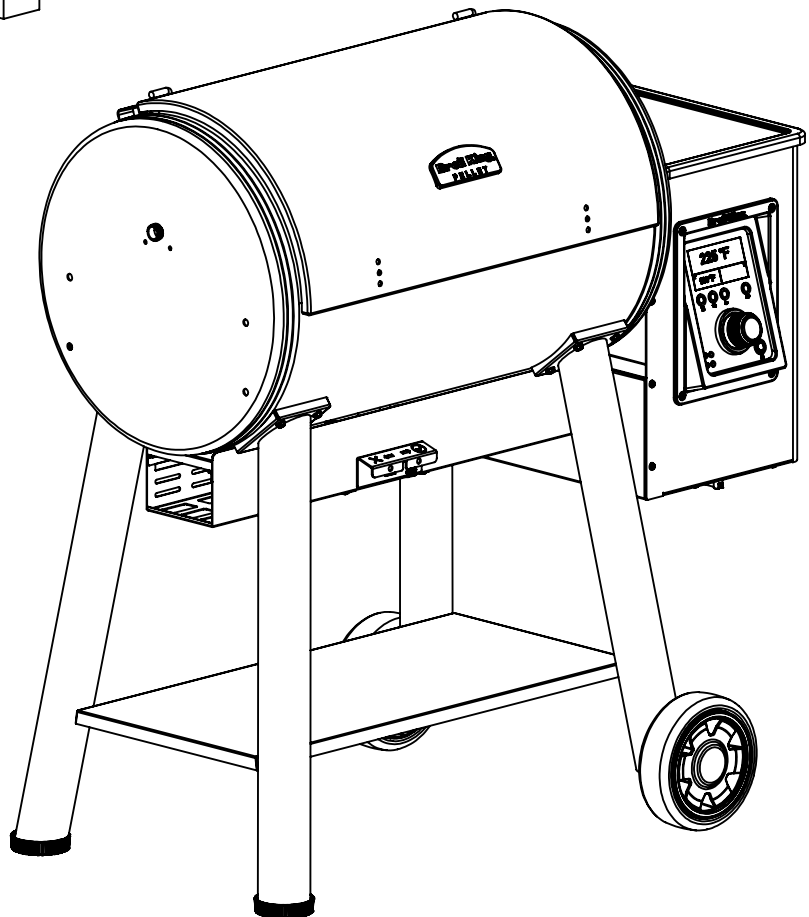
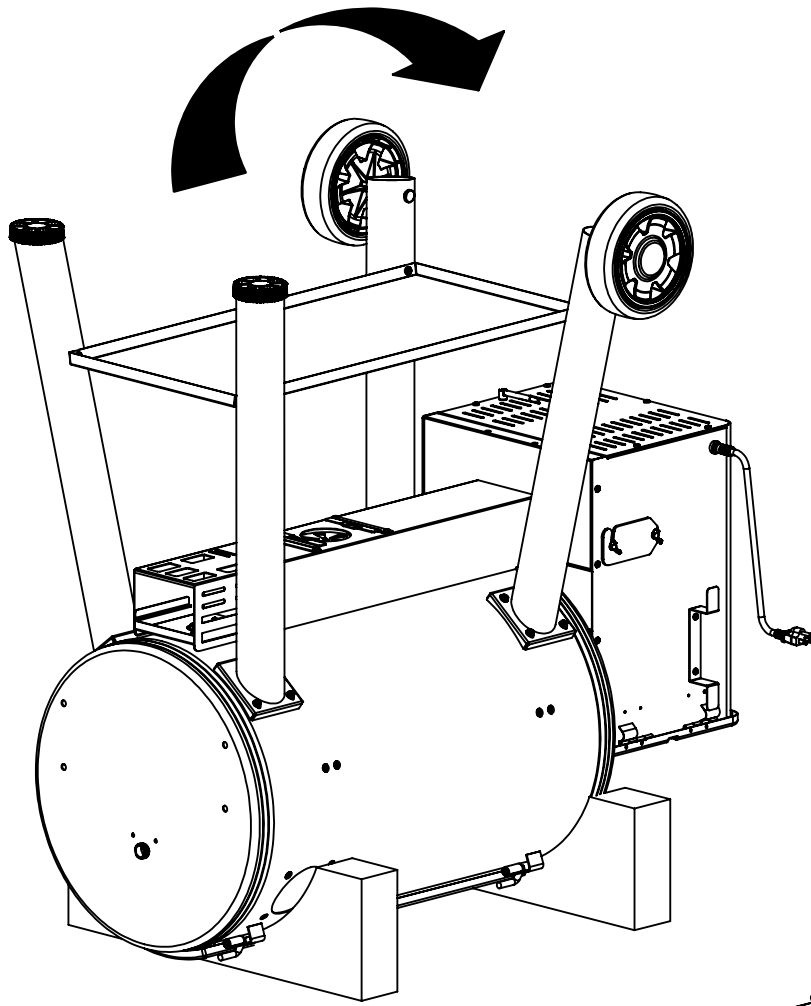
3



2

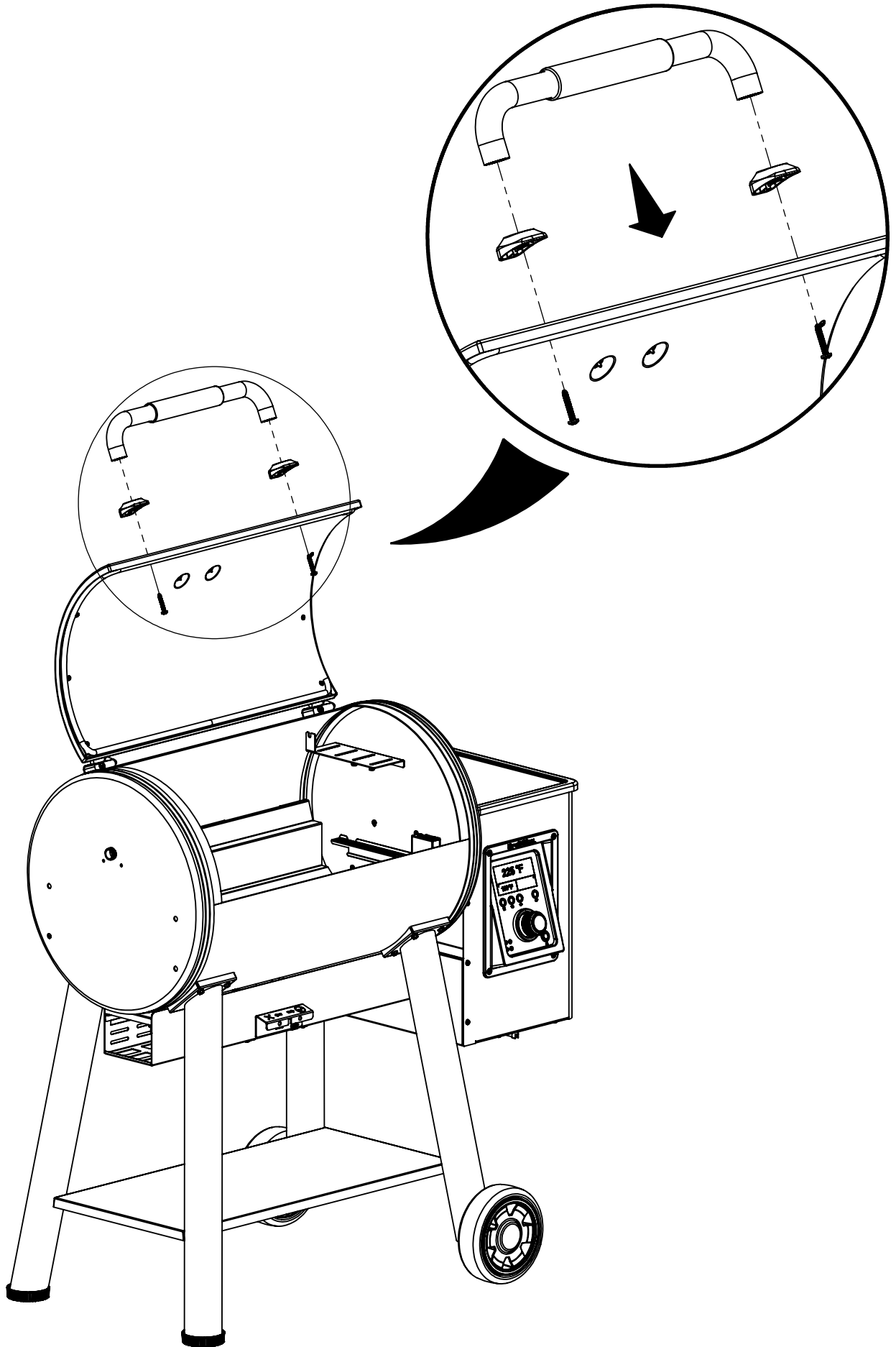
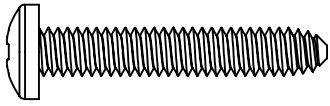
3





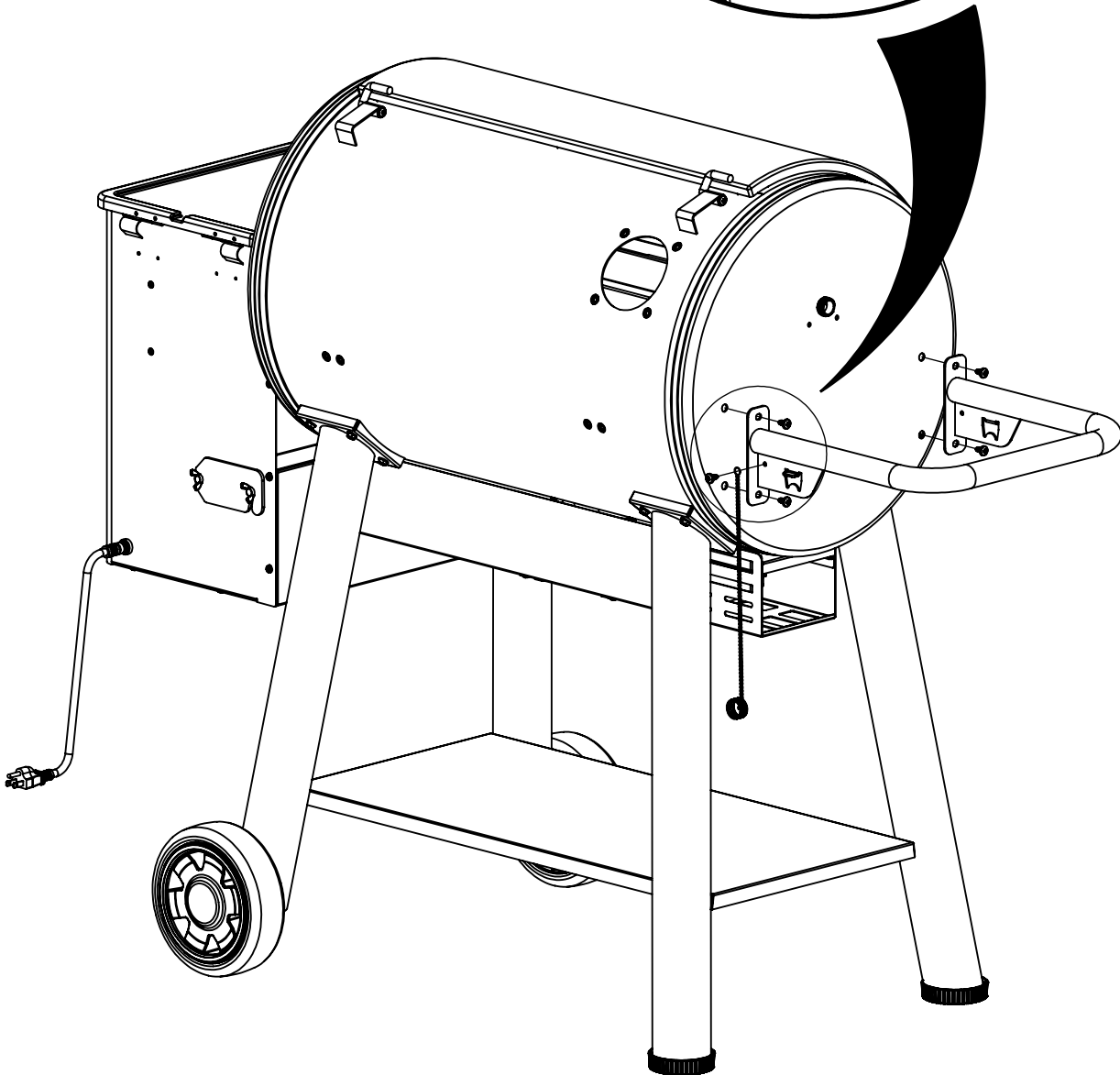
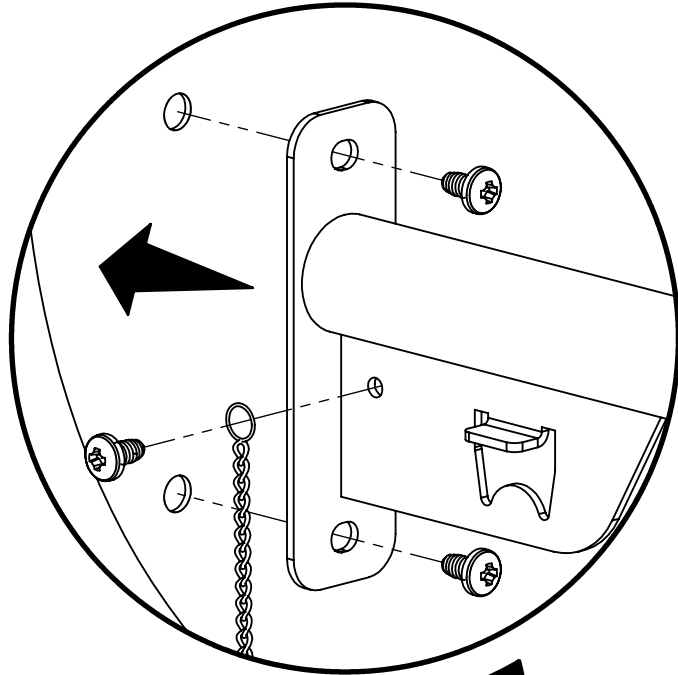
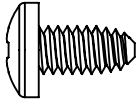
5

(2)

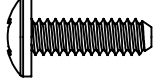


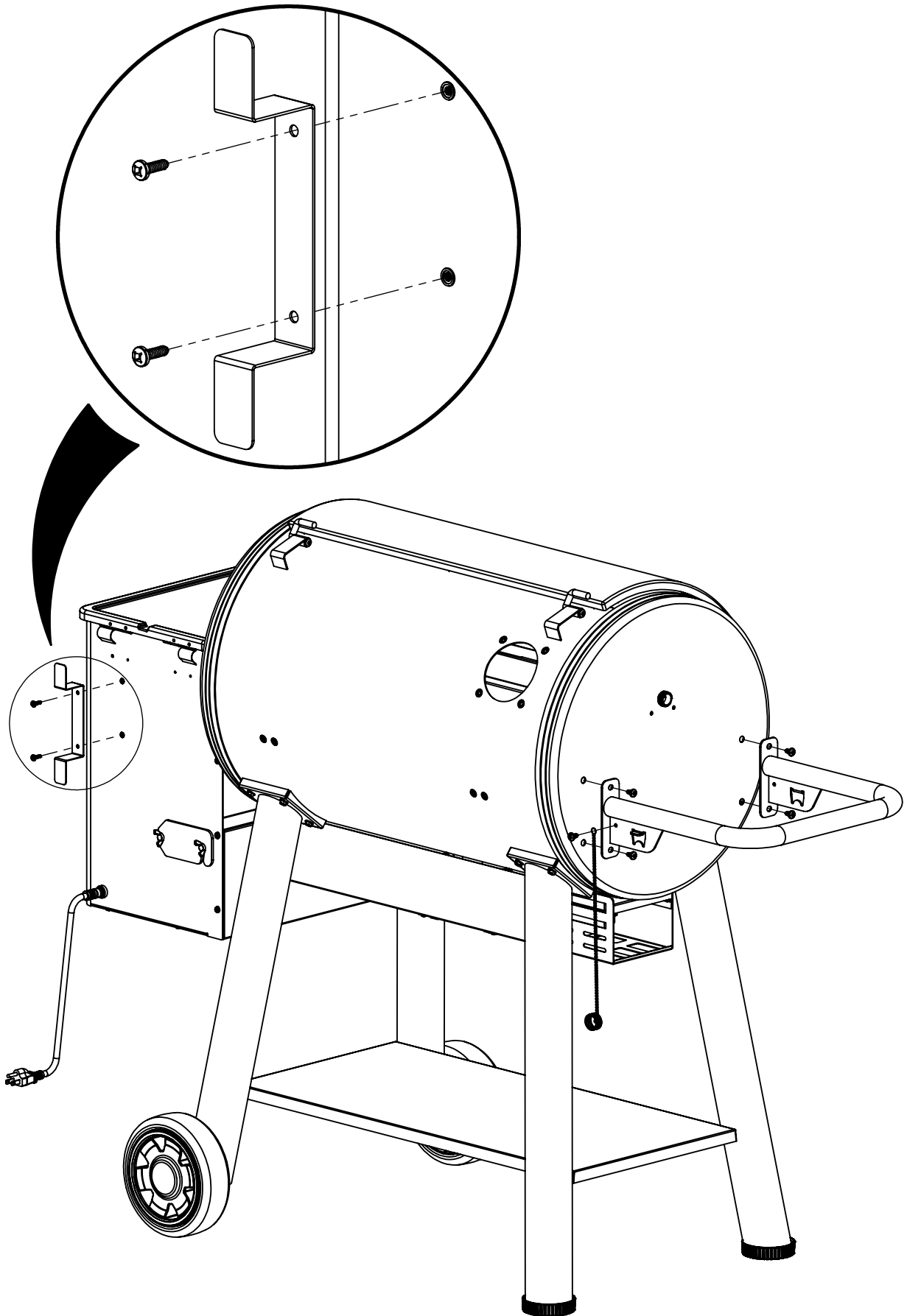
6

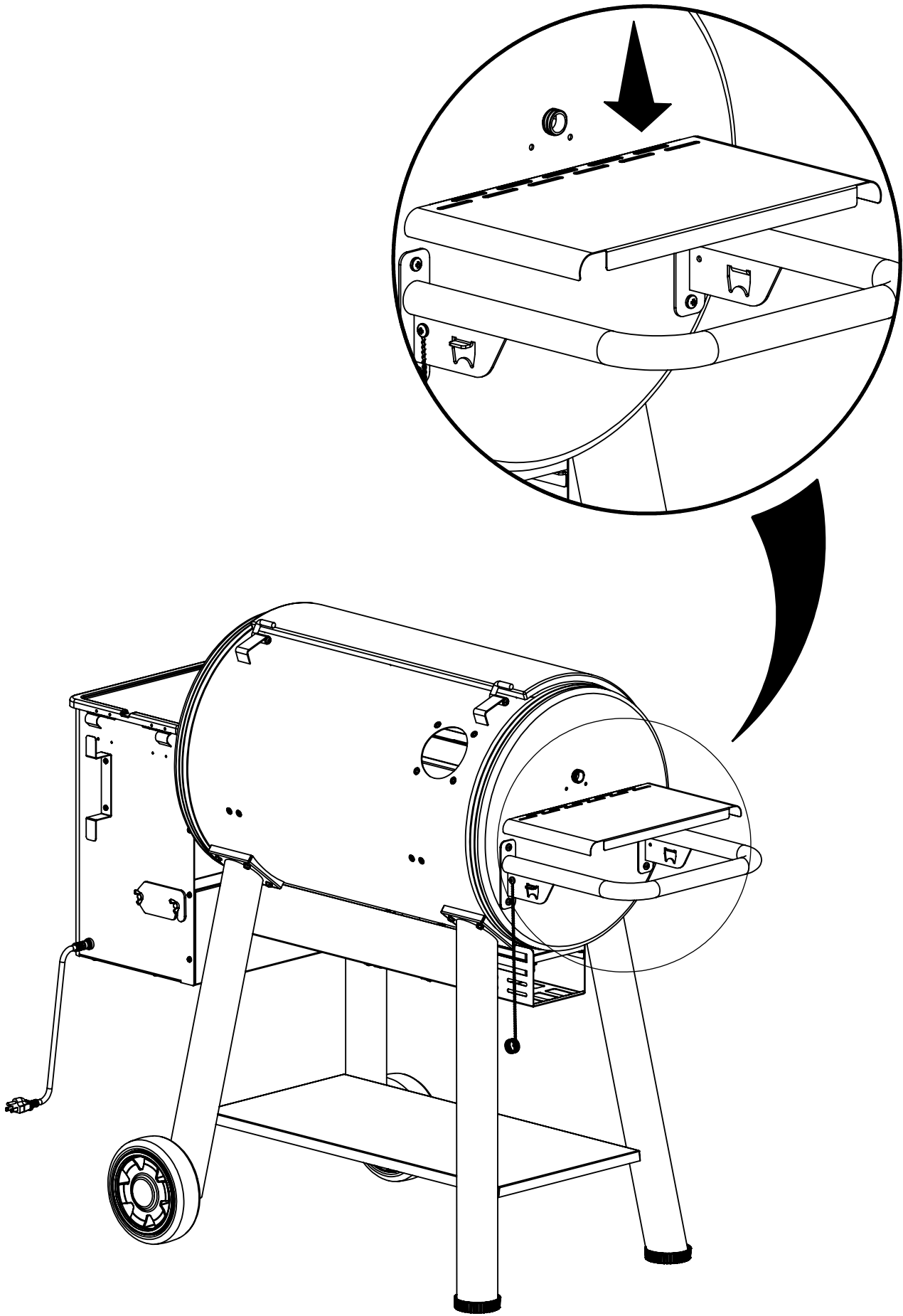
(5)



7

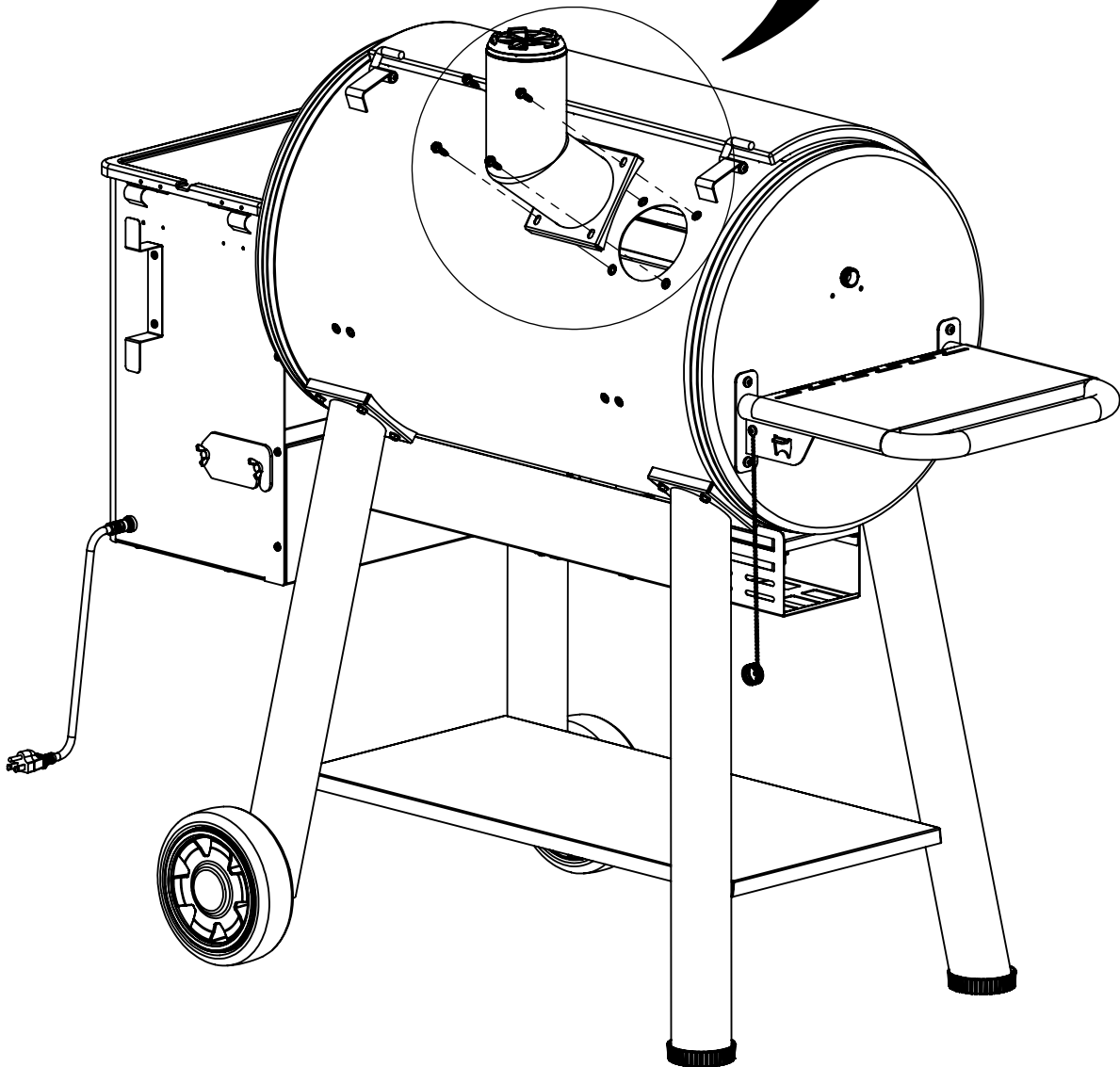
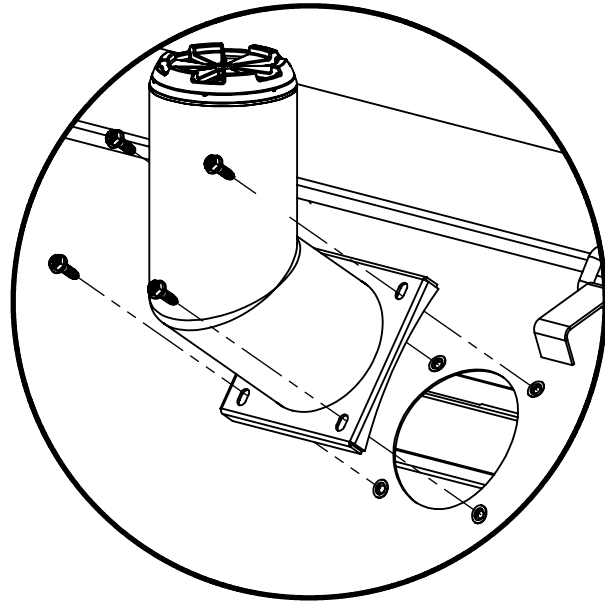
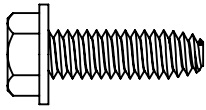
(2) 





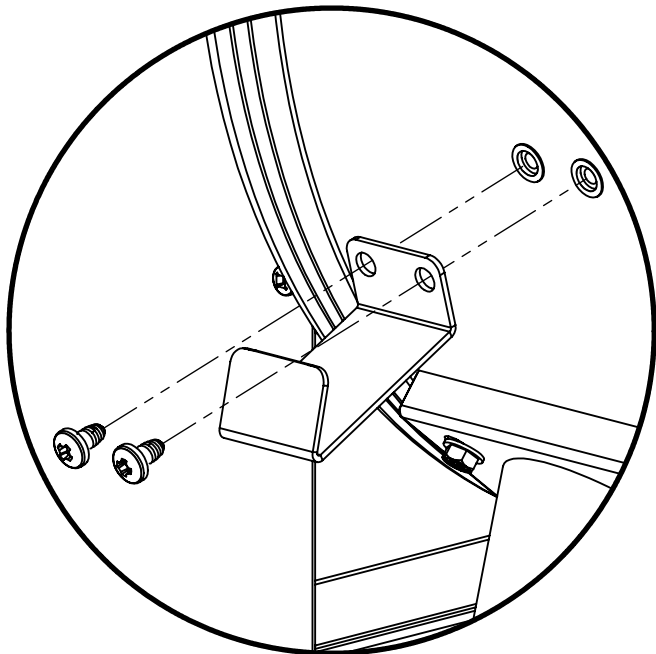
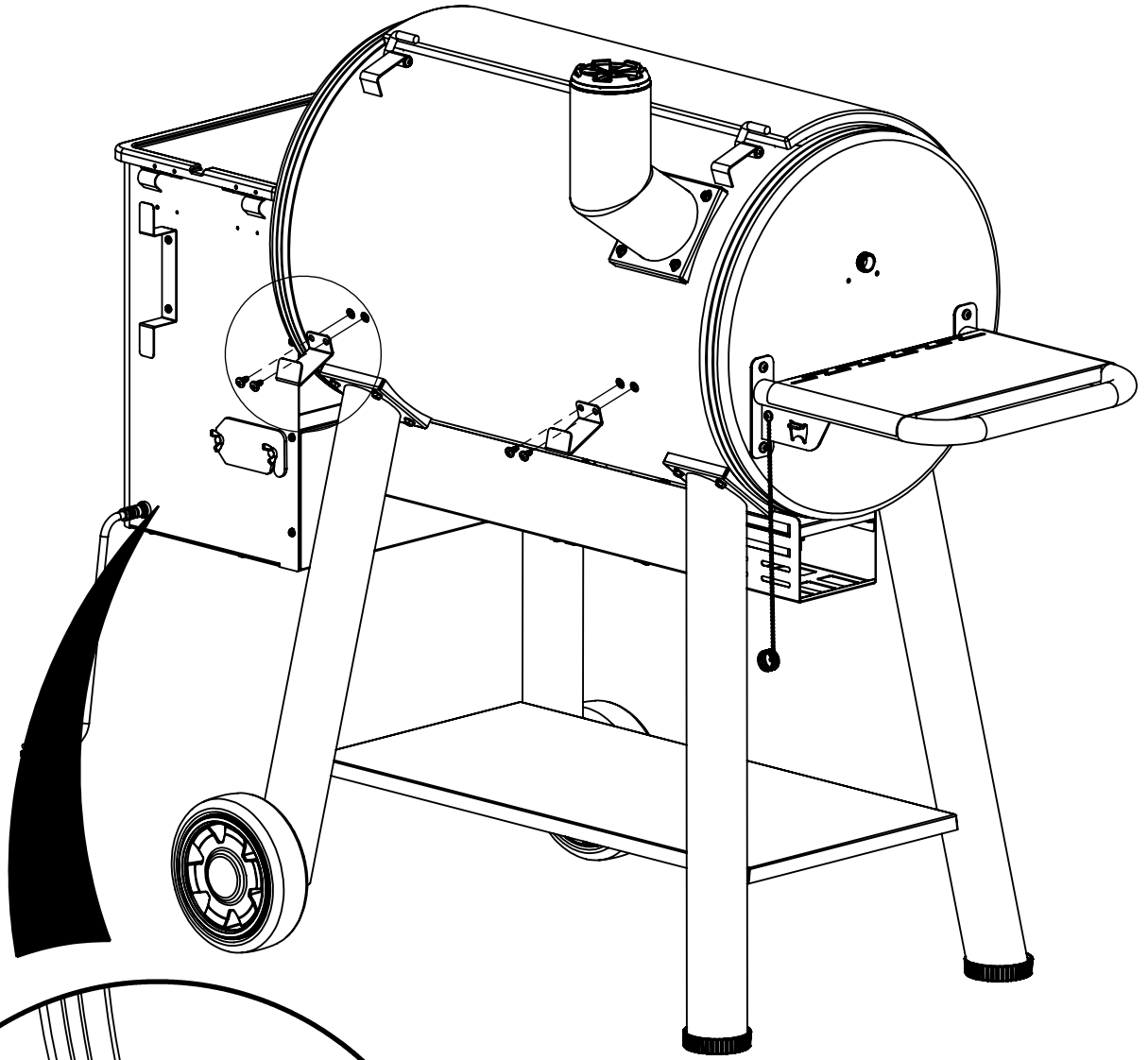
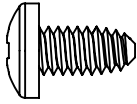
9

(4)



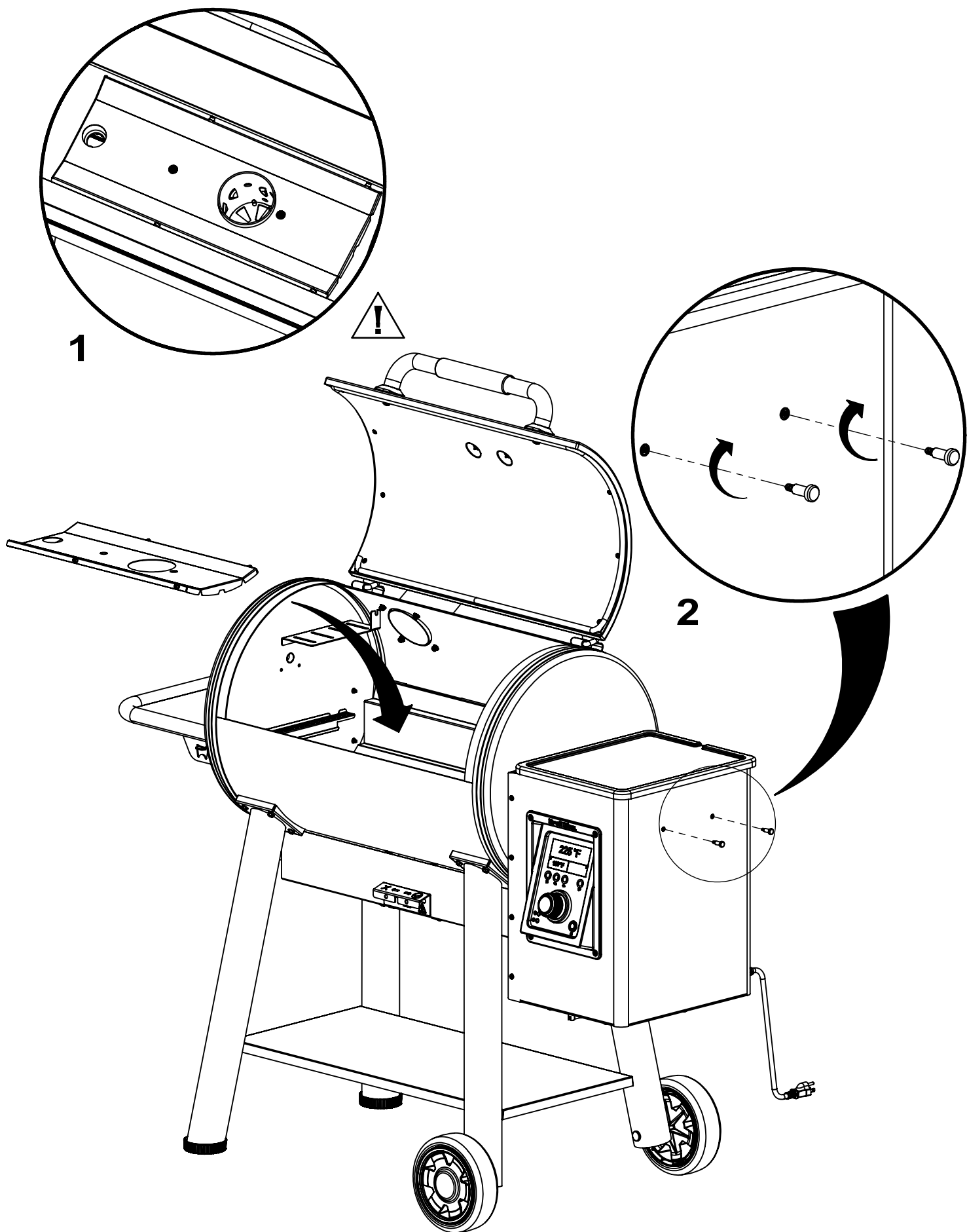
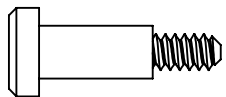
10

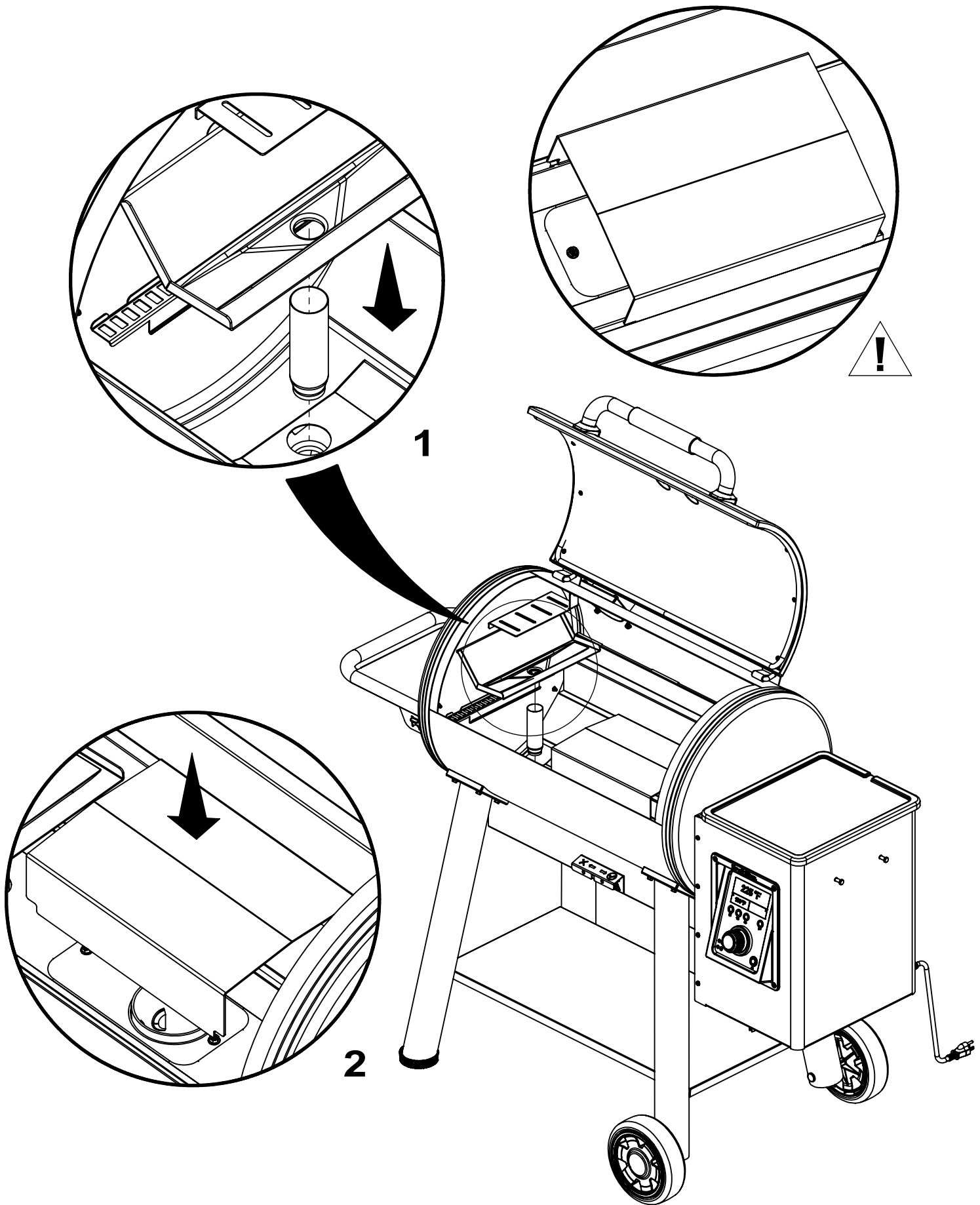
(4)

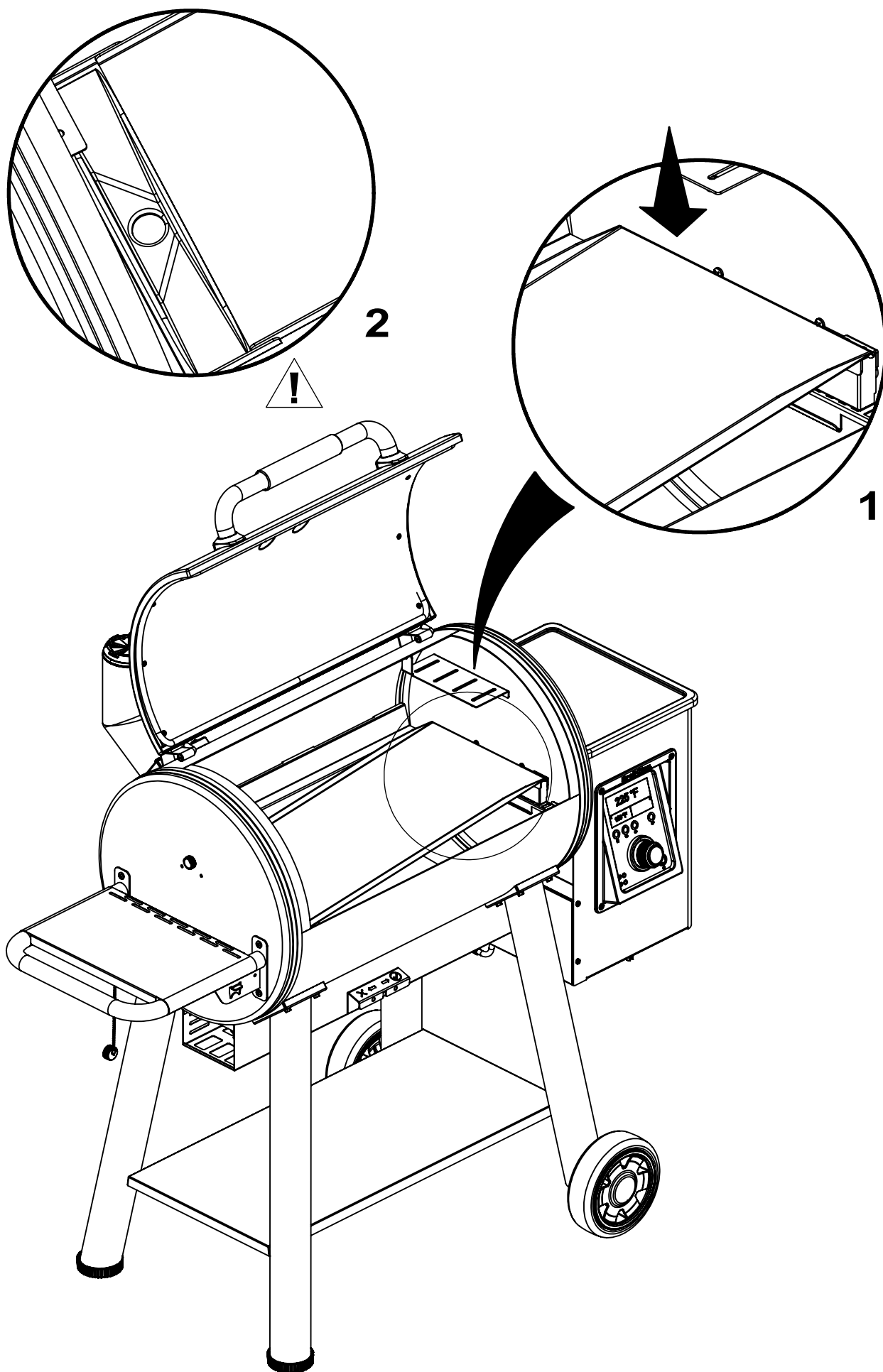


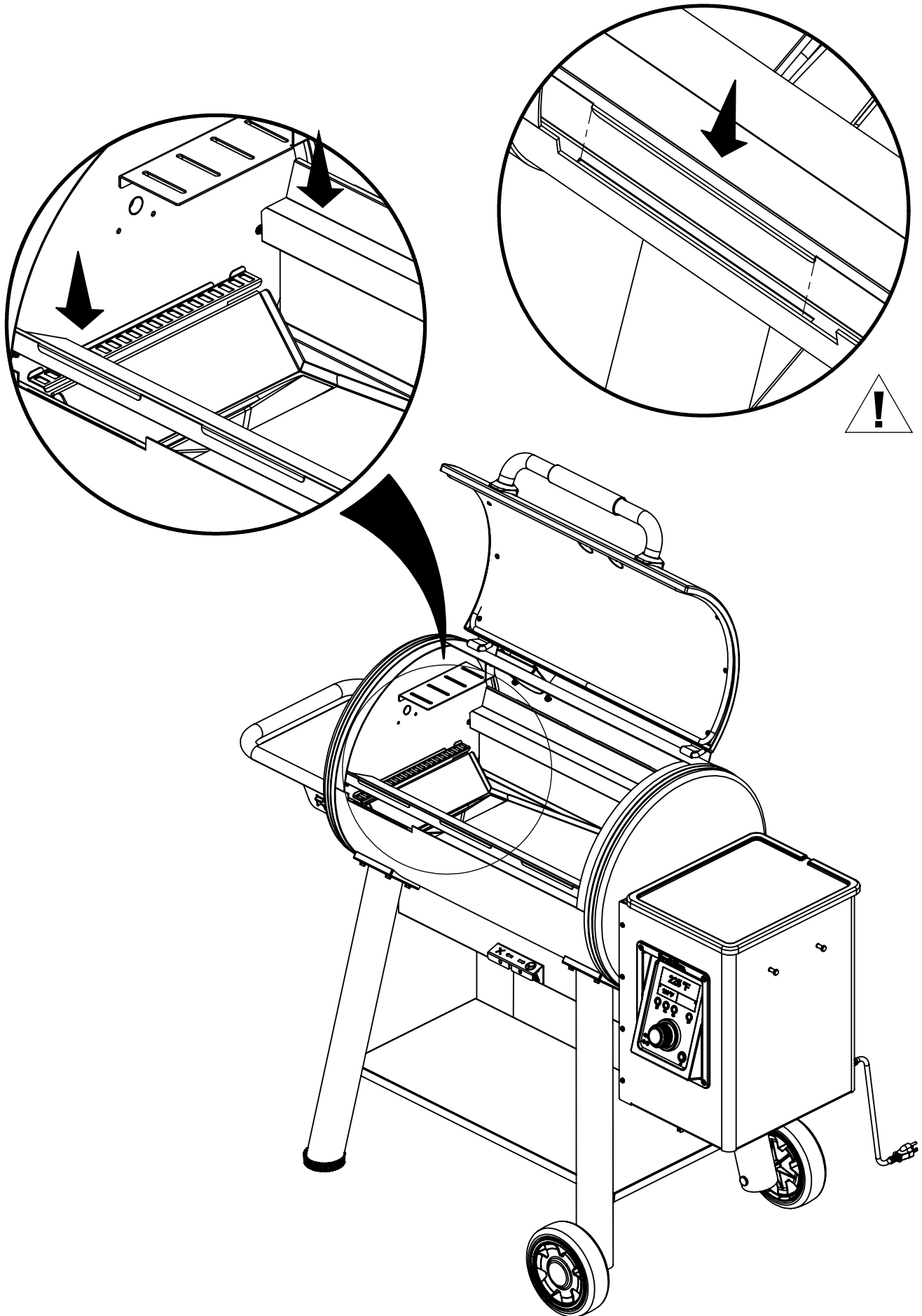
11

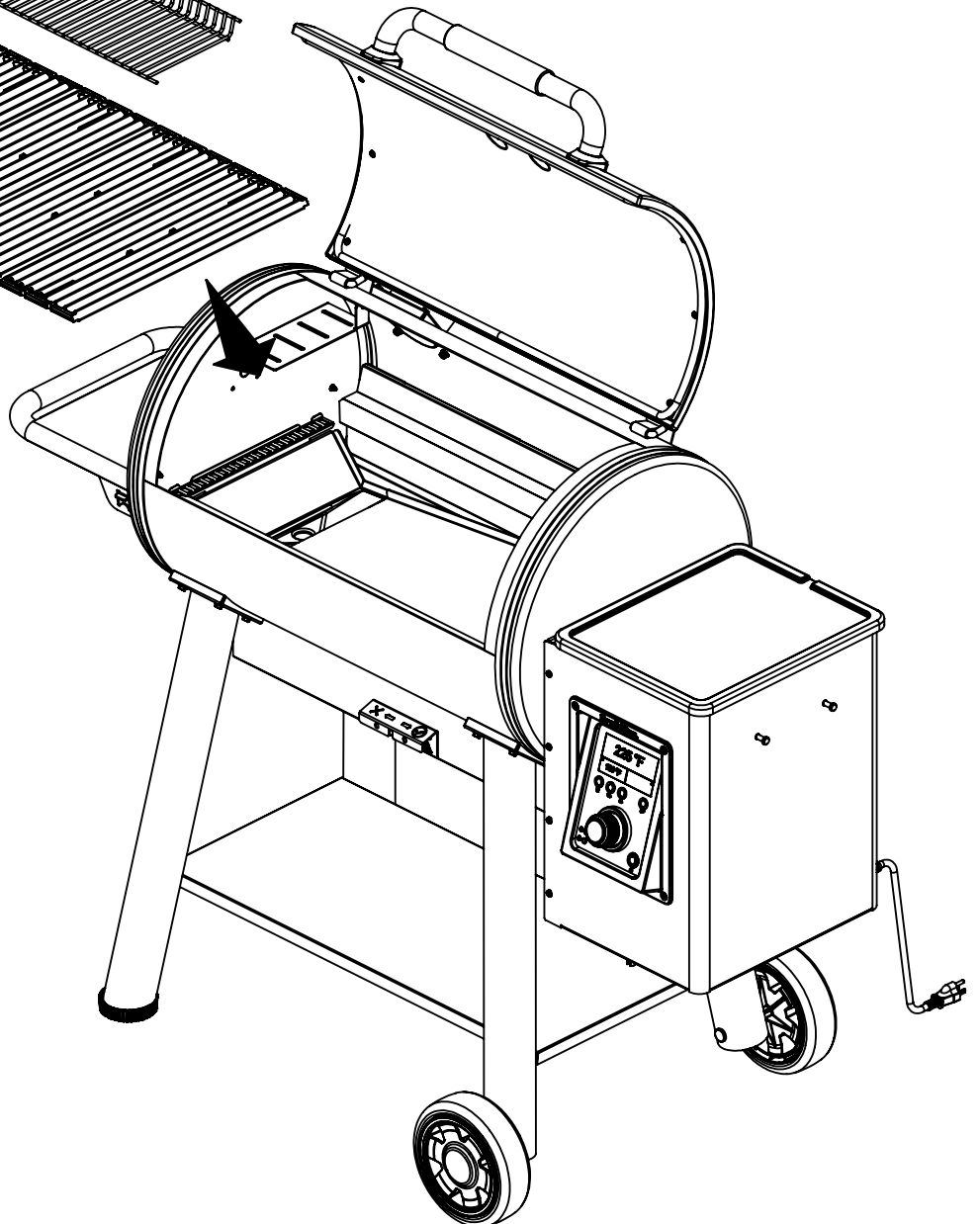
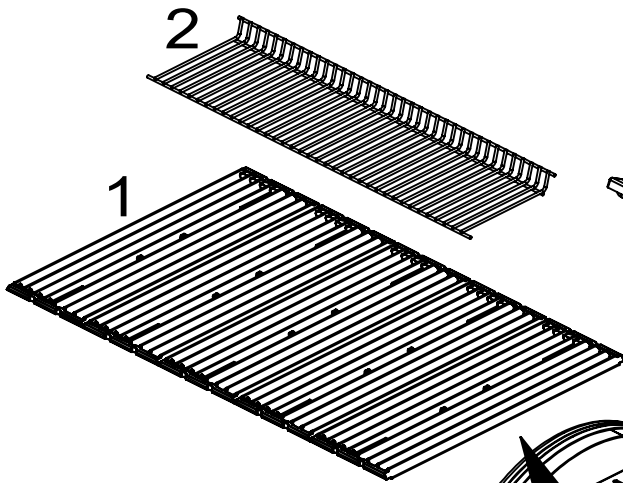
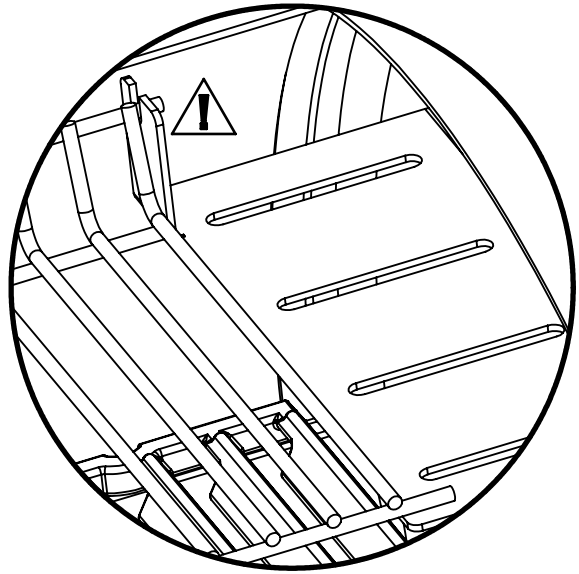
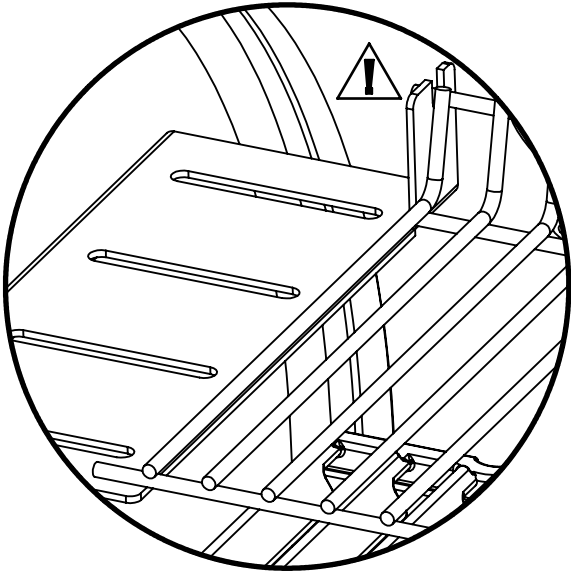
(2)

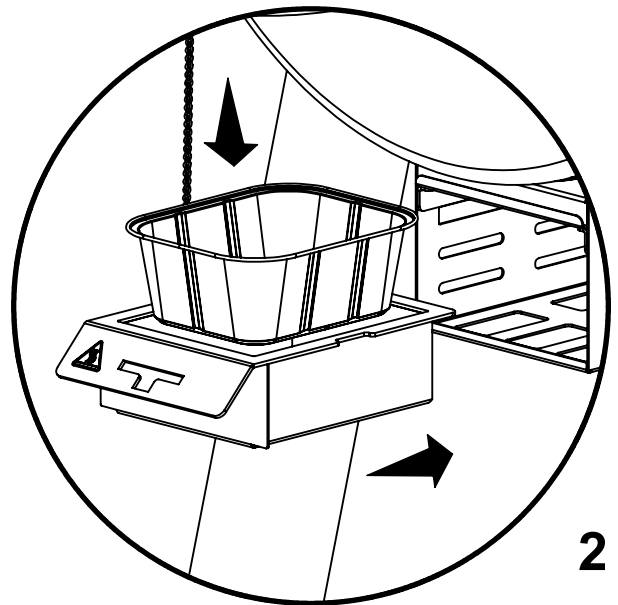
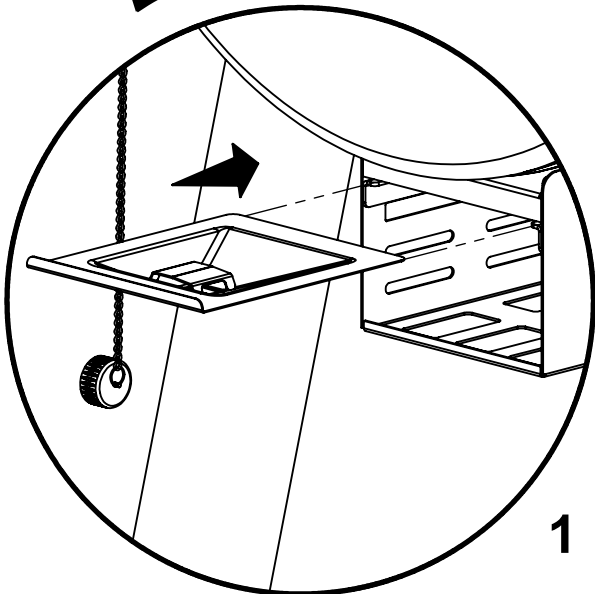
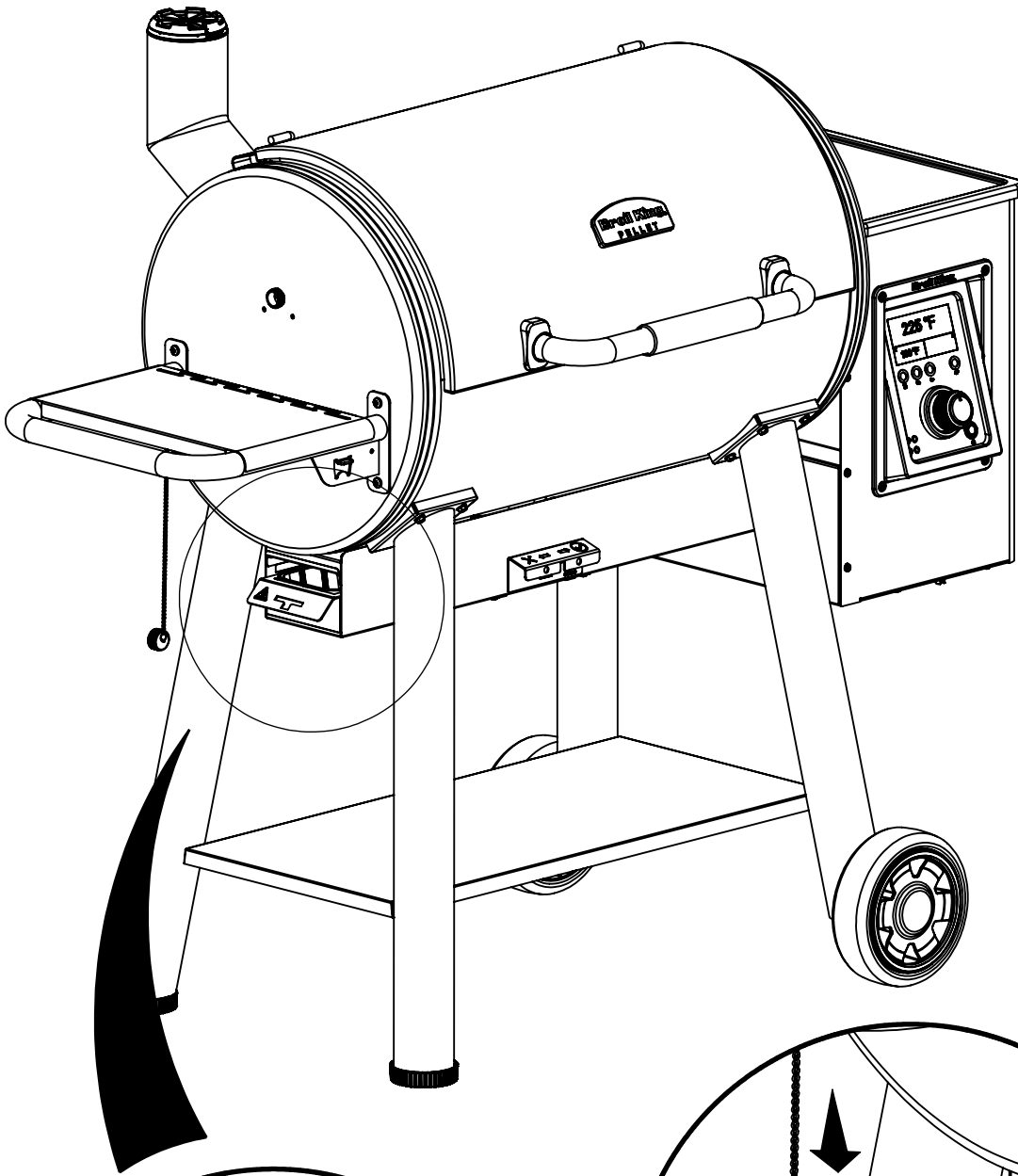


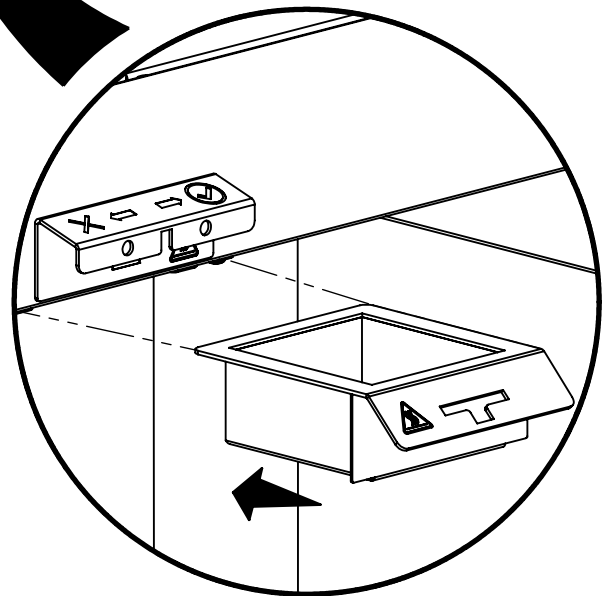
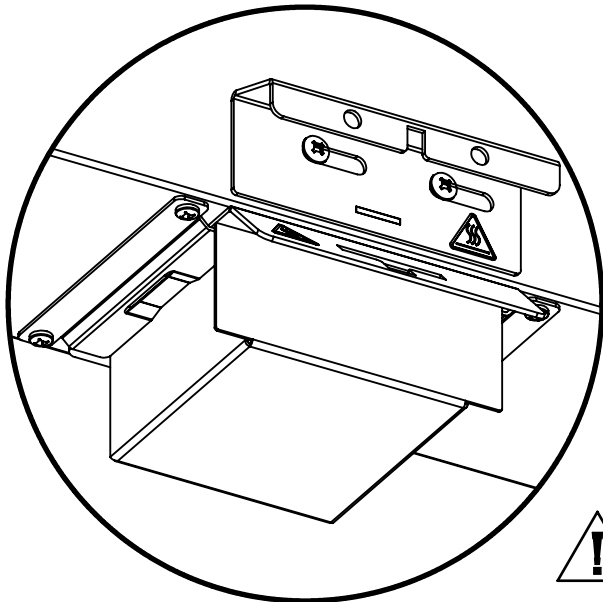
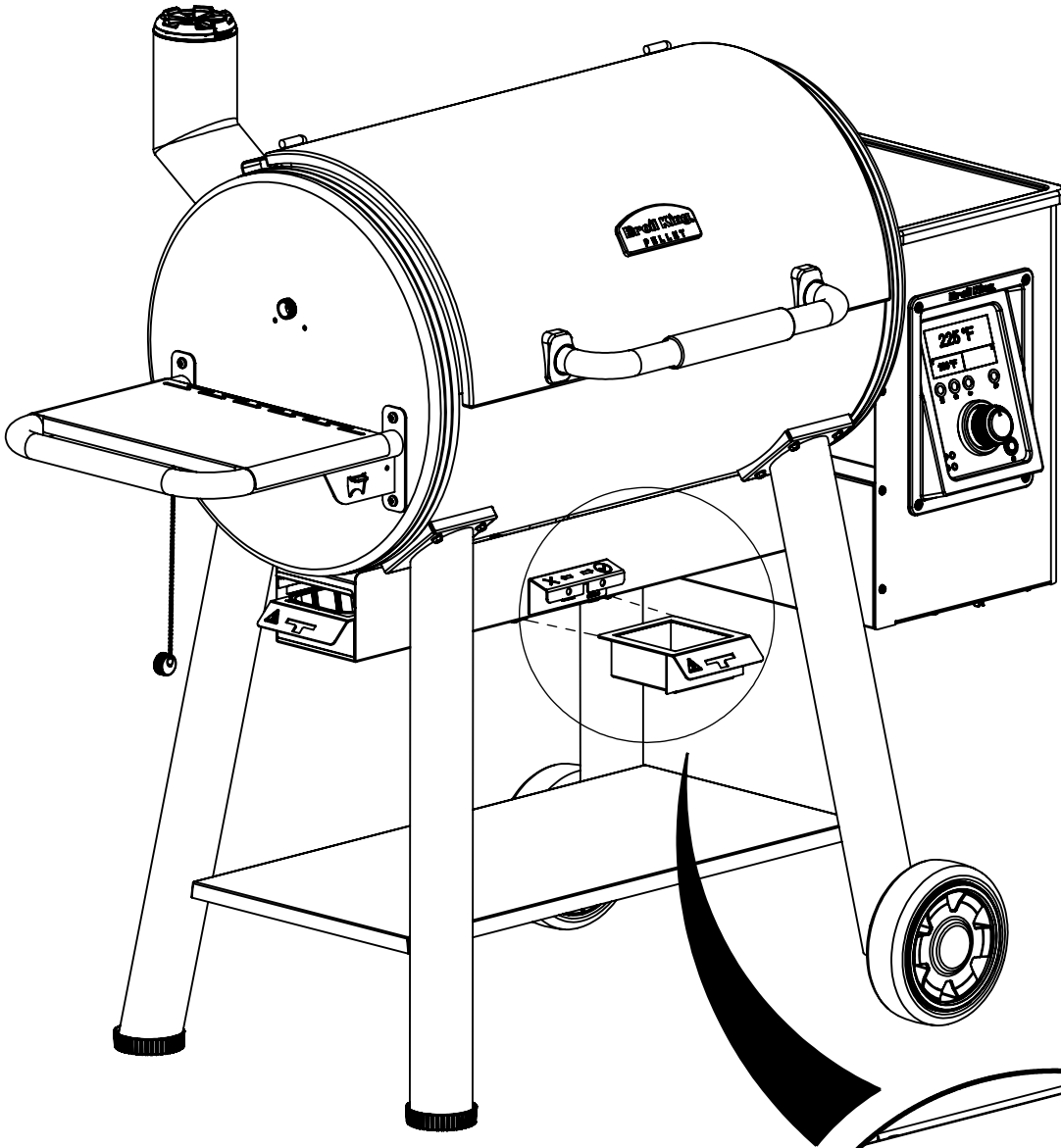


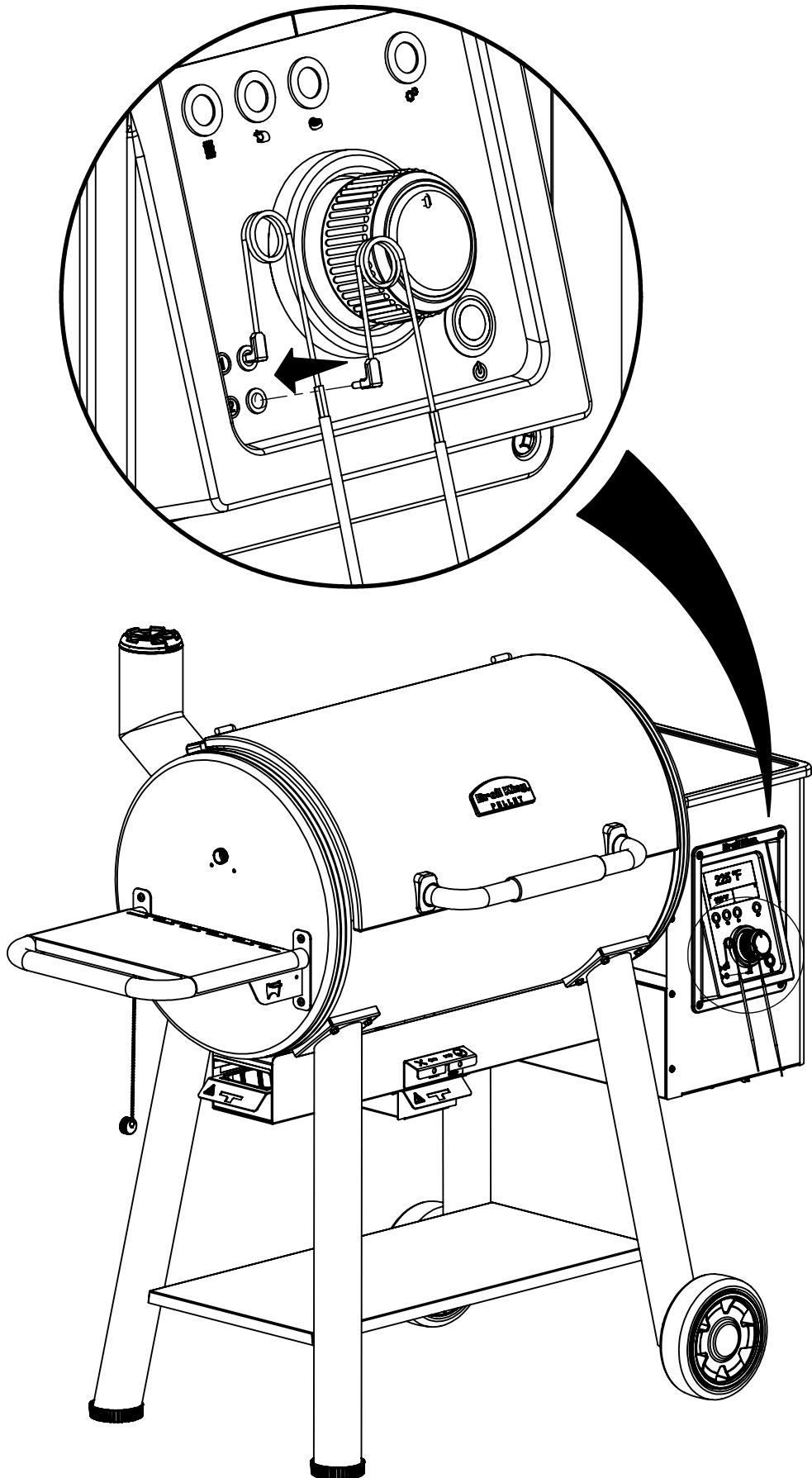




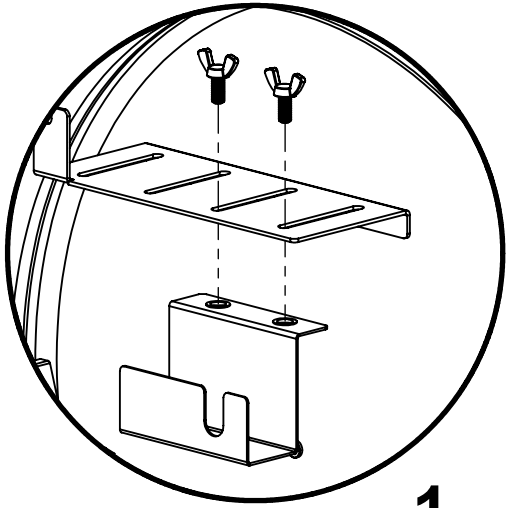
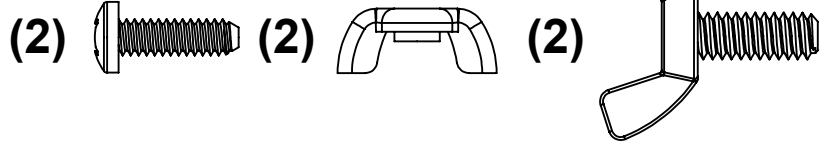




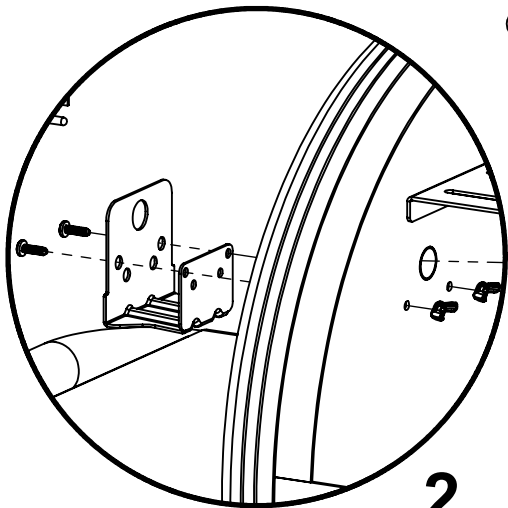




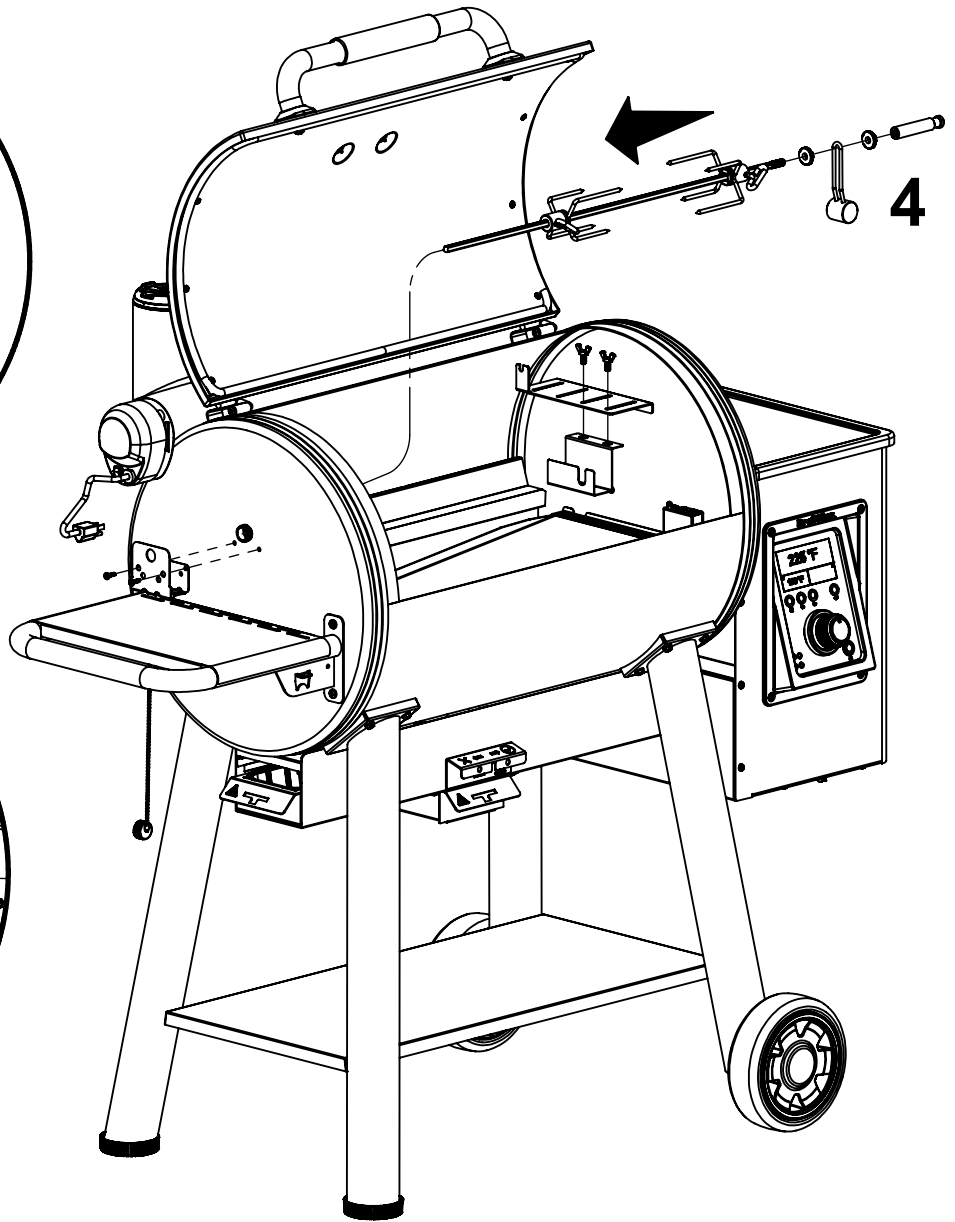
19



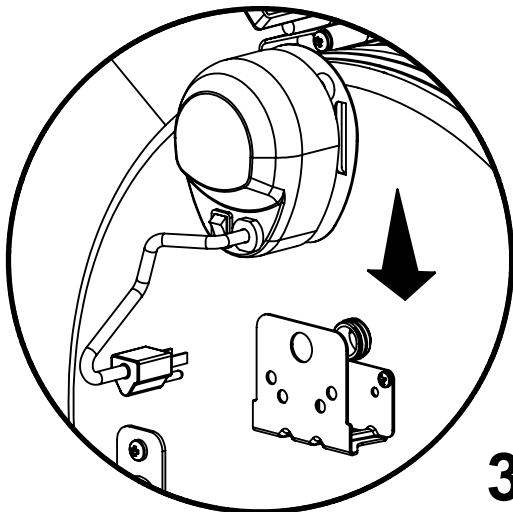
1



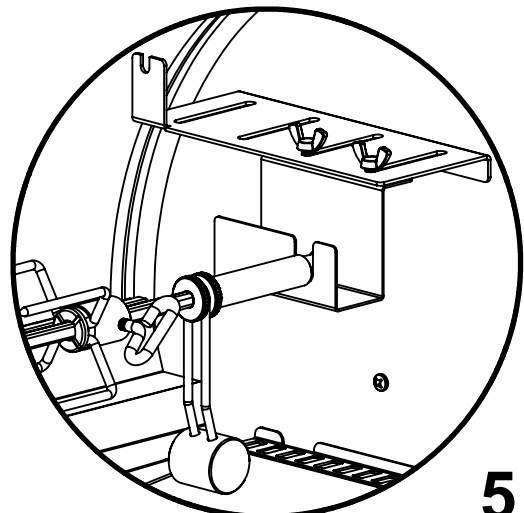
2



4



3



5

