



Buy it for looks. Buy it for life.®

# Specifications

## DESCRIPTION

- Metal construction with various finishes identified by suffix
- 1/2" IPS connections will accept standard ball nose connection for 3/8" tubing
- Includes pop-up waste assembly

## OPERATION

- Lever style handles
- Hot side counterclockwise to open (clockwise to close)
- Cold side clockwise to open (counterclockwise to close)


## FLOW

- Water usage is limited to these maximum flow rates as indicated by the corresponding product markings
  - 1.2 gpm max (4.5L/min) at 60 psi

## CARTRIDGE

- 1234 cartridge design
- Nonmetallic and stainless steel material

## STANDARDS

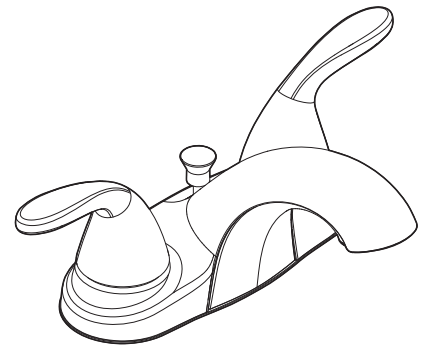
- Third party certified to WaterSense®, ASME A112.18.1/CSA B125.1 and all applicable requirements referenced therein
- Certified to NSF 61/9 & 372
- Compliant with California water efficiency regulations
- Complies with California Proposition 65 and with the Federal Safe Drinking Water Act
- **ADA**  for lever handles

## WARRANTY

- Lifetime limited warranty against leaks, drips and finish defects to the original consumer purchaser
- 5 year warranty if used in commercial installations

## NOTE

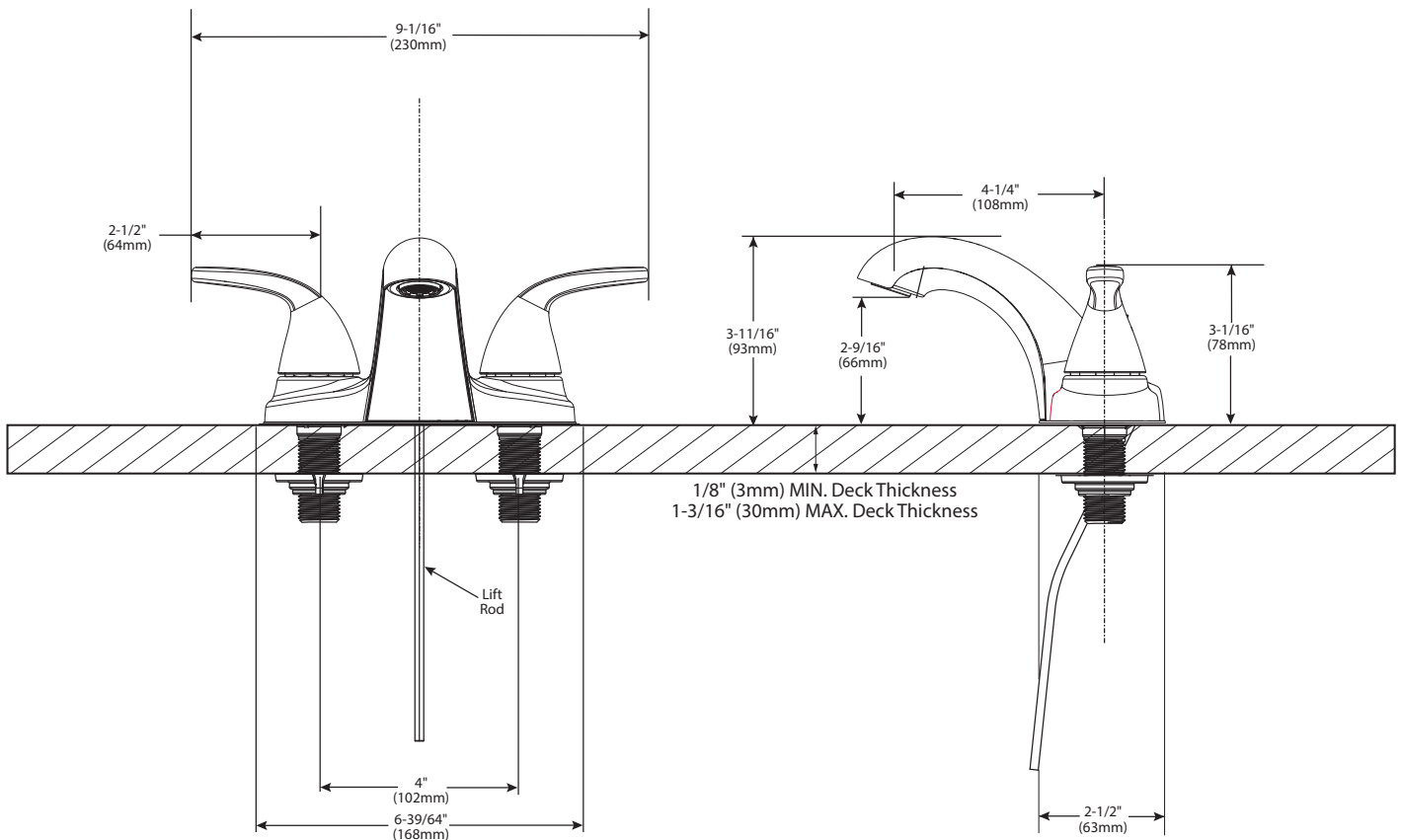
- \*Service kits available for thicker or thinner deck applications (See Parts view)



**Adler™**  
**Two-Handle Lavatory Faucet**

**Model:** 84603 Series

**NOTE:** THIS FAUCET IS DESIGNED TO BE INSTALLED THRU 3 HOLES, 1" MIN. DIA.



## CRITICAL DIMENSIONS

(DO NOT SCALE)

FOR MORE INFORMATION CALL: 1-800-BUY-MOEN

[www.moen.com](http://www.moen.com)

# Banbury® Technical Specification

## Towel Ring

# Y2686

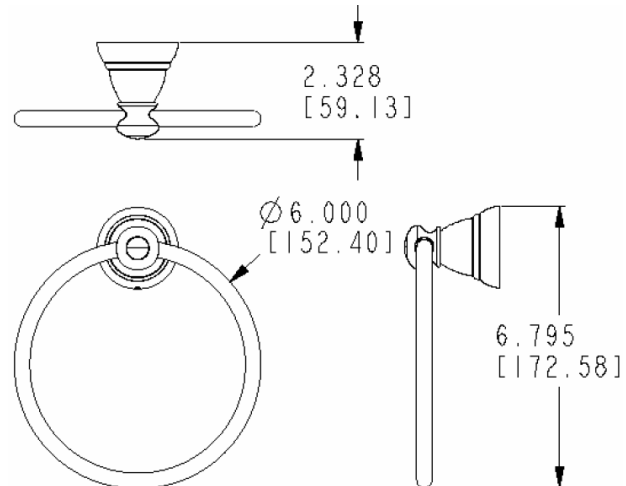
### Stock Numbers:

- ❑ **Y2686BN – Towel Ring**  
Brushed Nickel Finish
- ❑ **Y2686BRB – Towel Ring**  
Mediterranean Bronze Finish
- ❑ **Y2686CH – Towel Ring**  
Chrome Finish

### Materials:

**Towel Ring post** is die cast from highest quality zinc alloy (Zamac). Casting is plated in Chrome, Brushed Nickel or Mediterranean Bronze. **Towel ring** is aluminum for Brushed Nickel and Chrome finishes and stainless steel for Mediterranean Bronze.

### Dimensions:



### Installation Instructions:

1. Remove mounting plate from hardware pack.
2. Position the mounting plate on the wall at desired location with "UP" facing you. Mark hole locations.
3. Drill two holes as marked using a 5/16" drill bit.
4. Fold ends of the plastic toggle together and insert into each hole in the wall.
5. Lightly tap anchors until flush with the wall.
6. One at a time, insert plastic pin into each anchor and lightly tap to activate anchor.
7. Place the mounting plate on the wall over the installed wall anchors with "UP" facing you.
8. Tighten screws.
9. Place decorative product over the mounting plate with setscrew facing down and tighten setscrew.

### Cleaning Instructions:

To preserve the fine finish of this product, clean only with a soft damp cloth. Dry well. Do not use commercial or abrasive cleaners.

**Stock Number:** \_\_\_\_\_ **Towel Ring**  
**By Creative Specialties**