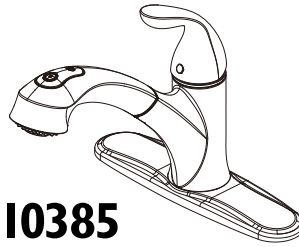


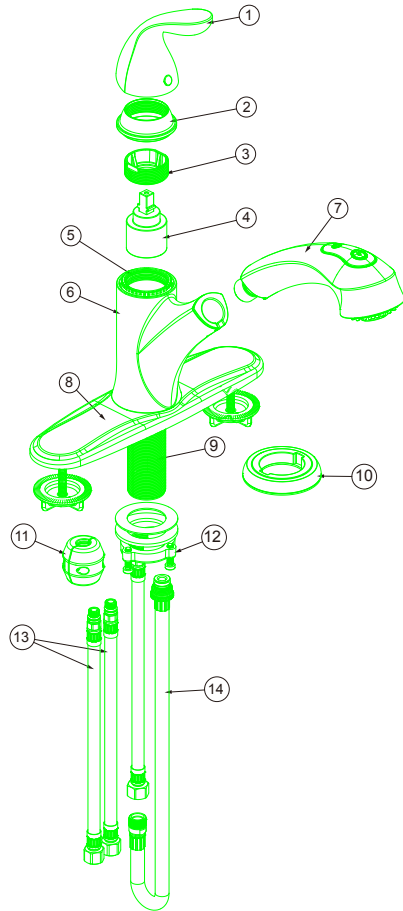


Limited
LIFETIME WARRANTY



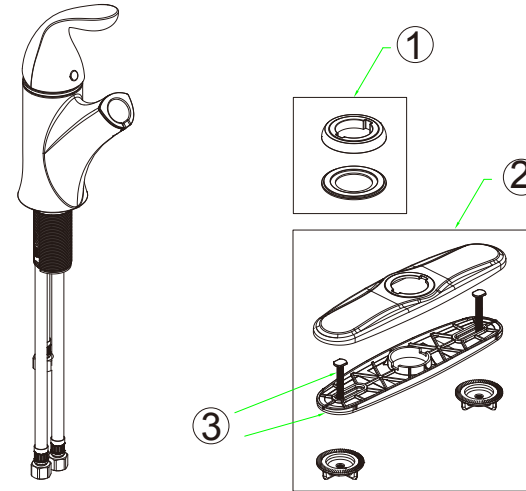
Kitchen Faucet Non-Metallic
With Pull-Out Spray

I0384/I0385



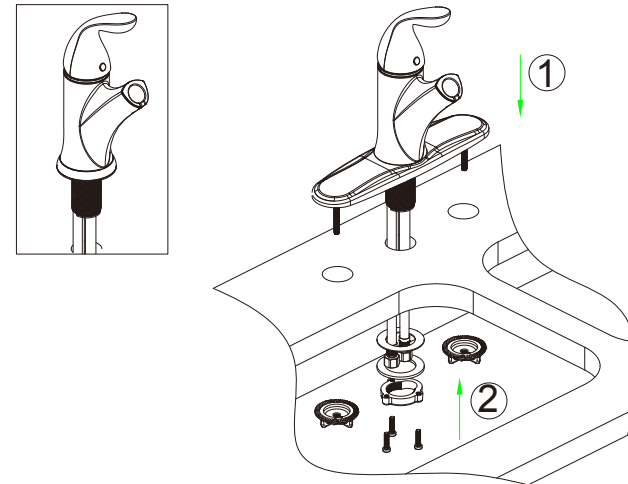
- | | |
|-----|---------------|
| 1. | Handle |
| 2. | Cap |
| 3. | Bonnet |
| 4. | Cartridge |
| 5. | Waterway |
| 6. | Hub |
| 7. | Pull-Out Wand |
| 8. | Escutcheon |
| 9. | Shank |
| 10. | Flange |
| 11. | Weight |
| 12. | Mounting Nut |
| 13. | Inlet Hose |
| 14. | Outlet Hose |

1



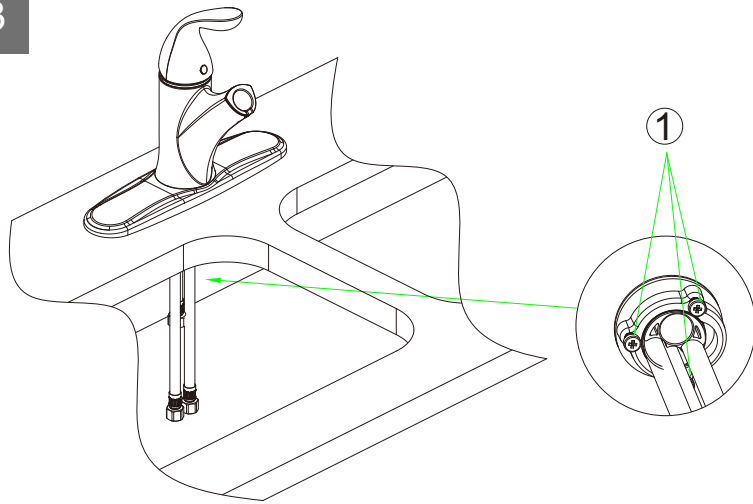
- For single hole ①
- For three holes ②
- Install the screws on the putty plate ③

2



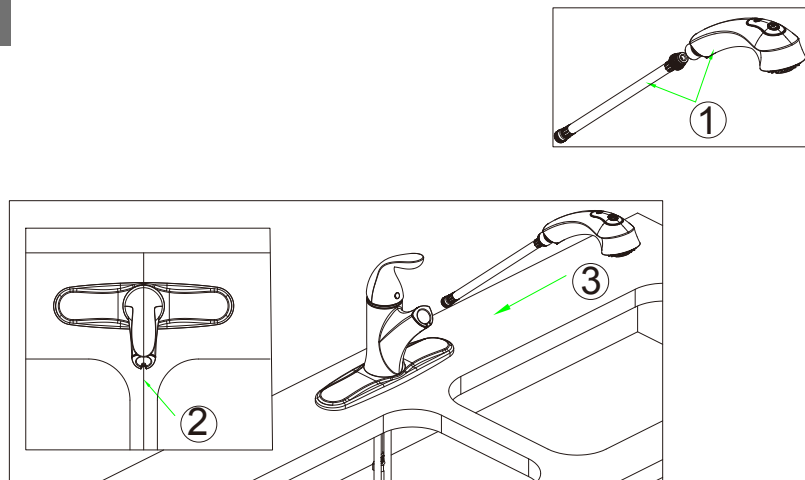
- Insert supply hoses, outlet hose and shank through the hole in escutcheon with putty plate and mounting surface. ①
- Assemble rubber washer, metal washer and threaded lock nut onto shank from underside of sink or mounting surface. Hand tighten locknut. ②

3



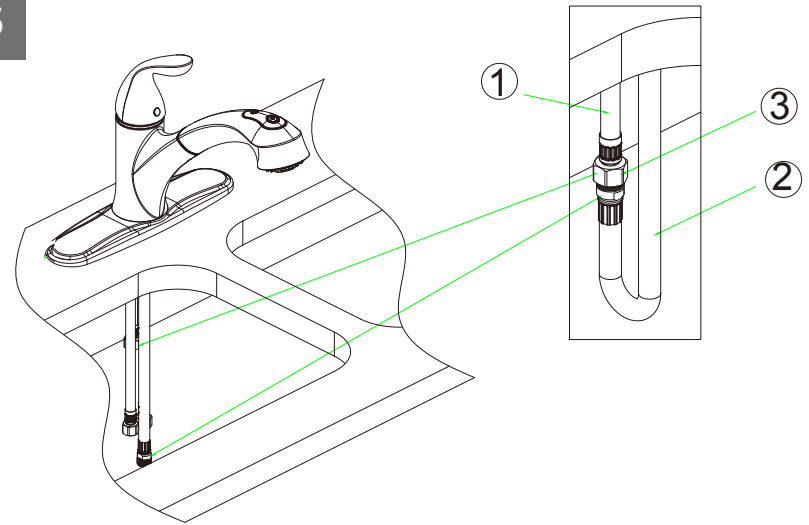
- Use a screwdriver to tighten screws. Tightening the screws slightly each time until all are snug to ensure even pressure. ①

4



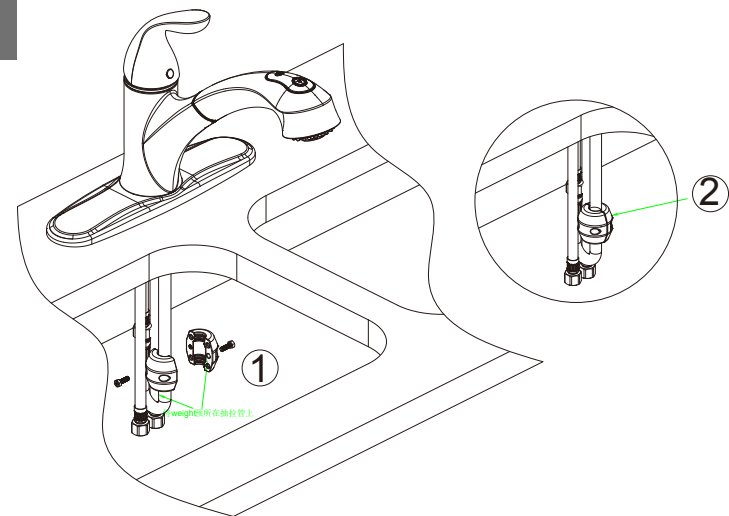
- Connect the pull-out hose with the Pull-Handler ①
- Make sure the hub is centered ②
- Insert the hose and pull-handler into the hub, and then underside of the sink or mounting surface ③

5



- Outlet hose ①
- Pull-out hose ②
- Connect the outlet hose with the pull-out hose ③

6



- Place the Weight on the pull-out hose ①
- Tighten the weight by screwdrivers at a right place ②