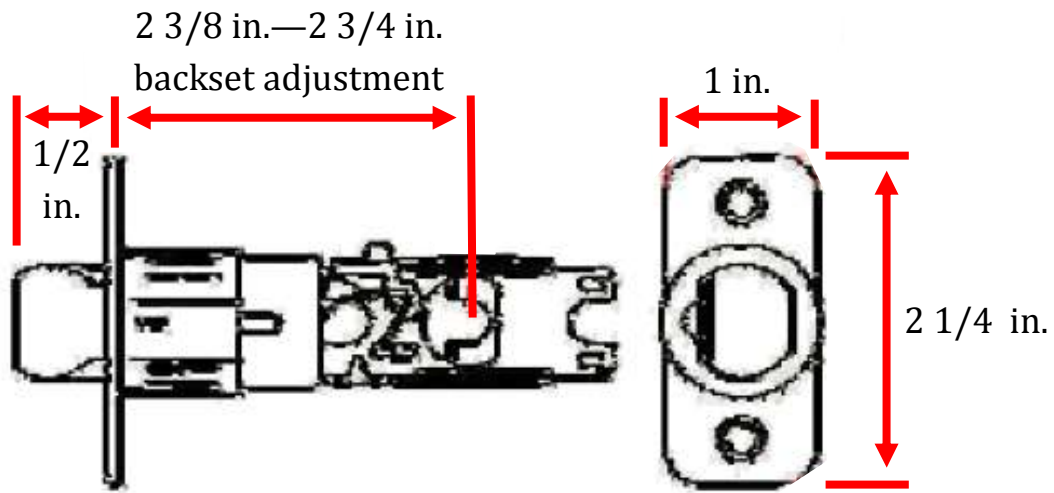




Universal 6-Way Replacement Latch

- *Entry Latch* -



Can be adapted for radius-corner, square-corner or circular drive-in applications

