

Dane 3LT Vanity Light SN

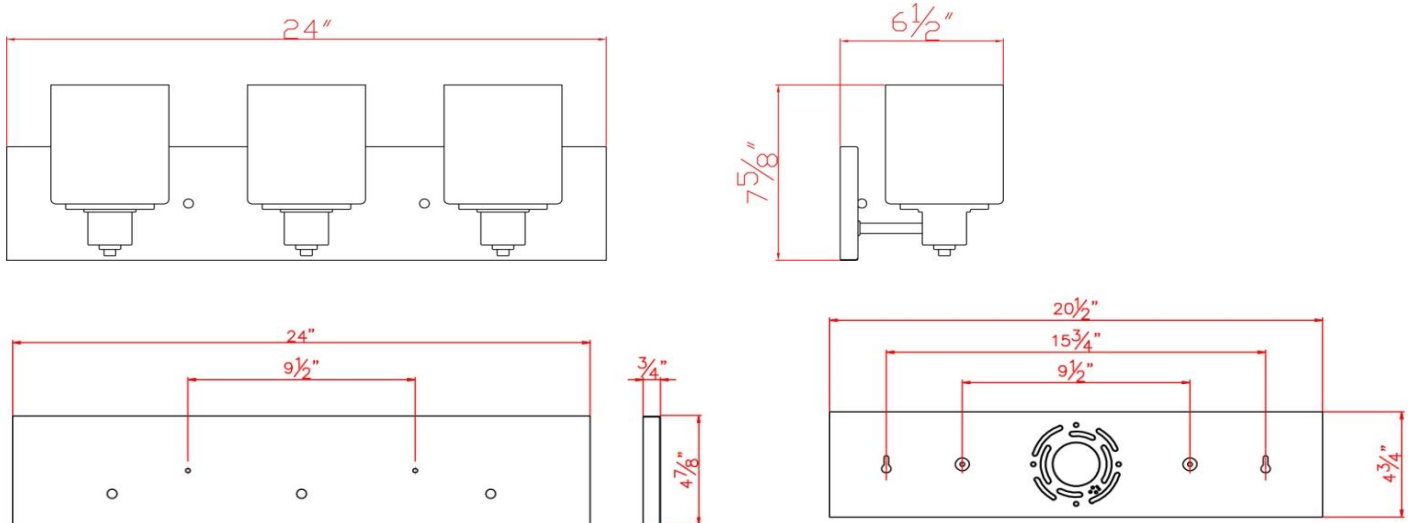


Specifications

Material Construction:	Formed Steel
Lens:	Frosted white glass
Lens Dimensions:	5.3" H x 4.75" Dia.
Lamp Type & Wattage:	3 x 60 Watt, E26 Medium base incandescent lamps or energy efficient equivalents
Mounting:	Wall mounted; suitable for up or down mounting
Finish:	Satin Nickel
Voltage:	120V
Weight:	4.80 lbs.
Mounting Plate Dimensions:	4.875" H x 24" L x 0.75" D



Dimensions



Warranty & Compliances

Warranty	10 Year Limited Warranty
UL	UL Listed; suitable for damp locations
ADA	N/A
EnergyStar	N/A



Product

Description	Product Code
Dane 3LT Vanity Light SN	578831

Type:
Job:
Order Code:
Approvals:

Design House reserves the right to make changes in materials, specifications & models at any time. Design House also reserves the right to discontinue product without notice or obligation.