



**READ AND SAVE THESE INSTRUCTIONS**  
Tower Circulator Owner's Guide

**LEER Y GUARDAR ESTAS INSTRUCCIONES**  
Guía Del Propietario Del Ventilado Torre

**LISEZ ET CONSERVEZ CES INSTRUCTIONS**  
Mode D'emploi Du Ventilateur Tour Pour Toute La Pièce

[www.vornado.com](http://www.vornado.com)

model DUO

**Designed, engineered and supported in Andover, Kansas.**  
**Pensado, diseñado y respaldado en Andover, Kansas.**  
**Conception, mise au point et soutien technique effectués à Andover, au Kansa**

Questions or comments?  
¿Preguntas o comentarios?  
Questions ou commentaires?



[www.vornado.com](http://www.vornado.com)



[consumerservice@vornado.com](mailto:consumerservice@vornado.com)



800.234.0604

# Contents

---

Important Instructions .....	4
Vornado V-Flow™ Circulation.....	6
Features and Benefits .....	7
Controls.....	7
How To Use .....	8
Operating Tips .....	9
Cleaning and Storage .....	9
Troubleshooting .....	10
Warranty.....	11

Español p. 12  
Français p. 21

English **3**

# IMPORTANT INSTRUCTIONS

## READ ALL INSTRUCTIONS BEFORE USING THIS TOWER.

This appliance has a polarized plug. (One blade is wider than the other.) To reduce the risk of electrical shock, this plug is intended to fit in a polarized outlet only one way. If the plug does not fit fully in the outlet, reverse the plug. If it still does not fit, contact a qualified electrician. Do not attempt to defeat this safety feature.

**WARNING** – To reduce the risk of fire or electrical shock, do not use this product with any solid state speed control device. To reduce the risk of fire or electric shock and injury to persons, do not use in a window.

This product employs overload protection (fuse). A blown fuse indicates an overload or short-circuit situation. If the fuse blows, unplug the product from the outlet. Replace the fuse as per the user servicing instructions (follow product marking for proper fuse rating) and check the product. If the replacement fuse blows, a short-circuit may be present and the product should be discarded or returned to an authorized service facility for examination and/or repair.

- Do Not tamper with or modify this product in any way.
- Do unplug your Tower Circulator before cleaning.
- Do clean your Vornado Tower Circulator regularly. Refer to the CLEANING instructions provided. Never clean the air circulator in any manner other than as instructed in this manual.
- Do Not use gasoline, thinners, solvents, ammonia or other chemicals for cleaning.
- Do Not immerse this product in water or allow water to drip into the motor housing.
- Do Not use near furnaces, fireplaces, stoves or other high-temperature heat sources.
- Do Not position this product too close to draperies because they may

- be drawn into the inlet grill cutting off airflow.
- Do Not use this product outdoors.
- Do Not use this product on wet surfaces.
- Do Not use this product in a bathtub or shower.
- Do Not use this product if it has a damaged cord or plug. Discard fan or return to an authorized service facility for examination and/or repair.
- Do Not carry this product by the cord, or use the cord as a handle.
- Do Not attempt to repair or replace parts.
- Do Not run cord under carpeting. Do Not cover cord with throw rugs, runners, or similar coverings. Do not route cord under furniture or appliances. Arrange cord away from traffic area and where it will not be tripped over.
- Do use common sense when using this product and/or any electrical appliance.
- The manufacturer assumes no responsibility for damage or injury caused by failure to follow these instructions, improper product use, or unauthorized product modification. Any such actions will invalidate the product warranty.

## User Servicing Instructions

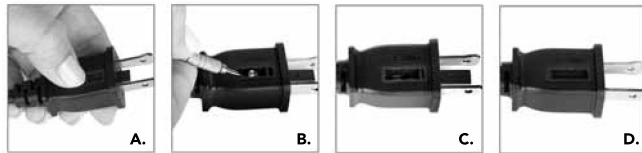
Grasp plug and remove from the receptacle or other outlet device. Do not unplug by pulling on cord. Open fuse cover (A.) by sliding access cover on top of attachment plug towards blades. Remove fuse (B.) carefully by gently prying out the ends of the fuse from the receptacle.

Risk of fire. Replace fuse only with 2.5 Amp, 125 Volt fuse. Contact Vornado customer service for replacement fuse. Phone: 1-800-234-0604, email: [consumerservice@vornado.com](mailto:consumerservice@vornado.com)

# IMPORTANT INSTRUCTIONS

READ ALL INSTRUCTIONS BEFORE USING THIS TOWER.

Install replacement fuse (C.) by first placing the end of the fuse into the fuse receptacle which is opposite of the blades of the plug, then carefully push in the other end. Only push against the metal end of the fuse, not the glass center portion. Close the fuse access cover (D.) by sliding the cover back into the plug until it is completely closed, latches and is flush with the face of the plug. Risk of fire. Do not replace attachment plug. Contains a safety device (fuse, AFCI, LCDI) that should not be removed. Discard product if the attachment plug is damaged.



**WARNING:** Keep fuse away from children. If swallowed call (800) 222-1222 or (202)625-3333, in Canada (416) 813-5900.

NOTE: This equipment has been tested and found to comply with the limits for Class B digital device, pursuant to part 15 of the FCC Rules. These limits are designed to provide reasonable protection against harmful interference in a residential installation. This equipment generates, uses and can radiate radio frequency energy and, if not installed and used in accordance with the instructions, may cause harmful interference to radio or television reception, which can be determined by turning the equipment off and on, the user is encouraged to try to correct the interference by one or more of the following measures:

- Reorient or relocate the receiving antenna.
- Increase the separation between the equipment and the receiver.

- Connect the equipment into an outlet on a circuit different from that to which the receiver is connected.
- Consult the dealer or an experienced radio/TV technician for help.

**WARNING:** Changes or modifications to this unit not expressly approved by the party responsible for compliance could void the user's authority to operate the equipment.

This device complies with part 15 of the FCC Rules. Operation is subject to the following two conditions: (1) This device may not cause harmful interference, and (2) this device must accept any interference received, including interference that may cause undesired operation.

This Class B digital apparatus complies with Canadian ICES-003. Cet appareil numérique de la classe B est conforme à la norme NMB-003 du Canada.

## SAVE THESE INSTRUCTIONS

# Trust.

It is said that trust isn't given, but earned. For decades Vornado has been earning the trust of our customers by offering them only the best. Vornado provides the highest level of performance, coupled with the highest level of support available. Complete satisfaction with no exceptions – this is Vornado's promise to you. If you are not satisfied for any reason, please contact us. Knowledgeable representatives are available at 1-800-234-0604 from 7:00 AM to 6:00 PM CST. A wealth of additional support is also available online at [www.vornado.com](http://www.vornado.com). On behalf of myself and the entire staff at our Andover, Kansas headquarters – thank you for selecting Vornado.

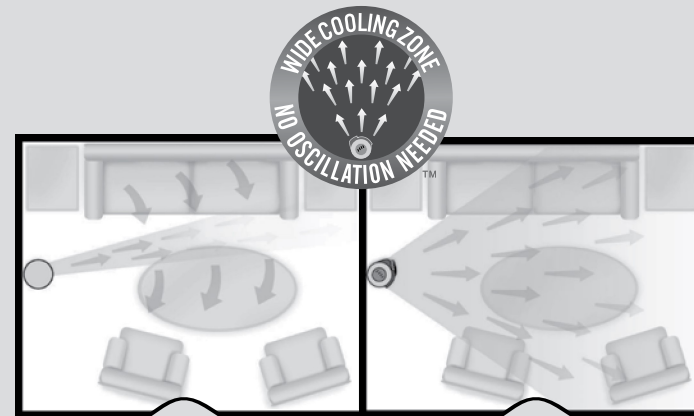
Sincerely,  
Randy Brillhart  
CEO, Vornado Air



Find our complete product line at [www.vornado.com](http://www.vornado.com)

## Vornado V-Flow™ Circulation

Don't Oscillate. Circulate.™



### Typical Tower Fan





Oscillates, distributing air in a narrow range, leaving you to feel the air only seconds at a time.

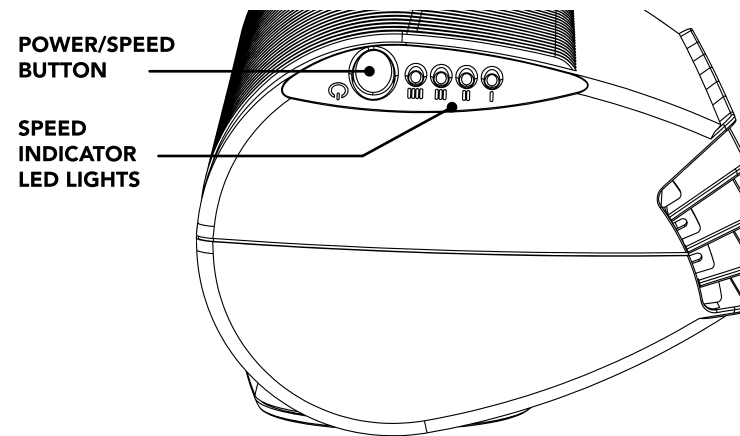
### Duo Tower Circulator

Circulates a wide span of constant airflow for whole room comfort.

# Features and Benefits

# Controls

Feature	Benefit
 4 Speeds	One button design allows for simple speed selection.
 Dual Versatility	Easily adjust the airflow direction in either the Tower or Low-Profile Position for even more versatility.
 Wide Cooling	Wide cooling zone for constant airflow.
 Quiet Operation	Whisper quiet operation.



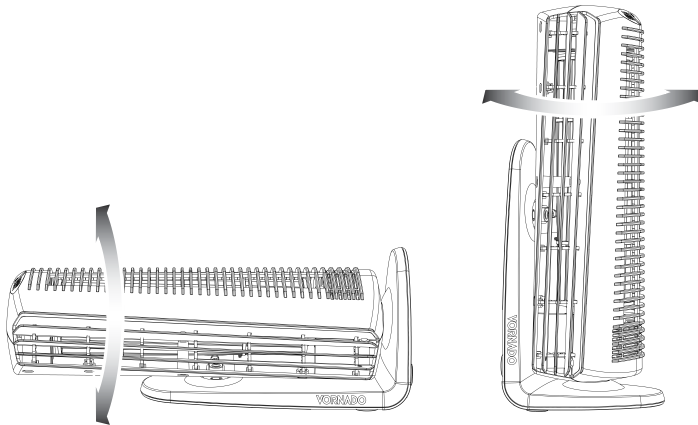
**Power**  
The unit functions On by pressing the Power button. LED Lights on the unit's control panel indicate the power is On and will default to the Turbo Speed (IIII) setting.

**Fan Speed (IIII, III, II, I)**  
The fan speed can be adjusted by pressing the Power/Speed button. Press the button to cycle between the unit's speed settings, Turbo (IIII), High (III), Medium (II) and Low (I). Lights on the unit's control panel indicate the selected speed setting.

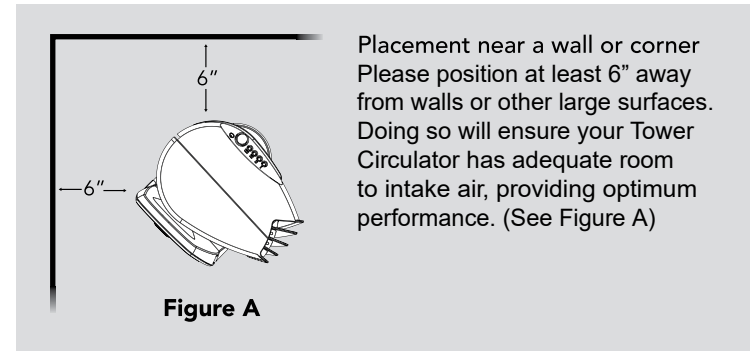
# How To Use

## Positioning Your Circulator

1. Duo may be positioned vertically or horizontally. Position your Duo Tower Circulator so the airstream has an unobstructed path for small room circulation. Or position Duo to blow directly at you for direct cooling. The airflow direction may be adjusted by twisting the head for improved position location.



2. Adjust the speed accordingly until a desired comfort level is achieved. You will quickly determine the precise amount of circulation required to maintain your personal comfort in a given room for the prevailing temperature and humidity conditions. Once you discover the added comfort of air circulation, you will use your Duo Tower Circulator season after season.



## Adjusting Your Speed

1. Set to a medium speed and allow a few minutes for an airflow pattern to be established. (Different airflow patterns can be established by changing the location, and speed of the Tower Circulator.)



## Operating Tips

### Getting the Most From Your Circulator

Thank you for your purchase. It's important for you to know that this product functions very differently than typical tower fans you may have used in the past. Here are a few things to keep in mind:

#### Expect Powerful Circulation

Your Duo Tower Circulator is designed to move considerably more air than a traditional tower fan. Consider the following as you adjust product settings.

Turbo Setting	Ultra-high volume airflow. Increased sound levels may be perceptible due to airflow volume and velocity.
High Setting	High volume airflow. Rapidly moves air across the room for efficient cooling. Increased sound levels may be perceptible due to airflow volume and velocity.
Middle Setting(s)	Superior circulation power compared to traditional tower fans on their high setting. May be preferred for day-to-day use.
Low Setting	Near-silent operation while offering steady circulation.

## Cleaning and Storage

### How to Clean

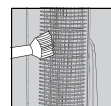
- Your Tower Circulator has no user serviceable parts. Do not disassemble the unit. This will void your warranty. If service is required, return your circulator to Vornado (see WARRANTY for instructions on page 11).
- The motor is permanently lubricated and requires no oiling.

Because your Tower Circulator moves a substantial amount of air, it will need regular cleaning. To clean follow these simple instructions:



1. Unplug the unit.

**Note:** Do not use gasoline, thinners, solvents or other chemicals for cleaning.



2. Use the brush attachment on your household vacuum cleaner to vacuum any accumulated dust off the Front Angled Outlet Grill and Side Inlet Grill. Wipe down the entire surface with a soft cloth.

### Storage

It is recommended to store your Tower Circulator by following these instructions:

1. Unplug power cord and bundle loosely.
2. Thoroughly clean your Tower Circulator (see instructions above).
3. Cover, or place back in retail carton if available. This will prevent the unit from accumulating dust over time.
4. Store unit in a cool and dry location.

# Troubleshooting

---

Problem	Possible Cause and Solution
<b>Unit fails to power on.</b>	Unit is not plugged in. Plug Power Cord into electrical outlet.
	Fuse needs to be replaced. See IMPORTANT INSTRUCTIONS for how to replace the fuse or contact Consumer Service.
	Unit is damaged or in need of repair. Cease usage and unplug. Contact Consumer Service for assistance.
<b>Unit is not producing sufficient amount of air.</b>	Ensure unit is set to highest setting for maximum air circulation.
	Allow the unit to fully circulate the air throughout the room, this may take several minutes.
	Ensure all air inlets and outlet grill are unobstructed.



## Tower Circulator • 5 Year Limited Warranty

Vornado Air LLC (“Vornado”) warrants to the original consumer or purchaser this Vornado® Tower Circulator (“Product”) is free from defects in material or workmanship for a period of five (5) years from the date of purchase, depending on model. If any such defect is discovered within the warranty period, Vornado, at its discretion, will repair or replace the Product at no cost. Repairs not covered by the warranty or outside the warranty period will require a fee to cover the cost of materials, labor, handling and shipping.

This warranty does not apply to defects resulting from abuse of the Product, modification, alteration, repair or service of the Product by anyone other than Vornado, mishandling, improper maintenance, commercial use of the Product, damages which occur in shipment or are attributed to acts of God.

REPAIR OR REPLACEMENT AS PROVIDED UNDER THIS WARRANTY IS THE EXCLUSIVE REMEDY OF THE CONSUMER. VORNADO SHALL NOT BE LIABLE FOR ANY INCIDENTAL OR CONSEQUENTIAL DAMAGES FOR BREACH OF ANY EXPRESS OR IMPLIED WARRANTY ON THIS PRODUCT. EXCEPT TO THE EXTENT PROHIBITED BY APPLICABLE LAW, ANY IMPLIED WARRANTY OF MERCHANTABILITY OR FITNESS FOR A PARTICULAR PURPOSE ON THIS PRODUCT IS LIMITED IN DURATION TO THE DURATION OF THIS WARRANTY.

Some states do not allow the exclusion or limitation of incidental or consequential damages, or allow limitations on how long an implied warranty lasts, so the above limitations or exclusions may not apply to you. This warranty gives you specific legal rights, and you may have other rights that vary from state to state.

For warranty or repair service, call 1-800-234-0604 or email [consumerservice@vornado.com](mailto:consumerservice@vornado.com) to obtain a Return Authorization (“RA”) form. Please have or include your Product’s model number and serial number, as well as your name, address,

city, state, zip code and phone number when contacting Vornado for warranty service.

After receiving the RA form, ship your Product to:

Vornado Air LLC  
Attn: Warranty & Repair  
415 East 13th Street  
Andover, KS 67002

For your convenience, please have your model number and serial number when contacting Vornado with service inquiries. To assure proper handling, packages must be clearly marked with the RA number. Packages not clearly marked with the RA number may be refused at the receiving dock.

Please allow 1-2 weeks for repair and return of your Product after the Product is received. For your records: Staple or attach your original sales receipt to this Owner’s Guide. Please also write your product’s serial number below (located on product specs decal).

Serial No. \_\_\_\_\_

The manufacturer assumes no responsibility for damage or injury caused by failure to follow these instructions, improper product use, or unauthorized product modification. Any such actions will invalidate the product warranty.

Product registration available online at [www.vornado.com](http://www.vornado.com)

© 2015 Vornado Air LLC Andover, KS 67002

Patents Pending. Specifications subject to change without notice.

Vornado® is a trademark owned by Vornado Air LLC.

Designed, engineered and supported in Andover, KS.

Manufactured in China.

[www.vornado.com](http://www.vornado.com) [consumerservice@vornado.com](mailto:consumerservice@vornado.com) 800.234.0604



Vornado Air, LLC  
415 East 13th Street, Andover, Kansas 67002  
800.234.0604 | [www.vornado.com](http://www.vornado.com)

Speak your mind [www.vornado.com/reviews](http://www.vornado.com/reviews)  
Hable con franqueza [www.vornado.com/reviews](http://www.vornado.com/reviews)  
Exprimez-vous! [www.vornado.com/reviews](http://www.vornado.com/reviews)

CL3-0348 R-  
CL7-0348 R-, V01