

Instructions

116766 – Chrome less pop-up
116765 – Chrome with pop-up

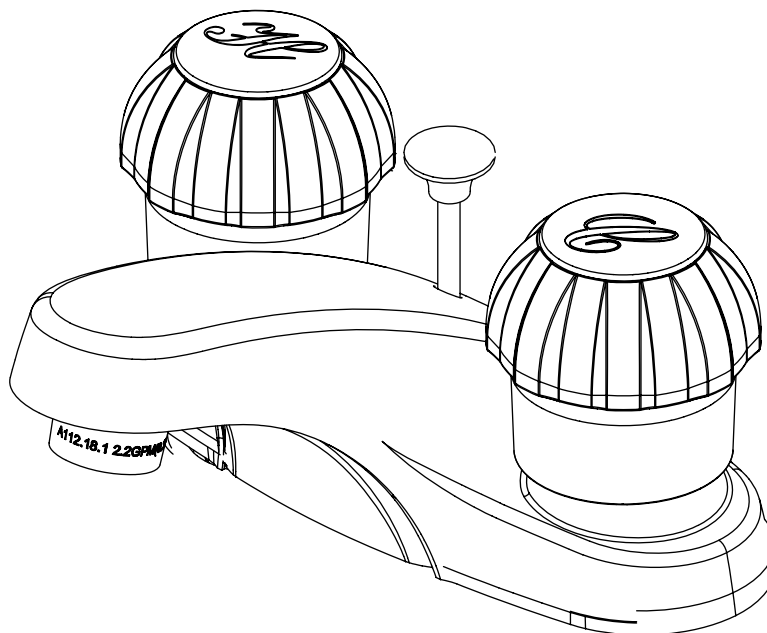
10-B42-WNCH1-B-Z – Chrome less pop-up
10-B42-WYCH1-B-Z – Chrome with pop-up



Certifications



Two Handle Lavatory Faucet



*Image may vary slightly from actual product

Tools Required

Adjustable Wrench
Groove Joint Pliers
Pipe Wrench
Phillips Screwdriver
Pipe Tape or pipe thread compound



Safety Tips

If you solder the joints during installation of the faucet, the seats, cartridges, and washers must be removed before using a flame or the warranty will be voided on these parts.

Protect your eyes with safety glasses when cutting or soldering water supply lines.

Cover the sink drain to avoid losing parts.

Things You May Need

Installations may vary depending on how the previous faucet was installed. Supplies necessary for the installation of your faucet are not all included; however, they are available wherever plumbing supplies are sold.

Maintenance

Your new lavatory faucet is designed for years of trouble-free performance.

Keep it looking new by cleaning it periodically with a soft cloth. Avoid abrasive cleaners, steel wool, and harsh chemicals as these will dull the finish and void your warranty.

Important Points

Prior to beginning installation, turn off the hot and cold water lines, then turn on the old faucet to release built-up pressure. When installing your new faucet, turn the connector nuts finger tight, then use one wrench to hold the fitting and a second wrench to tighten the nut. Connections that are too tight will reduce the integrity of the system.

Wrap all threaded connections with PTFE pipe tape available at your local hardware or plumbing supply store. Always wrap in a clock-wise direction.

Contact Us

For Customer Service please call 877-319-3757, or go to homeworksww.com.

Instructions

116766 – Chrome less pop-up
116765 – Chrome with pop-up

10-B42-WNCH1-B-Z – Chrome less pop-up
10-B42-WYCH1-B-Z – Chrome with pop-up

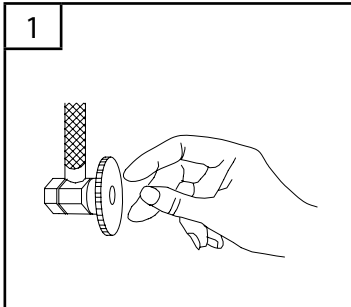


Certifications

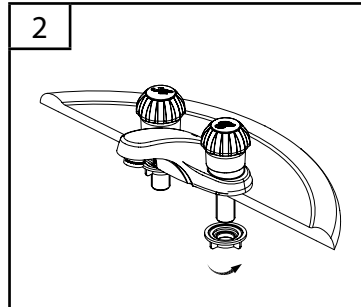


Two Handle Lavatory Faucet

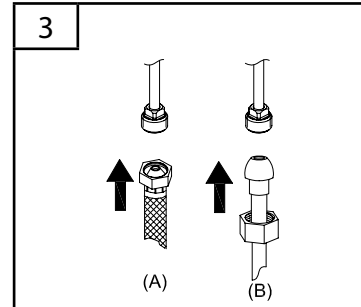
Preparation and Assembly



1
Locate water supply inlet and shut off water supply valve. These are usually found under the sink or near the water heater. Remove old faucet. Clean and dry sink surface area where new faucet will be mounted.

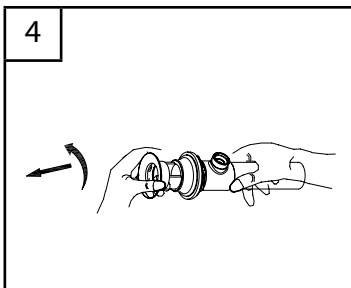


2
Place new faucet through holes in top of sink. From underside, slide washers onto threaded rods. Secure with washer and nuts.

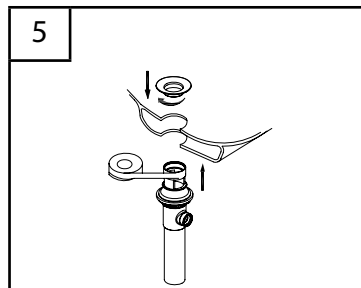


3
Connect water supply lines. (A) Use 1/2" IPS faucet supply lines or (B) use coupling nuts (not supplied) with ball-nose risers (not included). Turn water supply or shut-off valve back on and check for leaks. If leaks occur, gently tighten the faucet connections.

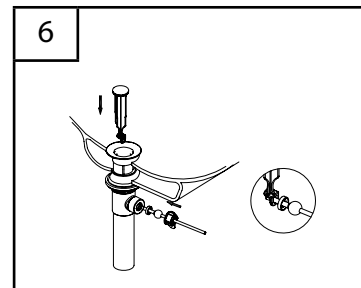
Installation: Pop-Up Drain



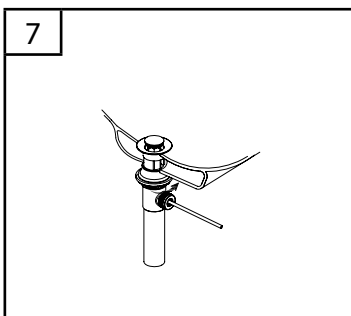
4
Remove flange from pop-up body. Leave large black washer (not included with plastic pop-ups) and nut on drain body.



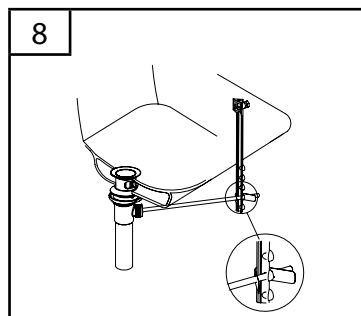
5
Add PTFE pipe tape to the threads on the drain body. Add Plumbers Putty to bottom of flange. Insert threaded end of drain body up through drain hole and attach flange to body with ball rod pointing to the rear of the sink. Tighten the flange.



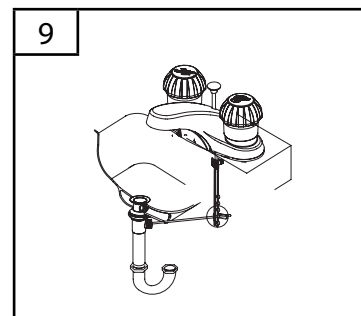
6
Unscrew the nut from the pop-up body and take off the spring clip from the ball rod (Note: the white packing ring must remain on the ball rod). Place the nut on the ball rod. Insert the ball rod into the side hole of drain, slide the nut on and tighten securely.



7
Thread locknut from underside of sink until rubber washer seats securely inside sink. Tighten locknut. Wipe off excess putty. If model has plastic wing nut, tighten securely. If nut is brass, tighten with a wrench.



8
Place one end of spring clip on end of ball rod. Insert rod across and through hole in lift rod strap. Secure other end.



9
Insert bottom of lift rod into hole at top of pop-up strap. Tighten with thumb screw.

Instructions

116766 – Chrome less pop-up
116765 – Chrome with pop-up

10-B42-WNCH1-B-Z – Chrome less pop-up
10-B42-WYCH1-B-Z – Chrome with pop-up

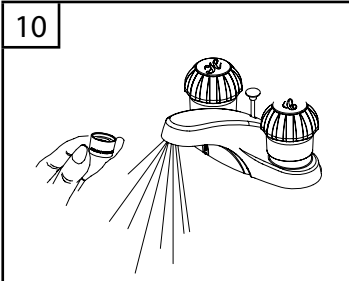


Certifications



Two Handle Lavatory Faucet

Preparation and Assembly cont.



Important: After installation is completed remove aerator. Turn on water supply and allow both hot and cold water to run for at least one minute each. While water is running, check for leaks. Replace aerator. Tighten nuts slightly to stop minor leaks. If problems persist, refer to troubleshooting chart.

Troubleshooting

PROBLEM: Leaks underneath handle.

CAUSE: Bonnet has come loose or O-ring on cartridge is dirty or twisted.

ACTION:

1. Move the handle to the off position. Remove the index button and unscrew the handle screw and remove the handle (Diagram A).
2. Tighten the bonnet by turning it clockwise (Diagram B). Move the cartridge stem to the on position. The leak should stop draining out from around the cartridge stem.
3. If the leak does not stop, shut off the water supply. Remove the bonnet by turning it counter-clockwise. Lift out the cartridge valve (Diagram C). Inspect the larger O-ring on the cartridge bonnet and the smaller O-ring on the cartridge stem. Remove any debris from the O-rings. If either O-ring is twisted, straighten it out. If either O-ring is damaged, replace the cartridge by calling Customer Service.
4. Position the cartridge back into the faucet body (Diagram D). Make sure the ridges on the two sides of the cartridge bonnet fit into the grooves on the two sides of the faucet body. Tightly screw the bonnet onto the faucet body.
5. Re-install the handle.

PROBLEM: Water does not completely shut off.

CAUSE: Rubber valve seat is dirty, stuck, or broken.

ACTION:

1. Shut off the cold water supply. If leak stops, the problem is on the cold side. If leak continues, the problem is on the hot side. Shut off the hot water supply to determine if both the cold and hot sides have a problem.
2. Remove the handle on the problem side. Loosen the bonnet by turning it counter-clockwise (Diagram E). Lift out the cartridge assembly.

3. Inspect the rubber valve seat in the faucet body. If there is debris or brass scrap on the surface of the seat, remove it. If the rubber seat is stuck tightly in the water inlet hole, push it gently with a fingertip so that it moves up and down smoothly. The spring (smaller end up) must be replaced underneath the valve seat. If the rubber valve seat is worn out or broken, replace the cartridge by calling Customer Service.
4. Replace the cartridge in the faucet body. Make sure that the ridges on the two sides of the cartridge bonnet fit into the grooves on the two sides of the faucet body (Diagram F). Tightly screw the bonnet onto the faucet body.
5. Re-install the handle.

PROBLEM: Faucet leaks around aerator.

CAUSE: Aerator incorrectly fitted.

ACTION:

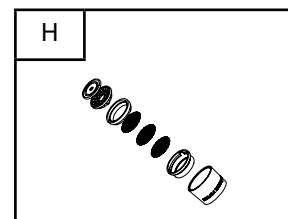
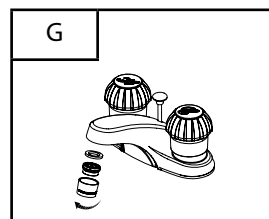
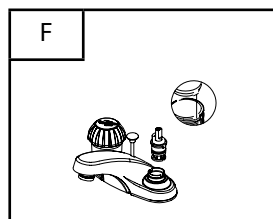
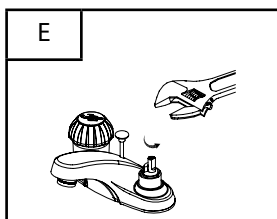
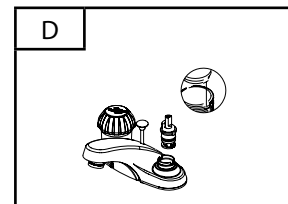
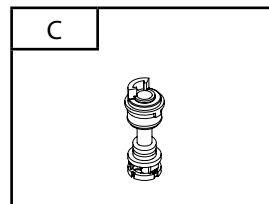
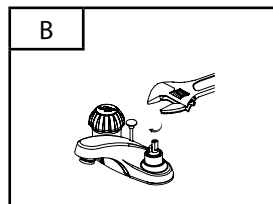
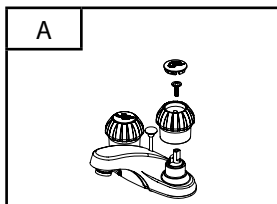
1. Unscrew the aerator by turning it clockwise (Diagram G). Inspect the black rubber packing inside the aerator. The rubber packing should be flat.
2. Screw the aerator onto the spout end and tighten.

PROBLEM: Improper water pattern.

CAUSE: Aerator dirty or small parts inside aerator improperly installed.

ACTION:

1. Remove the aerator from the spout end by turning it clockwise.
2. Gently flush the small parts inside the aerator to clear away any debris.
3. Re-install the small parts as shown in the exploded diagram (Diagram H). Metal screens must be flat and plastic supporter must be straight.
4. Screw the aerator onto the spout end and tighten.



Specifications



Physical Characteristics

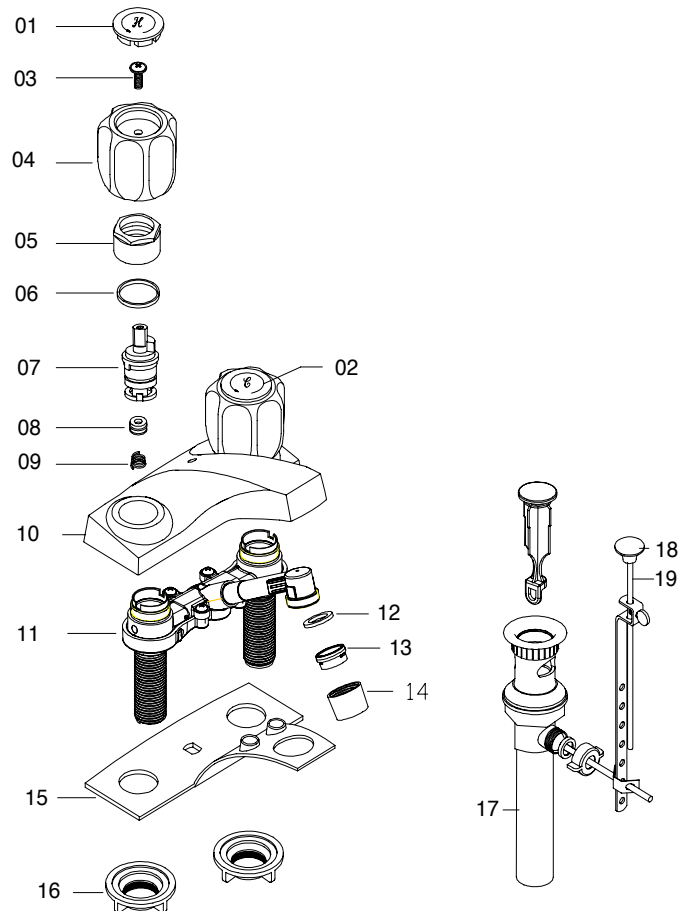
- Description: 2 acrylic handle lavatory faucet with 4" centerset, and 1/4-turn washerless cartridge
- Max. Flow Rate: 2.2 GPM (8.3 LPM)
- ASME A112.18.1/CSA B125 Certified
- Meets ASNI/NSF 61-9 Low Lead Requirements
- This product complies with 0.25% weighted average lead content on wetted surfaces.
- Total Weight of Item: 1.91 lbs.

Certifications



116766 – Chrome less pop-up
116765 – Chrome with pop-up
10-B42-WNCH1-B-Z – Chrome less pop-up
10-B42-WYCH1-B-Z – Chrome with pop-up

No.	Part Description	Material
1	Index H	PMMA V040
2	Index C	PMMA V040
3	Screw	SUS302
4	Handle	PMMA V040
5	Bonnet	ZZnA14
6	Washer	POM
7	Cartridge	NBR+SUS304+POM
8	Washer	NBR
9	Spring	SUS304
10	Escutcheon	ZZnA14
11	Body	NBR+SUS302+PPO+3101+ADC6+Brass
12	Aerator assembly	EPDM E7008F
13		POM+SUS302
14		C37700
15	Base Plate	PP+20% CaCO ₃
16	Mounting nut	ABS PA727
17	Pop-up assembly	Plastic
18	Lift rod assembly	ABS PA727
19		ABS PA727



Rough-In

116766 – Chrome less pop-up
116765 – Chrome with pop-up

10-B42-WNCH1-B-Z – Chrome less pop-up
10-B42-WYCH1-B-Z – Chrome with pop-up



Certifications



Two Handle Lavatory Faucet

