

# Rubbermaid®

## 5L40

*Congratulations and thank you for purchasing a Rubbermaid storage building.*

### **BEFORE YOU BEGIN – BUILDING CODES**

Be sure to check your local building codes, ordinances and restrictions, and applicable neighborhood governances.

### **BEFORE YOU BEGIN – SURFACE PREPARATION**

To ensure proper assembly and performance your shed needs to be built on a solid, level surface. A concrete or patio surface, or a treated-wood platform is recommended.

### **BEFORE YOU BEGIN – LOCATION**

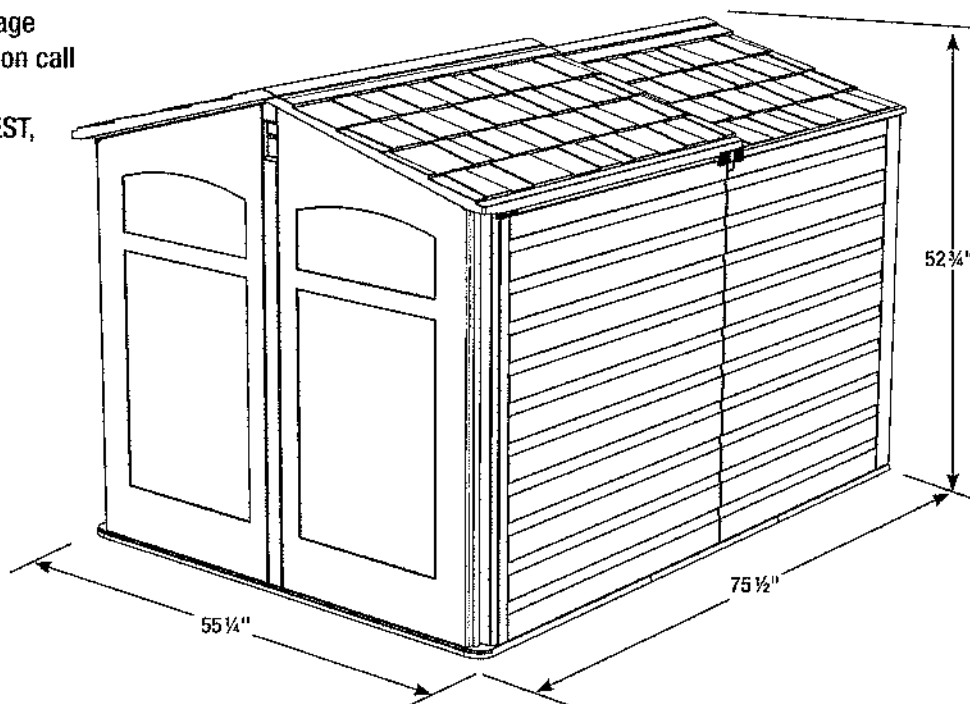
When choosing a location in your yard make sure you choose an area with easy access and one that provides proper drainage for water to run away from the shed.

### **BEFORE YOU BEGIN – PREASSEMBLY**

Thoroughly review all assembly steps: it is important that the steps are followed in the correct order. Review the parts list and make sure that no parts are missing.

### **IMPORTANT – DO NOT RETURN TO THE STORE**

For assistance with your Rubbermaid Storage Building or for additional product information call our toll-free Consumer Service Number: 1-888-895-2110 M-F; 8:30 am - 5:00 pm EST, or visit us online at [www.rubbermaid.com](http://www.rubbermaid.com)

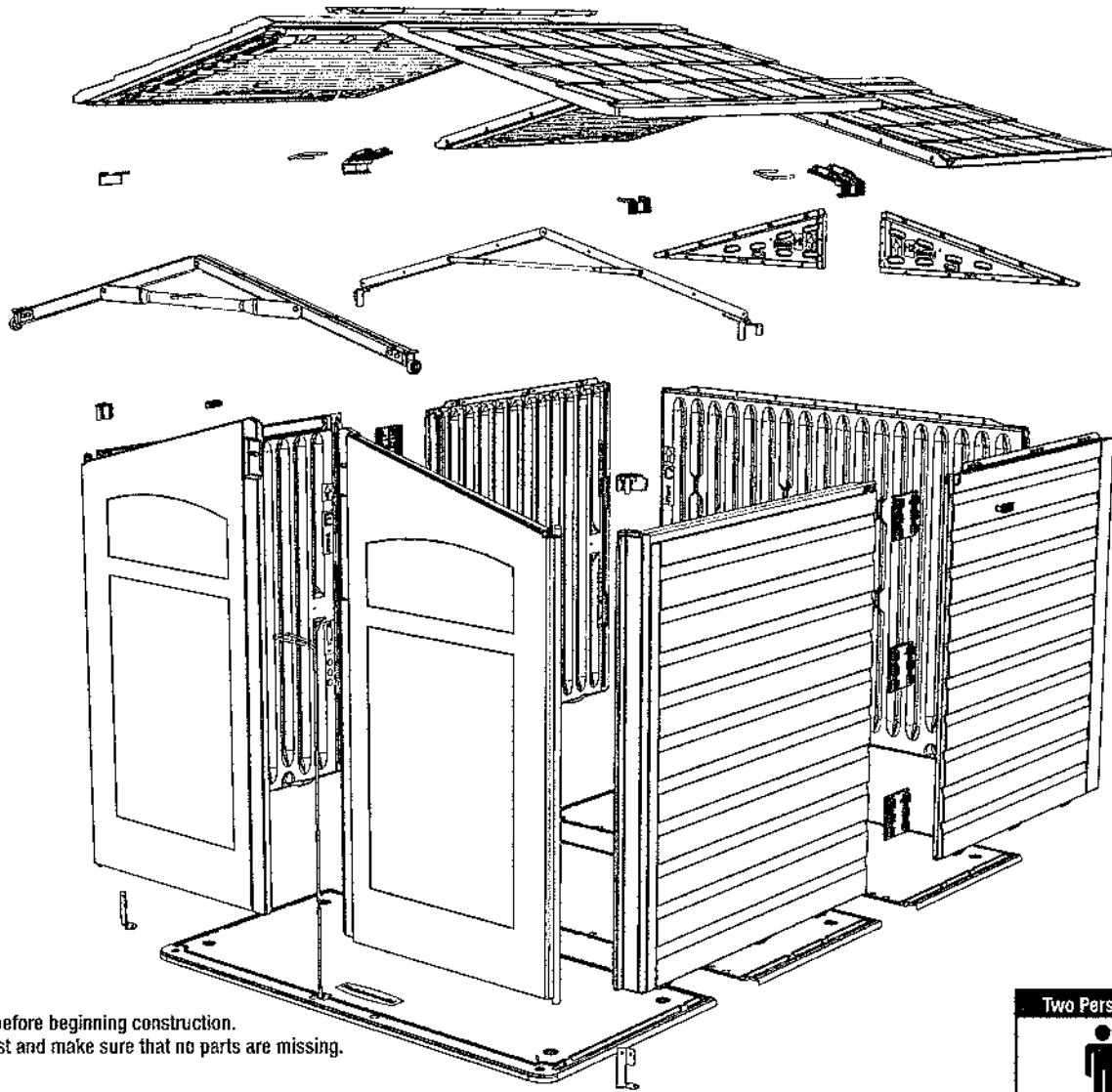


### **Installation Steps:**

- 1. Site Preparation**
- 2. Floor**
- 3. Walls and Doors**
- 4. Roof and Doors**
- 5. Finishing**

**Note:** Be sure to keep this instruction manual and your original store receipt to ensure our Consumer Service Department can accurately and quickly assist you if necessary.

PKA# 1812421



**PREASSEMBLY:**

- Review ALL steps before beginning construction.
- Review the parts list and make sure that no parts are missing.

**NOTE:**

- Be sure to keep this instruction manual and your original store receipt to ensure our Consumer Service Department can accurately and quickly assist you if necessary.
- To simplify assembly and to ensure proper engagement of all components, apply a mild detergent to dovetail and snap fits before assembling.



	Description	Part Number	Assembly Letter	Quantity
Floor	Front Floor	5L01	A	1
	Repeat Floor	5L13	B	2
Walls	Front Left Wall	3T10-E	E	1
	Back Left Wall	3T10-D	D	1
	Front Right Wall	3T11-G	G	1
	Back Right Wall	3T11-F	F	1
	Back Wall	3T12-C	C	1
	Left Gable	3T12-H-1	H-1	1
	Right Gable	3T12-H-2	H-2	1
Doors	Left Door	3T13-J	J	1
	Right Door	3T13-K	K	1
Roof	Back Left Roof	3T14-L	L	1
	Back Right Roof	3T14-M	M	1
	Front Left Roof	3T15-N	N	1
	Front Right Roof	3T15-O	O	1
Hardware	#14 x 3/4" Combo Pan Head Screw		AA	108*
	Roof Pin	NP-5J22	FF	4
	Roof Pin Assembly Tool	M3 5J22	GG	1
	Accessory Bracket	5H88		8

	Description	Part Number	Assembly Letter	Quantity
Hardware	Wall Connector	5H75	Q	6
	Left Hinge Bracket	3T16	LEFT	1
	Right Hinge Bracket	3T17	RIGHT	1
	Roof Guide Bracket	3T18	3T18	2
	Roof Guide Block	3T19	3T19	2
	Roof Guide	3T20	3T20	2
	Back Roof Support		BB	2
	Back Roof Collar		CC	1
	Back Left Roof Support Bracket		DD	1
	Back Right Roof Support Bracket		EE	1
	Front Roof Connector		GG	1
	Front Roof Support		HH	2
	Front Roof Collar Tie		JJ	1
	1/4-20 x 0.750 Hex Bolt		KK	9
	1/4-20 UNC Hex Lock Nut		LL	9
	Roof Pin SL-250		MM	2
	Roof Roller		OO	2
Corner Bracket		PP	2	
Carne Bolt		QQ	1	
Accessory Bracket		AB	8	

**Required Tools**

- Safety Glasses
- Gloves
- Utility Knife
- Rubber Mallet
- Phillips Screwdriver
- 7/16" Wrench
- Ratchet
- Phillips Bit
- Drill
- 1/8" Drill Bit
- Liquid Soap

\* Extra screws are supplied



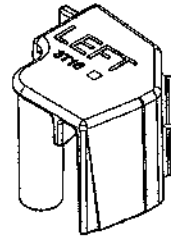
AA (x108)  
#14 x 0.750"



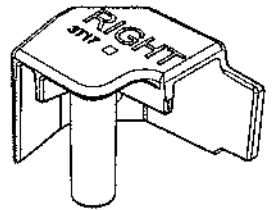
KK (x9)  
1/4-20 x 0.750"



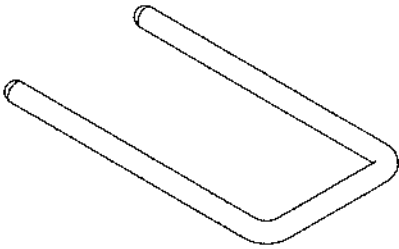
LL (x7)  
1/4-20 UNC



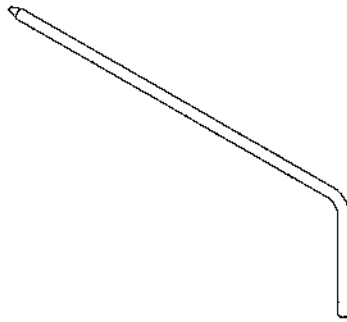
LEFT (x1)



RIGHT (x1)



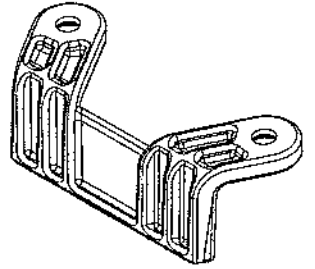
MM (x2)



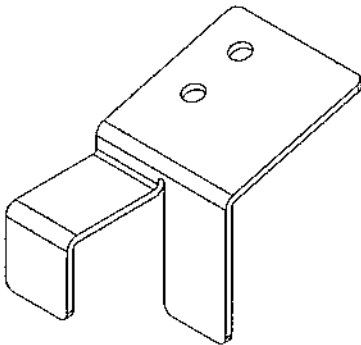
FF (x4)



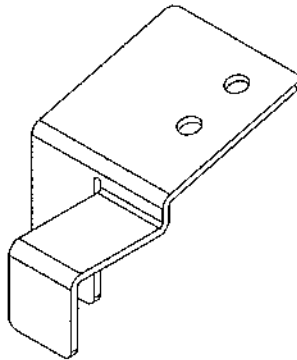
AB (x8)



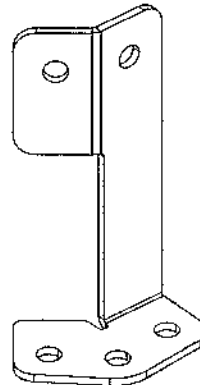
3T20 (x2)



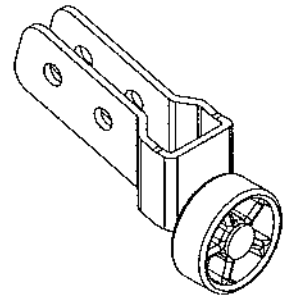
DD (x1)



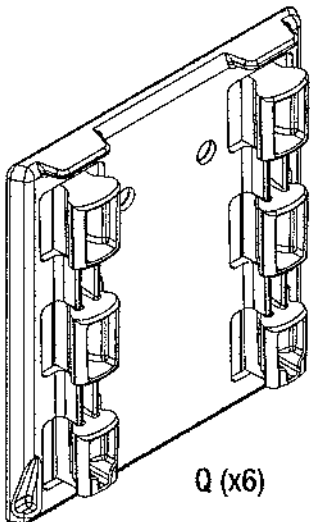
EE (x1)



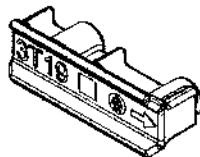
PP (x2)



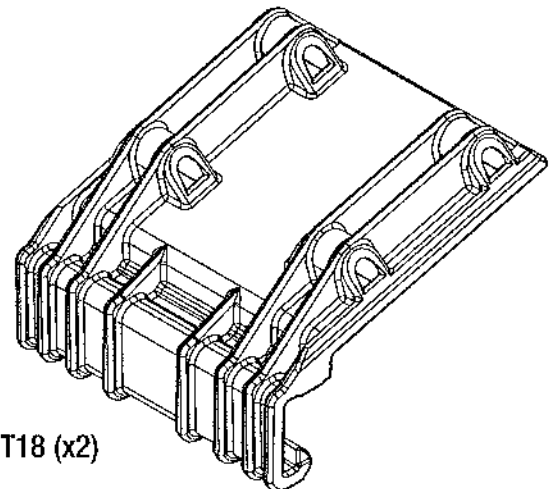
OO (x2)



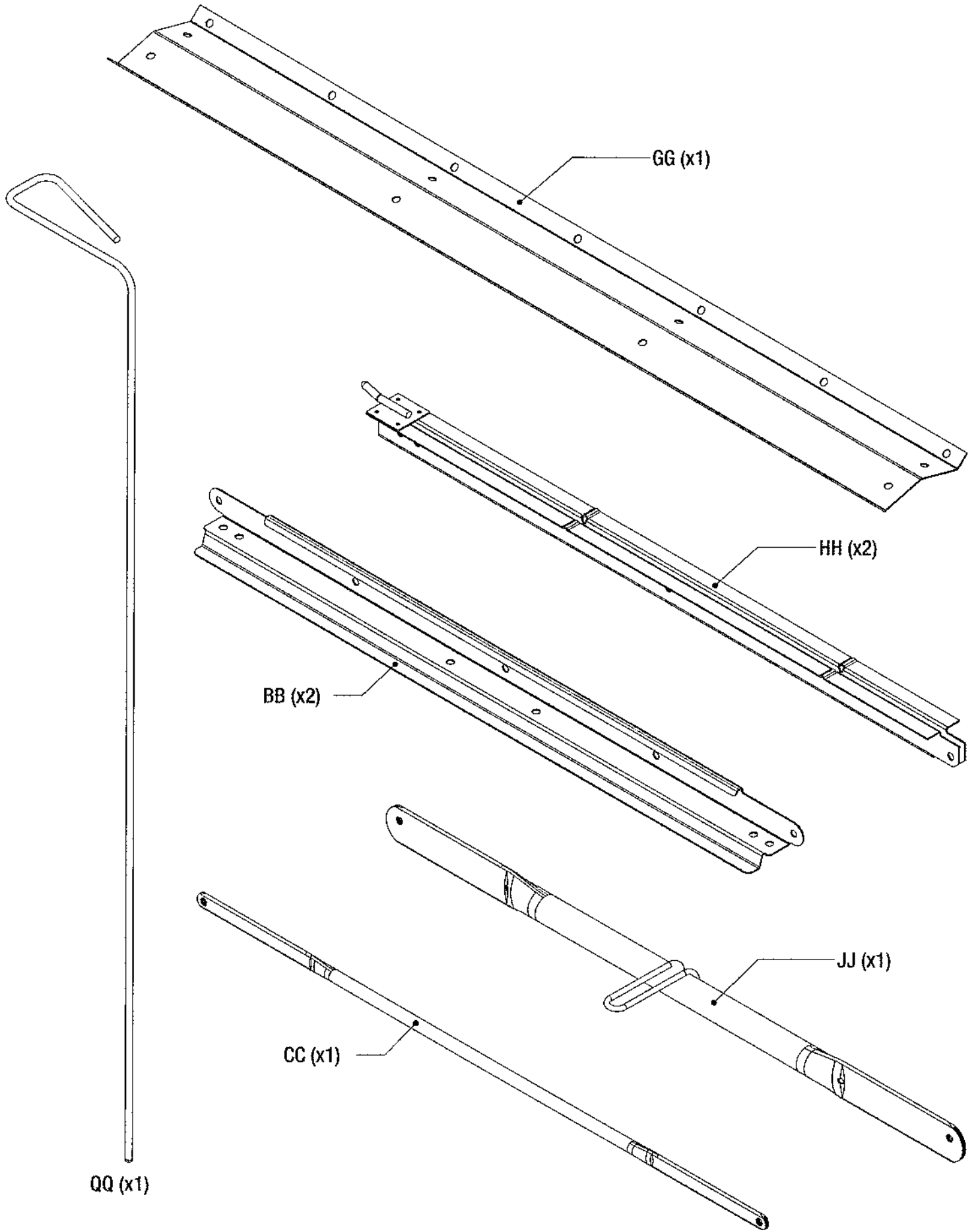
Q (x6)



3T19 (x2)



3T18 (x2)



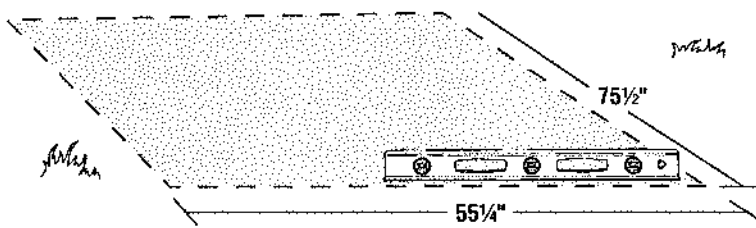
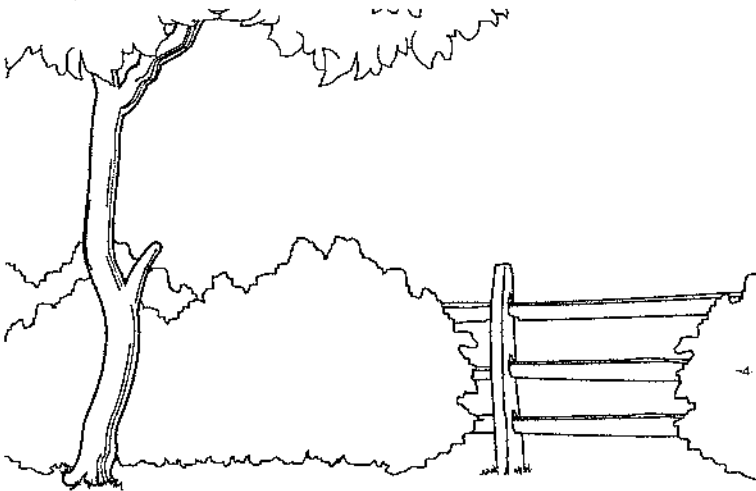
## CAUTIONS

- CAUTION:** Always use gloves when using a utility knife and handling/installing metal components.
- CAUTION:** Always use eye protection/safety glasses during assembly.
- CAUTION:** When installing screws, do not over-tighten.
- CAUTION:** Drill only through initial panel wall, unless otherwise indicated.

## CARE & USE

- Shed can be cleaned with water and mild detergent as necessary. **DO NOT USE ABRASIVE DETERGENTS, MATERIALS OR CLEANING TOOLS.**
- To maximize your shed's performance, remove excessive snow and/or leaf accumulation from the roof.
- In the event of severe weather, please disassemble and store in a secure location.
- Never climb on roof or store objects on roof.
- Always clear roof before opening front section.

# 1.0 Site Preparation

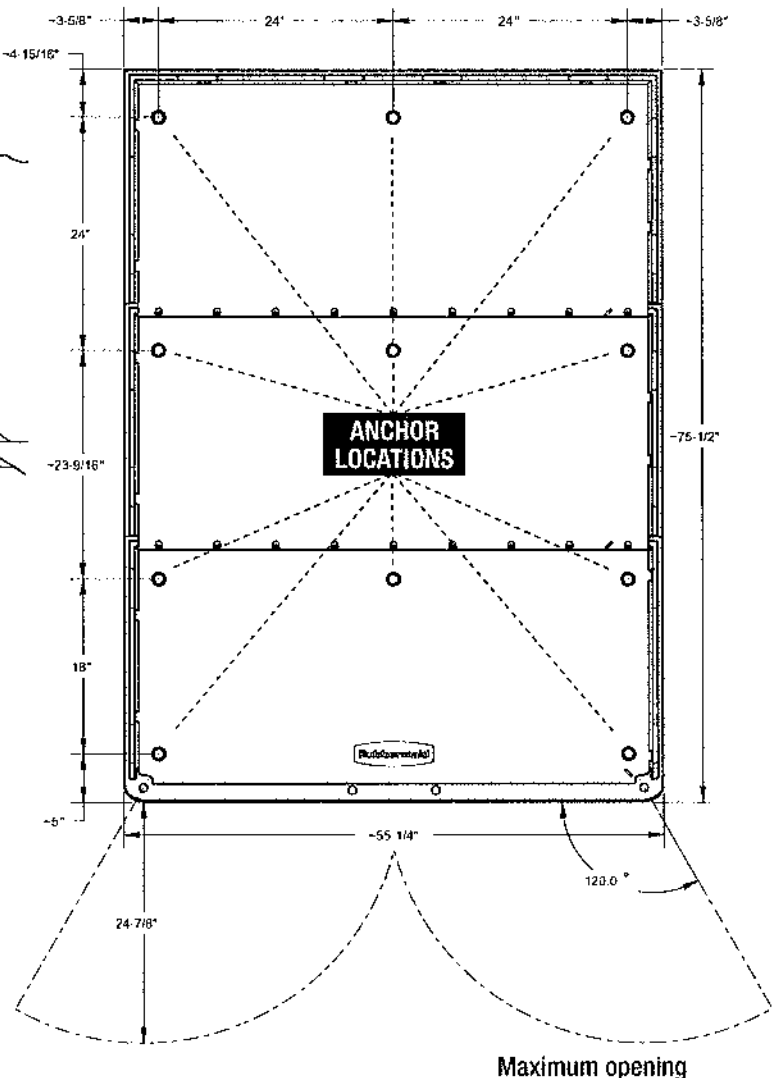


### FLOOR PLAN:

Size the construction site to fit the entire floor.

### OPTIONAL STEP:

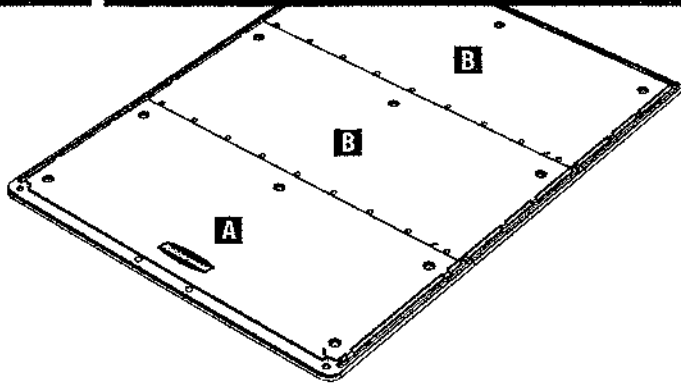
If desired, recessed anchor locations (11 places) can be used to anchor the shed floor to a foundation after you have constructed one.



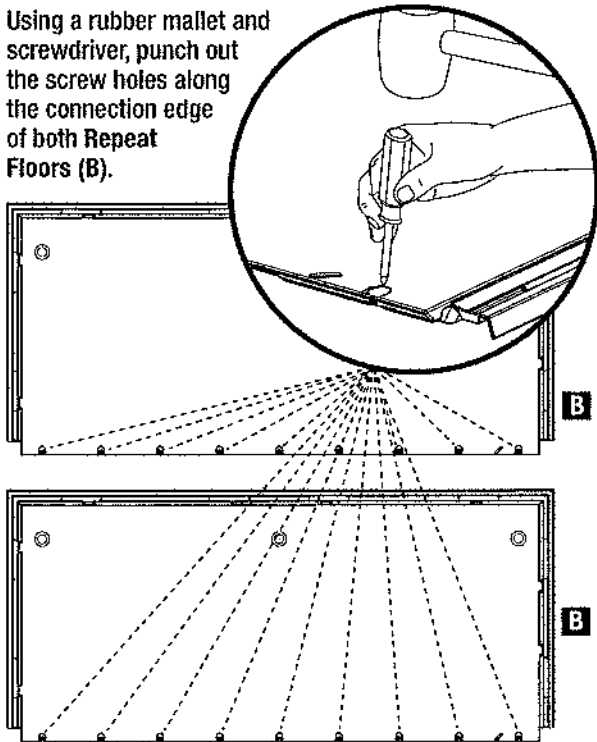
Build a solid, level surface for the shed foundation. Consult your local building authority for ordinances, restrictions or permits required before building any structure at your home.

**Note:** Minimum dimensions for foundations shown.

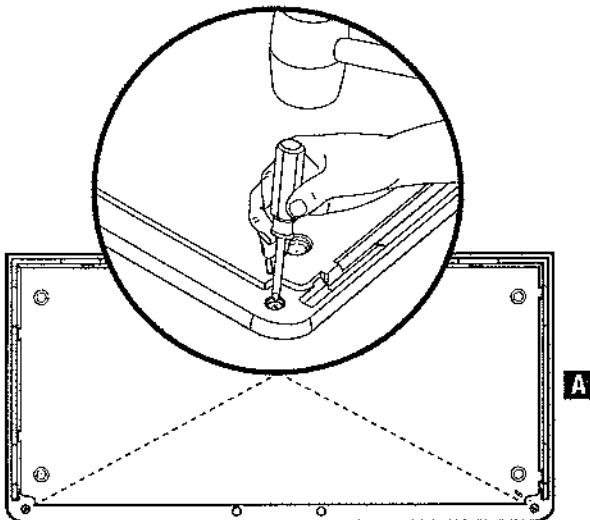
# 2.0 Floor Installation



**a.** Using a rubber mallet and screwdriver, punch out the screw holes along the connection edge of both Repeat Floors (B).

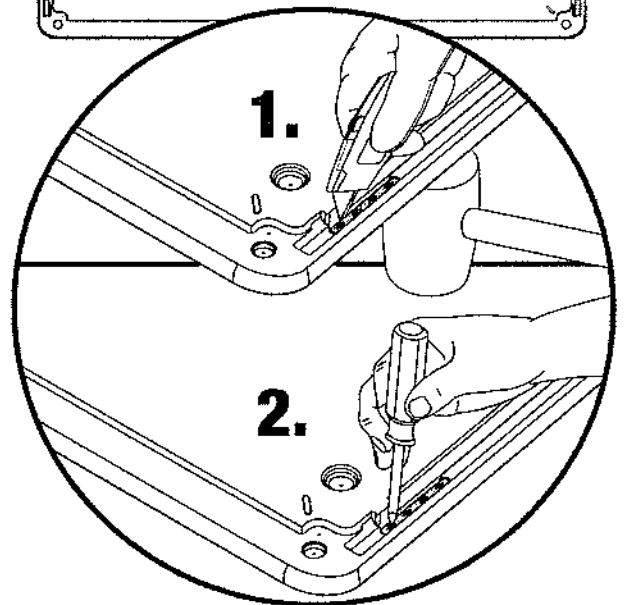
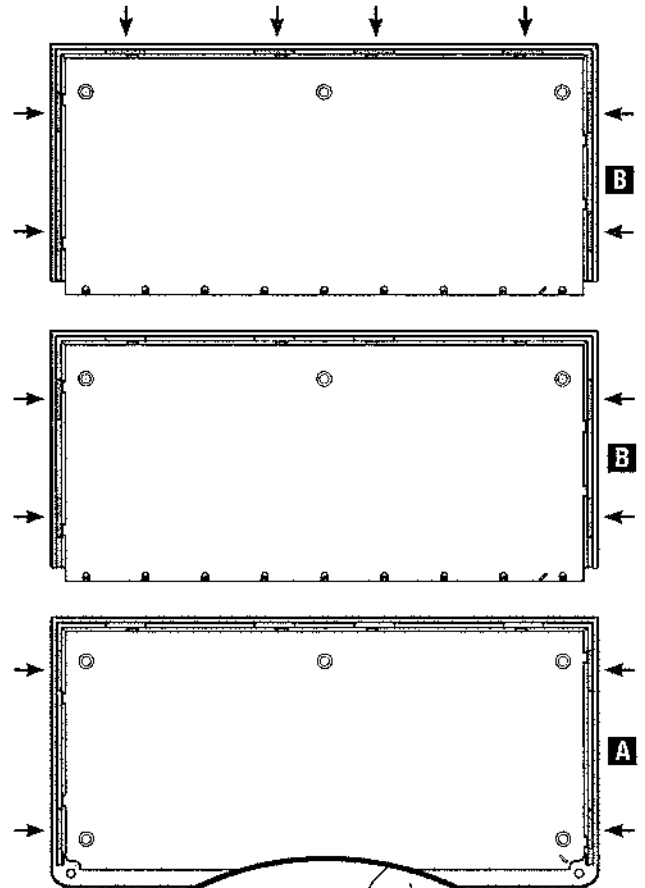


**c.** Using a rubber mallet and screwdriver, knock out the tabs for the door hinge, two places on Front Floor (A).



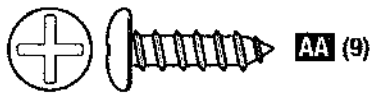
**b.** Using a utility knife, cut the long side of each wall slot tab and then use a rubber mallet and screwdriver to knock it out:

- 4 places on Front Floor (A)
- 4 places on Repeat Floor (B): middle location
- 8 places on Repeat Floor (B): rear location

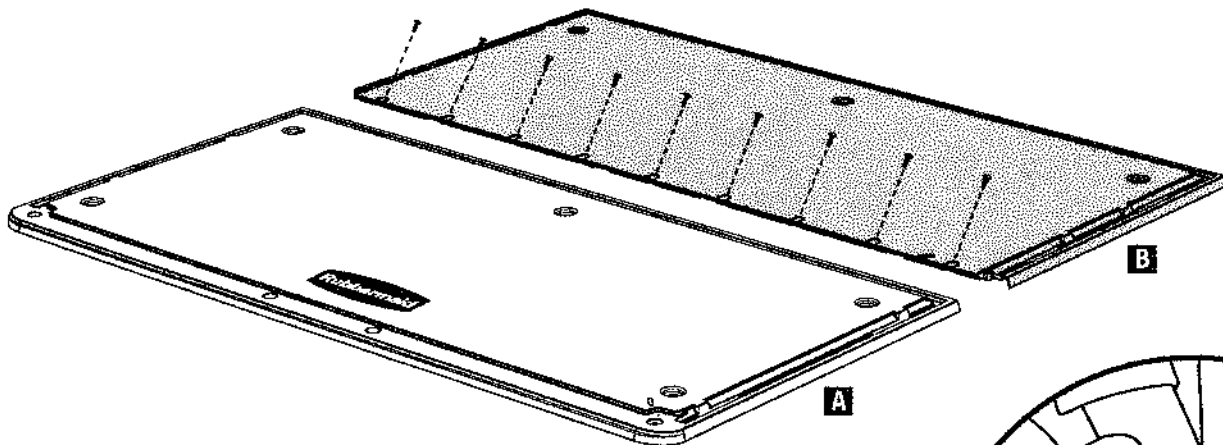


## 2.1 Floor Installation

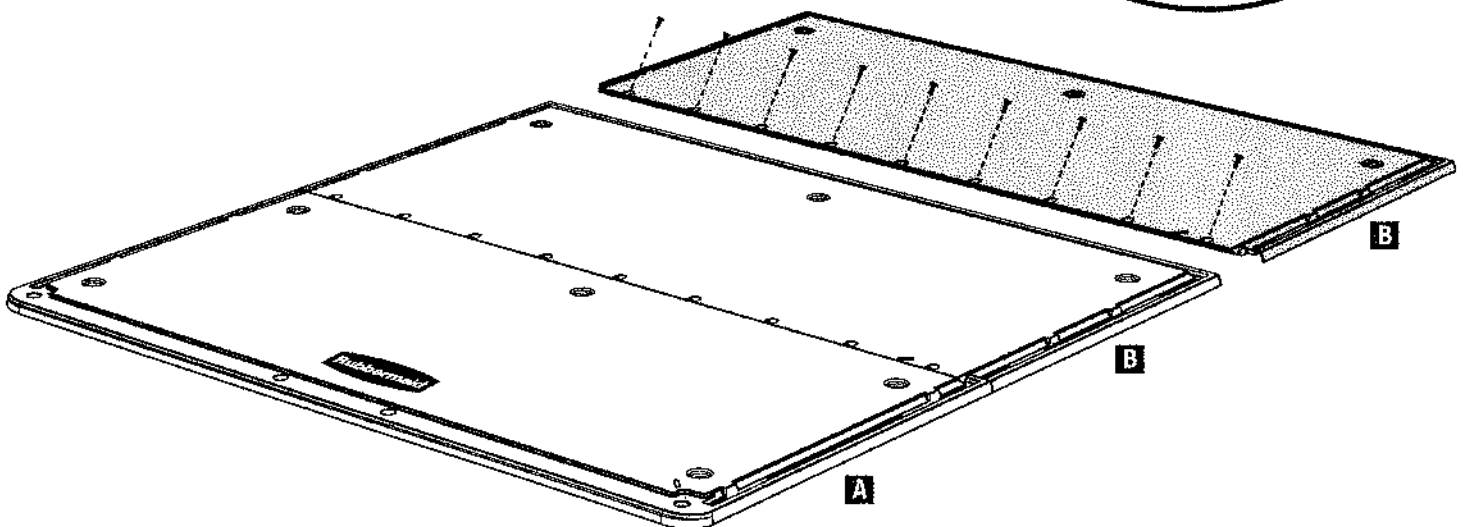
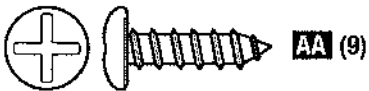
- a. Connect and align middle position Repeat Floor (B) to Front Floor (A) and install Screws (AA) in nine places; keep panels aligned and even while installing screws. Do not drill through both walls.



**HELPFUL HINT:** Pilot holes may be drilled for the screws using a 1/8" drill bit.  
**CAUTION:** Do not over-tighten screws.



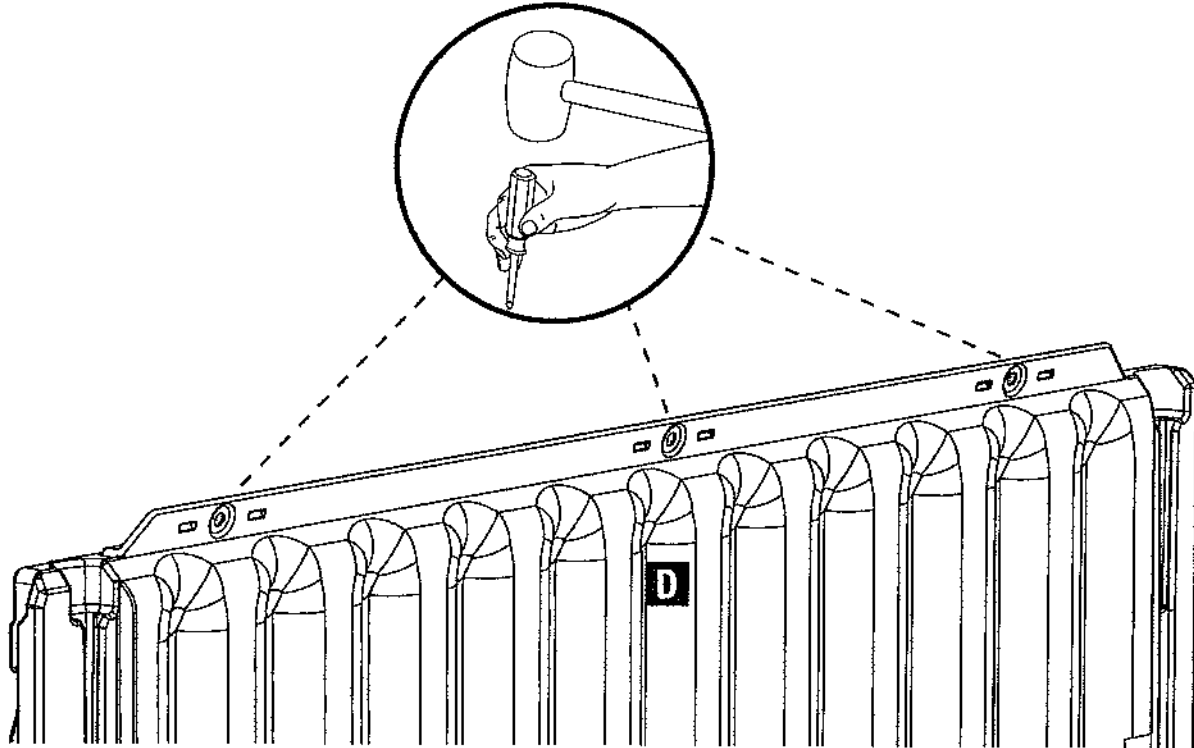
- b. Connect and align back position Repeat Floor (B) to middle position Repeat Floor (B) and install Screws (AA) in 9 places; keep panels aligned and even while installing screws. Do not drill through both walls.



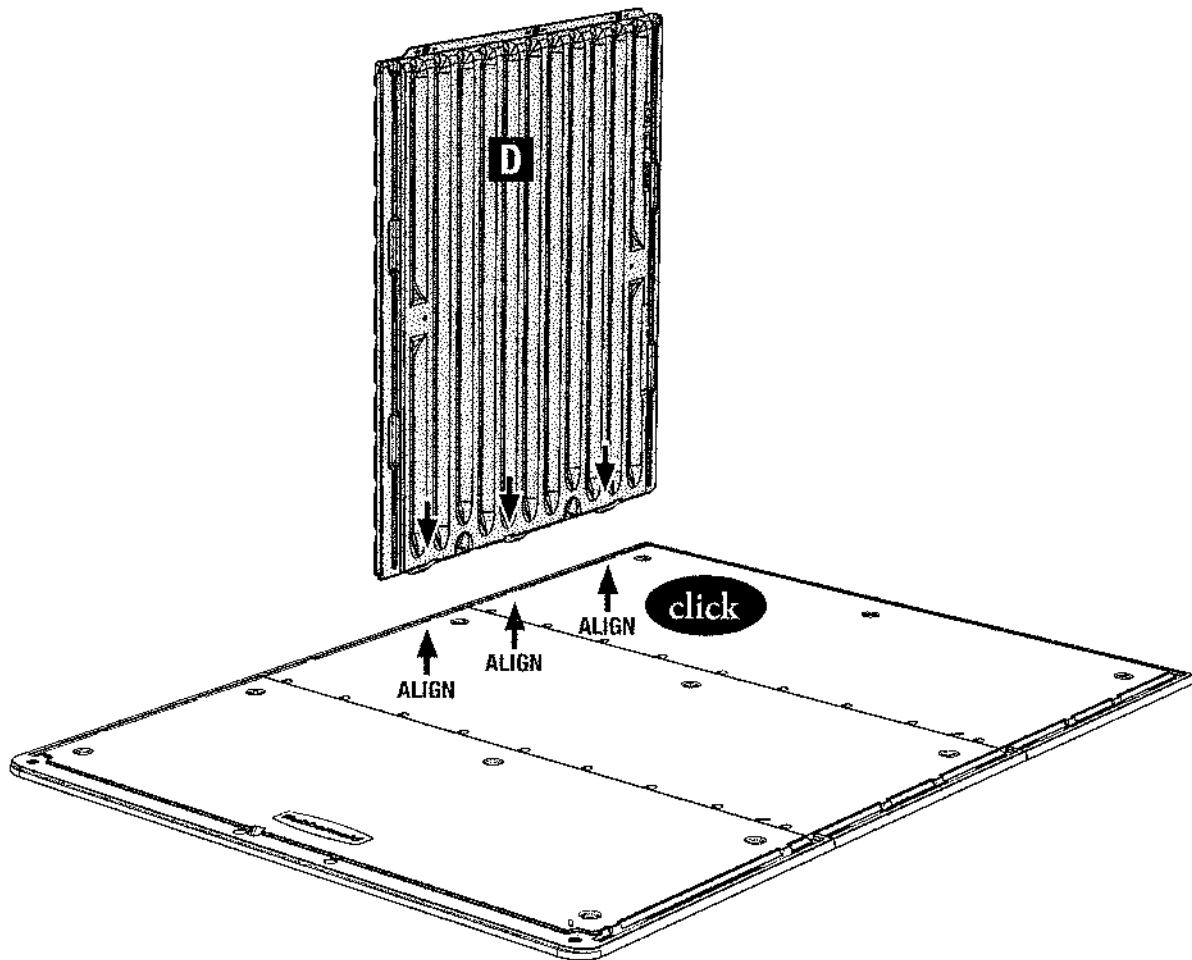
**HELPFUL HINT:** Pilot holes may be drilled for the screws using a 1/8" drill bit.  
**CAUTION:** Do not over-tighten screws.

## 3.0 Back Left Wall Panel D Installation

- a. Using a screwdriver, punch out the screw holes on the top of Back Left Wall (D) in three places.

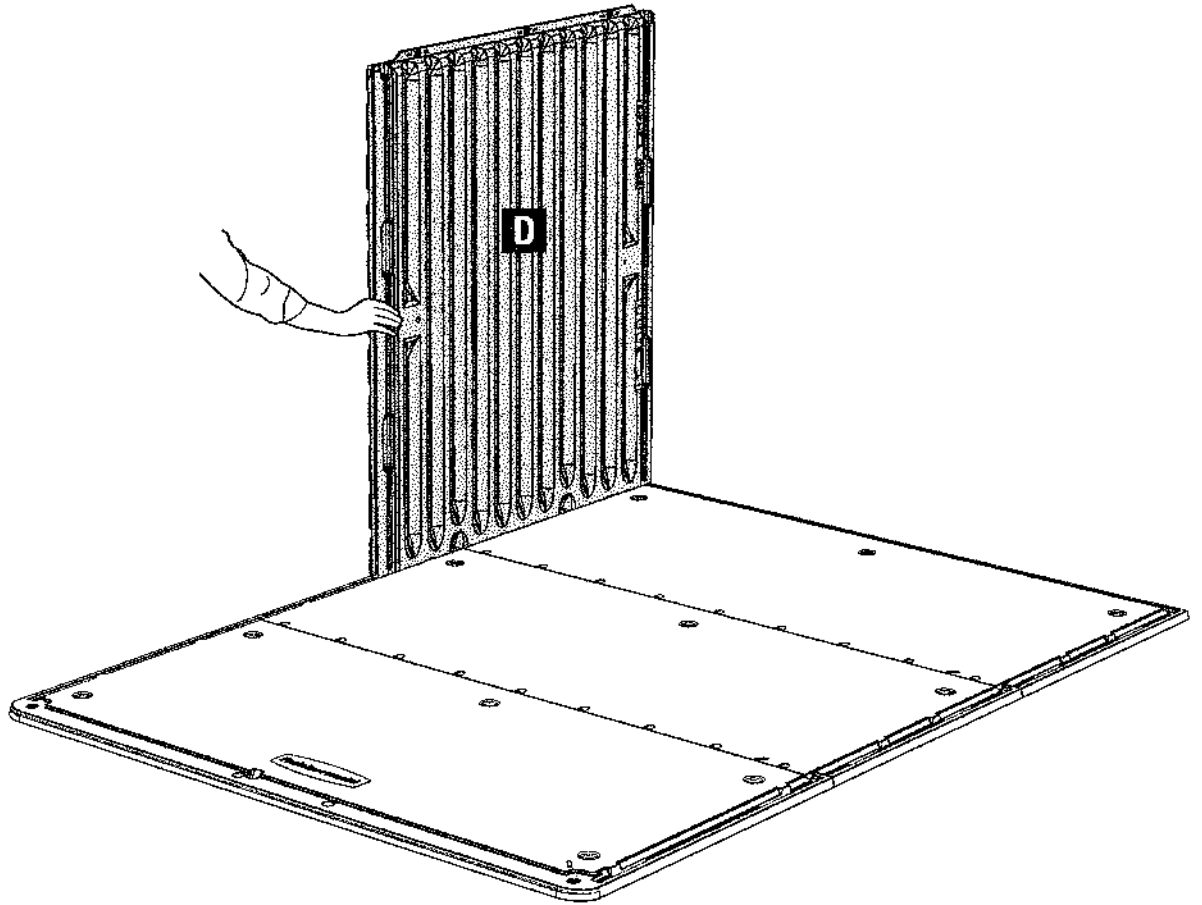


- b. Snap Back Left Wall (D) into the left back corner of the floor.



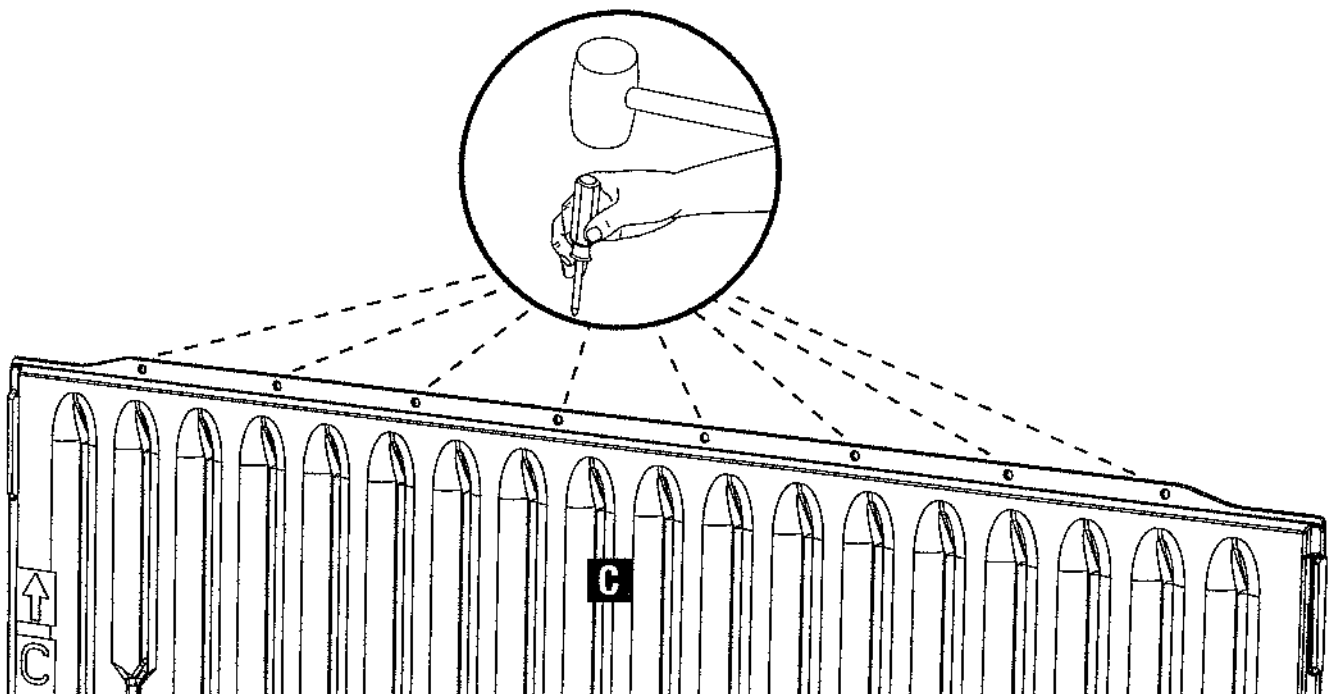


**C.** Hold Back Left Wall (D) upright to prevent it from falling (until Back Wall (C) is installed).



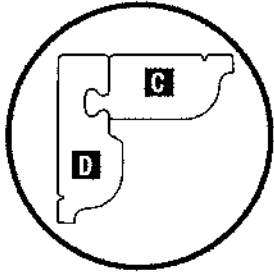
### 3.1 Back Wall Panel C Installation

**a.** Using a screwdriver, punch out the screw holes on the top of Back Wall (C) in eight places.

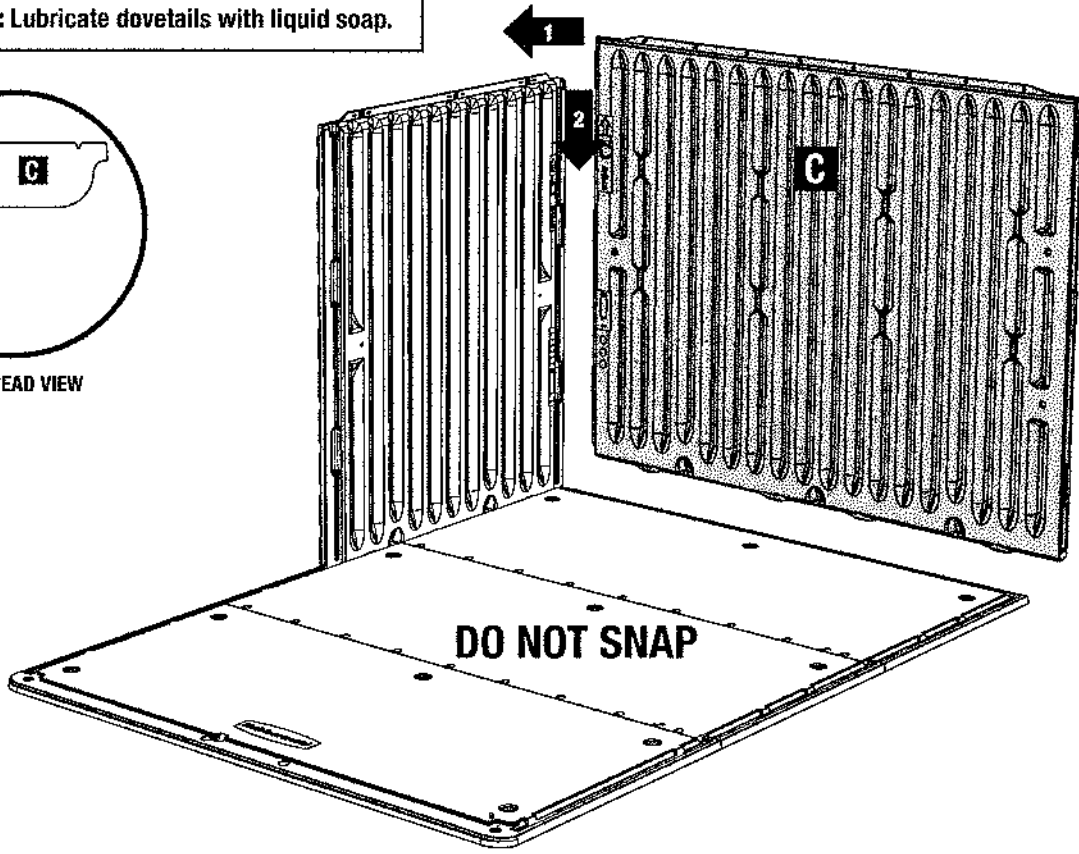


**b.** Connect Back Wall (C) into dovetails of Back Left Wall (D). Let Back Wall (C) rest on the floor. DO NOT SNAP into floor.

**HELPFUL HINT:** Lubricate dovetails with liquid soap.

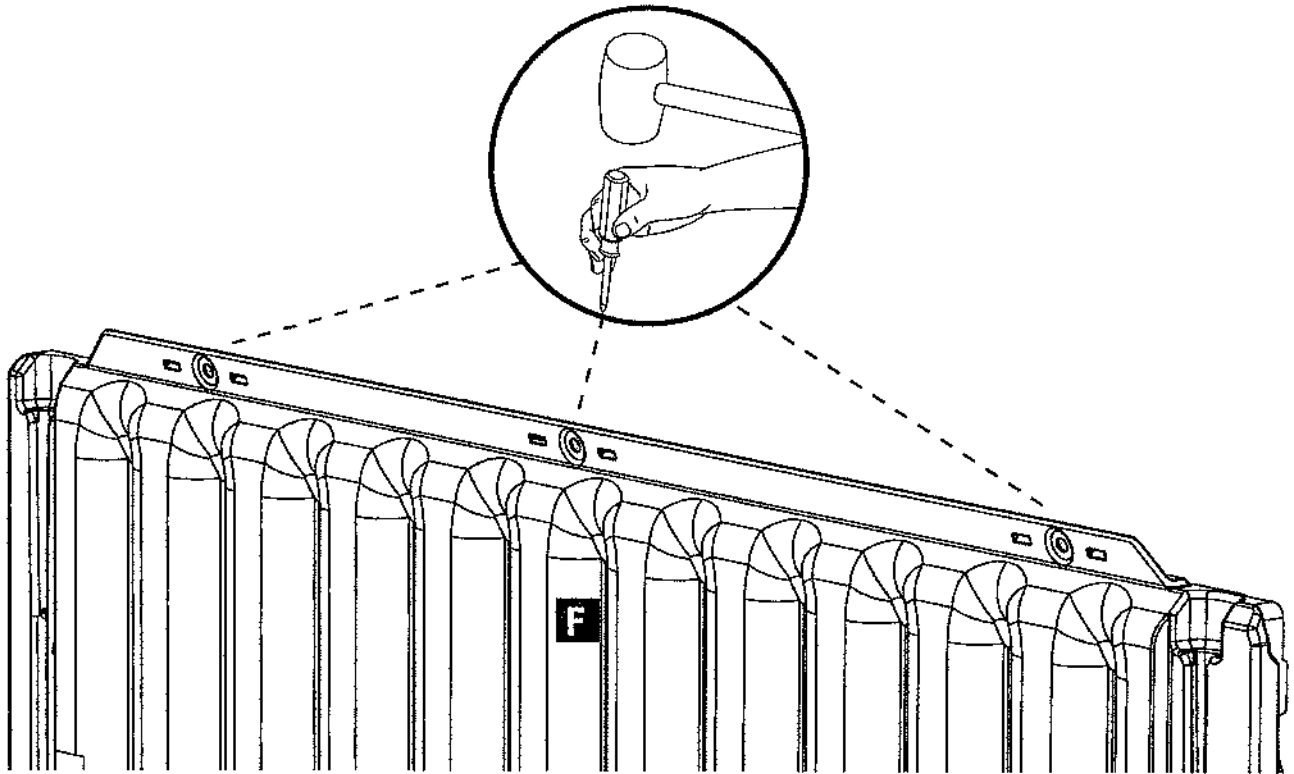


OVERHEAD VIEW

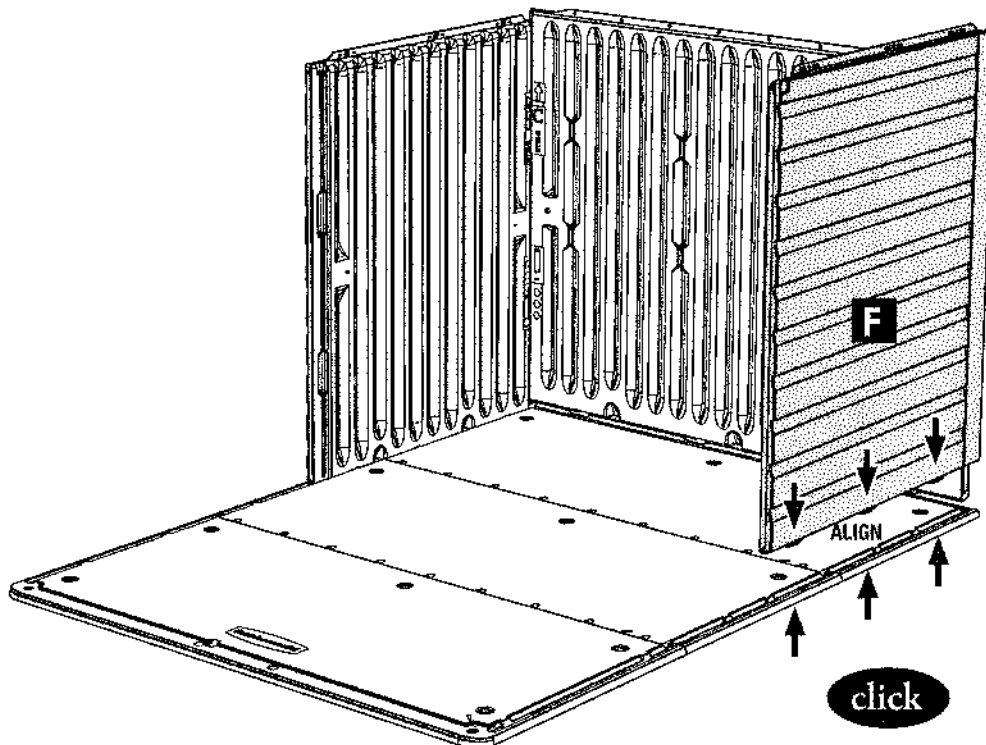


## 3.2 Back Right Wall Panel F Installation

- a. Using a screwdriver, punch out the screw holes on the top of Back Right Wall (F) in three places.

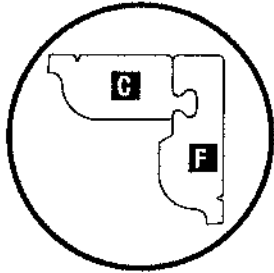


- b. Snap Back Right Wall (F) into the right back corner of the floor.

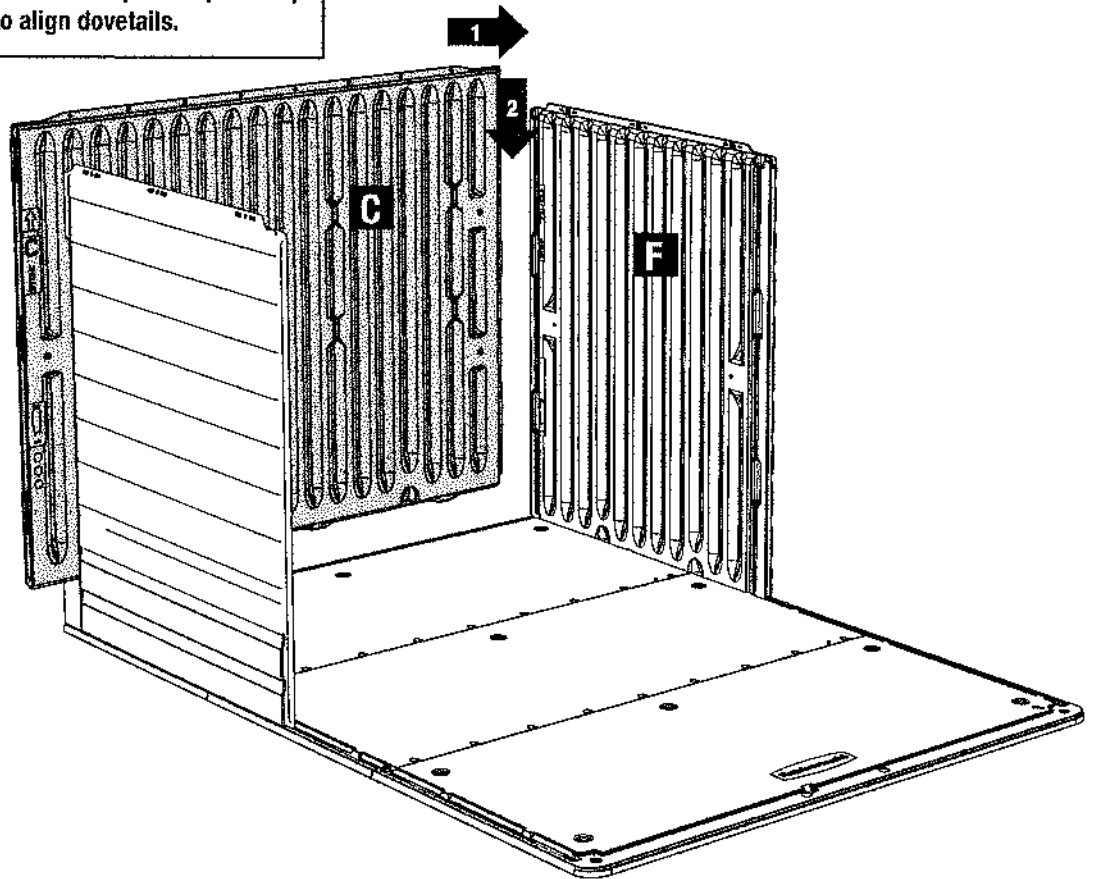


**C.** Connect Back Wall (C) into dovetails of Back Right Wall (F).

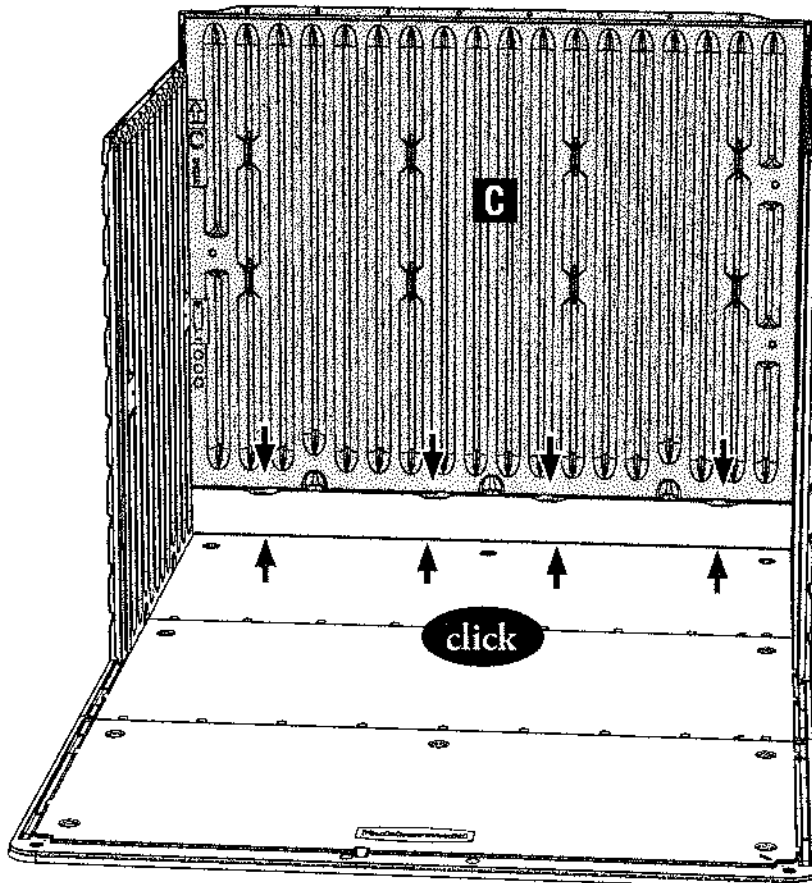
**HELPFUL HINT:** Lubricate dovetails with liquid soap. Lift up on right side of Back Wall (C) to align dovetails.



OVERHEAD VIEW

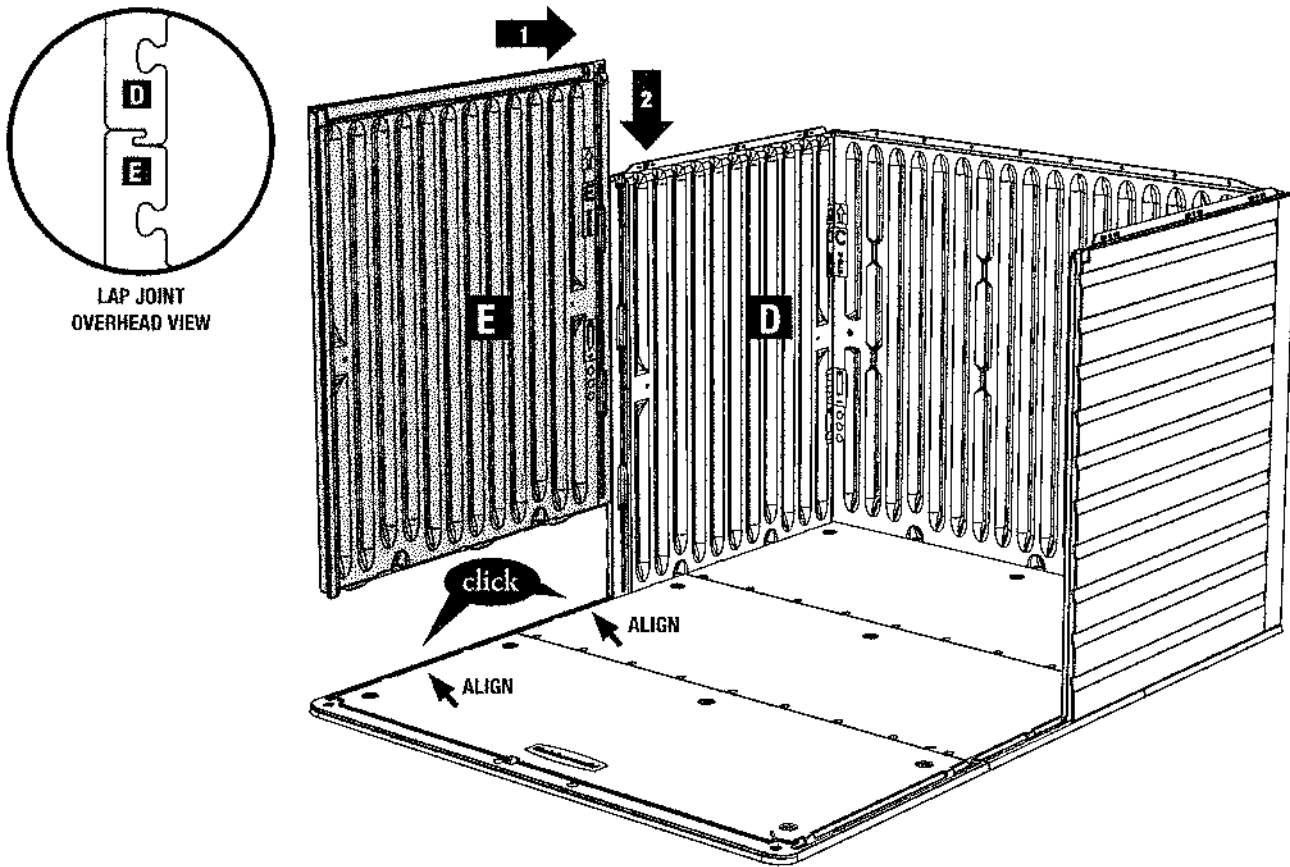


**d.** Snap Back Wall (C) into floor.

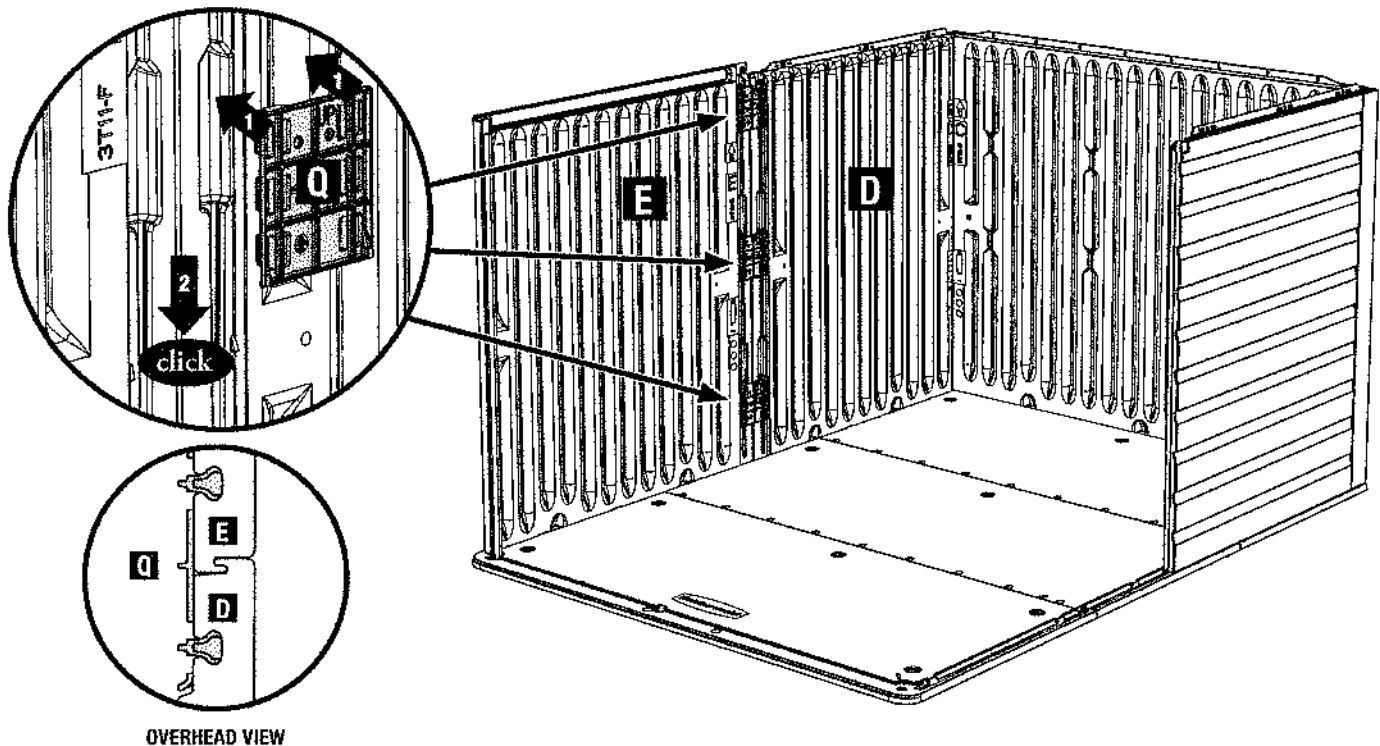


## 3.3 Front Left Wall Panel Installation

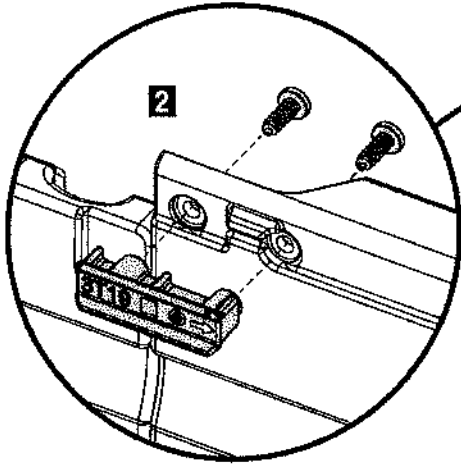
- a. Align the lap joint between Front Left Wall (E) and Back Left Wall (D). Snap Front Left Wall (E) into the left front corner of the floor.



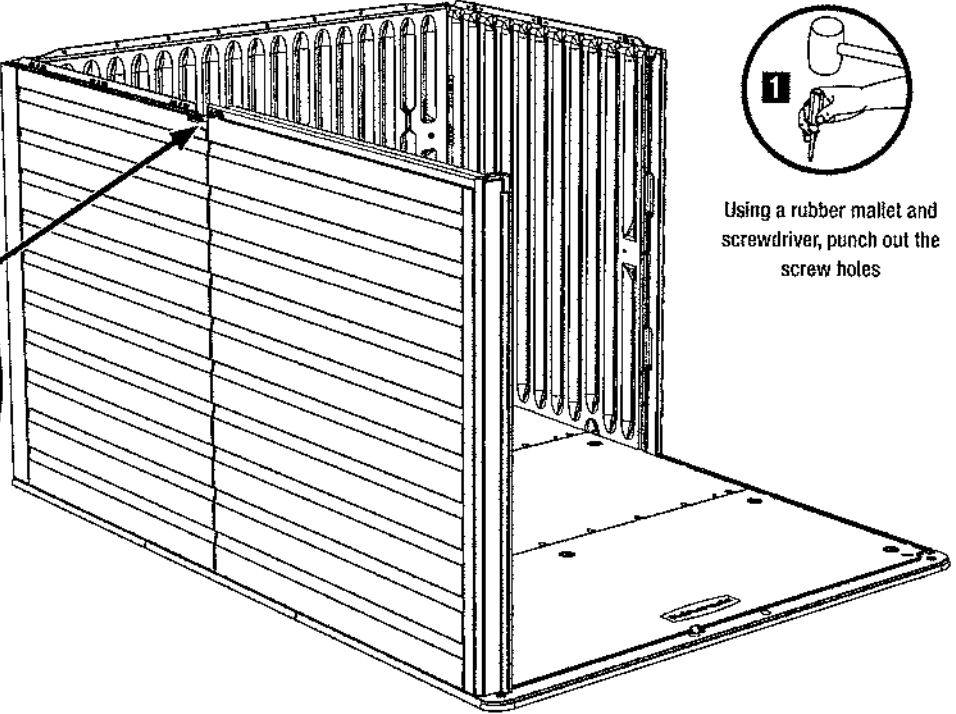
- b. Install Wall Connector (Q) in 3 places connecting Front Left Wall (E) and Back Left Wall (D). Position connectors in slots and slide down to snap in place.



**C.** Install Roof Guide Block (3T19) onto Front Left Wall (E) using 2 Screws (AA). Arrow points to front of shed.



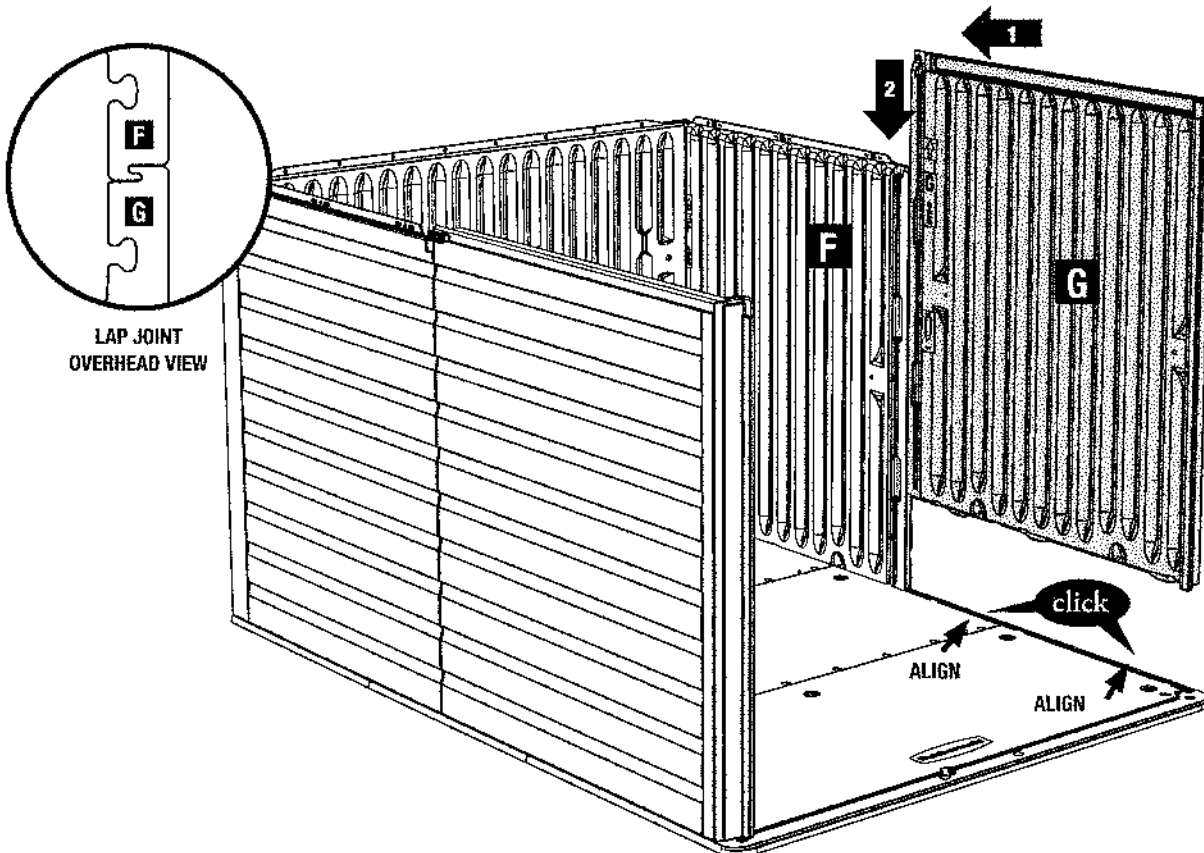
Using a rubber mallet and screwdriver, punch out the screw holes



ARROW POINTS TOWARD FRONT OF SHED.

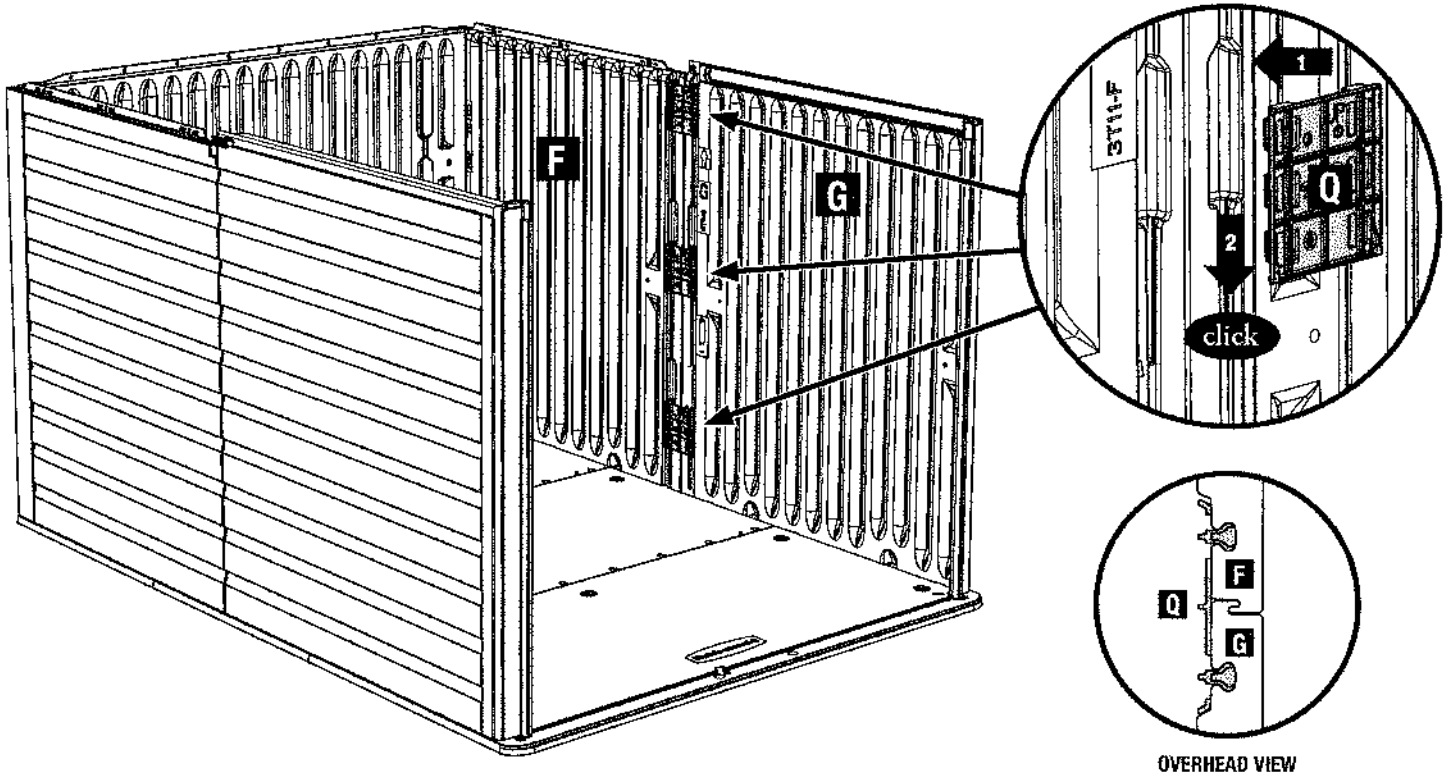
## 3.4 Front Right Wall Panel G Installation

**a.** Align the lap joint between Front Right Wall (G) and Back Right Wall (F). Snap Front Right Wall (G) into the right front corner of the floor.

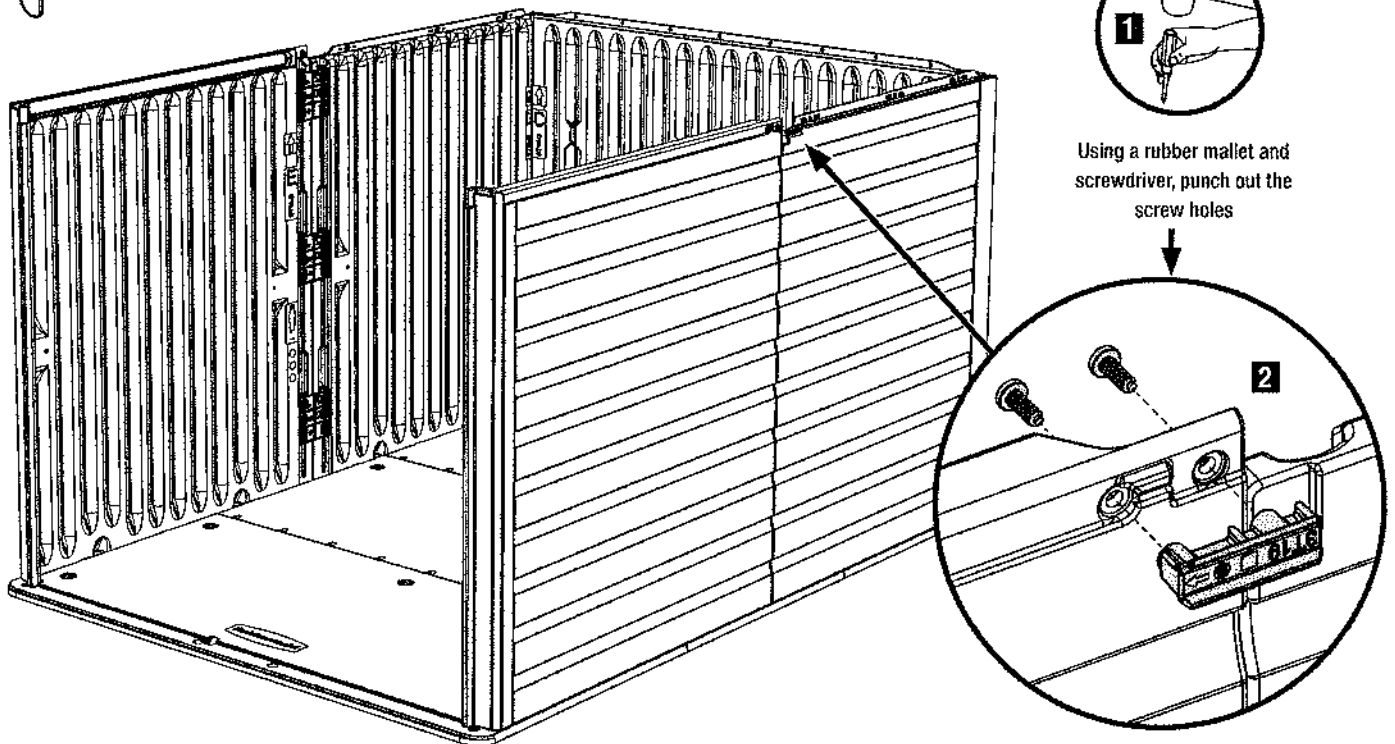
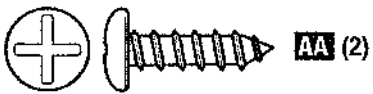


LAP JOINT  
OVERHEAD VIEW

- b.** Install Wall Connector (Q) in three places connecting Front Right Wall (G) and Back Right Wall (F). Position connectors in slots and slide down to snap in place.



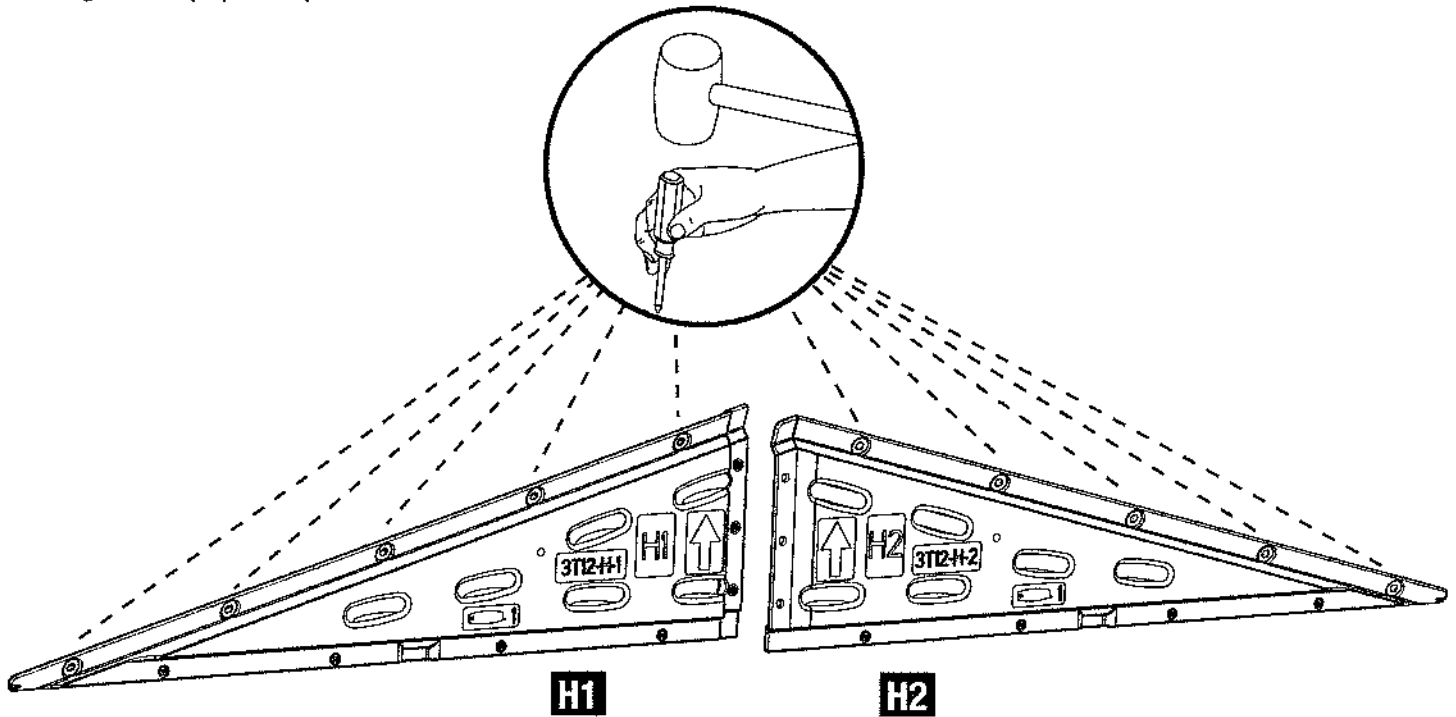
- c.** Install Roof Guide Block (3T19) onto Front Right Wall (G) using two Screws (AA). Arrow points toward front of shed.



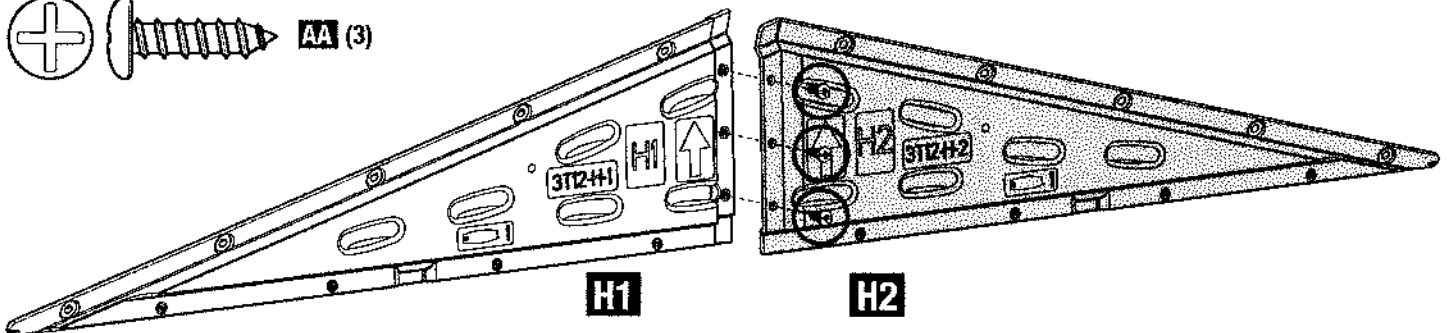
ARROW POINTS TOWARD FRONT OF SHED.

## 3.5 Gable Panel H1 and H2 Installation

- a. Using a screwdriver, punch out the screw holes on the top of Left Gable (H1) in five places, and the screw holes on the top and side of Right Gable (H2) in five places.

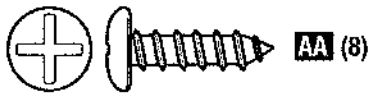


- b. Fasten Right Gable (H2) to Left Gable (H1) using three Screws (AA).

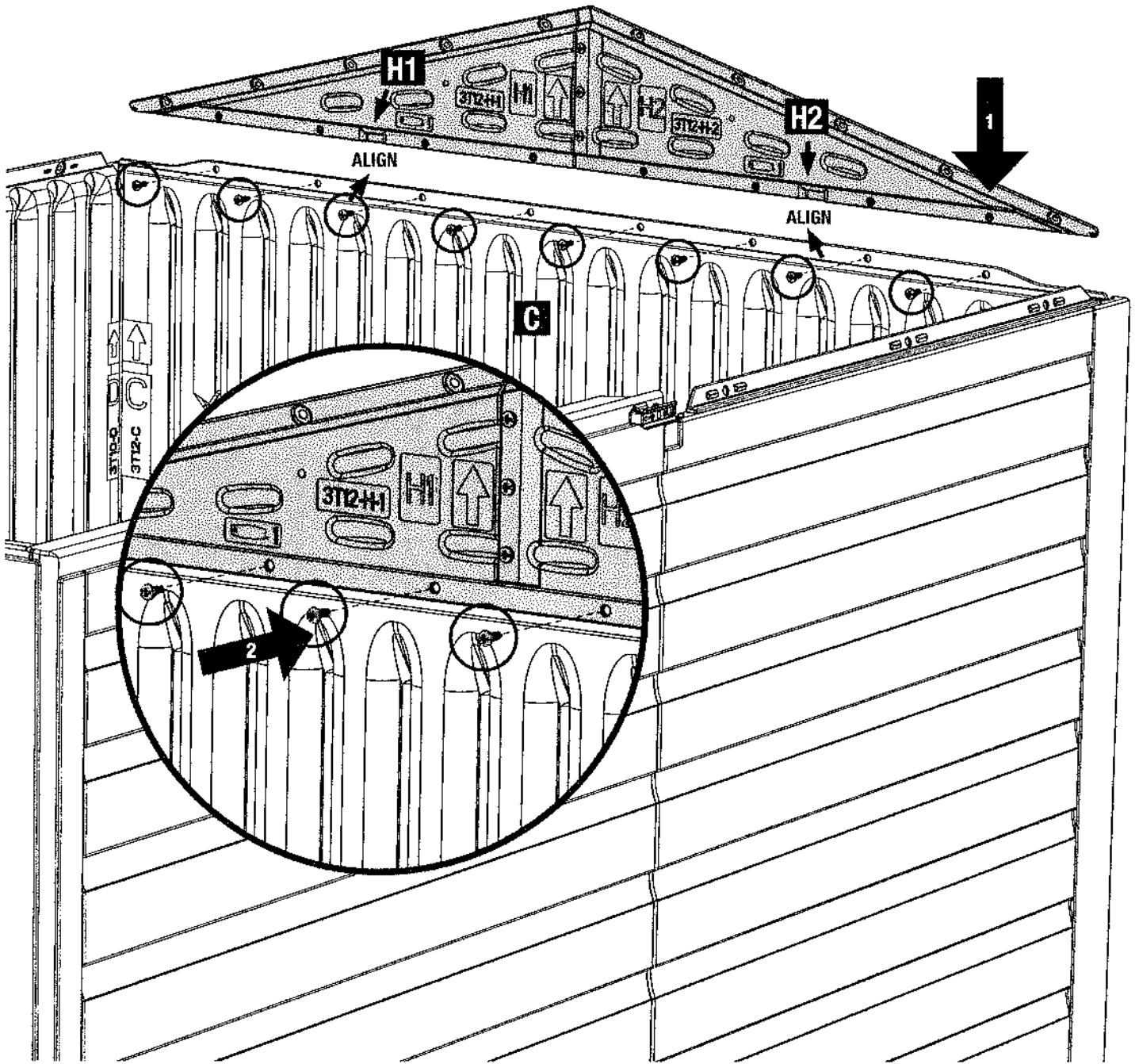




**C.** Install Gable Assembly (H1,H2) onto Back Wall (C) using eight Screws (AA). Have a second person hold in place while installing screws.

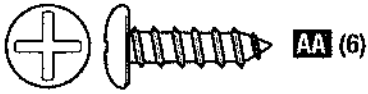


**CAUTION:** When installing screws, do not over-tighten.

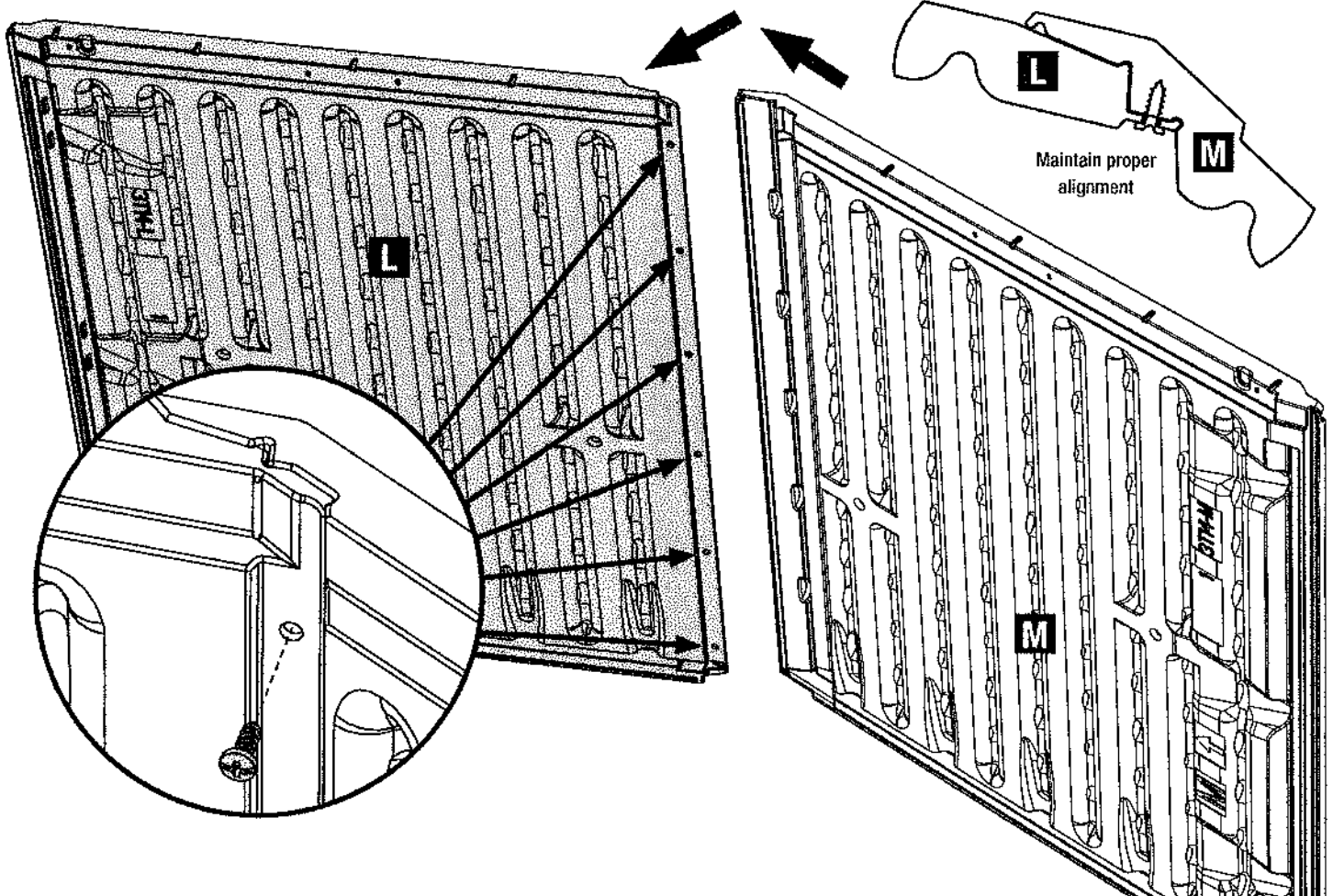


# 4.0 Back Roof Assembly

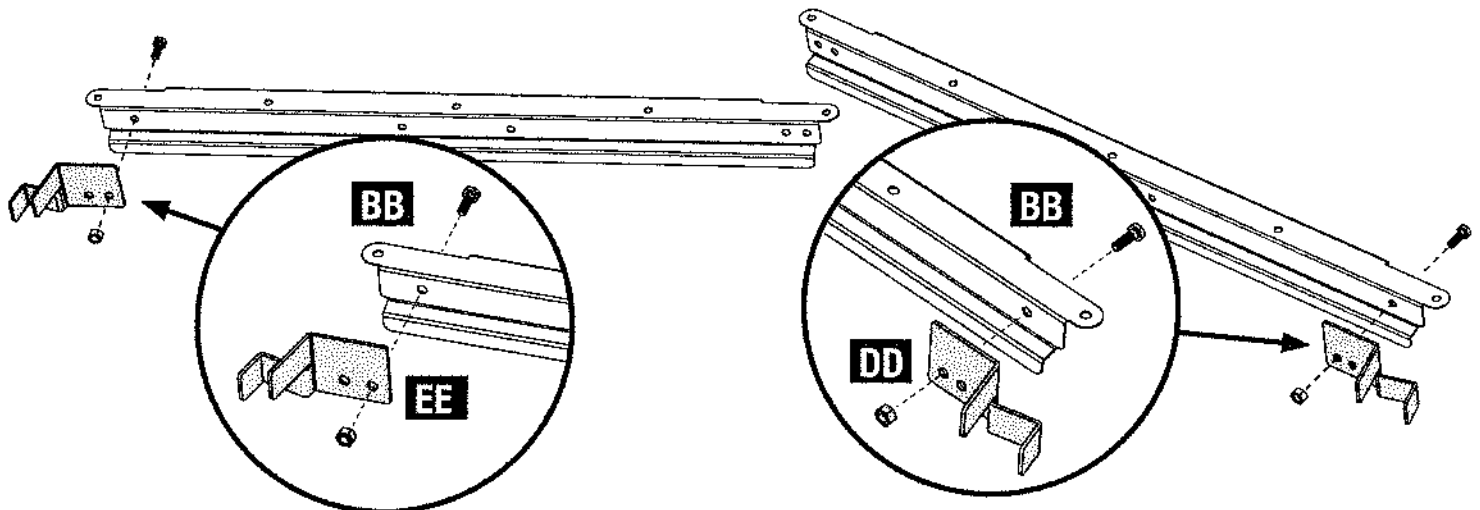
a. Fasten Back Left Roof (L) to Back Right Roof (M) using Screw (AA) in six places.



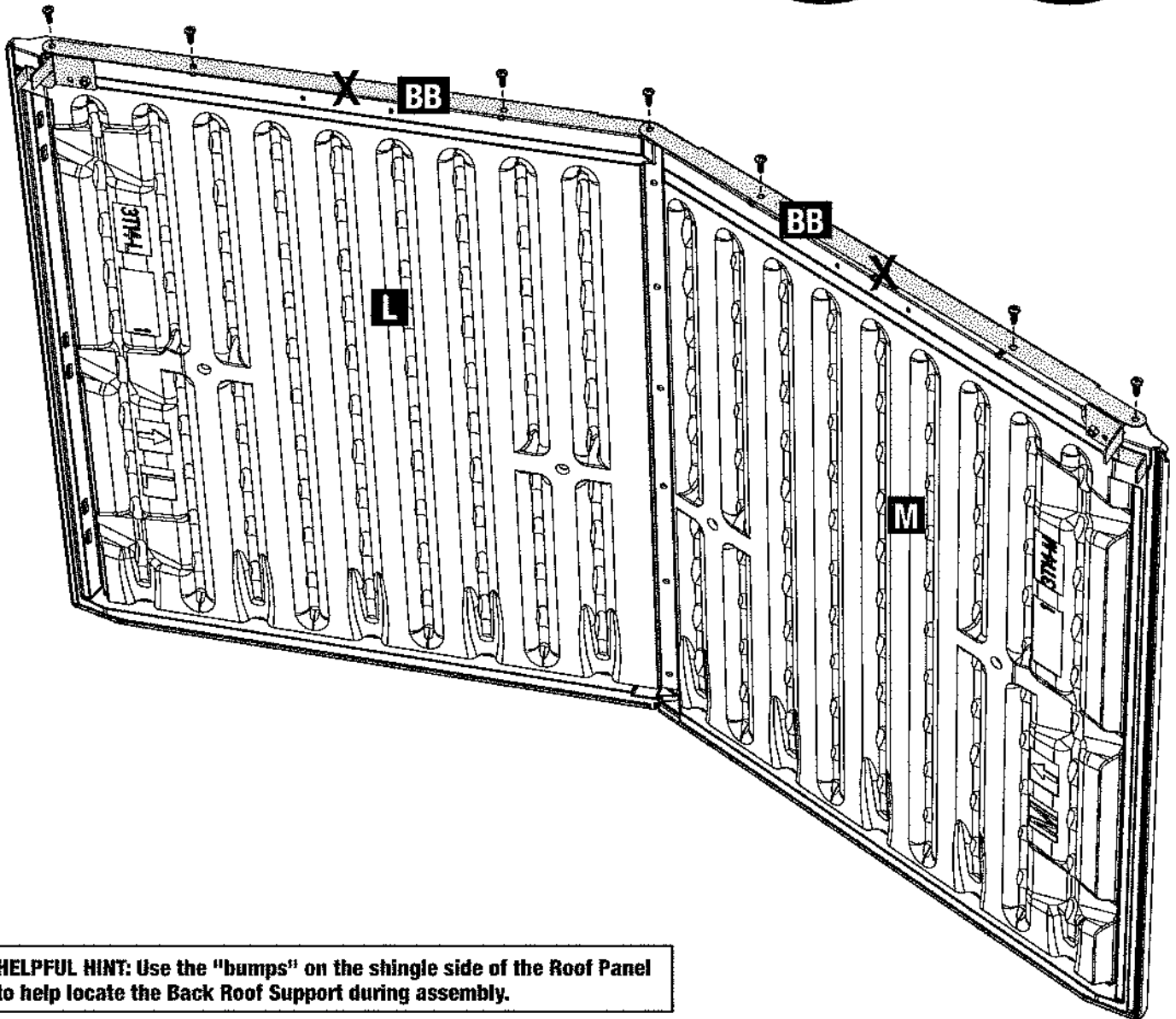
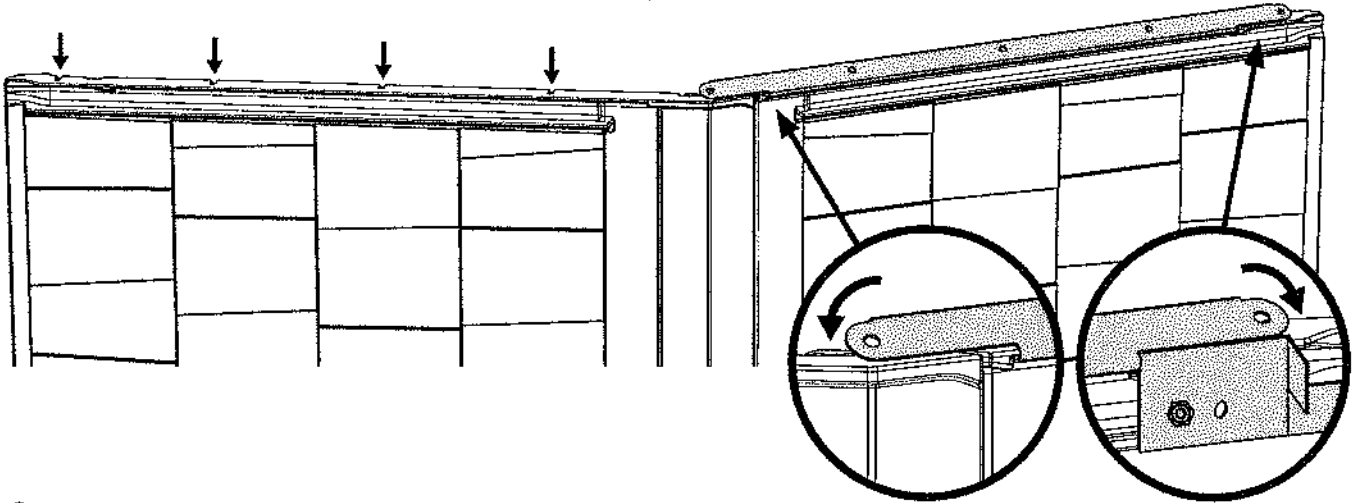
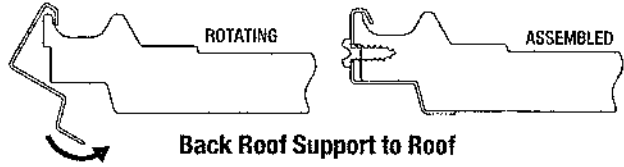
**CAUTION:** When installing screws, do not over-tighten.



b. Fasten Back Left Roof Support Bracket (DD) to Back Roof Support (BB) using 1 Bolt (KK) and Nut (LL) in one place. Fasten Back Right Roof Support Bracket (EE) to the other Back Roof Support (BB) using 1 Bolt (KK) and Nut (LL) in one place.

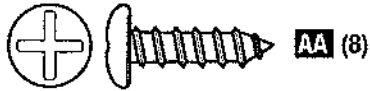


**C.** Rotate Back Roof Supports (BB) onto Back Left Roof (L) and Back Right Roof (M), fasten using Screw (AA) in seven places.

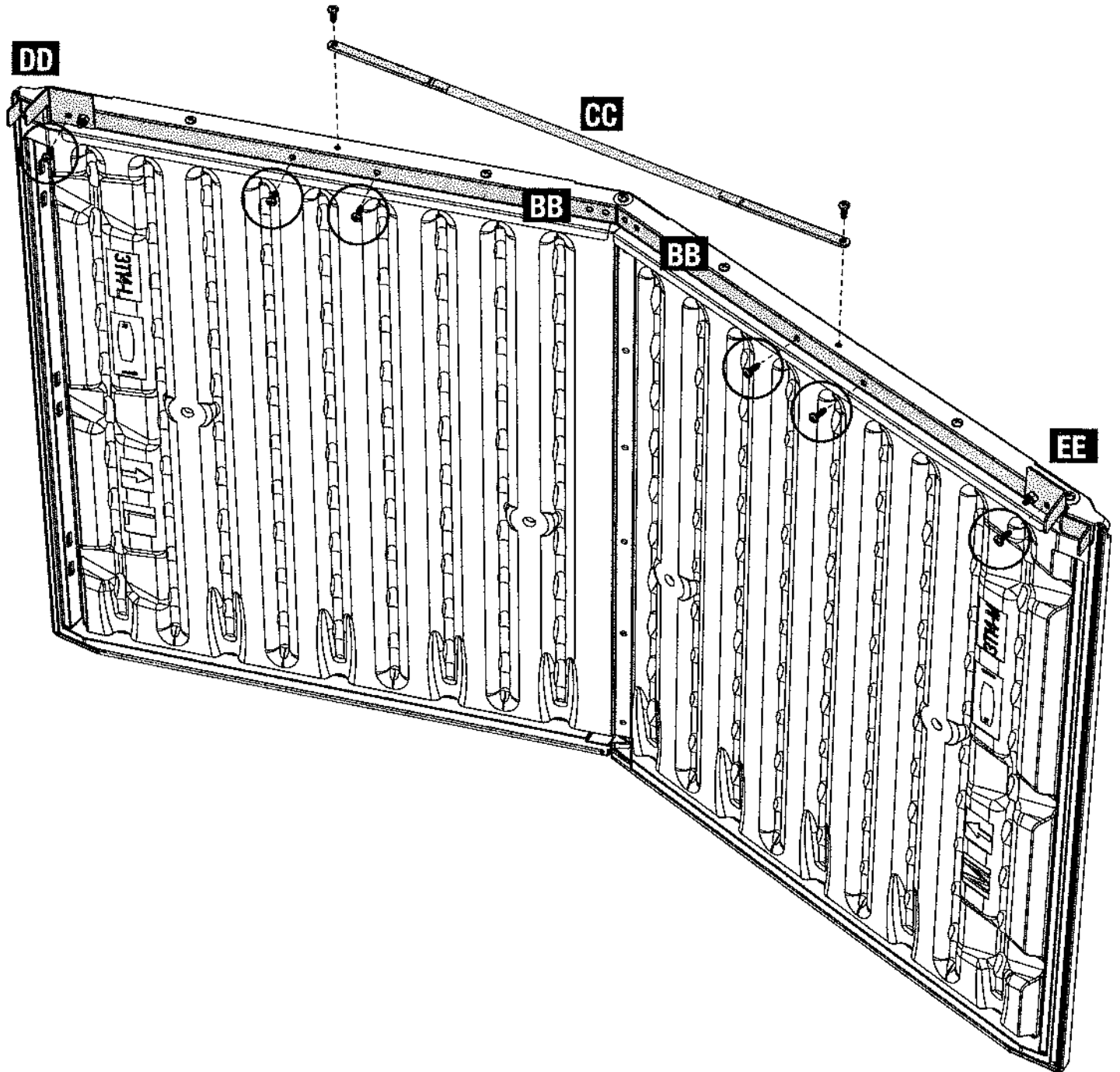


**HELPFUL HINT:** Use the "bumps" on the shingle side of the Roof Panel to help locate the Back Roof Support during assembly.

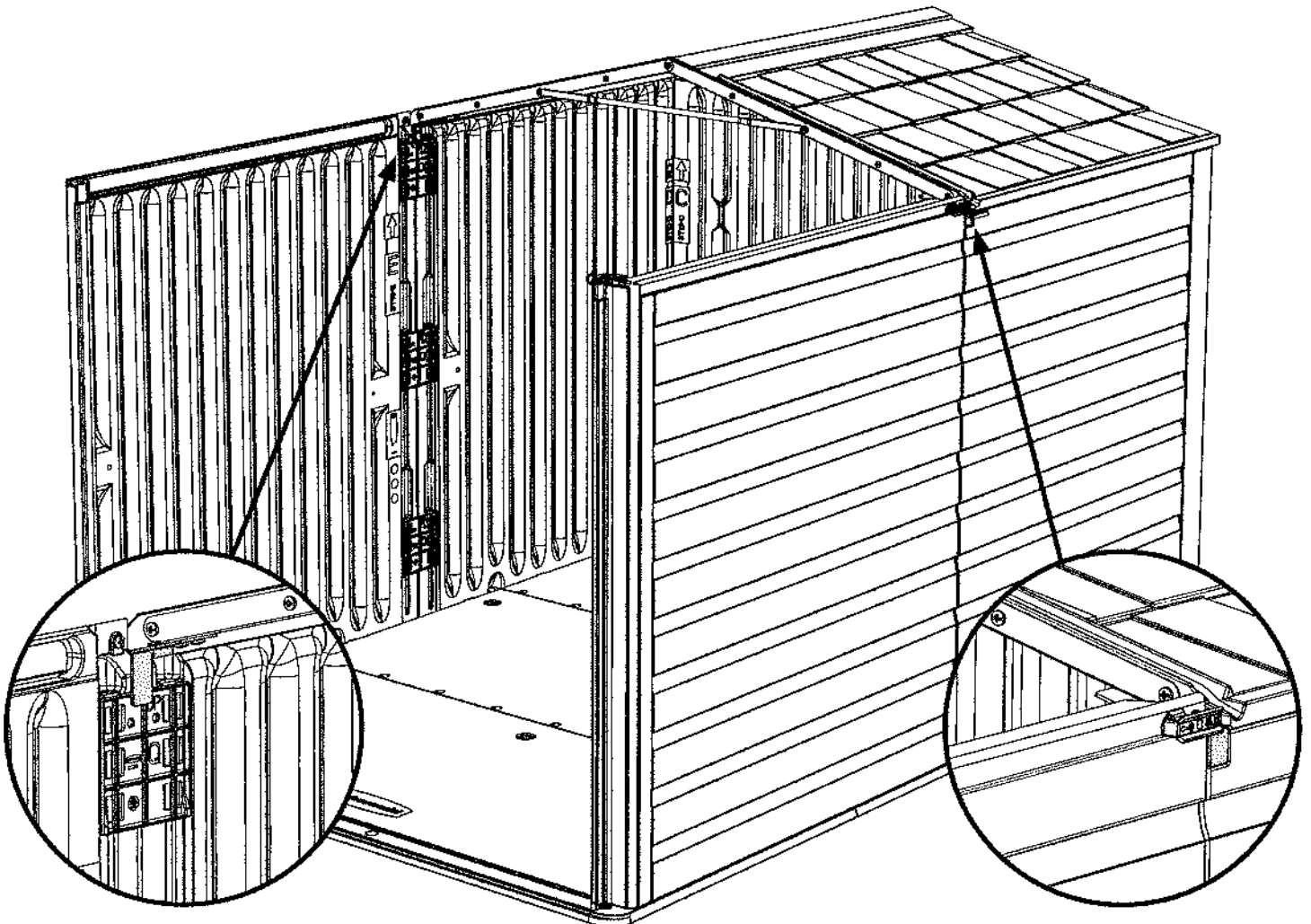
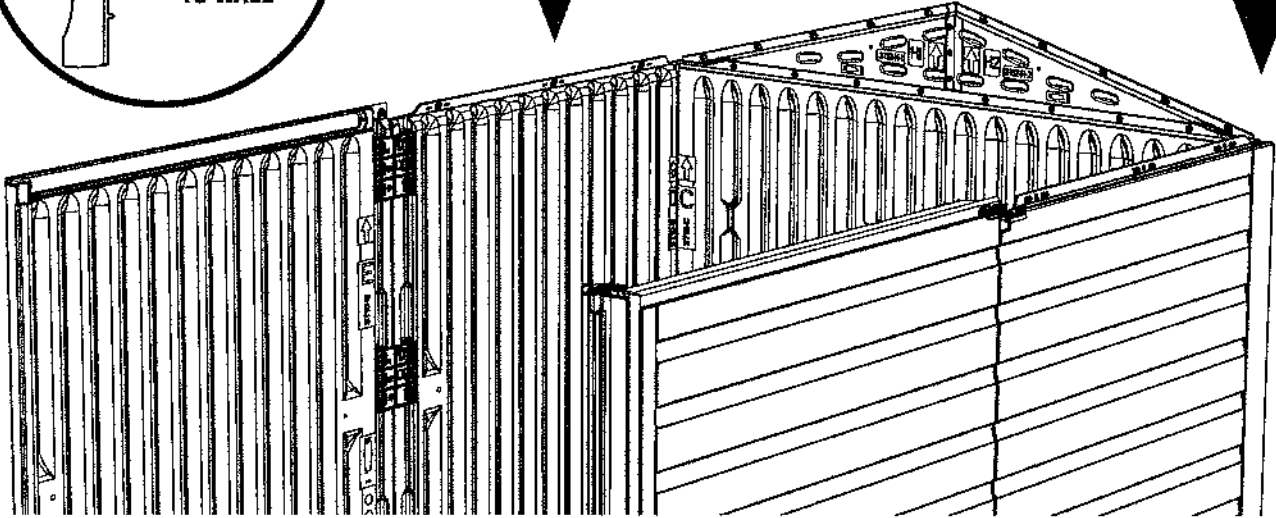
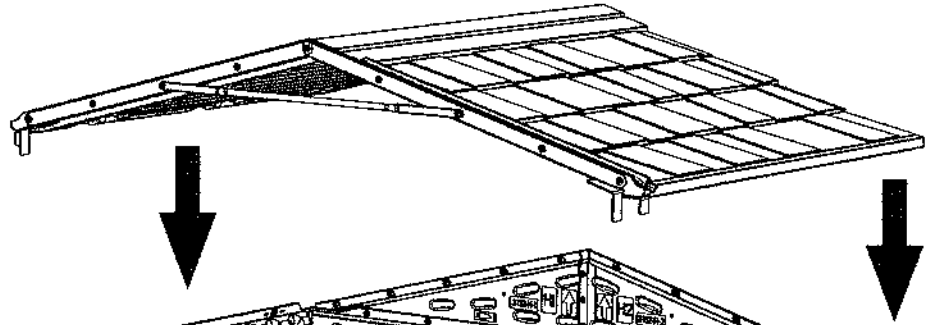
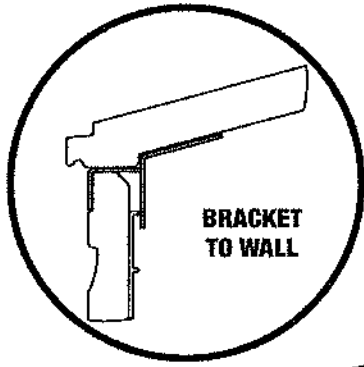
- d. Install Back Collar Tie (CC) onto the Back Roof Assembly using Screw (AA) in two places. Install Screw (AA) in one place in Back Left Roof Support Bracket (DD) and in one place in Back Right Roof Support Bracket (EE). Install Screw (AA) in four places in Back Roof Supports (BB).



**CAUTION:** When installing screws, do not over-tighten.



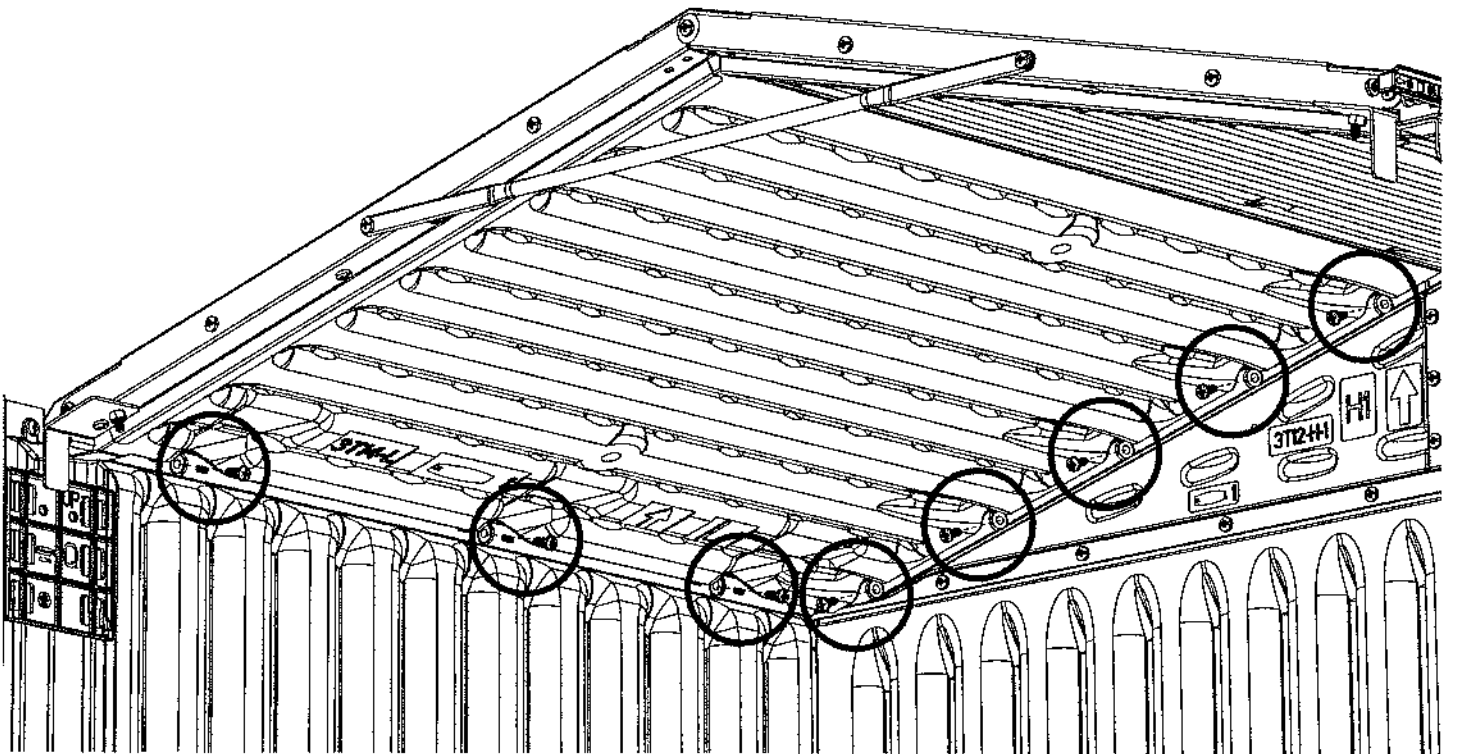
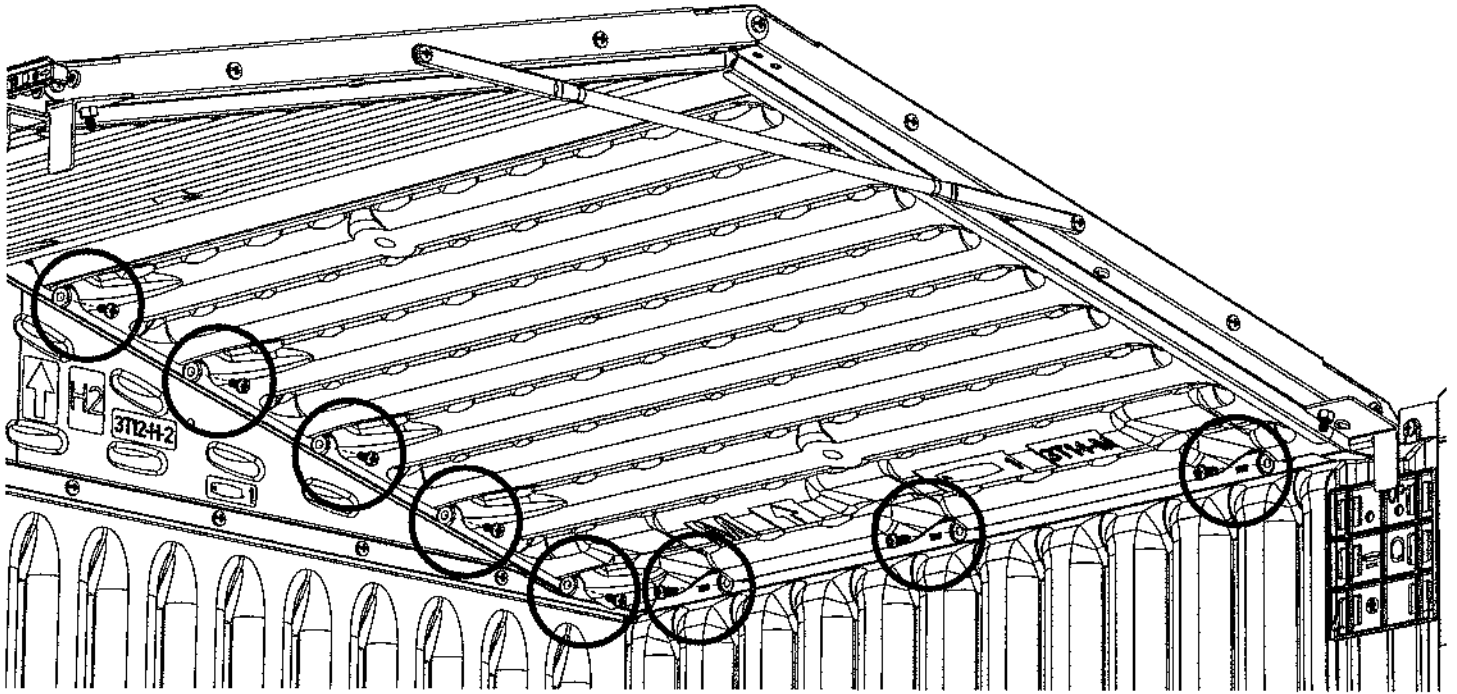
**e.** Set Back Roof Assembly onto the Shed Assembly.



**f.** Fasten Roof to Walls using Screw (AA) in 16 places. One person needs to hold the roof down firmly while the Screws (AA) are being installed.

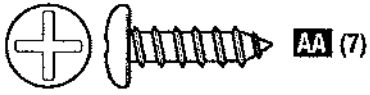


**CAUTION:** When installing screws, do not over-tighten.

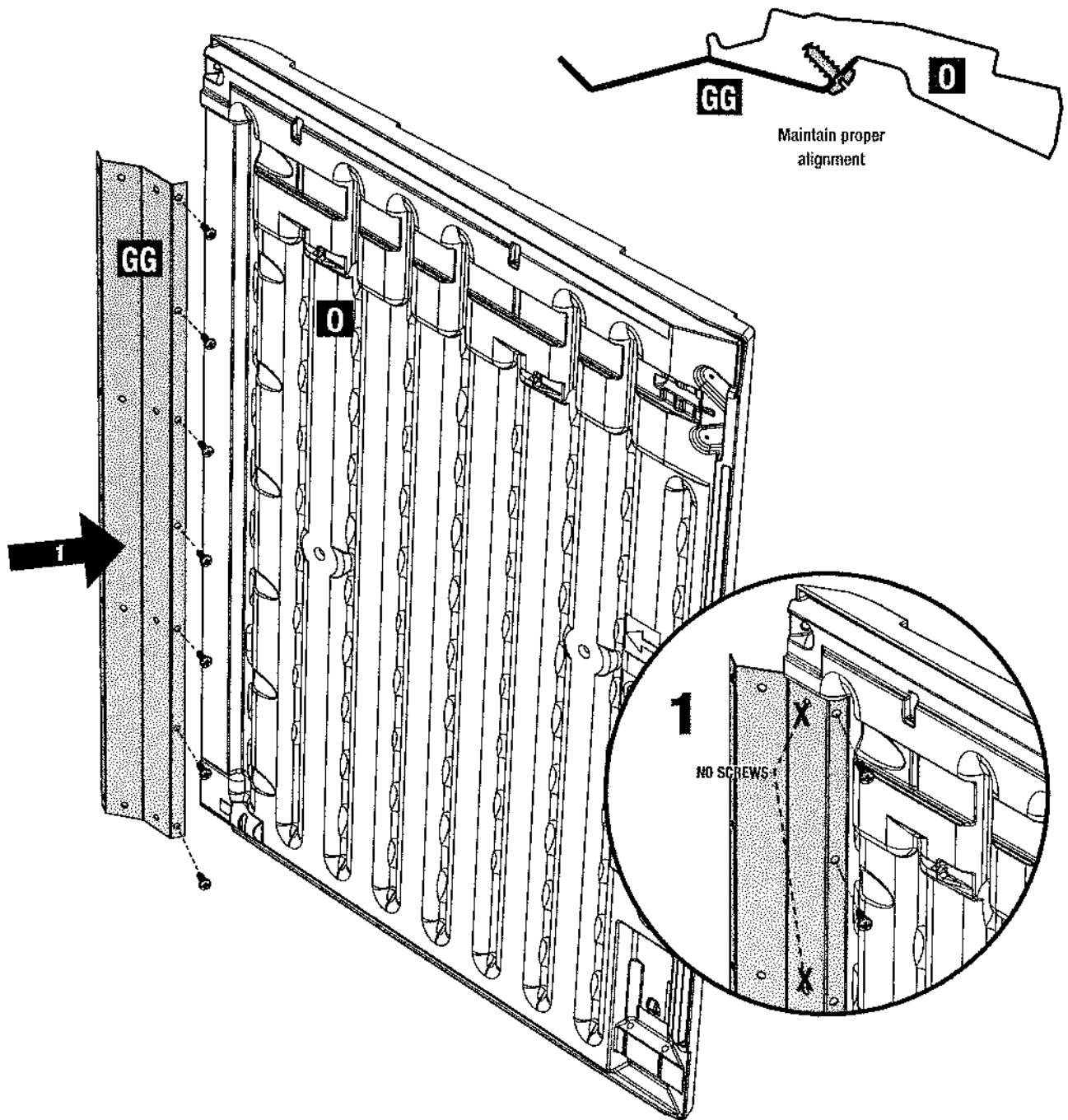


# 4.1 Front Roof Assembly

a. Install Front Roof Connector (GG) onto Front Right Roof (O) using Screw (AA) in seven places.



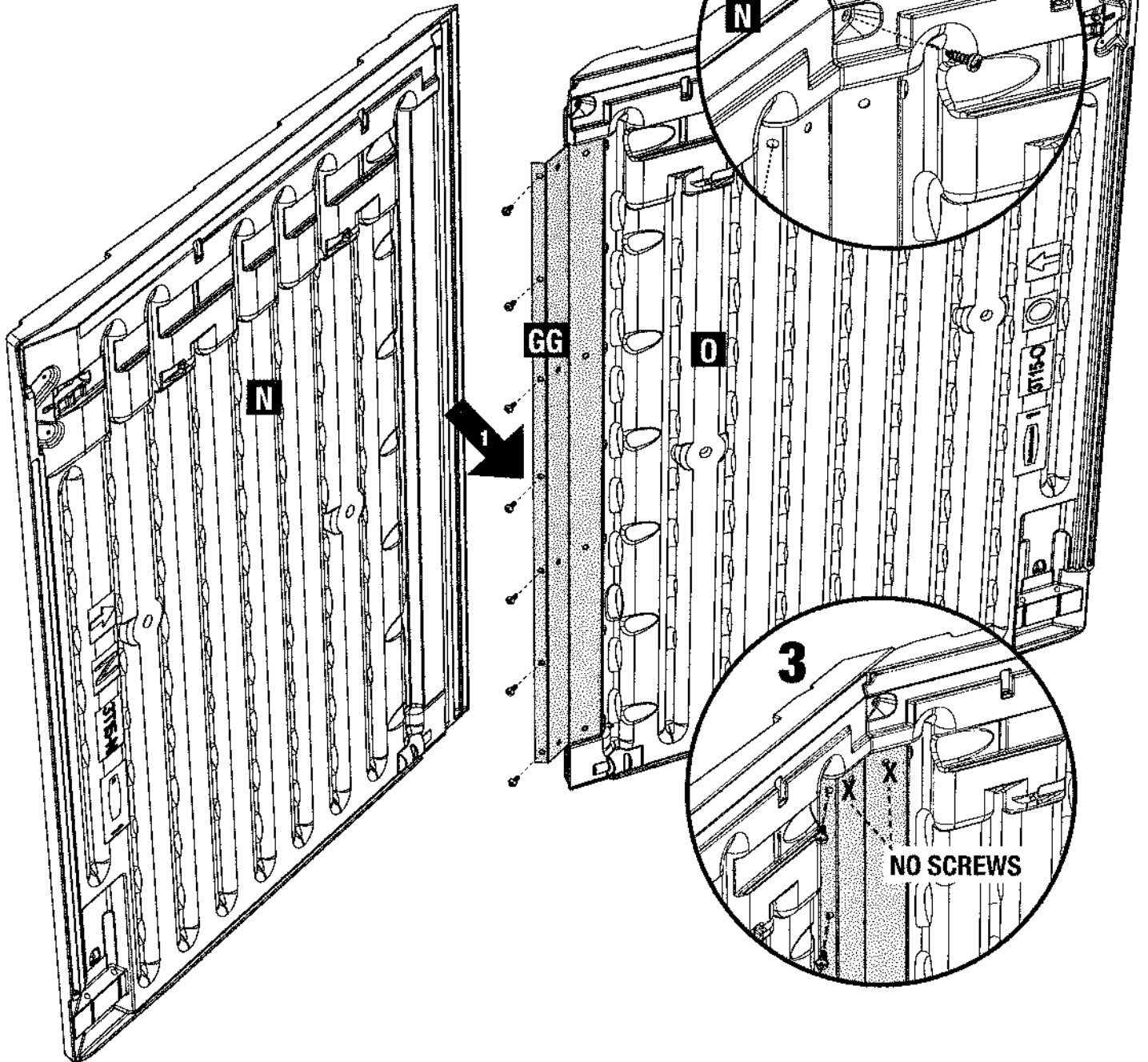
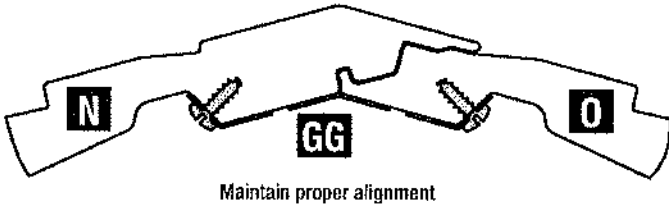
**CAUTION:** When installing screws, do not over-tighten.



**b.** Install Screw (AA) one place connecting Front Right Roof (O) and Front Left Roof (N). Fasten Front Left Roof (N) to Front Roof Connector (GG) using Screw (AA) in seven places.

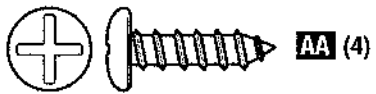


**CAUTION:** When installing screws, do not over-tighten.

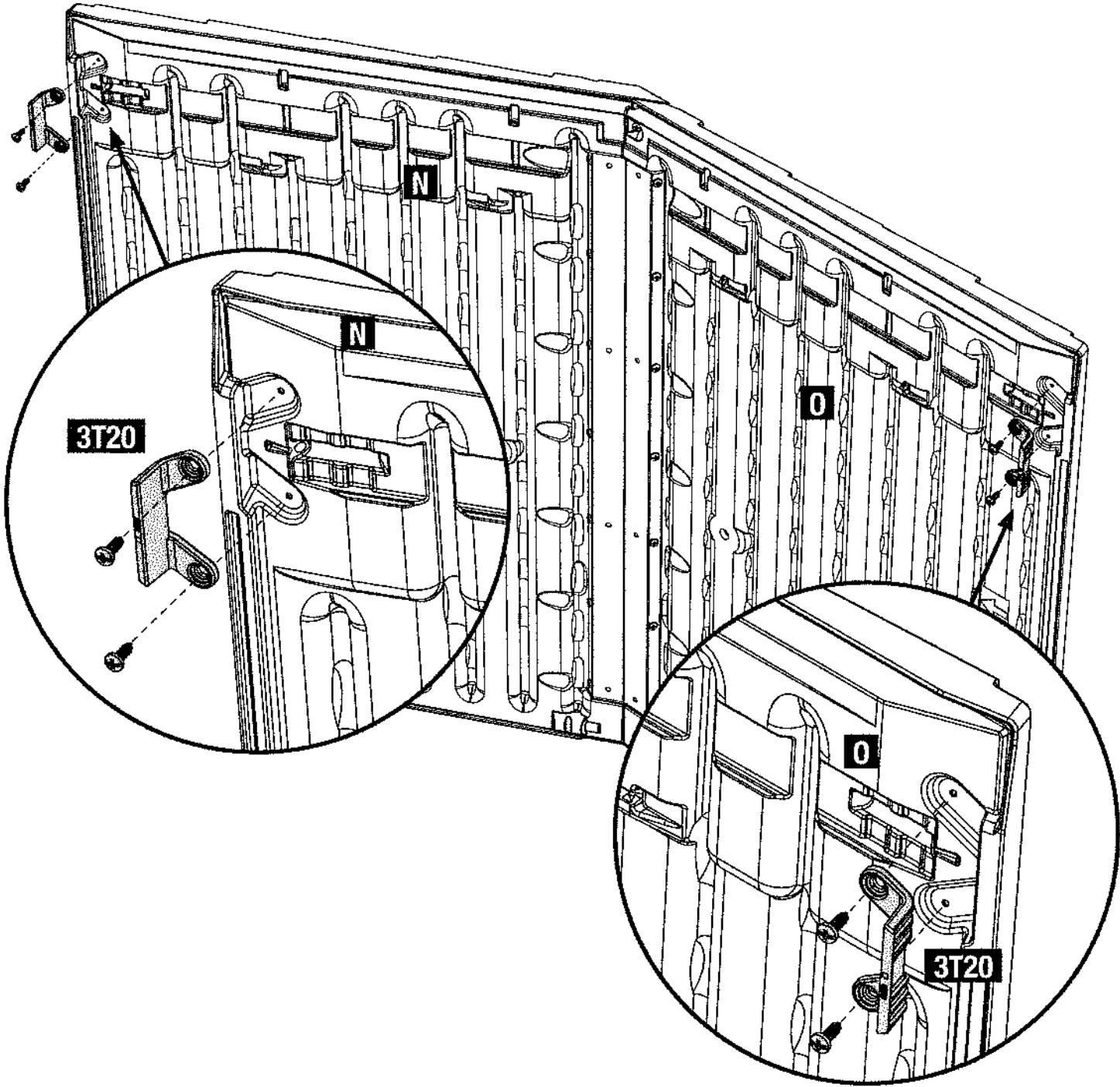




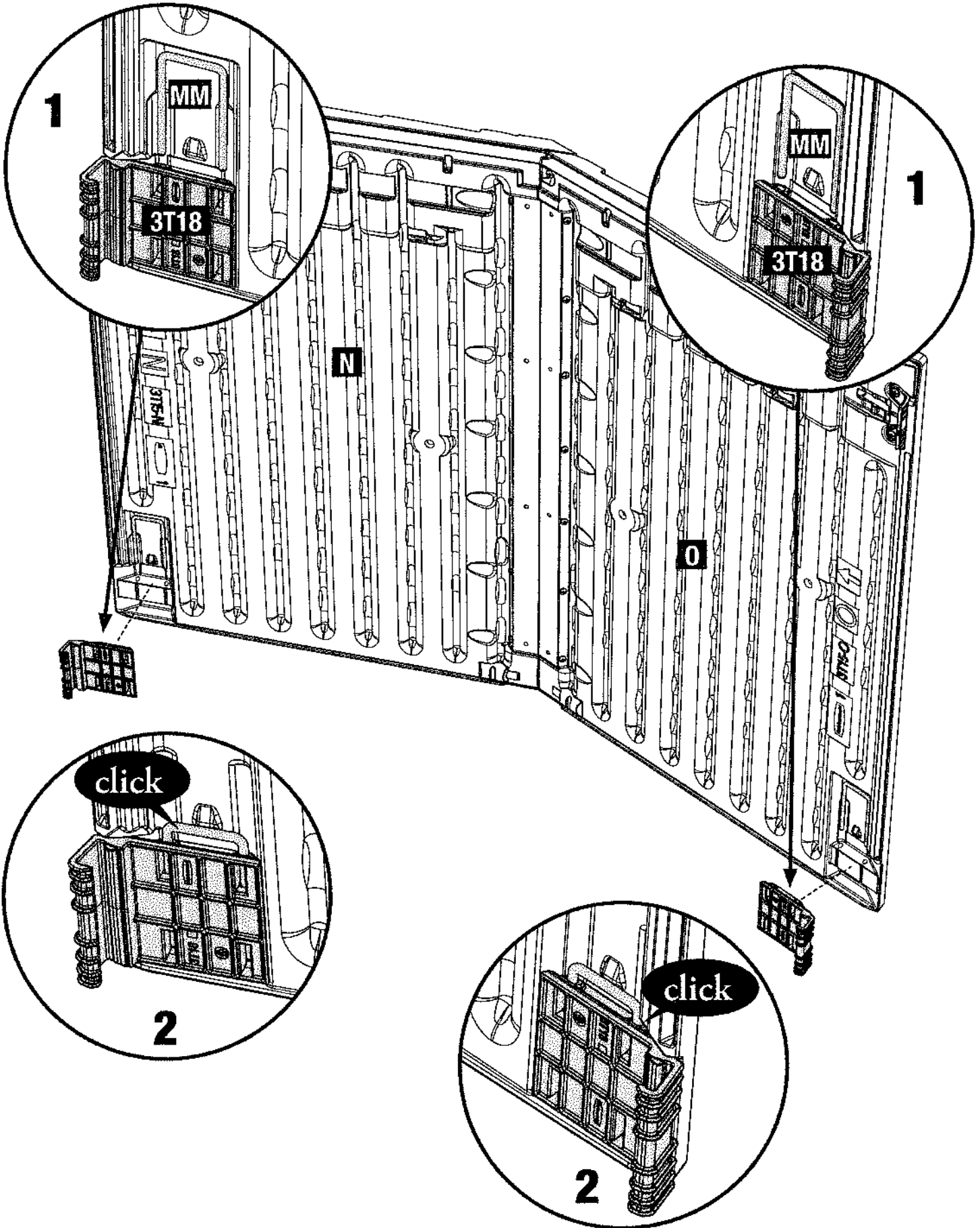
**C.** Install Roof Guides (3T20) onto Front Left Roof (N) and Front Right Roof (O) using Screw (AA) in four places.



**CAUTION:** When installing screws, do not over-tighten.

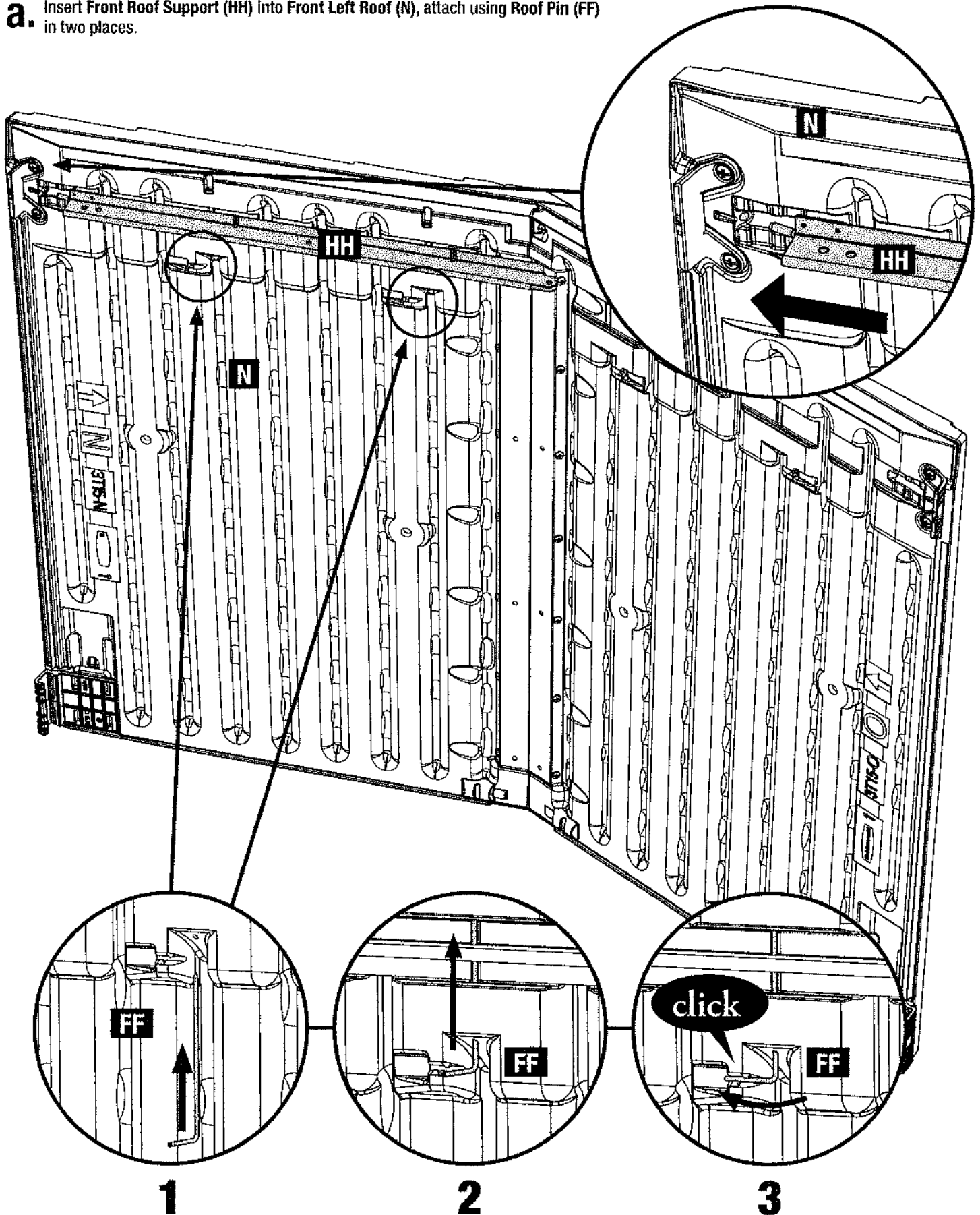


**d.** Install Roof Guide Brackets (3T18) onto Front Left Roof (N) and Front Right Roof (O) using Roof Pin SL-250 (MM) in two places.

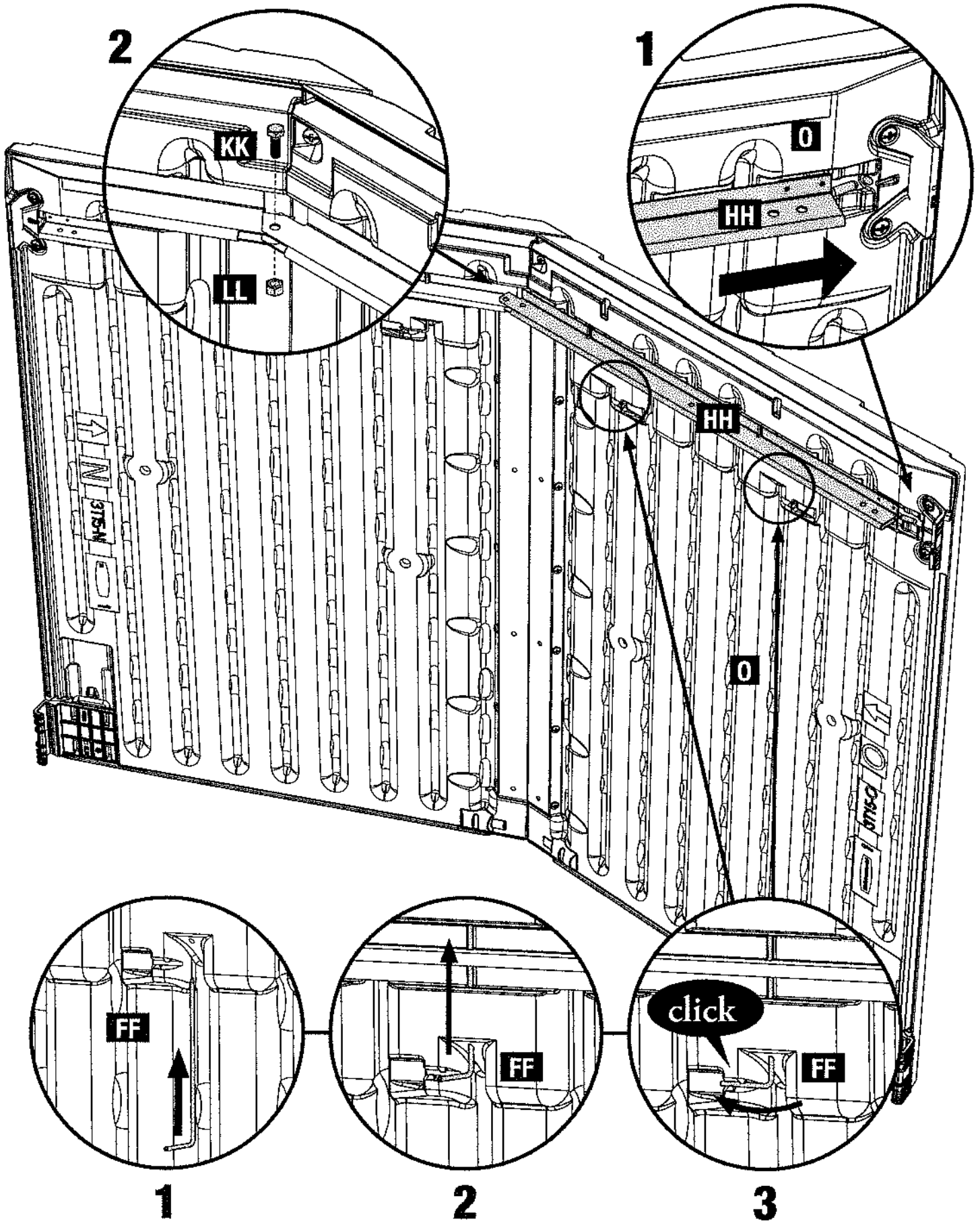


## 4.2 Front Truss Installation

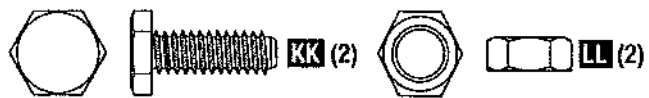
- a. Insert Front Roof Support (HH) into Front Left Roof (N), attach using Roof Pin (FF) in two places.



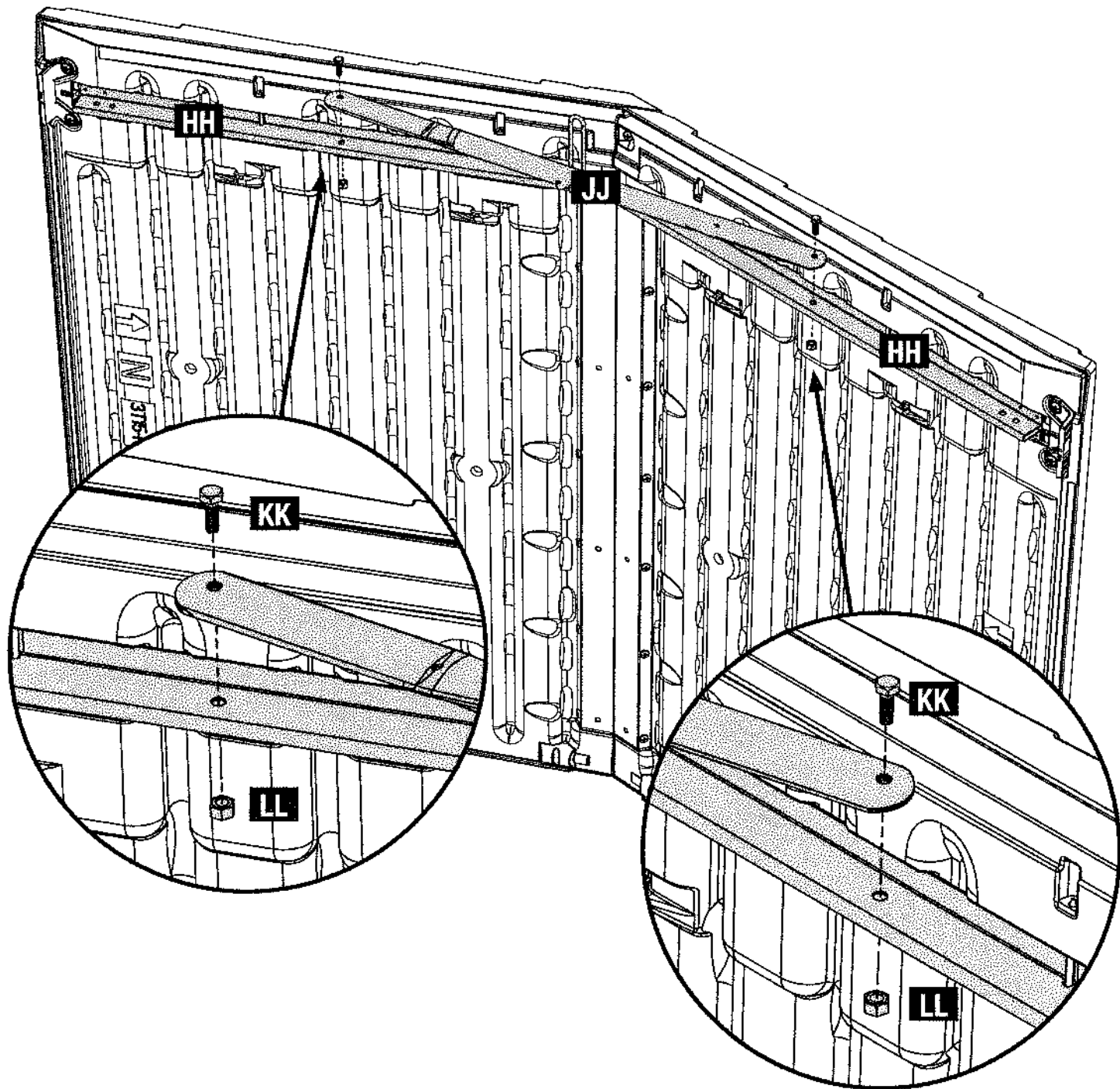
- b.** Install Front Roof Support (HH) onto Front Right Roof (O) using Roof Pin (FF) in two places. Fasten Front Roof Supports (HH) together using Hex Bolt (KK) and Hex Lock Nut (LL) in one place. Do not tighten yet.



**C.** Install Front Collar Tie (JJ) onto Front Roof Supports (HH) using Hex Bolt (KK) and Hex Lock Nut (LL) in two places. Now tighten the bolt in the middle.

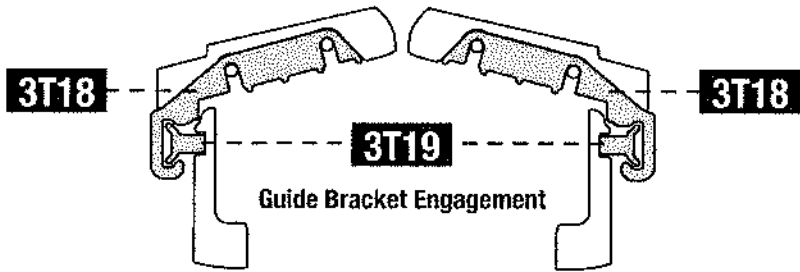
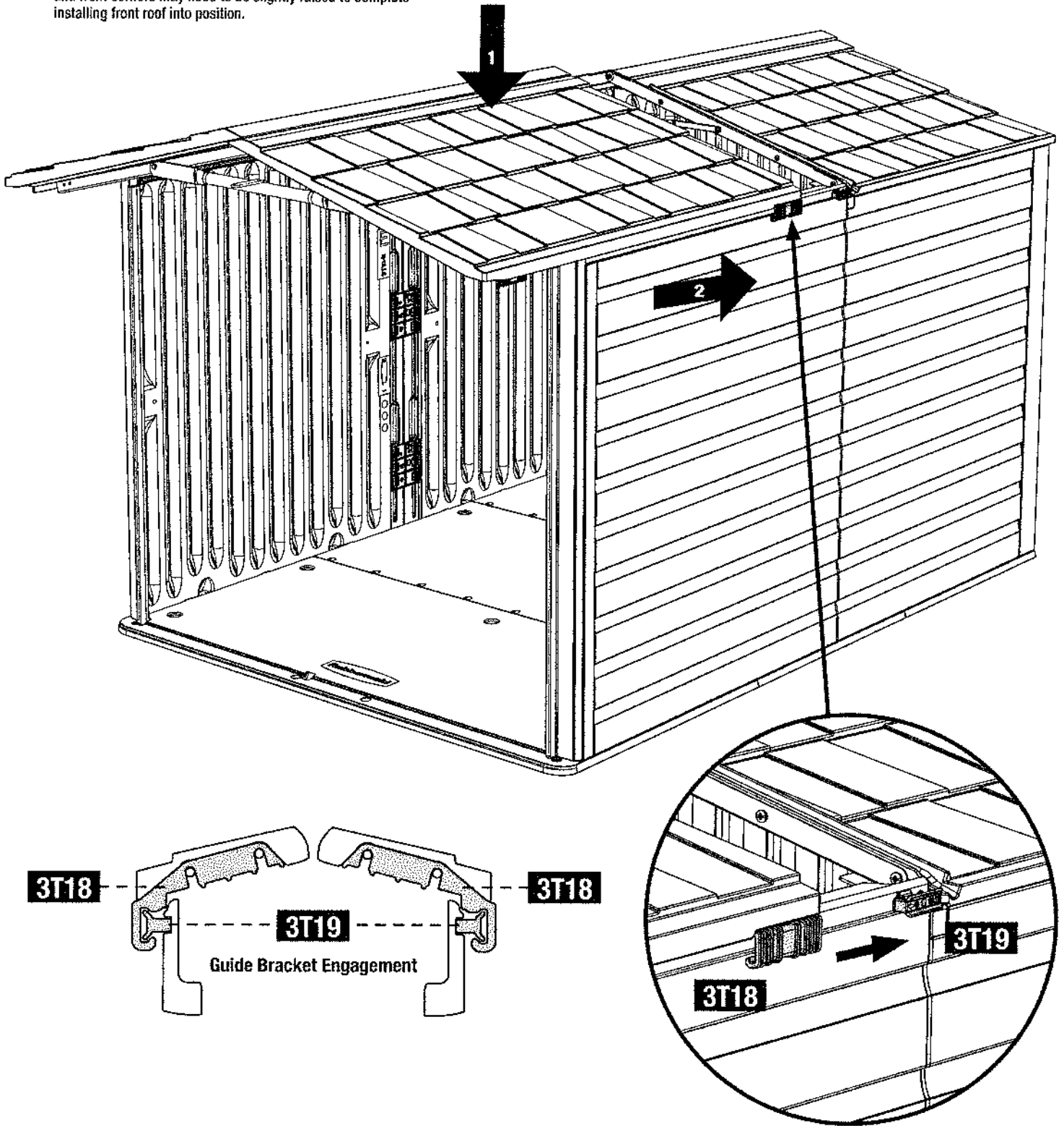


**CAUTION:** When installing nuts and bolts, tighten securely but **DO NOT DEFORM** the metal parts.



**d.** Slide the Front Roof Assembly onto the Shed Assembly by engaging Roof Guide Brackets (3T18) with Roof Guide Blocks (3T19) and the Back Roof Panels.

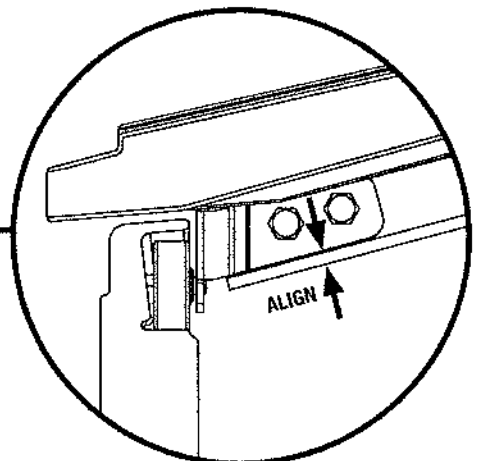
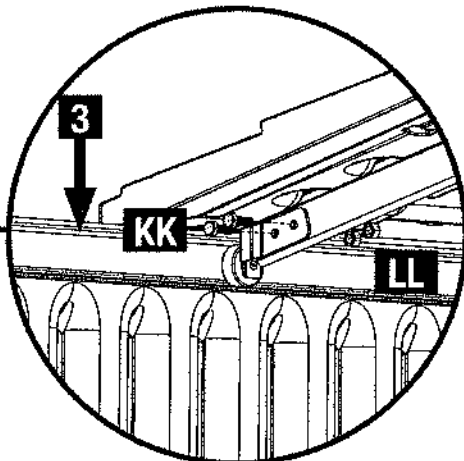
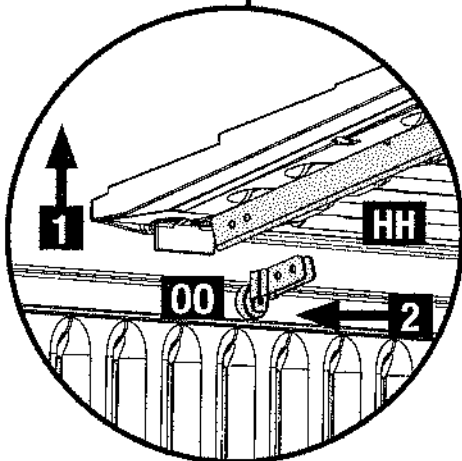
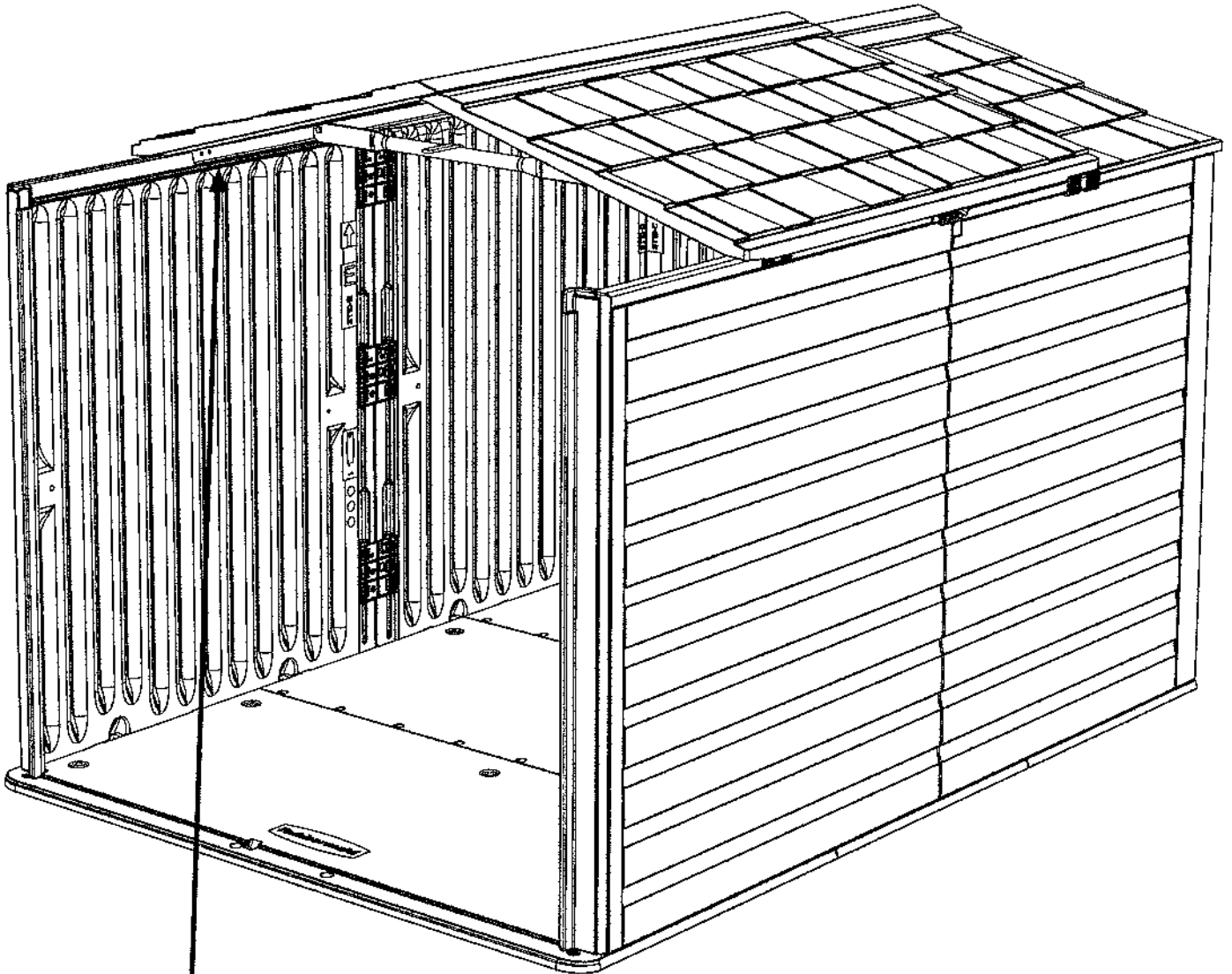
**NOTE:** After 3T18 and 3T19 are engaged, center of front roof and front corners may need to be slightly raised to complete installing front roof into position.



- e.** Install Roof Rollers (00) onto each Front Roof Support (HH) using Hex Bolt (KK) and Hex Lock Nut (LL) in four places. Lift front roof corner, insert Roof Roller (00) in wall groove, lower roof, bolt in place. Roller bracket must align with front roof support. Repeat for other side.



**CAUTION:** When installing nuts and bolts, tighten securely but **DO NOT DEFORM** the metal parts.

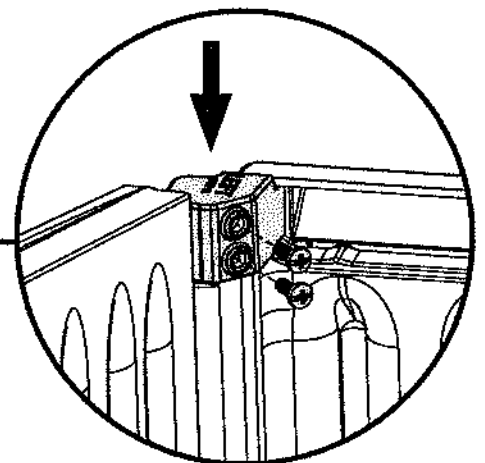
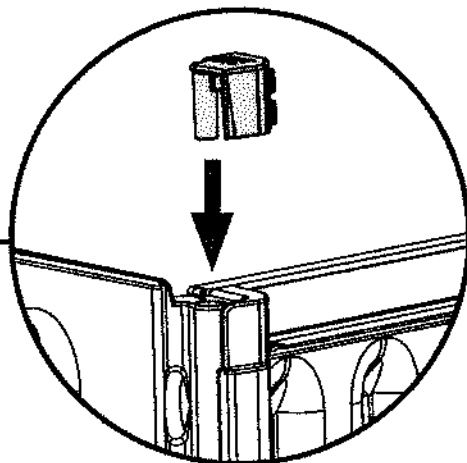
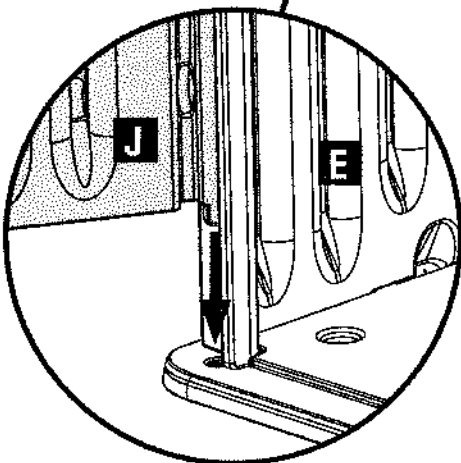
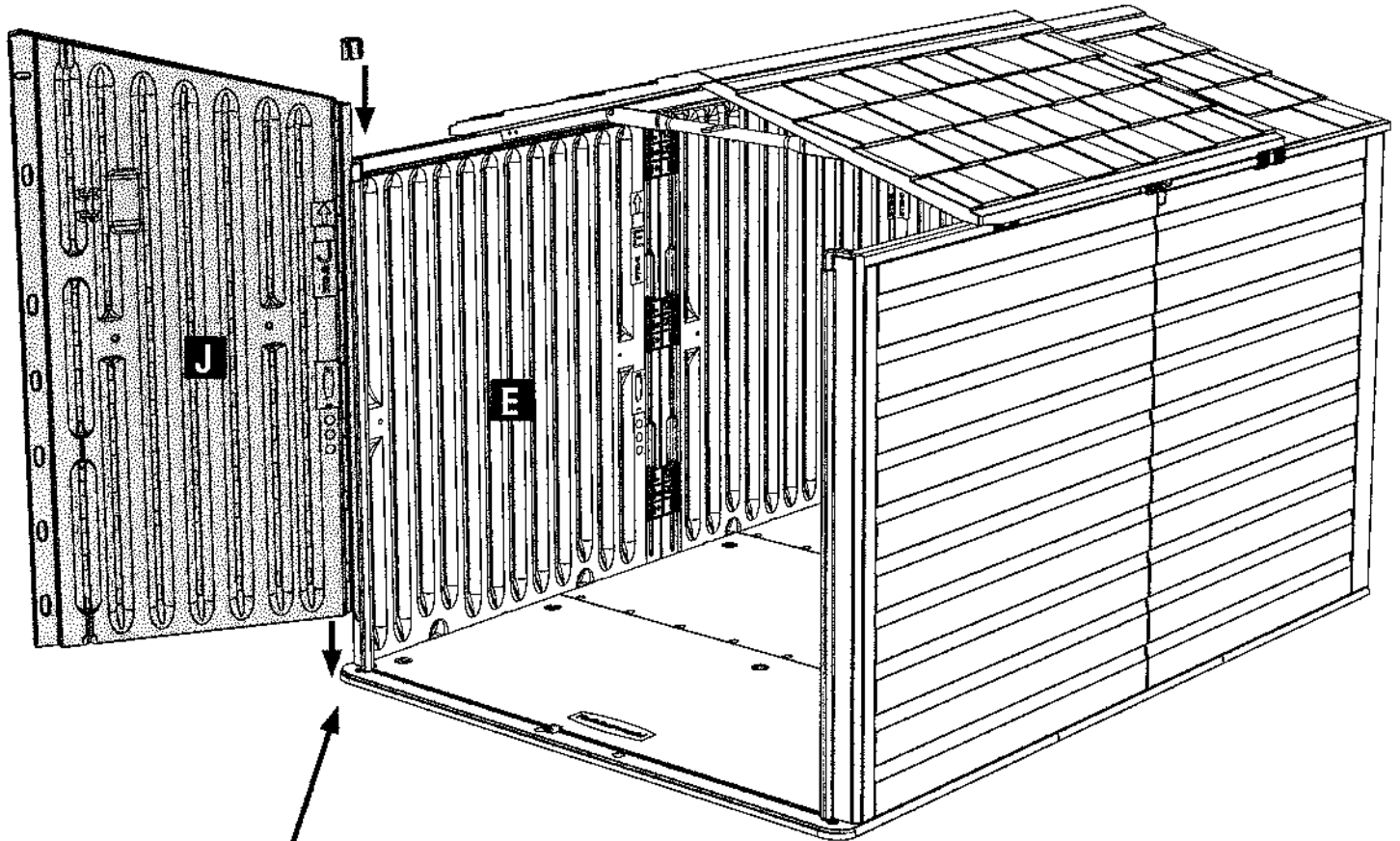


## 4.3 Left Door and Right Door Installation

- a.** Insert bottom hinge pin on Left Door (J) into floor. Insert Left Door Hinge Bracket (LEFT) into hole in Left Door (J) and onto the Front Left Wall (E). Close the door and secure Hinge Bracket with Screw (AA) in two places.



**CAUTION:** When installing screws, do not over-tighten.



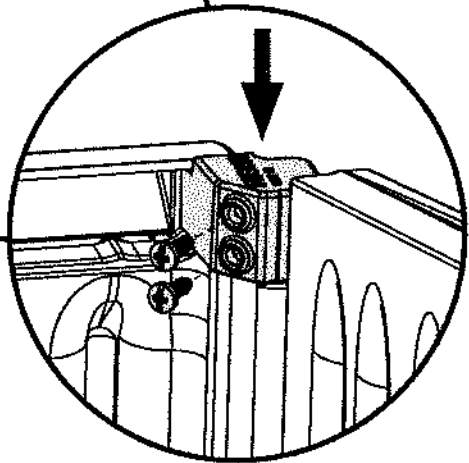
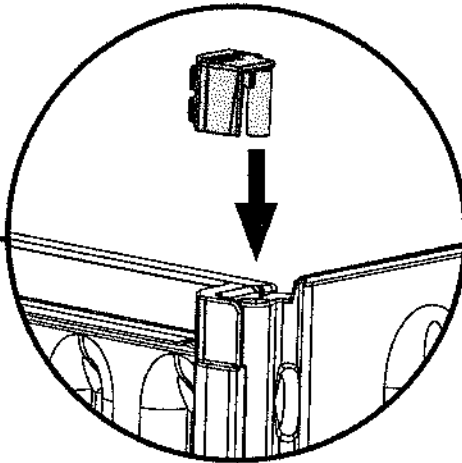
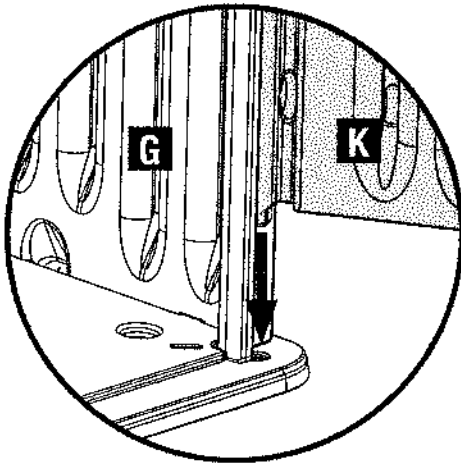
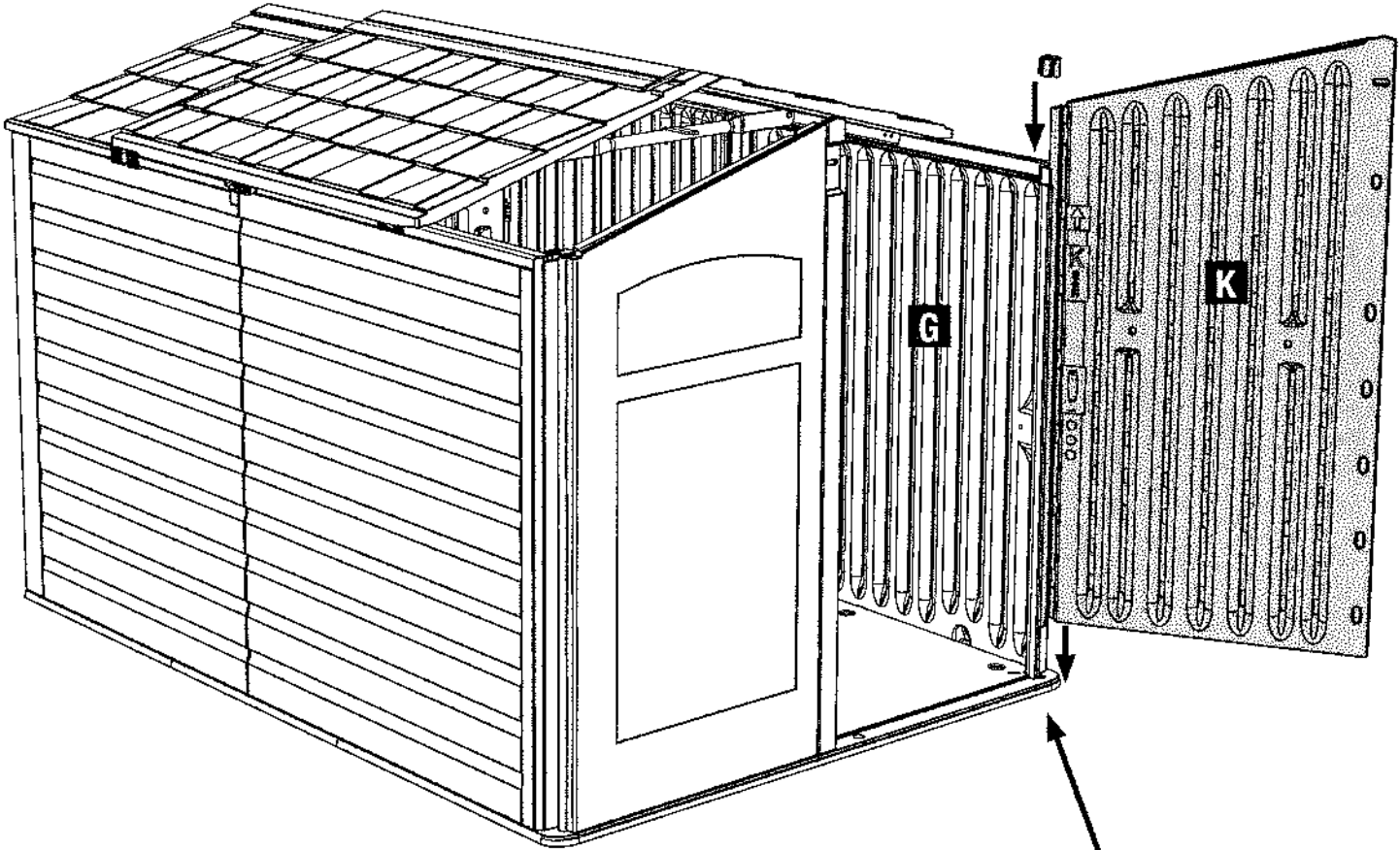
**ROTATE INTO PLACE**



- b.** Insert bottom hinge pin on Right Door (K) into floor. Insert Right Door Hinge Bracket (RIGHT) into hole in Right Door (K) and onto the Front Right Wall (G). Close the door and Secure Hinge Bracket with Screw (AA) in two places.



**CAUTION:** When installing screws, do not over-tighten.

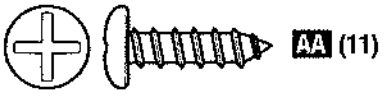


**ROTATE INTO PLACE**

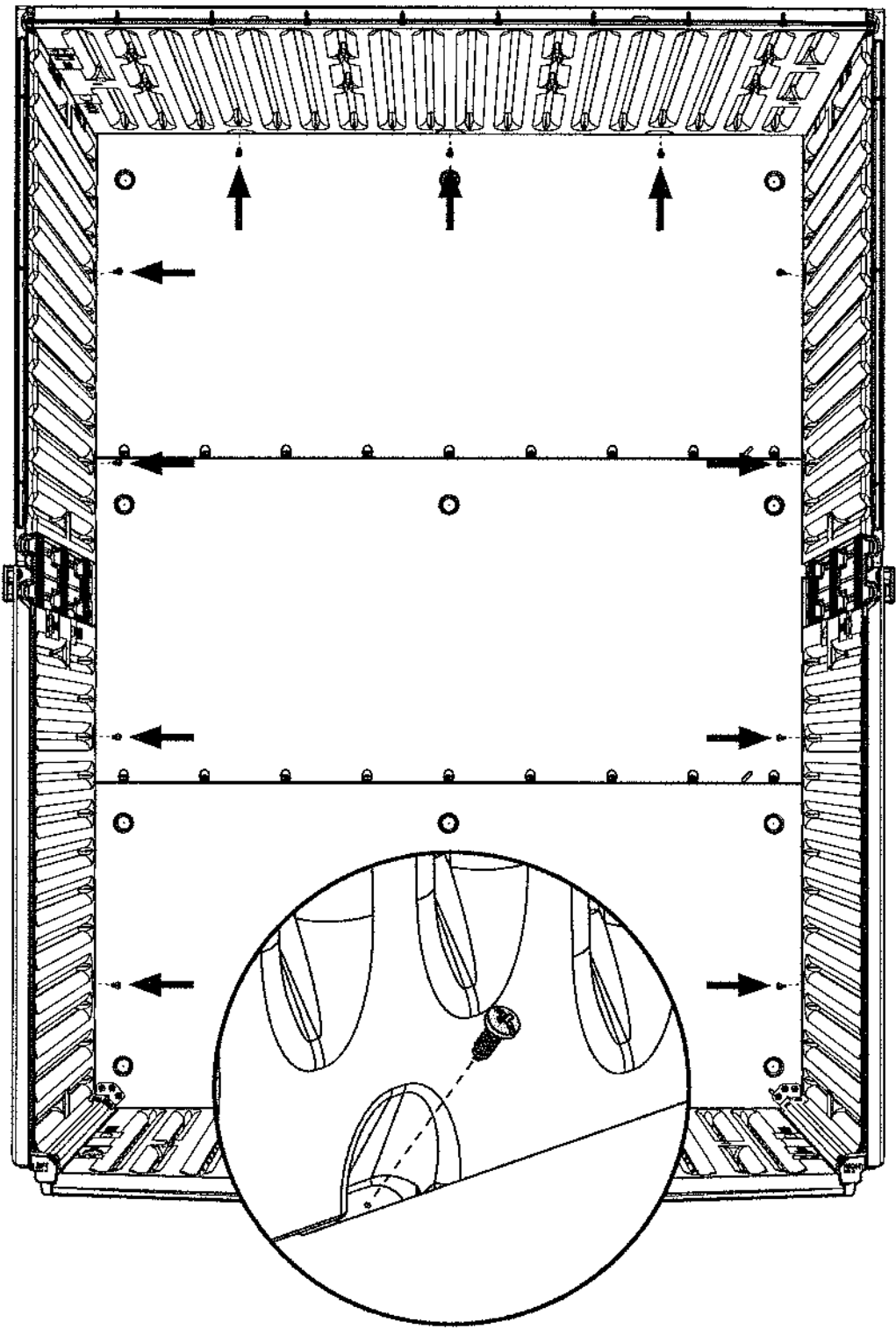
# 5.0 Finishing

a. Fasten Walls to Floor using Screw (AA) in 11 places.

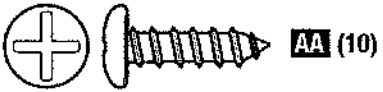
**CAUTION:** When installing screws, do not over-tighten.



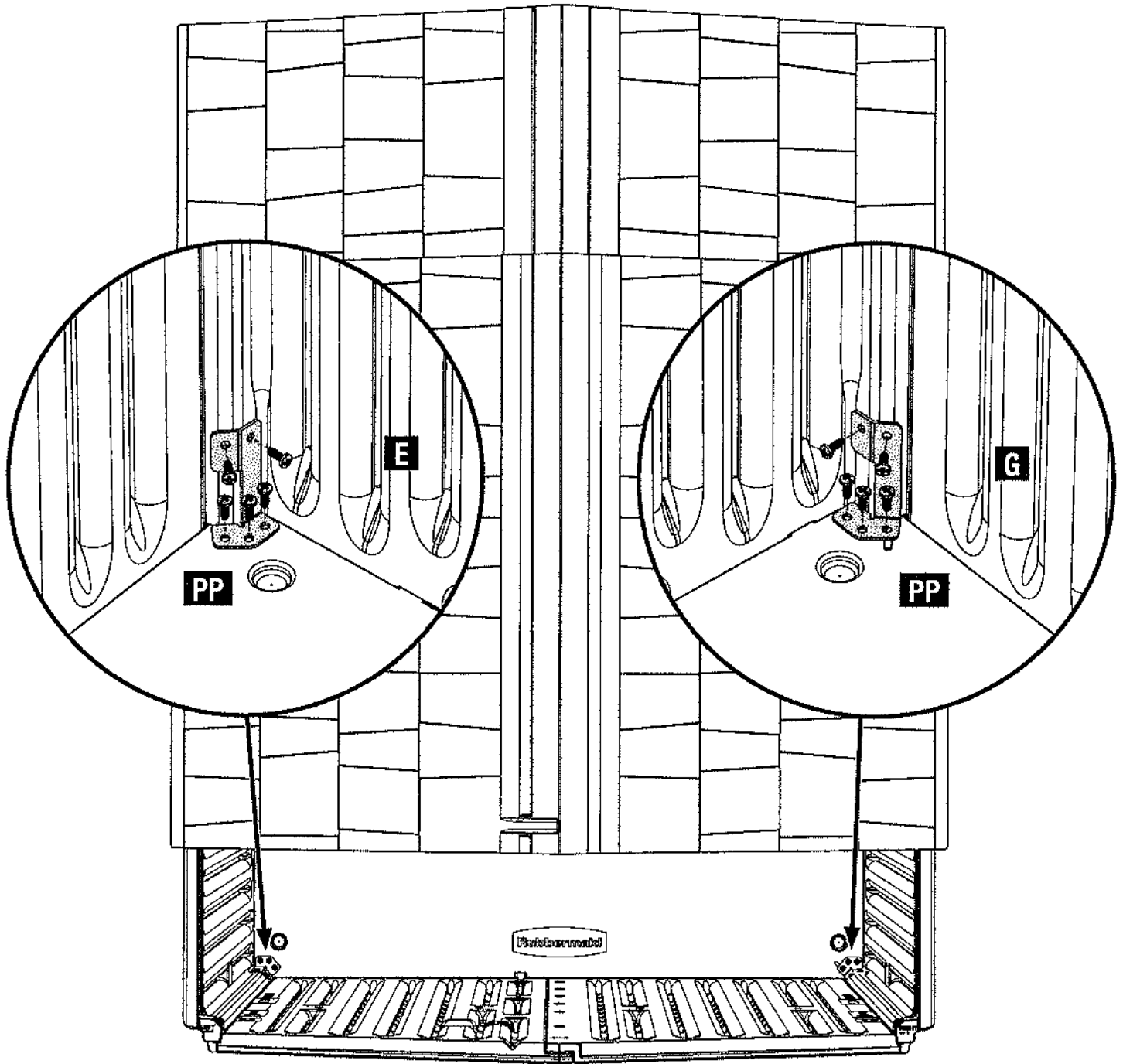
**HELPFUL HINT:** Pilot holes may be drilled for the screws.



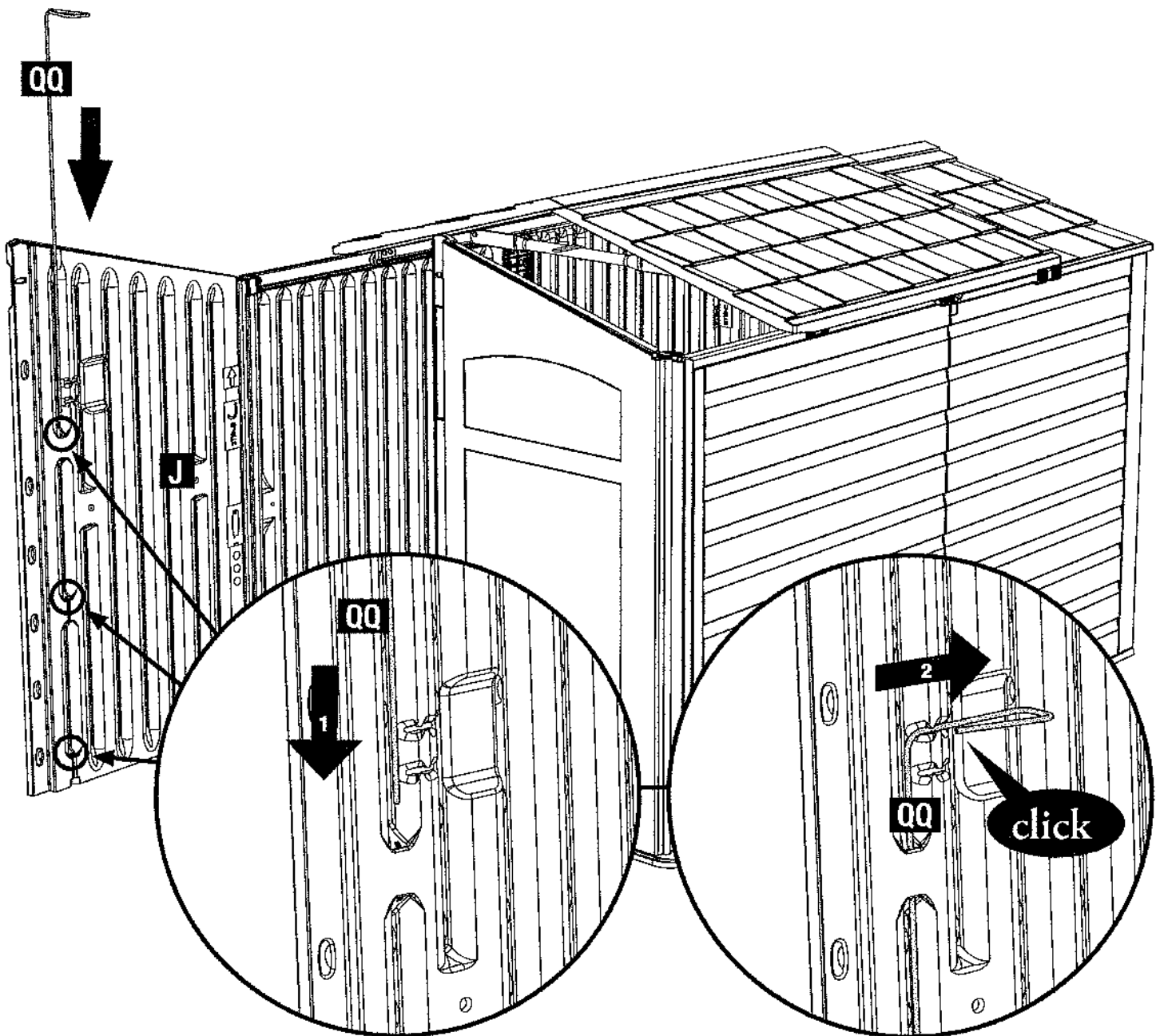
- b.** With both doors closed, install Corner Brackets (PP) connecting the Front Floor and Front Left Wall (E) using Screw (AA) in five places. Install Corner Brackets (PP) connecting the Front Floor and Front Right Wall (G) using Screw (AA) in five places.



**CAUTION:** When installing screws, do not over-tighten.



**C.** Install Cane Bolt (QQ) into Left Door (J) and snap into place.



**MAINTENANCE & SAFETY**

- Periodically check shed to assure it remains stable and the site remains level.
- In areas of high winds it is recommended to anchor shed to platform or ground by holes in floor at designated location and secure with the proper fasteners (not included).
- Wash shed with garden hose or a mild detergent solution. Using an abrasive cleaner could damage your shed.
- Hot items such as recently used grills or fire pits should not be stored in the building.
- Heavy items should not be leaned against the walls, as this may cause distortion.
- Keep doors closed when not in use to prevent wind damage.
- Do not climb onto roof.
- Shed is not designed for habitation.



Printed in U.S.A.  
 2011 Rubbermaid Incorporated,  
 Huntersville, NC U.S.A. 28078-1801

Customer Service  
 Toll Free: 1-888-895-2110  
 M-F 8:30AM to 5PM EST

A **Newell Rubbermaid** Brand

or visit us at [www.rubbermaid.com](http://www.rubbermaid.com)