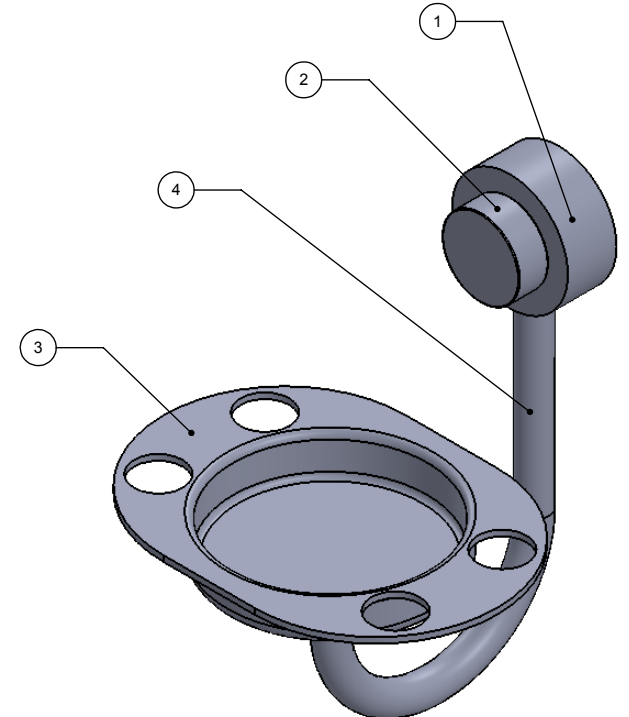
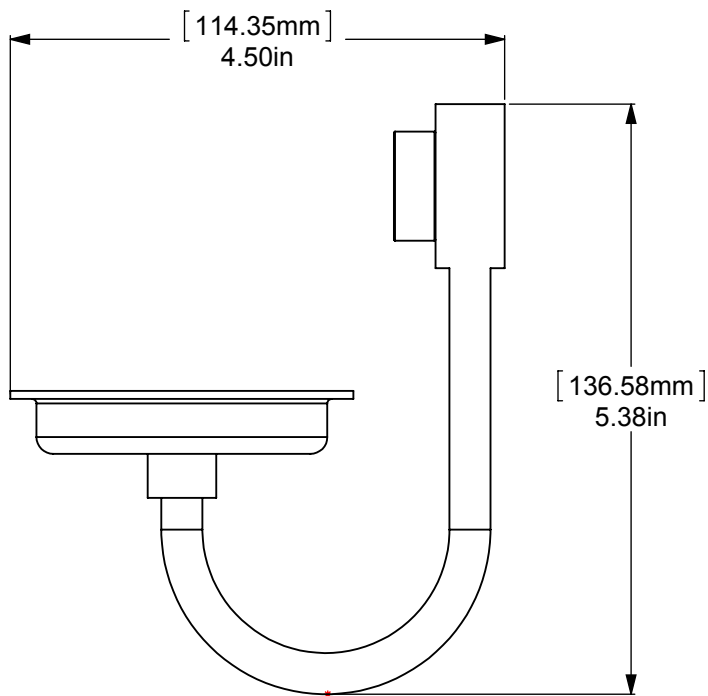
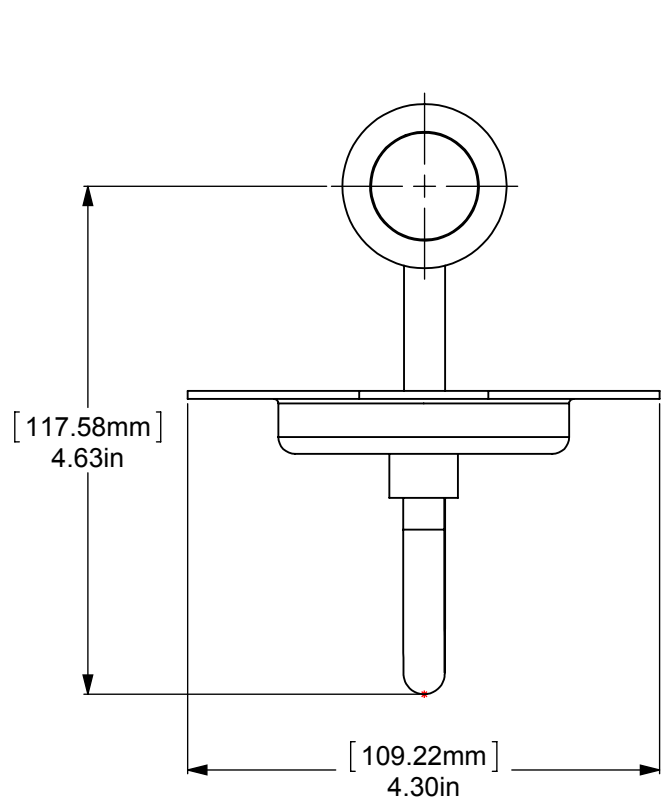


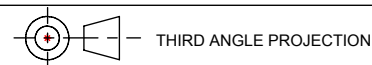
ITEM NO.	P/N	DESCRIPTION	QTY.
1	RGSM	CONNECTOR	1
2	CARD-1	END LOCK	1
3	HROVT	TUB	1
4	HKVT	PIPE TUBE	1



UNLESS OTHERWISE STATED

.X	±.3mm
.XX	±.15mm
.XXX	±.008mm

COPYRIGHT © Allied Brass 2017



DRAWN	6/29/2017	I.M
CHECKED	6/29/2017	P.D
APPROVED	6/29/2017	R.A

MATERIAL: BRASS
 DESCRIPTION: Venus Collection Tumbler and Toothbrush Holder



FINISH	TBD
QUANTITY	TBD
DRAWING No.	REV
426	0
SCALE	1:1.75
SHEET: 01	A4