

### General Information

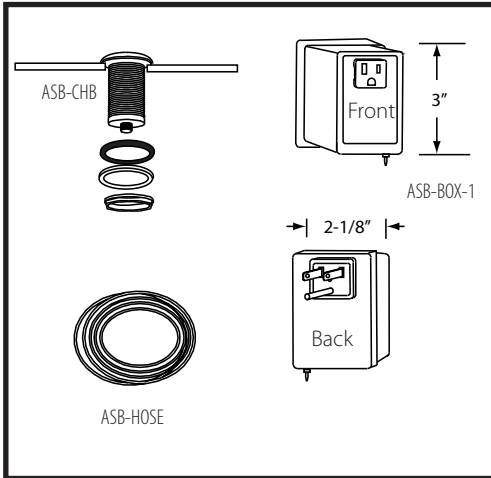
This control system provides safe and convenient remote on/off switching of one 120V load. The system consists of the following:

- Controller ASB-BOX-1
- Air Button ASB-CHB
- Air Hose ASB-hose

### Westbrass

2429 E. Olympic Blvd., Los Angeles, CA 90021  
 (800) 39-BRASS • (213) 627-8441  
 www.westbrass.com • info@westbrass.com

### Included in Package



### Operation

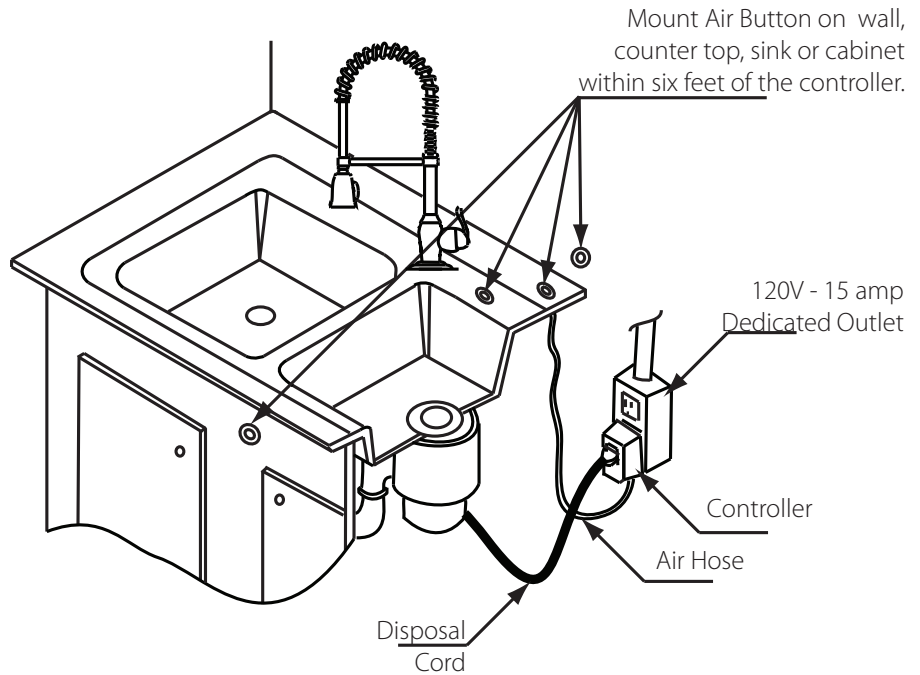
The system works by displacing sealed air. Pressing the Air Button displaces sealed air through the connecting Air Hose which activates the pressure sensitive electrical switch in the controller. This completes the electrical circuit, turning on the disposal. The circuit remains on until the button is pressed and released again.

### Caution

To avoid damage to the appliance and controller, do not cycle rapidly. Do not connect other equipment to the outlet with disposer.

### Electrical Rating

15 Amps (non-inductive) @ 120 VAC



### Installation Instructions

1. The Air Button must be mounted within 6 feet of the Controller. Select a location, convenient for the user. See suggested Locations below.
2. Drill a 1-3/8" diameter hole at the desired location. The Air Button can be mounted through surfaces from 1/16" to 2" thick.
3. Remove the nut and washers from the Air Button body. Apply a very thin bead of silicone caulking under the button flange to

provide a tight seal. Insert the body through the hole, slide on the washers and secure the nut. Do not over tighten.

4. Connect one end of the Air Hose to the air button, routing the hose to the Controller location. Use care to ensure the hose will not be kinked or damaged.
5. Attach the other end of the hose to the Controller and plug the controller in to a 120 V, continuously charged outlet.

6. Make sure nothing is fouling the disposal. Plug in the disposal to the Controller outlet.

### Caution

The disposal may begin to operate. If it does, press the Air Button to turn it off.

7. Check the system for proper operation. Press the Air Button to turn on the disposal. Press again to turn off the disposal.

### Instrucciones de Instalación

1. El Botón Aéreo debe montado dentro de 6 pies del controlador. Seleccione una ubicación, conveniente para el usuario. Vea la Ubicación sugerida abajo.
2. Taladre un 1-3/8" hoyo de diámetro en la ubicación desada. El Botón Aéreo puede ser montado por superficies de 1/16" a 2" grueso.
3. Quite la tuerca y las arandelas del cuerpo Aéreo de Botón. Aplique una cuenta muy delgada de para proporcionar un sello apretado.

Inserte el cuerpo por el hoyo, el resbaladero en las arandelas y asegure la tuerca. Haga no sobre aprieta.

4. Conecte un fin de la manga al controlador y conecte el controlador a un 120V continuamente salida de carga.
5. Conecte el otro fin de la manga al controlador y conecte el controlador a un 120V salida cargada continua.
6. Asígurese nada contamina la disposición.

Conecte la disposición a la salida del controlador.

### Cuidado

El depositor puede empear a operar. Sí esto sucede preción el Aéreo de Botón para apagar.

7. Revisar el sistema para funciona correctamente. Presionar el Aéreo de Botón para iniciar la recogida de basuras. Pulse otra vez para apagarlo.

# WARRANTY

Allied Innovations, LLC warrants its products to be free from defects in workmanship and material under normal use and conditions for a period of one year from the date of original manufacture. Should repair be required by reason of any defect or malfunction during the warranty period, allied Innovations, LLC will repair, or at their discretion, replace this product without charge, subject to verification of the defect or malfunction, upon delivery of the product to the attention of:

The Westbrass Company  
2429 E. Olympic Blvd.  
Los Angeles, CA 90021

If repair is required after the expiration date of the warranty period, Allied Innovations, LLC will repair this product and bill for any necessary replacement part, shipping and handling.

This warranty is void if:

- 1) the unit is not installed per instructions;
- 2) is hooked up to improper voltage;
- 3) is subjected to chemical corrosion;
- 4) is mechanically or electrically altered in any way;
- 5) is subjected to water or immersion;
- 6) contacts show evidence of short circulating, or the unit has been visibly damaged by accident or misuse or which been damaged by wind, rain, lightening, freezing or other cause; or upon which the serial number or manufacture date has been altered, effaced or removed. There is a charge for replacement parts if the defective unit is returned for any of the reasons listed above.

Allied Innovation, LLC shall not be liable for any inconvenience, loss of time, or incidental expenses incurred. Allied Innovations, LLC shall not be liable for any labor charges associated with the removal or re-installation of any so-claimed defective products.

This is the only warranty expressed or implied by Allied Innovations, LLC. Warranties implied under state law, including any implied warranty or merchantability or fitness for a particular purpose, shall be limited to one year from the dated of manufacture.

Allied Innovations, LLC disclaims and liability for any incidental or consequential damages.

Ship as follows:

1. Pack the unit in a well padded, heavy corrugated box.
2. Include name, return address, and daytime phone number along with a short description of problem with control.
3. Mail the unit, prepaid, to the above address.

Some states do not allow the exclusion or limitation of incidental or consequential damages, therefore the above limitation may not apply to you.