



Electric Grass Trimmer/Edger

Model No. TRJ601E

Form No. SJ-TRJ601E-880E

A Division of Snow Joe, LLC

OPERATOR'S MANUAL

IMPORTANT!

Safety Instructions

All Operators Must Read These Instructions Before Use

⚠ CAUTION!

Before using this electric tool, carefully read and observe the safety rules and instructions listed below. Before starting work, make sure that you know how to stop the machine in case of an emergency. The incorrect use of this machine could cause serious injury. Keep these instructions in a safe place and on hand so that they can be consulted when required.

⚠ CAUTION!

The electric grass trimmer should only be used for cutting lawns and along the borders of flower beds. Other uses of the trimmer, not in these instructions, could damage the trimmer or seriously injure the operator.

GENERAL Safety Rules

⚠ WARNING: When using the electric grass trimmer, basic safety precautions should always be followed to reduce the risk of fire, electric shock, and personal injury, including the following:

a) FOR ALL DOUBLE – INSULATED APPLIANCES

- 1. Replacement parts** – When servicing, use only identical replacement parts.
- 2. Polarized appliance connections** – To reduce the risk of electric shock, this appliance has a polarized plug (one blade is wider than the other) and will require the use of a polarized extension cord. The appliance plug will fit into a polarized extension cord only one way. If the plug does not fit fully into the extension cord, reverse the plug. If the plug still does not fit, obtain a correct polarized extension cord. This plug will fit into the polarized wall outlet only one way. If the plug still does not fit fully into wall outlet, reverse the plug. If the plug still does not fit, contact a qualified electrician to install proper wall outlet. Do not change the equipment plug, extension cord receptacle, or extension cord plug in any way.

b) FOR ALL APPLIANCES

- 1. Avoid dangerous environment** – Don't use appliances in damp or wet locations. Don't use in rain.
- 2. Keep children and bystanders away** – Children and all visitors should be kept at a distance within 50 feet (15 meters) away from work area; the grass which is cut and dispersed may contain stones and debris. You and others can be blinded/injured.
- 3. Dress properly** – Always wear suitable clothing when using the trimmer to prevent head, hand, or feet injuries. Do not wear loose clothing or jewelry. They can get caught in moving parts.
- 4. Use safety glasses** – Also use safety footwear; snug fitting clothing; protective gloves; hearing and head protection.
- 5. Use the right tools** – Do not use tools for any job except that for which it is intended.
- 6. ⚠ WARNING!** To reduce the risk of electric shock, use only with an extension cord intended for outdoor use, such as an extension cord of cord type SW-A, SOW-A, STW-A, STOW-A, SJW-A, SJOW-A, SJTW-A, or SJTOW-A.
- 7. Avoid unintentional starting** – Don't carry plugged-in tool with finger, be sure switch is off when plugging in.
- 8. Don't abuse cord** – Never carry tool by cord or yank it to disconnect from receptacle. Keep cord from heat, oil, and sharp edges.
- 9. Don't force tool** – It will do the job better and with less likelihood of a risk of injury at the rate for which it was designed.
- 10. Don't overreach** – Keep proper footing and balance at all times.
- 11. Stay alert** – Watch what you are doing. Use common sense. Do not operate trimmer when you are tired.
- 12. Disconnect tool** – Turn the trimmer off and disconnect the plug when: the trimmer is not being used; it is left unattended; it is being examined because it is not working correctly; the power supply cable is damaged; the blade is being removed or changed or when the trimmer is being moved from one place to another.
- 13. Store idle tools indoors** – When not in use, tools should be stored indoors in dry, and high or locked-up place - out of reach of children.
- 14. Maintain tools with care** – Keep cutting edge sharp and clean for best performance and to reduce the risk of injury. Follow instructions for lubricating and

changing accessories. Inspect trimmer periodically and replace if damaged, have it repaired by an authorized service facility. Keep handles dry, clean, free from oil and grease.

- 15. Checked damage parts** – Before further use of the trimmer, a guard or other part that is damaged should be carefully checked to determine that it will operate properly and perform its intended function. Check for the alignment of moving parts, binding of moving parts, breakage of parts, mounting, and any other condition that may affect its operation. A guard or other part that is damaged should be properly repaired or replaced by an authorized service center unless indicated elsewhere in this manual.

c) ADDITIONAL SAFETY INSTRUCTIONS FOR GRASS TRIMMER/EDGER

1. Keep guards in place and in working order.
2. Keep hands and feet away from cutting area.

⚠ CAUTION!

The safety guard is critical to the safety of the operator and people near the trimmer. The safety guard keeps the trimmer in good working order and must always be in place during operation.

- Do not try to stop the cutting device (nylon line) with your hands. Always let it come to a stop by itself.
- **⚠ WARNING!** After switching off the tool, the cutting device continues to rotate for a few more seconds.
- Only use the original type of nylon line. Under no circumstances use metal line instead of nylon.
- Do not use the tool to cut grass which is not on the ground. For example, do not cut grass which is on walls or rocks.
- Do not switch on the tool in enclosed or poorly ventilated spaces or in the presence of inflammable and/or explosive substances such as liquids, gasses and powders.
- Only cut during broad daylight or with adequate artificial light.
- Check that all grass cuttings and dirt have been removed from the ventilation vents.
- Do not cross roads or gravel paths with the tool still running.
- When the tool is not in use, store it in a dry place and out of reach of children.
- After use, disconnect the tool from the power supply and check for damage. If you have the slightest doubts, contact an authorized service center.
- Only use the tool according to the instructions given in this manual.
- Check regularly that the screws are tight.

- Do not try to repair the tool or access internal parts. Contact authorized service centers only.

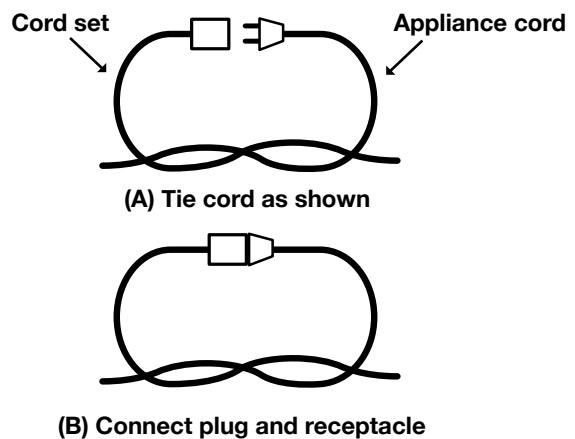
Extension Cords

- Make sure your extension cord is in good condition. When using an extension cord, be sure to use one heavy enough to carry the current your product will draw. An undersized cord will cause a drop in line voltage resulting in loss of power and overheating. Table 1 shows the correct size to use depending on cord length and nameplate Ampere rating. If in doubt, use the next heavier gauge. The smaller the gauge number, the heavier the cord.
- Ground Fault Circuit Interrupter (GFCI) protection should be provided on the circuits or outlets to be used for this Pole Saw. Receptacles are available having built-in GFCI protection and maybe used for this measure of safety.
- Use only UL listed extension cords. Inspect extension cord before use and never use damaged or altered extension cords. Follow extension cord manufacturer safety instructions.
- To reduce the risk of disconnection of appliance cord from the extension cord during operating use the plug-receptacle retaining straps provide or make a knot with the two cords as shown in Table 2.

Table 1. Minimum Recommended Extension Cord Gauge (AWG) Chart


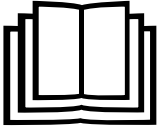



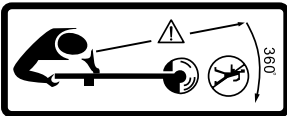
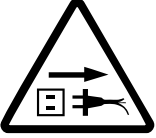
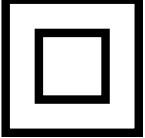
Volts	Total length of cord in feet			
	25	50	100	150
120V				
Ampere Rating	AWG (Extension Cord Gauge)			
0 – 6	18	16	16	14
6 – 10	18	16	14	12
10 – 12	16	16	14	12
12 – 16	14	12	Not Recommended	

Table 2. Method of securing Extension Cord



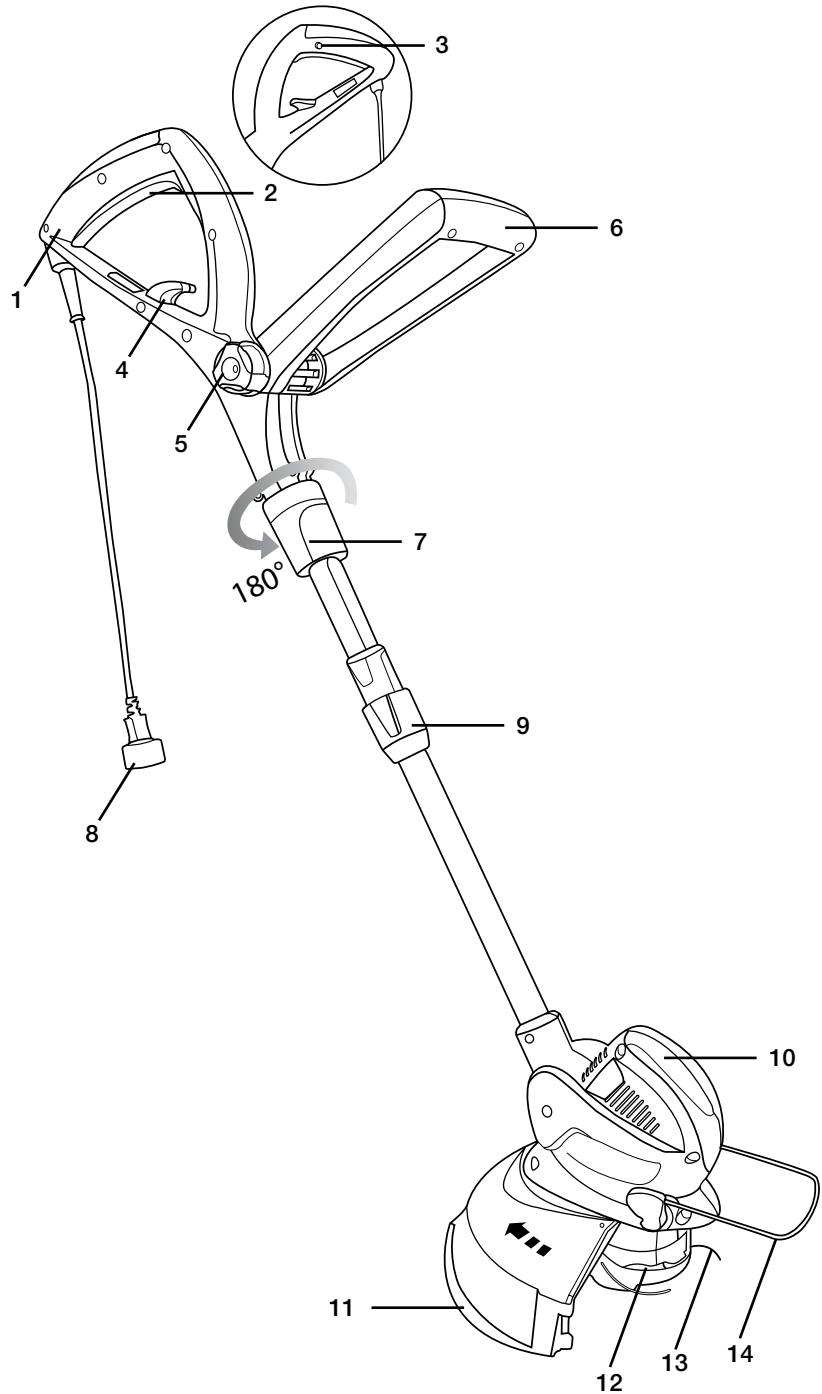
Safety Symbols

The following table depicts and describes safety symbols that may appear on this product. Read, understand, and follow all instructions on the machine before attempting to assemble and operate.

Symbol	Description
	<p>SAFETY ALERT, indicates a precaution, a warning or a danger.</p>
	<p>READ THE OPERATOR'S MANUAL(S) Read, understand and follow all instructions in the manual(s) before attempting to assemble and operate.</p>
	<p>WARNING! Keep out of rain and away from wet areas.</p>
	<p>For protection against injury, wear safety goggles and ear protection.</p>
	<p>Wear protective gloves and non-slip footwear when using the machine and handling debris.</p>
	<p>DANGER! Beware of thrown objects to bystanders. Keep bystanders at least 15m (50ft) away from the machine.</p>
	<p>WARNING! Remove the plug from the mains if cable is damaged or cut and replace damaged cord immediately.</p>
	<p>DOUBLE INSULATION – when servicing, use only identical replacement parts.</p>

Know Your Electric Grass Trimmer/Edger

1. Handle
2. ON/OFF trigger
3. Safety button
4. Cable restraint
5. Handle knob
6. Auxiliary handle
7. Locking lever
8. Power cord
9. Telescopic shaft adjustment knob
10. Shroud
11. Safety guard
12. Cooling fan
13. Spool
14. Flower guard



Technical Data

Rated Voltage – 120V~60Hz

Rated Power – 4 AMP

Maximum Cutting Diameter – 12-IN

Load Speed – 9,300/min

Diameter of Line – 0.063-IN

Spool Length – 20-FT, Bump Feed

Unpacking

Carton Contents:

- Grass trimmer/edger
- Safety guard
- Auxiliary handle
- Handle bolt and screws
- Safety and operating instruction manual

Unpacking:

1. Carefully remove the contents from the shipping carton. Make sure that all items listed in the carton contents are included.
2. Inspect the product carefully to make sure no breakage or damage occurred during shipping. If you find damaged or missing parts, DO NOT return to store, please call 1-866-766-9563.

NOTE: Do not discard the shipping carton and packaging material until you are ready to use your new Electric Garden Trimmer/Edger.

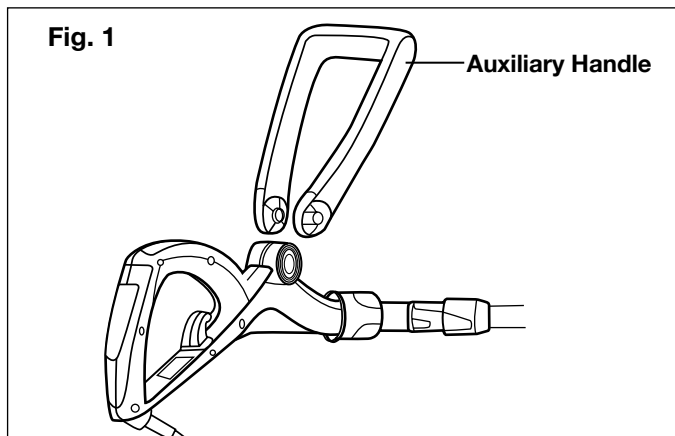
Assembly

Before using the Electric Garden Trimmer/Edger, follow these instructions to assemble:

NOTE: Observe correct mains voltage – The voltage of the power source must match the voltage specified on the nameplate of the unit.

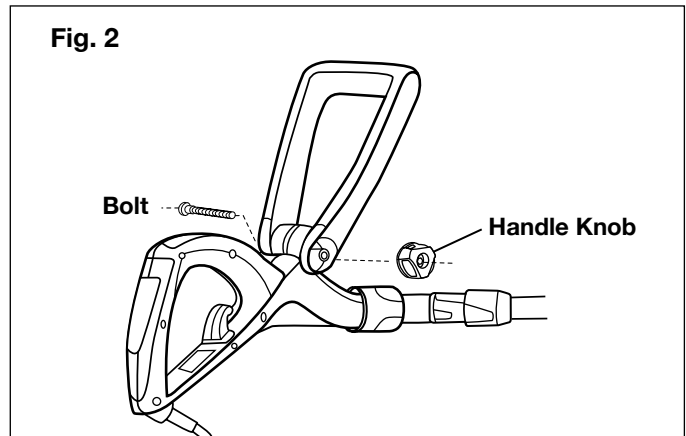
Fitting Auxiliary Handle

1. Remove the trimmer and parts from the box.
2. Place your handle on the tool as shown (Fig. 1).



3. Adjust handle to the most comfortable position.

4. Assemble the auxiliary handle on the machine and insert the handle knob into the auxiliary handle, tighten the handle with the bolt provided (Fig. 2).

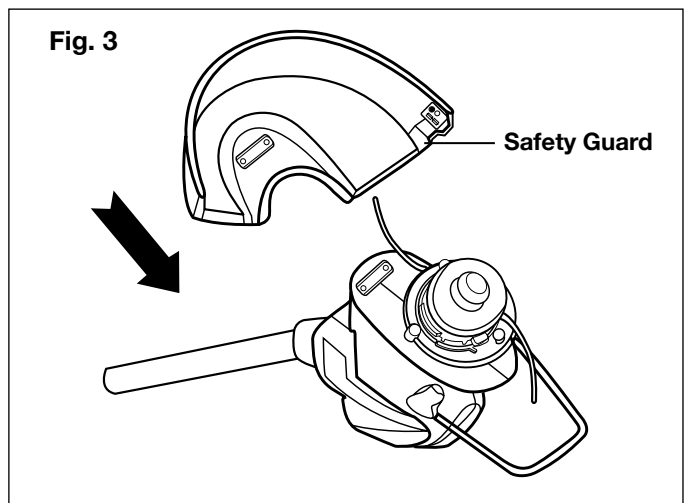


5. Ensure the handle assembly and the machine body assembly are fixed tightly.

Fitting the safety guard

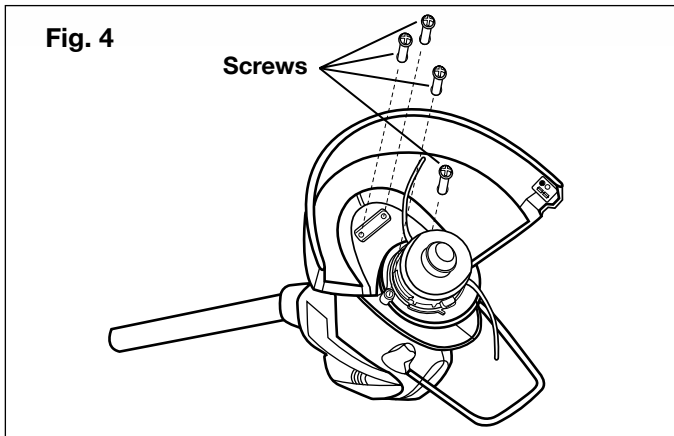
⚠ WARNING! The guard must be properly installed. The guard provides partial protection from the risk of thrown objects to the operator and others.

1. Unplug the tool and remove the screws from the motor housing.
2. Place safety guard in direction of arrow to align with screw holes (Fig. 3).



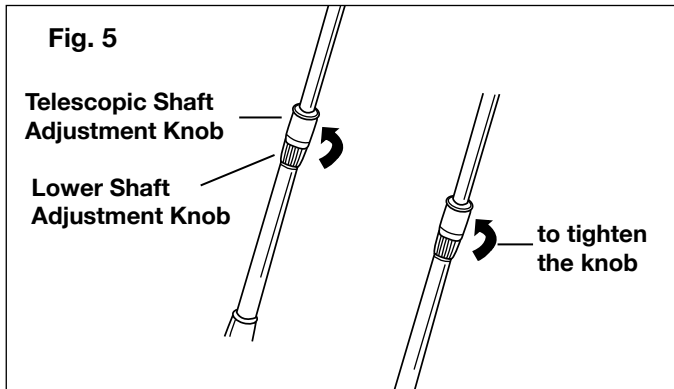
3. Firmly press the safety guard into place and secure the safety guard onto the trimmer head with the screws provided (Fig. 4).

NOTE: Never use the tool unless the safety guard is properly fitted.



Adjusting the telescopic shaft

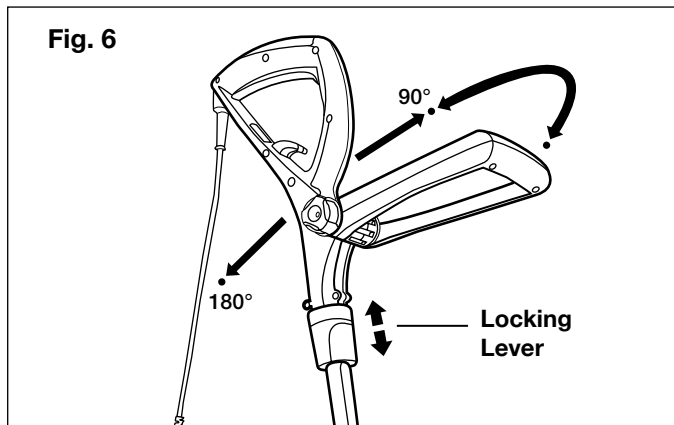
1. Loosen the telescopic shaft adjustment knob.
2. Pull and adjust the shaft to a comfortable height (Fig. 5).
3. Make sure to tighten the knob once the desired length is suitable (Fig. 5).



Adjusting the angle of cutting head

⚠️ WARNING! Always unplug the trimmer before making any adjustments to the trimmer.

1. Slide the locking lever down and hold (Fig. 6).
2. Twist the operation handle to the desired position.
3. Release locking lever.



⚠️ WARNING! Never use steel, wire, rope, string, or other materials as cutting line. Other materials can break off during cutting and become a dangerous missile that can cause serious injury.

Application

Replacing the spool

1. Disconnect the main plug.
2. Press together both locking devices at the spool cover and remove the cover (Fig. 8).
3. Remove the spool from the spool cover (Fig. 9).
4. Remove the spring and clean dirt and grass residues.

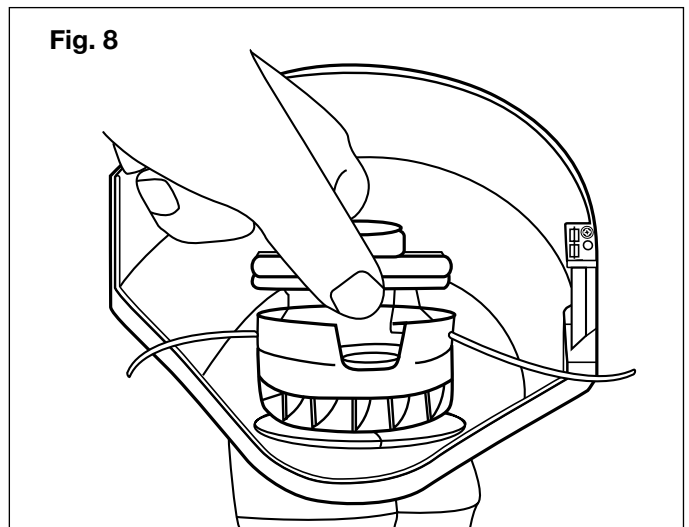
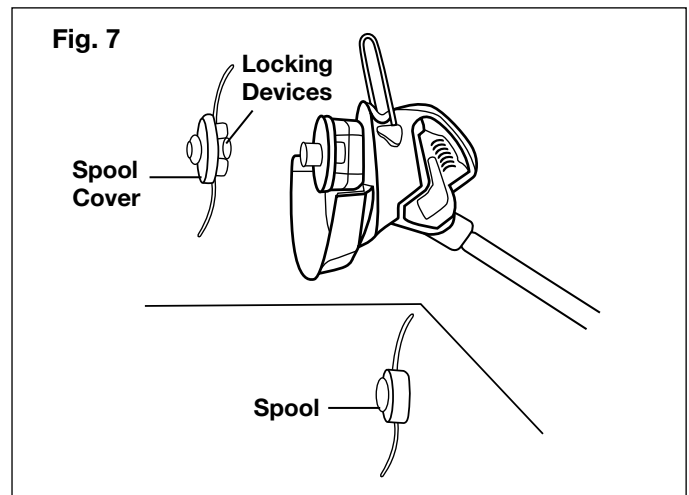
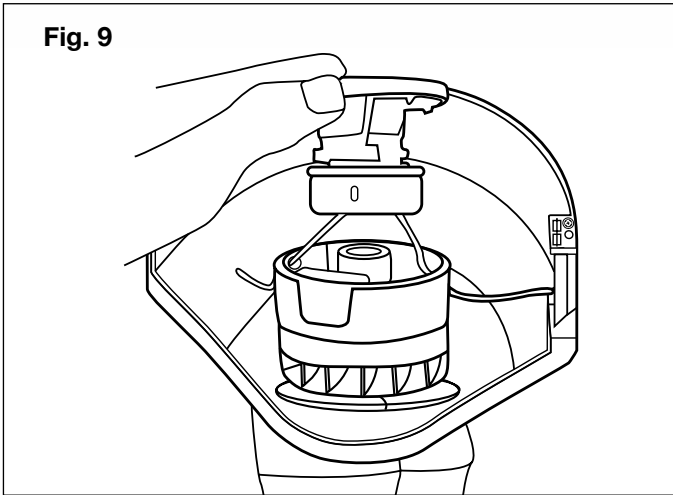
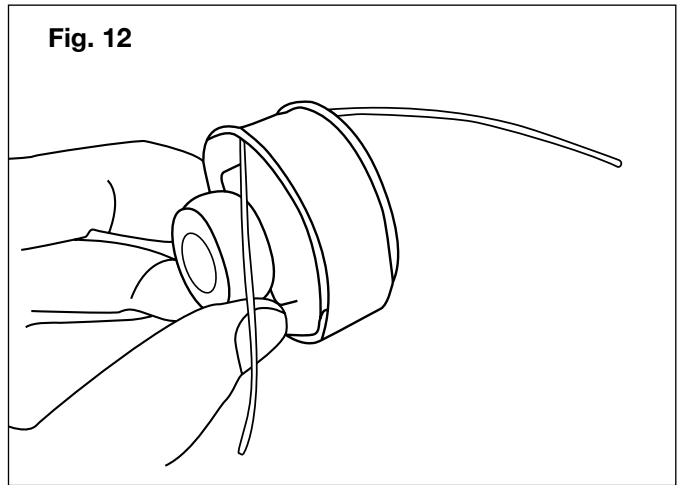


Fig. 9



3. Firmly place the cover on the spool and pull them approx. 3.5 inch (9 cm) out of the spool (Fig. 12).

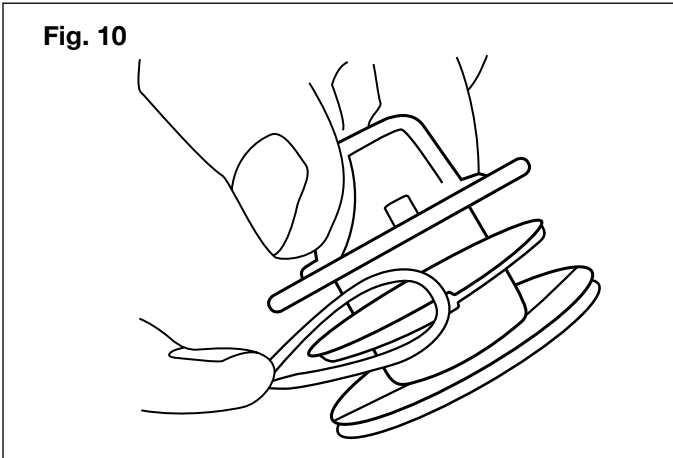
Fig. 12



Winding the line

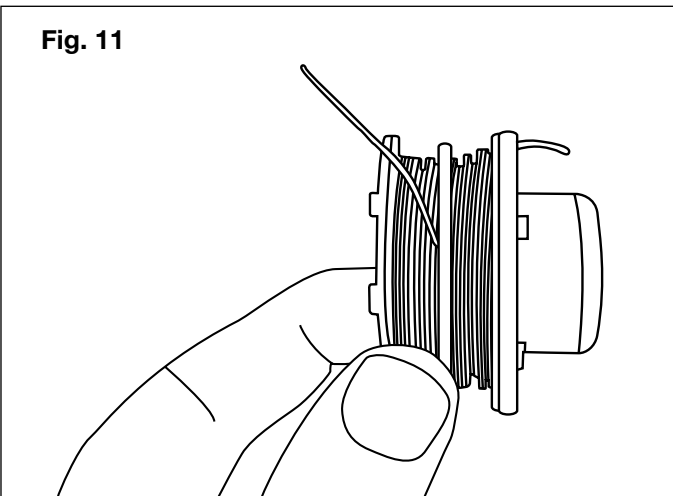
1. Hook the line in the groove as shown in Fig.10.

Fig. 10



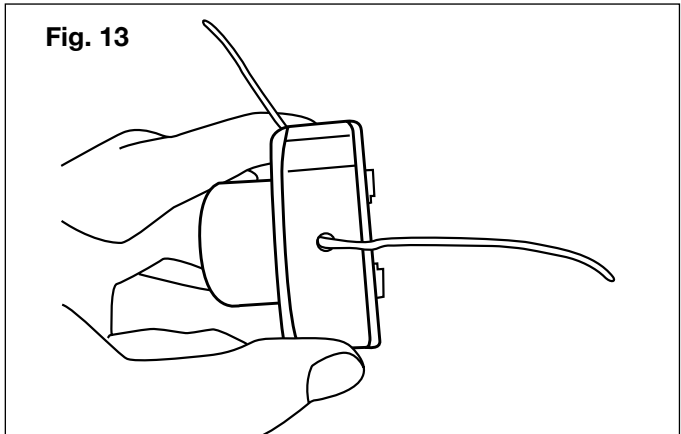
2. Wind the line as shown in Fig. 11 and hook the two ends in the side grooves.

Fig. 11



4. Along the groove, slide the line into the hole in the spool cover (Fig. 13).

Fig. 13

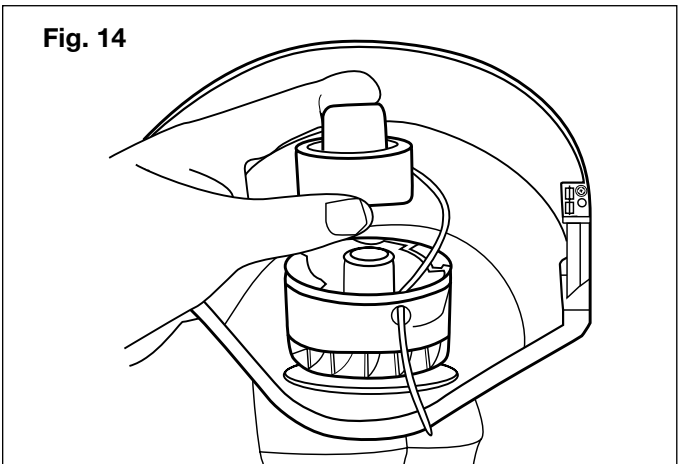


5. Prepare to assemble the spool into the trimmer.

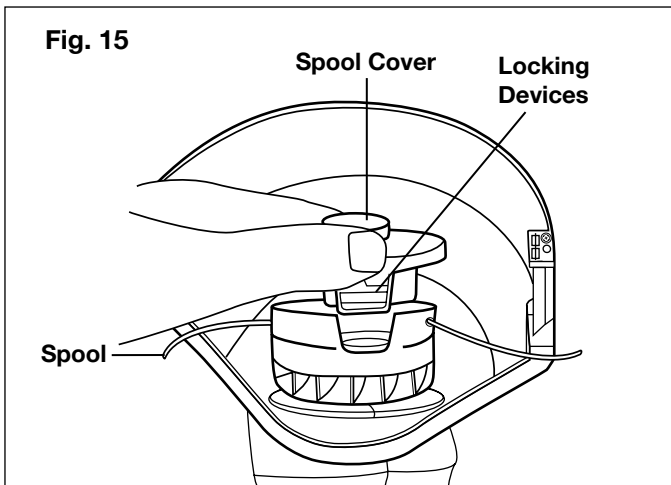
Assembling the spool

1. Insert the spring into the shroud and thread the spool into the hole as shown in Fig. 14.

Fig. 14

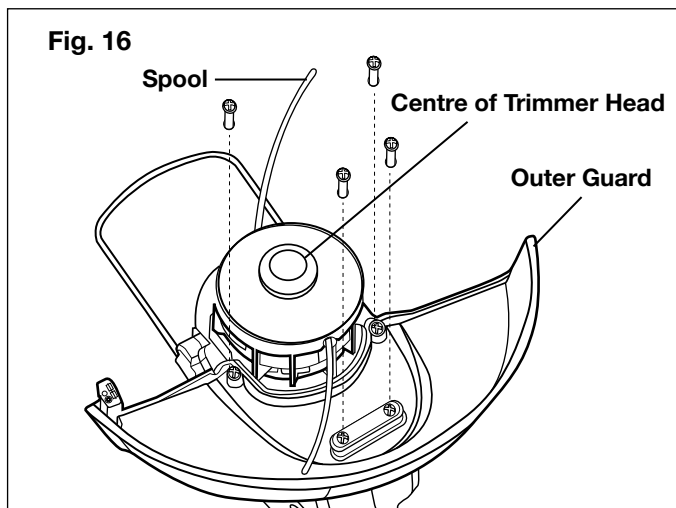


- Place the spool cover on the spring and press it firmly down until the locking devices of the spool cover securely click into place (Fig. 15).



Check length of nylon cutting line

- Pull line to inner edge of outer safety guard. If the line is too short, i.e., more than 50 mm from inside edge of safety guard, push down on centre of trimmer head and at the same time pull the line a few centimeters past the edge of the safety guard (Fig. 16).



To increase line length

NOTE: The grass trimmer comes with a full line spool. The line wears down during work. To feed in new line:

- Switch the machine on and press the head of the spool firmly against the ground.
- The line will automatically be released by centrifugal force. The trimmer line will be cut to the right length by the blade on the spool cover.

Operation

The Electric Grass Trimmer/Edger is intended for the cutting of grass and weeds under bushes, as well as on slopes and edges that cannot be reached with the lawn mower. The trimmer must be used outdoors only, at an ambient temperature between 0°C and 45°C.

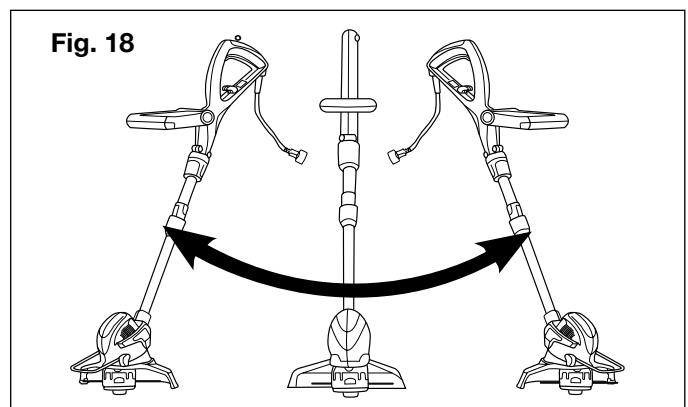
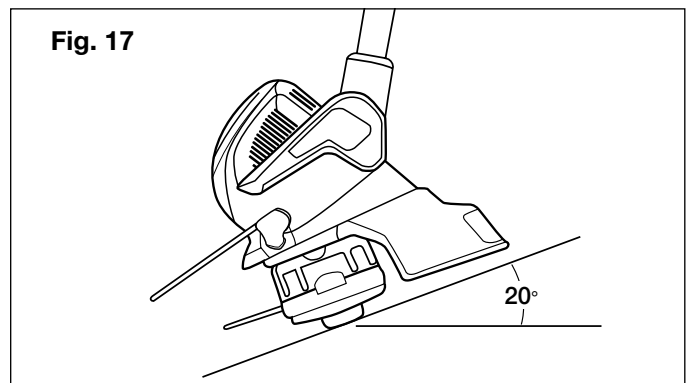
⚠ WARNING! Remove stones, loose pieces of wood and other objects from the cutting area. The blade continues to rotate for a few seconds after the trimmer is switched off. Allow the motor to stop rotating before switching on again. Do not rapidly switch off and on.

ON/OFF switch

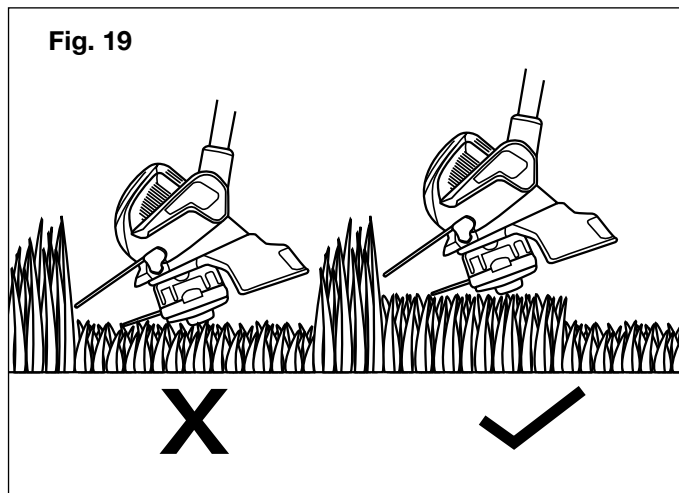
- To switch the grass trimmer ON, press and hold the safety button, then squeeze the ON/OFF trigger and you can now release the safety button.
- To switch OFF, release the ON/OFF trigger.

Cutting grass

- Move the grass trimmer left and right, keeping it well away from the body. The trimmer can efficiently cut grass up to a height of 15 cm. Cut higher grass in stages.
- When using the trimmer hold at an angle of about 20° to the ground (Fig. 17) and swing the trimmer from side to side (Fig. 18).

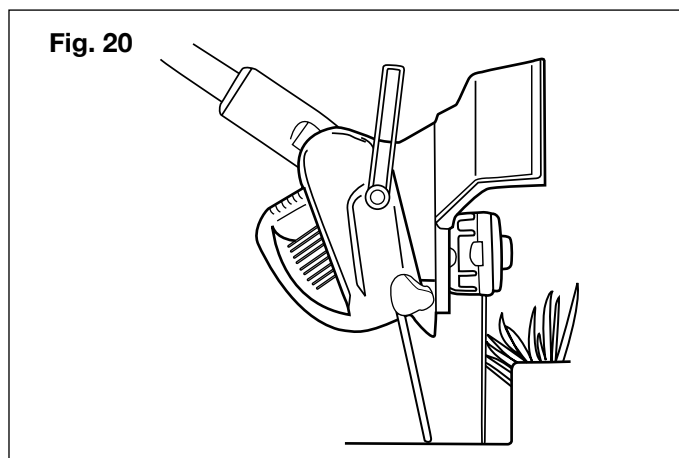


⚠ WARNING! Do not overload the trimmer – cut in small sections, which will greatly improve efficiency by keeping the trimmer running at a high speed (Fig. 19).



Trimming edges

1. Guide the grass trimmer along the edge of the lawn. Avoid contacting with paved surfaces, stone or garden walls, as this will wear the line rapidly.
2. Use the edge of the guard as a guide when cutting near fences and walls, etc. (Fig. 20).
3. Moving trimmer in a backwards direction will avoid damage.



Maintenance

⚠ WARNING! Before carrying out any maintenance operations, cut off the electric power supply by disconnecting the plug from the extension cable.

⚠ WARNING! Always wear protective gloves during maintenance operations. Do not carry out maintenance when the engine is running or hot.

⚠ WARNING! Use only original manufacturer's replacement parts, accessories and attachment. Failure to do so can cause possible injury, and poor performance.

- Before conducting any maintenance make sure the trimmer is unplugged.
- Only the maintenance operations described in this manual may be carried out by the user. For repairs which have not been explained in these instructions, contact an authorized service center.
- Check all screws regularly to ensure that they sit tight.
- Only use original replacement parts. Only these spare parts are designed and suitable for the device. Other replacement parts will not only lead to an invalidation of the warranty, they may also endanger you and your environment.
- Do not spray or wet the appliance with water.
- Do not use detergents or solvents as these could ruin the trimmer. The parts in plastic can easily be damaged by chemical agents.
- If cutting blade no longer cuts or breaks, have this replaced by contacting an authorized service center.

IMPORTANT:

To assure product safety and reliability, repairs, maintenance and adjustment should be performed by authorized service centers or other qualified service organization, always using identical replacement parts.

Storage

Follow these recommendations for storing the grass trimmer.

- Clean the grass trimmer thoroughly before storing.
- Store it out of the reach of children, in a stable and safe position and in a dry place where the temperature is not too hot or too cold.
- Do not store the grass trimmer resting on the floor. Hang it by the upper handgrip instead, so that the guard does not touch anything. The resting of the guard on a surface could alter its shape and therefore its dimensions and safety characteristics would be modified.

Troubleshooting

Problems	Possible Cause	Possible Solution
<p>The motor does not run or the tool runs slowly.</p>	<ul style="list-style-type: none"> • Power failure/unit not plugged into a working receptacle. • Spool housing can not rotate freely. • Cutting line does not protrude. 	<ul style="list-style-type: none"> • Check to make sure unit is plugged into a working outlet. Make sure extension cord is not damaged. • Remove the spool and clean the slots, carefully remove any grass and weeds and so forth. • Cut the spool line off so that it just reaches the line trimming blade. • Take the trimmer to an authorized service center if the trimmer does not start after completing the checks.
<p>Bump line feed does not work.</p>	<ul style="list-style-type: none"> • Trimming blade bound with accumulated grass. • Bump feed out of line. • Spool bound up. • Bump feed is dirty. • Spool line twisted when refilled. • Not enough line is exposed. 	<ul style="list-style-type: none"> • Stop the machine and clean the trimming blade. • Install a new spool of cutting line. • Clean the bump feed. • Remove the spool cover and pull the cutting line until it reaches the trimming blade.

Service and Support

If your Electric Grass Trimmer/Edger requires service or maintenance, please call 1-866-766-9563 for assistance.

Model and Serial Numbers

When contacting the company or reordering parts, you will need to provide the model and serial numbers of your product. These are found on the decal affixed to the housing or guard of your Electric Grass Trimmer/Edger. Copy these numbers into the space provided below.

Record the following numbers from the housing or handle of your new product:

Model #:

| T | R | J | 6 | 0 | 1 | E |

Serial #:

| | | | | | | | | | | | | | | | | | | | | |



A Two-Year Full Warranty for residential use in the United States and Canada



General Conditions:

Snow Joe, LLC warrants this product to the original purchaser for two years against defects in material or workmanship when used for normal residential purposes. Snow Joe, LLC will repair any defect in material or workmanship, and repair or replace any defective part, subject to the conditions, limitations, and exclusions set forth herein. Such repair or parts replacement will be free from charge to the original purchaser except noted below.

The duration of the warranty applies only if the product is put to personal use around the household or residence. If the product is put to any business use, commercial or industrial, then the duration of this warranty is 90 days from the date of original purchase. If any product is rented or leased, the duration of the warranty is 90 days from the date of original purchase.

It is the owner's responsibility to perform correctly all maintenance, and minor adjustments explained in the owner's manual.

Electric Products:

To obtain a replacement electric powered unit or repair the existing electric powered unit, you must return the complete unit and postage prepaid to: Snow Joe Return Center, 86 Executive Avenue, Edison, NJ 08817.

Gasoline / Battery Products:

Limitations

- Batteries are warranted only for the period of 12 months after the date of purchase on a prorated basis. Rechargeable batteries will be replaced free from charge during the first 90 days. After the initial 90 days, batteries will be replaced at prorated cost to the customer
- Idlers, cables, and electrical components are warranted to the original purchaser for use at household or residence for a period of two years

Exclusions

- Snow Joe brand engines are covered under this warranty. All other engines and engine accessories are covered only by the engine manufacturer's warranty and are not covered by this warranty
- Parts used that are not genuine Snow Joe parts are not covered by this warranty
- Damages resulting from misuse, alteration, improper assembly, improper adjustment, neglect, or accident which requires repair is not covered under this warranty
- Belts, augers, and tines are not covered under warranty – belts, augers, and tines wear out and can be purchased at www.snowjoe.com or by calling 1-866-766-9563

Snow Joe, LLC may from time to time change the design of its products. Nothing contained in this warranty shall be construed as obligating Snow Joe, LLC to incorporate such design changes into previously manufactured products, nor shall such changes be construed as an admission that previous designs were defective.

This warranty is intended to cover product defects only. Snow Joe, LLC is not liable for indirect, incidental, or consequential damages in connection with the use of the Snow Joe Products covered by this warranty. This warranty does not cover any cost or expense incurred by the purchaser in providing substitute equipment or service during reasonable periods of malfunction or non-use of this product, while waiting for completion of repairs under this warranty. Some states do not allow exclusions of incidental or consequential damages, so the above exclusions may not apply in all states. This warranty may give you specific legal rights in your state.

**If you wish to contact Snow Joe, please direct inquiries to the:
Customer Service Department
Snow Joe Center
86 Executive Avenue
Edison, NJ 08817**

Customers who have purchased Snow Joe products exported from the United States and Canada should contact their Snow Joe Distributor (Dealer) to obtain information applicable for your country, province, or state. If for any reason, you are not satisfied with the distributor's service, or if you have difficulty obtaining warranty information, contact your Snow Joe seller. If in the event your efforts are unsatisfactory, please write to the Snow Joe Center at the above address.

If you have any questions about your product warranty, please call 1-866-SNOW-JOE or visit us online at www.snowjoe.com.