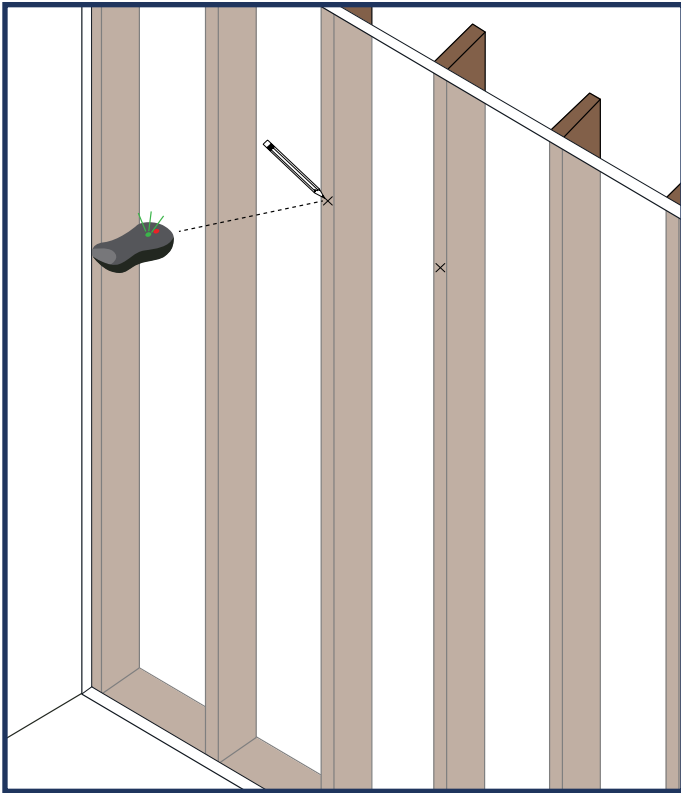
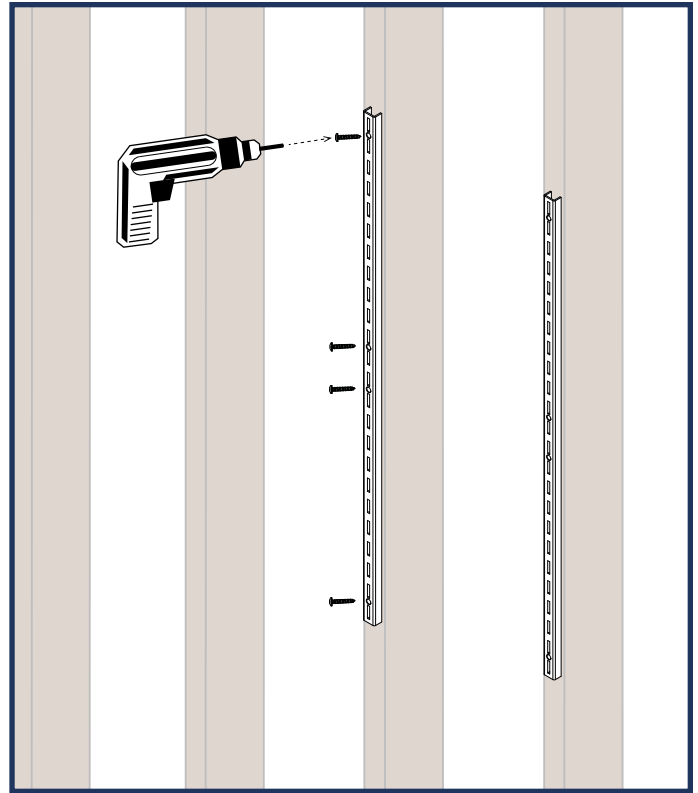


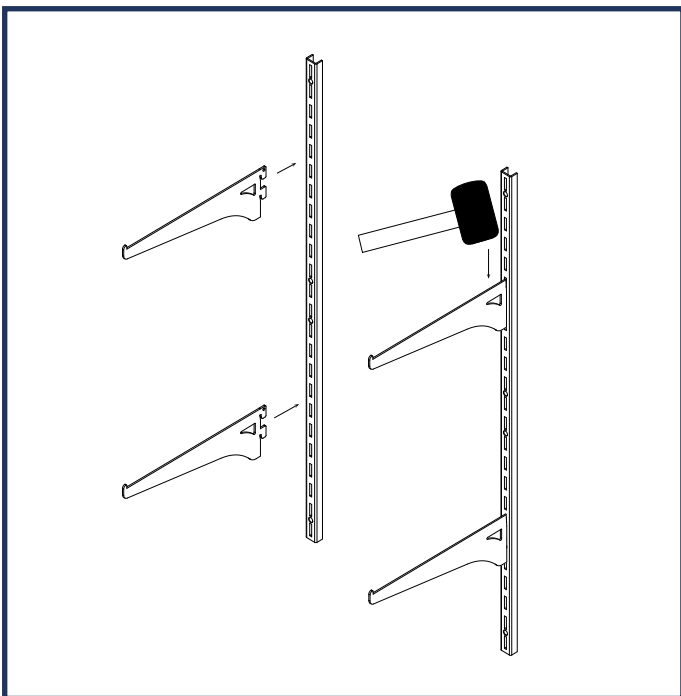
# Shelving Installation Instructions



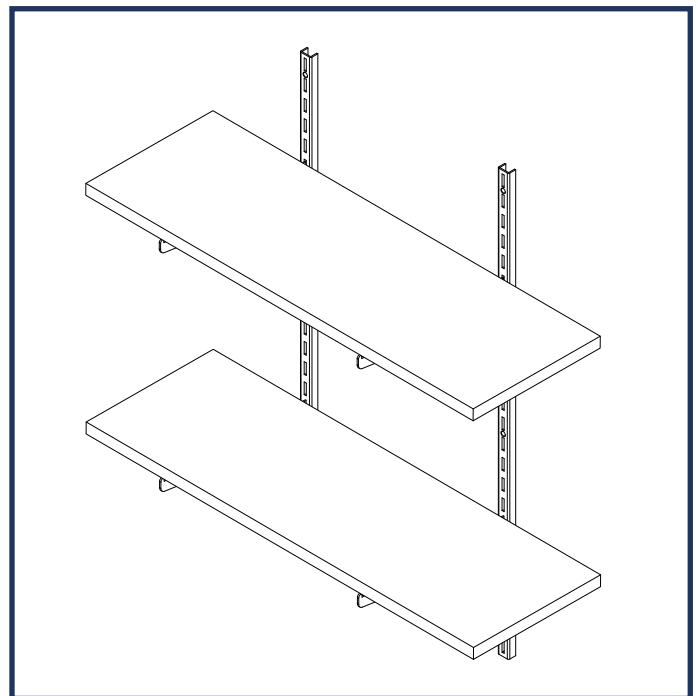
1. Locate & mark wall studs.



2. Level and attach the standards/upright to the wall on 16" stud centers.



3. Insert brackets into standards/upright and firmly tap them down at the base to seat the bracket securely.



4. Add shelves to the brackets to complete the installation.