

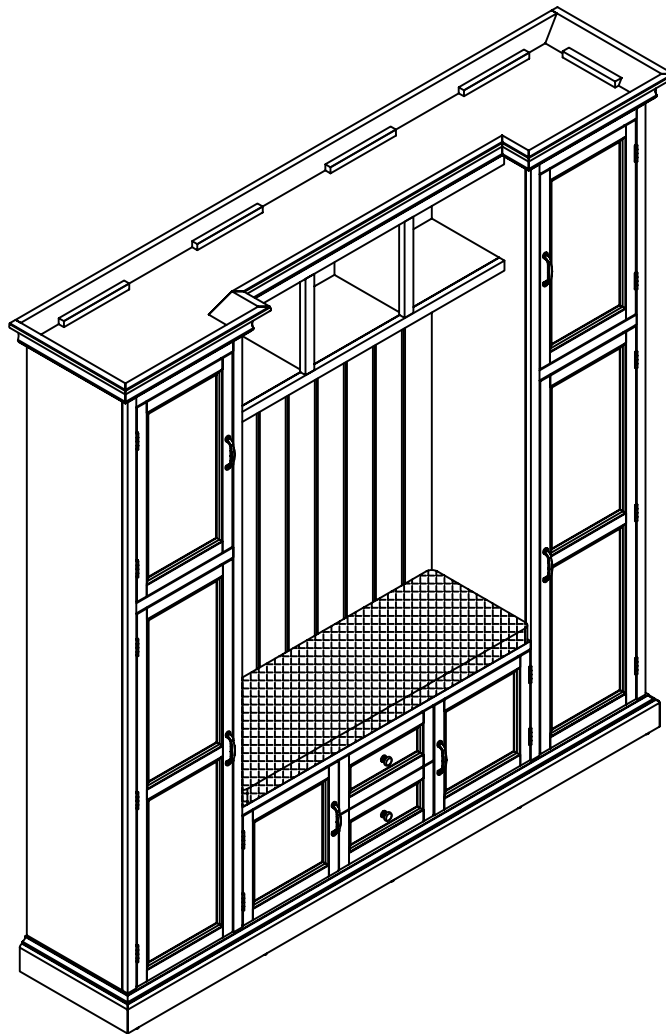
HOME DECORATORS COLLECTION

1002949566 1002949568 1002949570 1002949567 1002949569 1002949571
1002949575 1002949577 1002949573 1002949576 1002949572 1002949574
1002949580 1002949582 1002949578 1002949581 1002949583 1002949579

SK18208A ROYCE ALL IN ONE MUDROOM 81"Hx79"Wx17"D

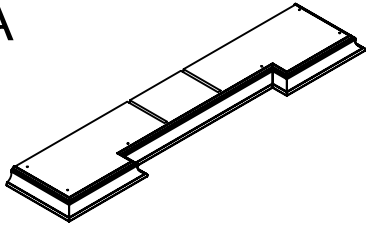
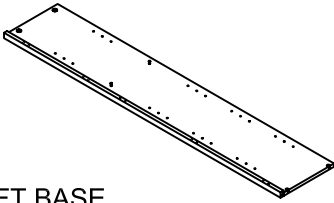
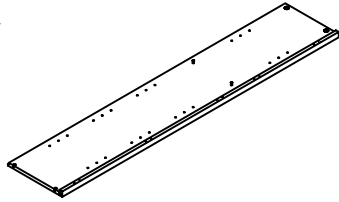
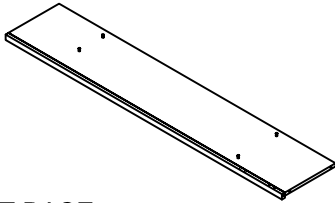
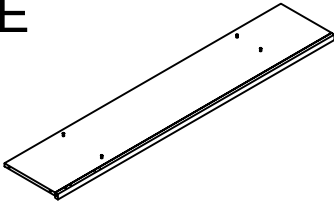
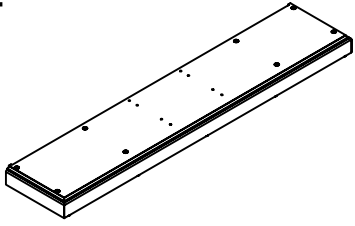
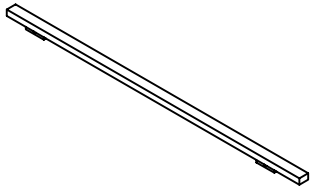
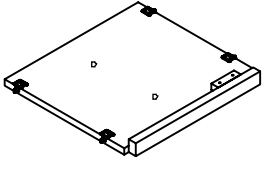
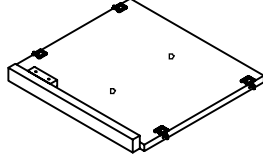
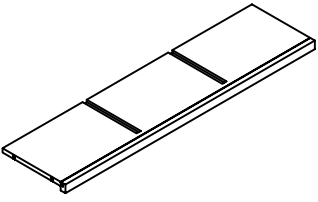
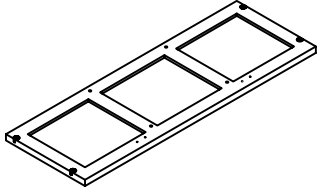
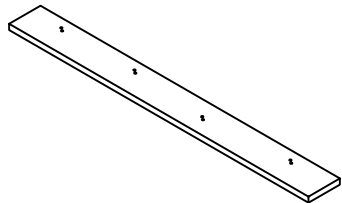
ASSEMBLY INSTRUCTIONS

Made In China

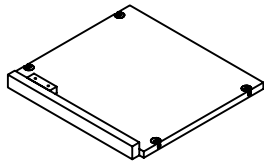


Thank you for purchasing this quality product. Be sure to check all packing material carefully for small parts, which may have come loose inside the carton during shipment. Count all parts and material hardware, then compare with parts list to be sure all parts are present. If any parts are missing or damaged, please contact our Customer Service Department for efficient and speedy service. Please indicate the model number and code letter of part(s) needed.

IMPORTANT NOTE: Follow instructions listed below in proper sequence as numbered to assure fast, easy and correct assembly.

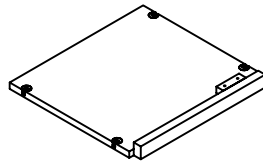
PARTS LIST		
A 	B 	C 
TOP PANEL-1PC	LEFT BASE LEFT SIDE PANEL-1PC	RIGHT BASE RIGHT SIDE PANEL-1PC
D 	E 	F 
LEFT BASE RIGHT SIDE PANEL-1PC	RIGHT BASE LEFT SIDE PANEL-1PC	BOTTOM PANEL-1PC
G 	H 	I 
MIDDLE CROSS BRACE-1PC	RIGHT SIDE TOP FIXED PANEL-1PC	LEFT SIDE TOP FIXED PANEL-1PC
J 	K 	L 
UP FIXED PANEL-1PC	DOWN FIXED PANEL-1PC	BACK CROSS BRACE-1PC

M



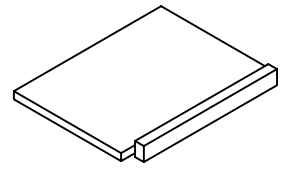
LEFT SIDE BOTTOM
FIXED PANEL-1PC

N



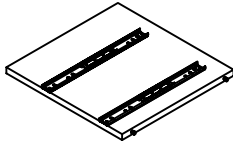
RIGHT SIDE BOTTOM
FIXED PANEL-1PC

O



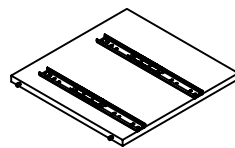
UP PARTITION-2PCS

P



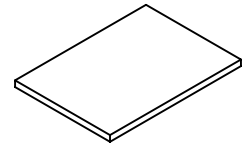
DOWN LEFT PARTITION-1PC

Q



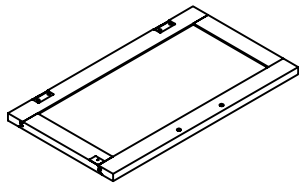
DOWN RIGHT PARTITION-1PC

R



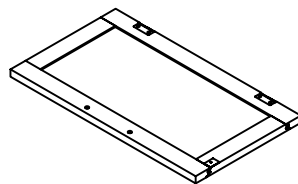
ADJUSTABLE SHELF-8PCS

S



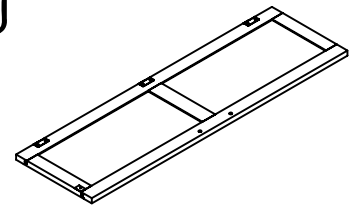
UP LEFT SIDE DOOR-1PC

T



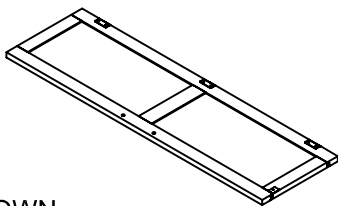
UP RIGHT SIDE DOOR-1PC

U



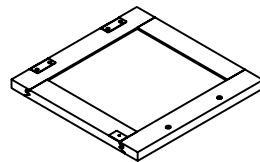
DOWN
LEFT SIDE DOOR-1PC

V



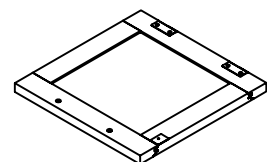
DOWN
RIGHT SIDE DOOR-1PC

W



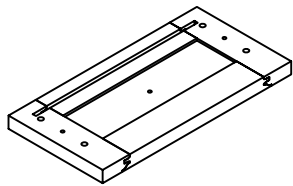
LEFT SIDE
MIDDLE DOOR-1PC

X



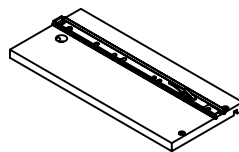
RIGHT SIDE
MIDDLE DOOR-1PC

Y



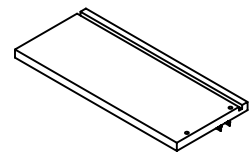
DRAWER FRONT PANEL-2PCS

Z



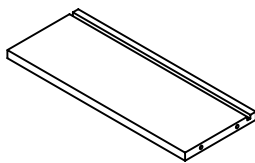
DRAWER
LEFT SIDE PANEL-2PCS

AA



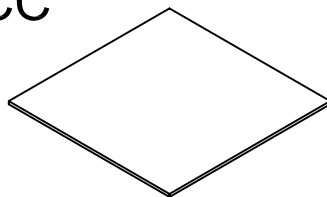
DRAWER
RIGHT SIDE PANEL-2PCS

BB



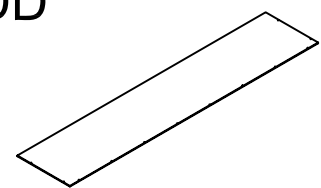
DRAWER
BACK PANEL-2PCS

CC

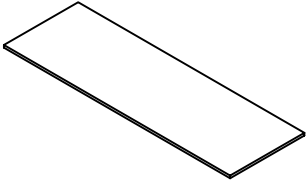
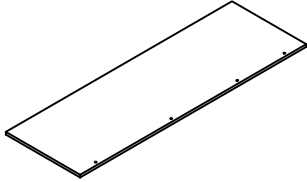
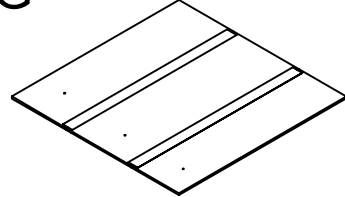
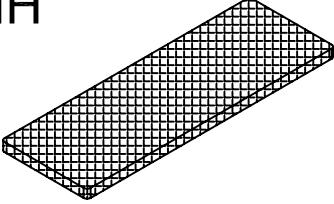

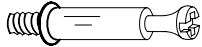


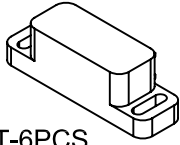



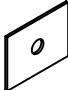


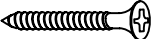

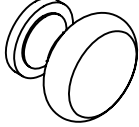
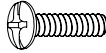


DRAWER
BOTTOM PANEL-2PCS

DD

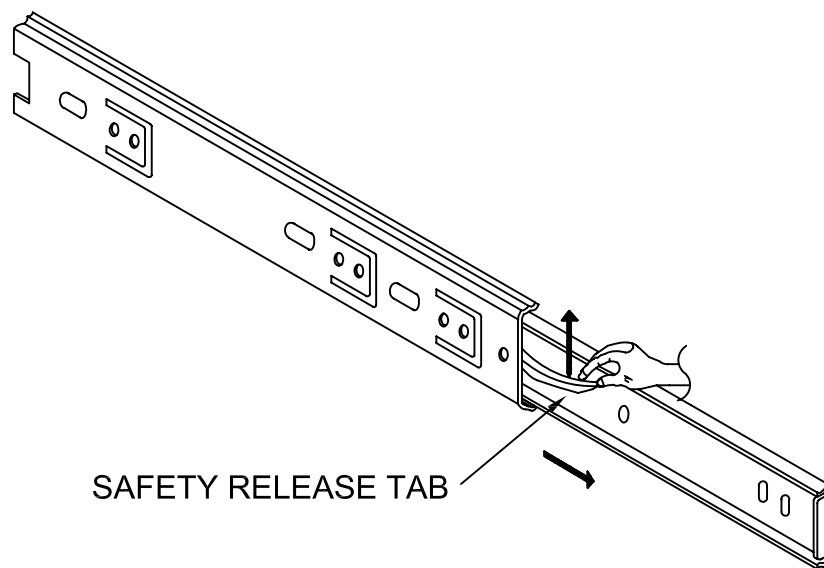


SIDE BACK PANEL-2PCS

<p>EE</p>  <p>UP BACK PANEL-1PC</p>	<p>FF</p>  <p>DOWN BACK PANEL-1PC</p>	<p>GG</p>  <p>MIDDLE BACK PANEL-1PC</p>
<p>HH</p>  <p>CUSHION-1PC</p>	<p>a</p>  <p>WOOD DOWEL-32PCS</p>	<p>b</p>  <p>CAM LOCK BOLT-7PCS</p>
<p>c</p>  <p>CAM LOCK-7PCS</p>	<p>d</p>  <p>PLASTIC COVER-4PCS</p>	<p>g</p>  <p>MAGNET-6PCS</p>
<p>h</p>  <p>5/8\" data-bbox="115 512 292 538"/> </p>	<p>i</p>  <p>1/2\" data-bbox="378 512 555 538"/> </p>	<p>j</p>  <p>POTHOOK-4PCS</p>
<p>k</p>  <p>METAL PLATE-31PCS</p>	<p>l</p>  <p>HANDLE-6PCS</p>	<p>m</p>  <p>HANDLE BOLT-12PCS</p>
<p>n</p>  <p>1\" data-bbox="115 732 292 764"/> </p>	<p>o</p>  <p>SHELF PIN-32PCS</p>	<p>p</p>  <p>KNOB-2PCS</p>
<p>ANTI-TIPPING HARDWARE PACKAGE</p> <p>1 x4 RECTANGLE METAL PLATE</p> <p>2 x2 1/2\" data-bbox="235 792 282 812"/> HEAD SCREW</p> <p>3 x2 PLASTIC ANCHOR</p> <p>4 x2 PLASTIC BAND</p> <p>5 x2 1-1/2\" data-bbox="518 792 602 832"/> HEAD SCREW</p>		<p>q</p>  <p>KNOB BOLT-2PCS</p>

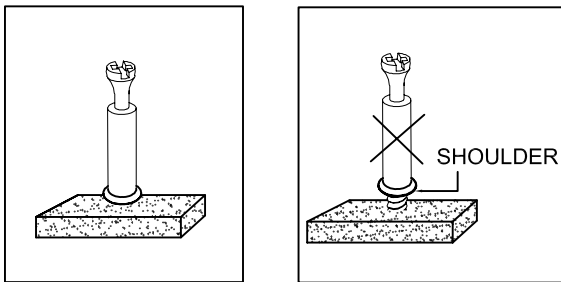
NOTE:THE SURFACE WITH THE STICKER IS THE BACK SIDE

HOW TO SEPARATE GLIDES



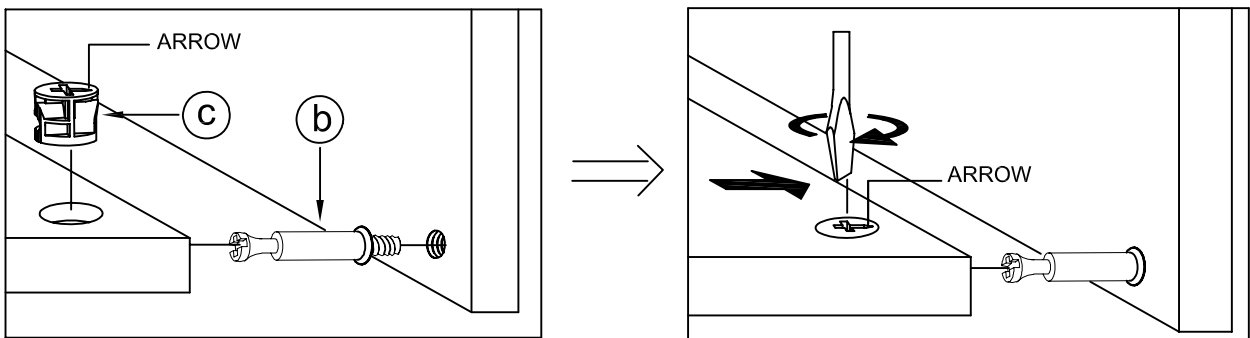
PRIOR TO ASSEMBLY, WE SUGGEST SEPARATING THE INNER GLIDES FROM THE OUTER-GLIDES, SIMPLY PULL THE LEFT/RIGHT INNER GLIDES FROM THE OUTER GLIDES EXPOSING A SMALL BLACK SAFETY RELEASE TAB, BY PUSHING THE SAFETY RELEASE TAB. YOU WILL BE ABLE TO SEPARATE THE GLIDES.

NOTE: • UPON OPENING, THOROUGHLY CLEAN ALL WOOD SURFACES TO REMOVE DUST AND DIRT THAT MAY HAVE SETTLED ONTO THE FINISH DURING SHIPMENT. IN ORDER TO PREVENT DAMAGE DURING ASSEMBLY. PLEASE ASSEMBLE THIS ITEM WITH AT LEAST TWO PEOPLE.



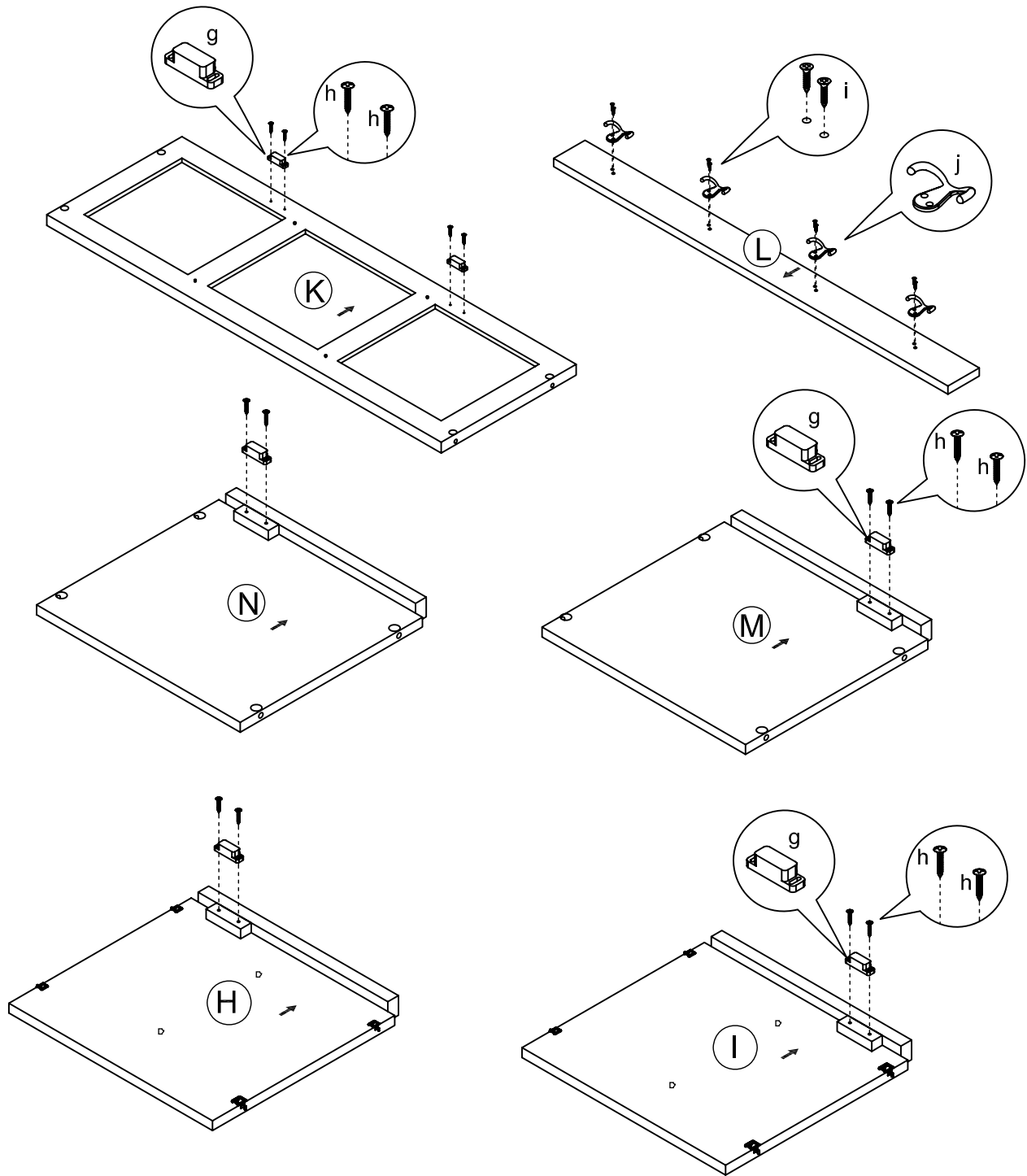
NOTE: TURN THE CAM-BOLT SCREWS UNTIL THEY ARE TIGHT, THE SHOULDER SHOULD BE AGAINST THE SURFACE OF THE PART.

HOW TO USE THE CAM-TOOL



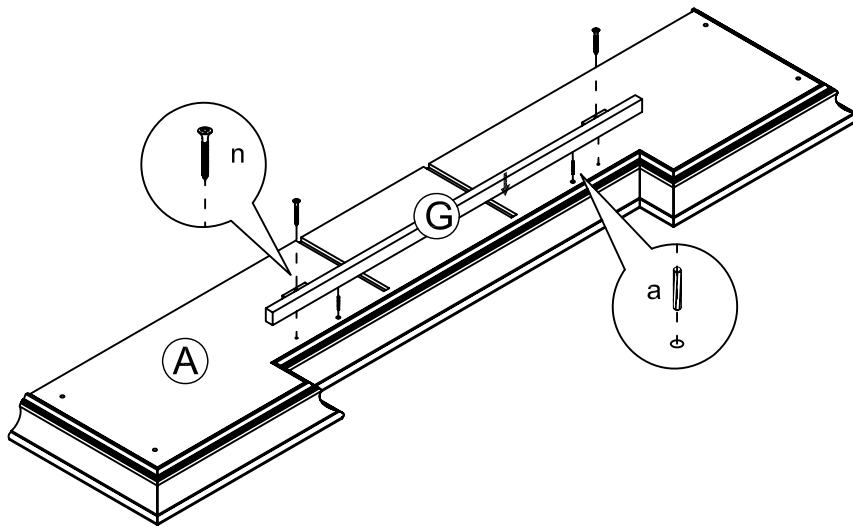
NOTE: • THE ARROWS ON THE HIDDEN CAM-LOCKS SHOULD POINT TO THE CAM-BOLTS.

FIG 1



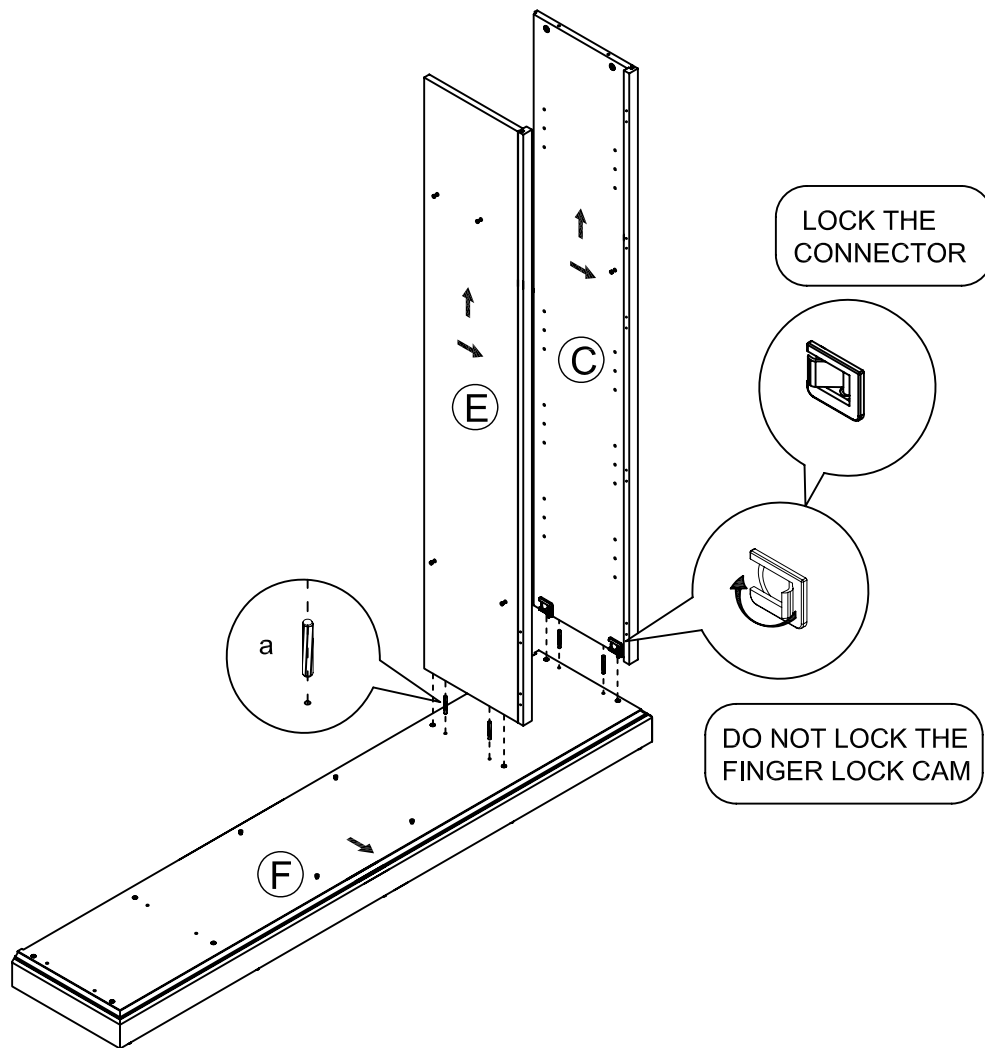
- ATTACH THE MAGNET (g) TO THE DOWN FIXED PANEL (K), THE LEFT SIDE BOTTOM FIXED PANEL (M), THE RIGHT SIDE BOTTOM FIXED PANEL (N), THE LEFT SIDE TOP FIXED PANEL (I) AND THE RIGHT SIDE TOP FIXED PANEL (H) BY USING THE 5/8" L ROUND HEAD SCREW (h).
- ATTACH THE POTHOOK (j) TO THE BACK CROSS BRACE (L) BY USING THE 1/2" L FLAT HEAD SCREW (i).

FIG 2



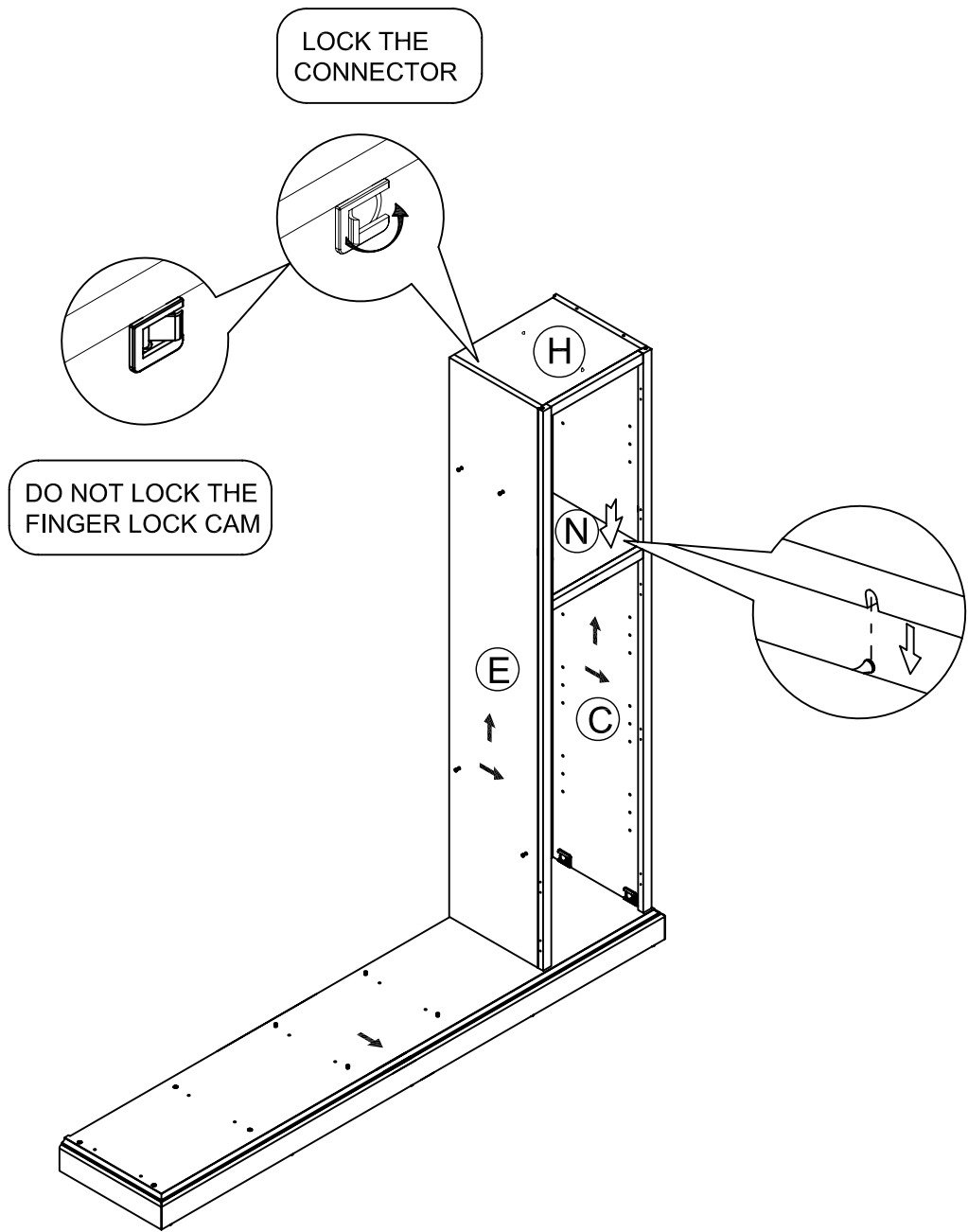
- JOIN THE MIDDLE CROSS BRACE (G) TO THE TOP PANEL (A) BY USING THE WOOD DOWEL (a) FIRST.
- TIGHTEN THE MIDDLE CROSS BRACE (G) BY USING THE 1" L FLAT HEAD SCREW (n) THROUGH PRE-DRILLED HOLES ON THE MIDDLE CROSS BRACE (G) .

FIG 3



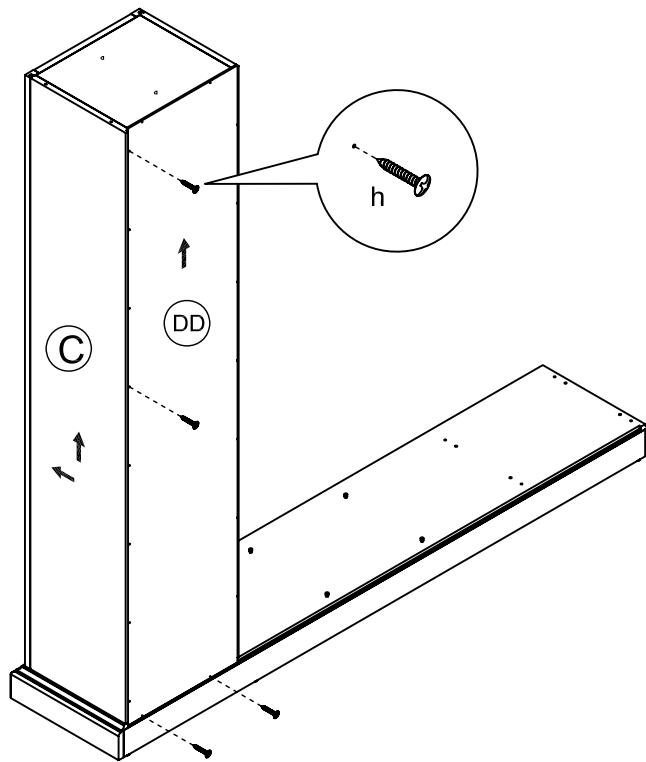
- JOIN THE RIGHT BASE LEFT SIDE PANEL (E) AND THE RIGHT BASE RIGHT SIDE PANEL (C) TO THE BOTTOM PANEL (F) BY USING THE WOOD DOWEL (a) FIRST.
- TIGHTEN THE RIGHT BASE RIGHT SIDE PANEL (C) AND THE RIGHT BASE LEFT SIDE PANEL (E) TO THE BOTTOM PANEL (F) BY LOCKING THE CONNECTOR AS SHOWN.

FIG 4



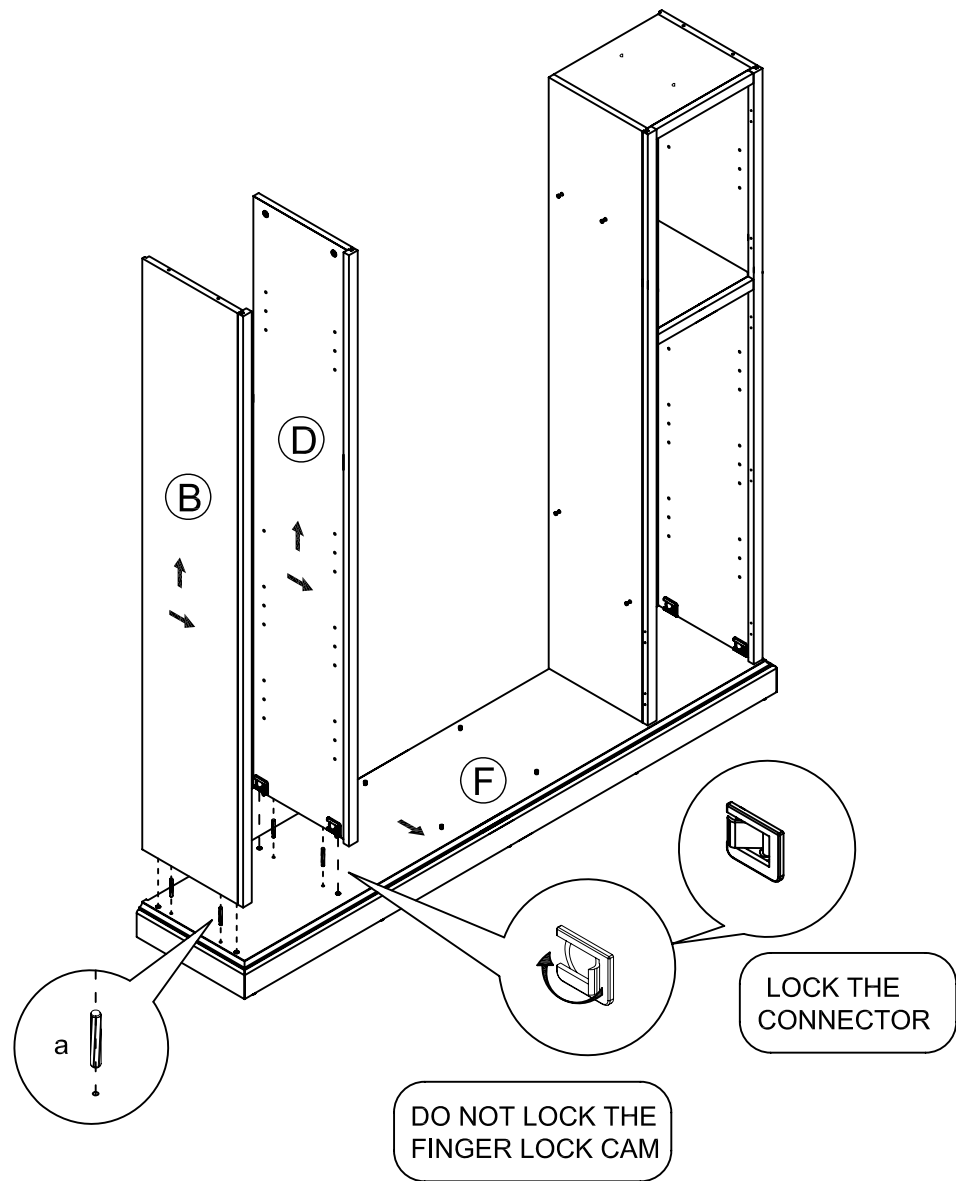
- JOIN THE THE RIGHT SIDE TOP FIXED PANEL (H) TO THE ASSEMBLED PART FIRST.
- TIGHTEN THE RIGHT SIDE TOP FIXED PANEL (H) BY LOCKING THE CONNECTOR AS SHOWN.
- JOIN THE RIGHT SIDE BOTTOM FIXED PANEL (N) TO THE ASSEMBLED PART BY THE CONNECTOR AS SHOWN.

FIG 5



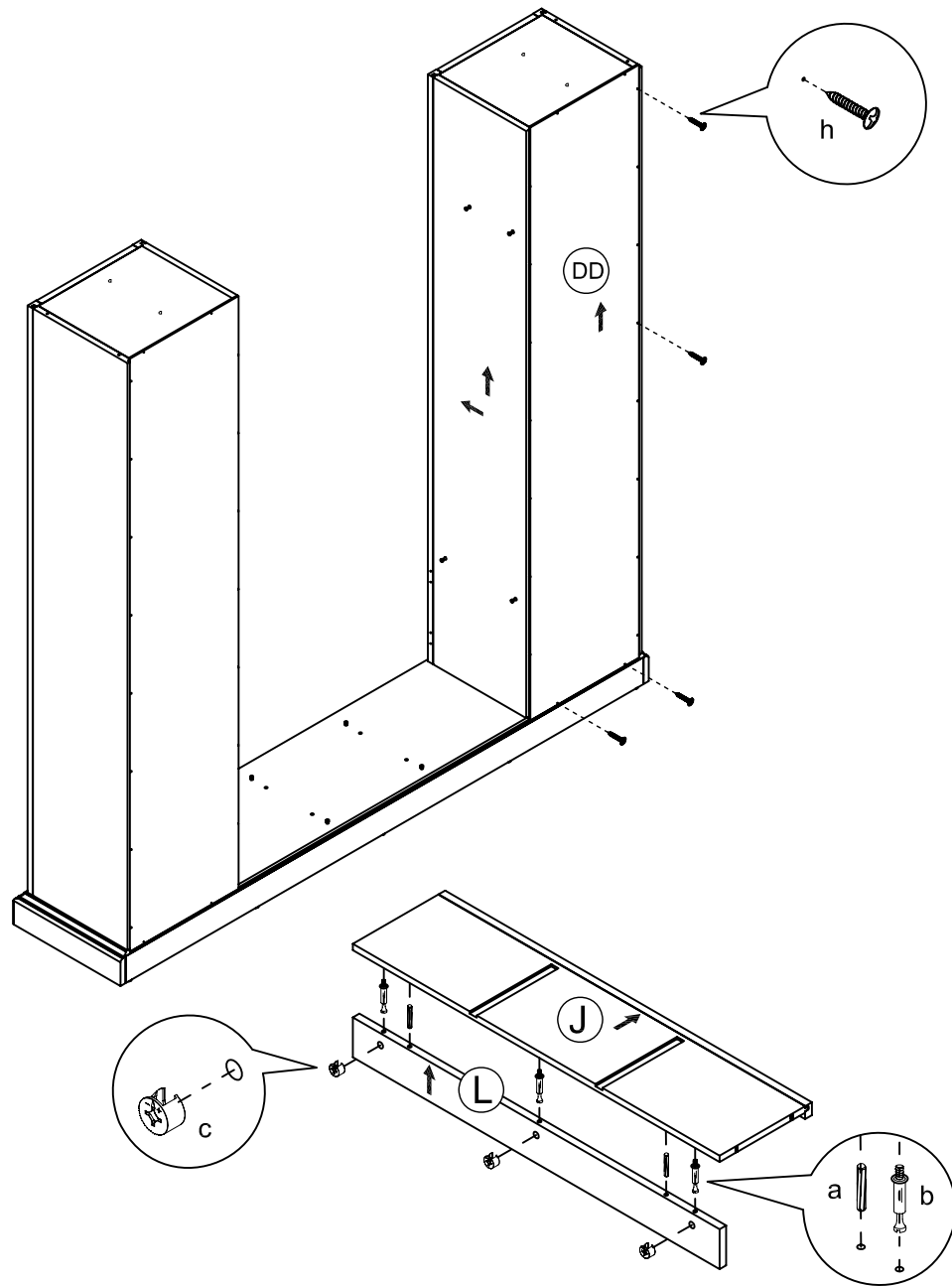
- TIGHTEN THE SIDE BACK PANEL (DD) BY USING FOUR 5/8"L ROUND HEAD SCREWS (h) FIRST AS SHOWN.

FIG 6



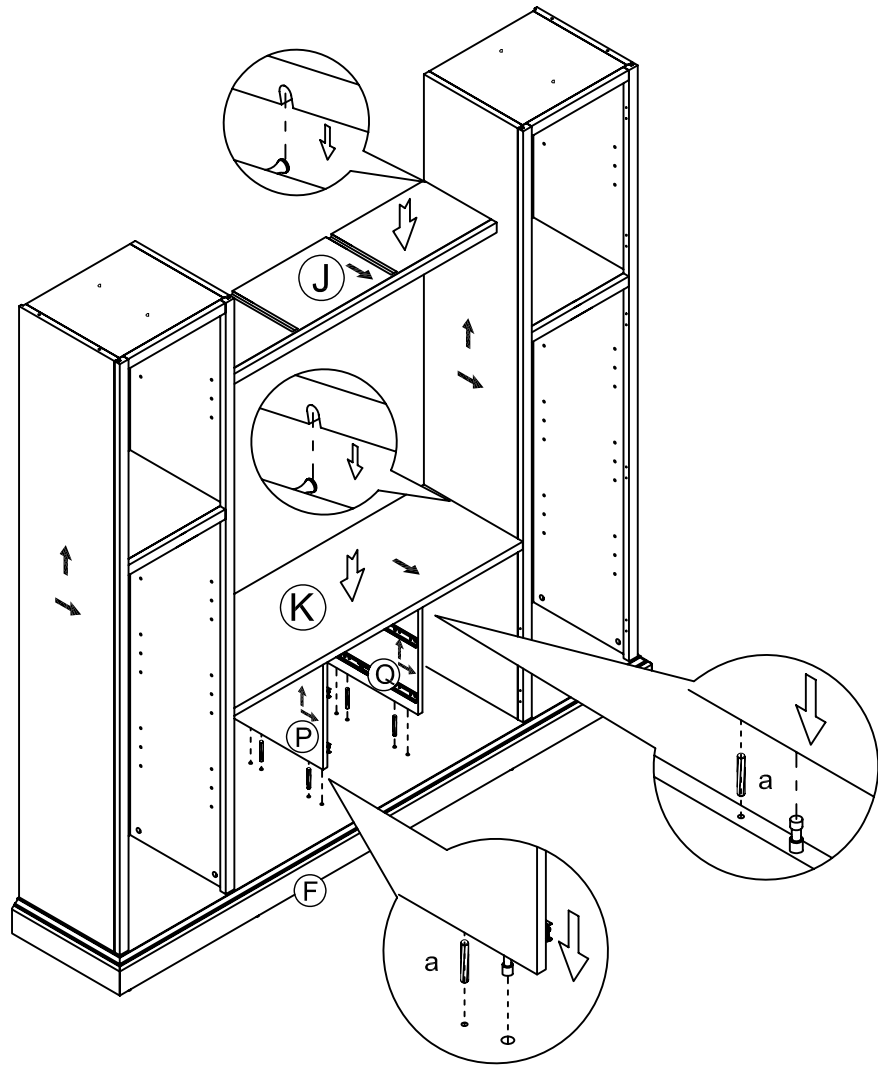
- JOIN THE LEFT BASE LEFT SIDE PANEL (B) AND THE LEFT BASE RIGHT SIDE PANEL (D) TO THE BOTTOM PANEL (F) BY USING THE WOOD DOWEL (a) FIRST.
- TIGHTEN THE LEFT BASE LEFT SIDE PANEL (B) AND THE LEFT BASE RIGHT SIDE PANEL (D) TO THE BOTTOM PANEL (F) BY LOCKING THE CONNECTOR AS SHOWN.

FIG 8



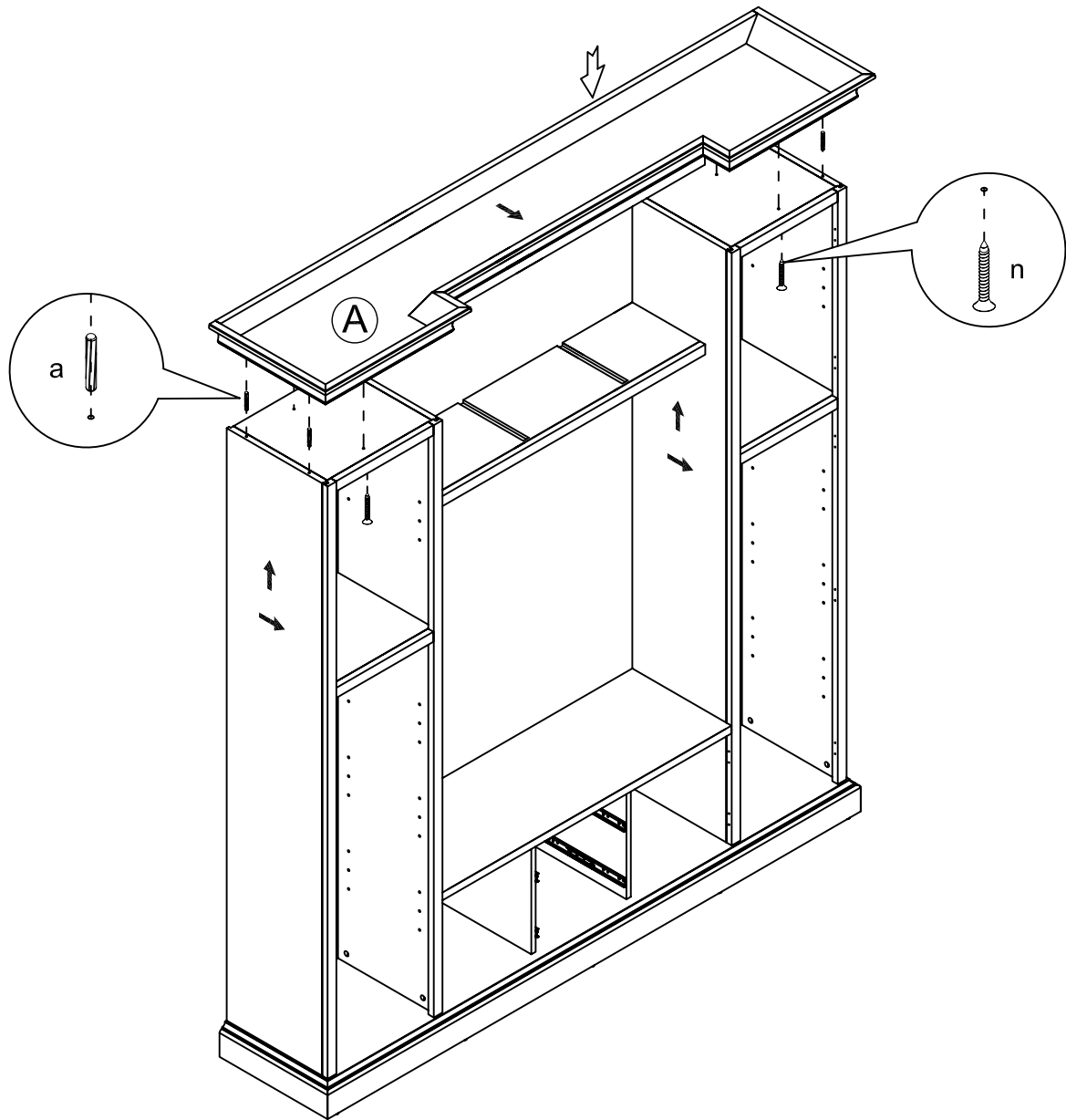
- TIGHTEN THE SIDE BACK PANEL (DD) BY USING FOUR 5/8" L ROUND HEAD SCREWS (h) FIRST AS SHOWN.
- INSTALL THE WOOD DOWEL (a) AND THE CAM LOCK BOLT (b) INTO THE UP FIXED PANEL (J).
- JOIN THE BACK CROSS BRACE (L) TO THE UP FIXED PANEL (J) BY USING THE WOOD DOWEL (a) FIRST.
- TIGHTEN CAM LOCK BOLT (b) WITH THE CAM LOCK (c) IN THE PRE-DRILLED HOLES.

FIG 9



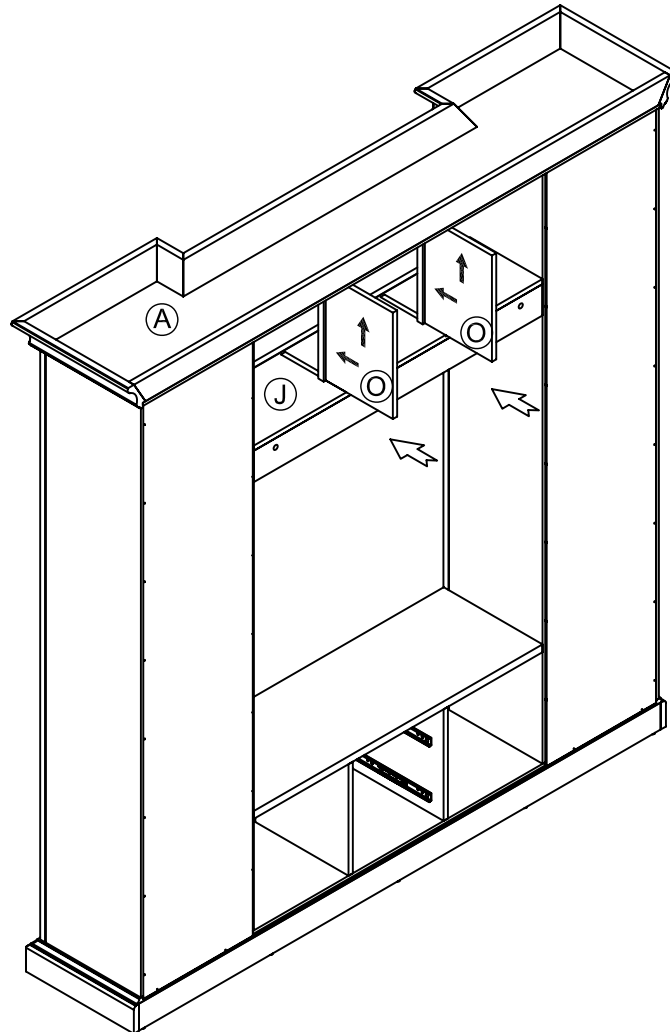
- INSTALL THE WOOD DOWEL (a) INTO THE DOWN LEFT PARTITION (P) AND THE DOWN RIGHT PARTITION (Q).
- JOIN THE DOWN LEFT PARTITION (P) AND THE DOWN RIGHT PARTITION (Q) TO THE BOTTOM PANEL (F) BY USING THE WOOD DOWEL (a) AND THE CONNECTOR AS SHOWN.
- JOIN THE UP FIXED PANEL (J) AND THE DOWN FIXED PANEL (K) TO THE ASSEMBLED PART BY THE CONNECTOR .

FIG 10



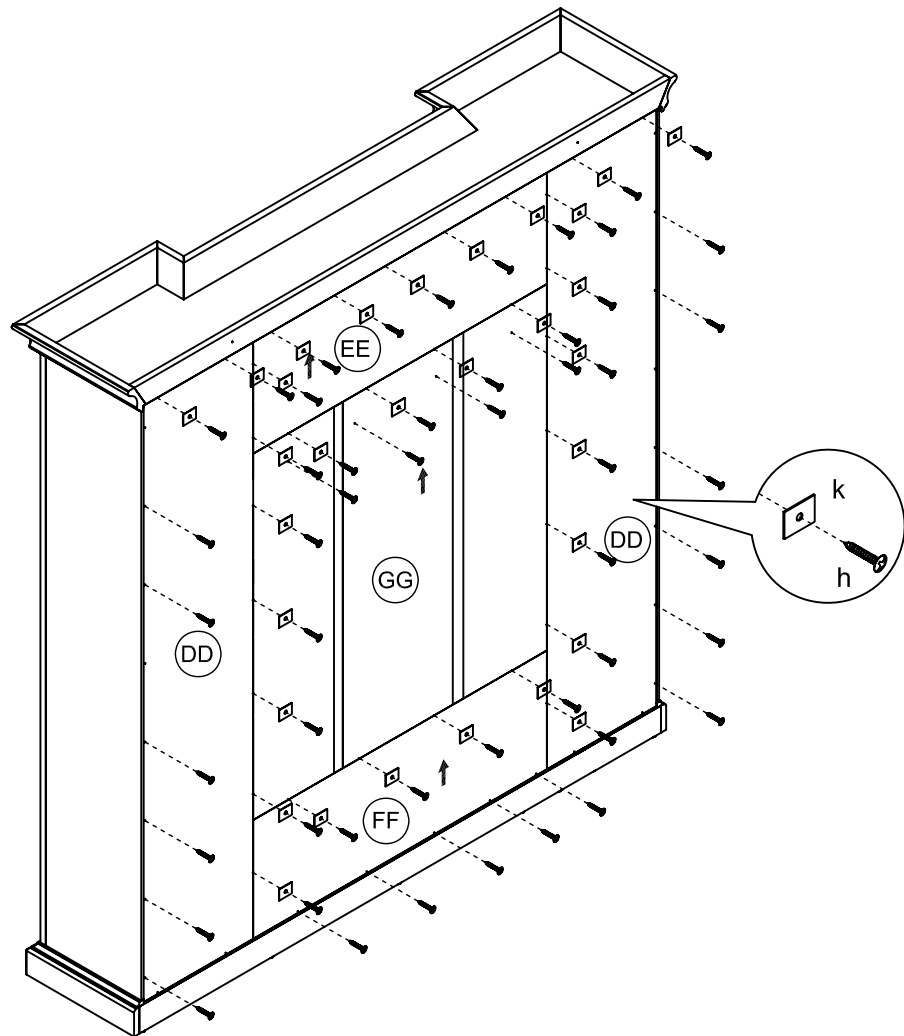
- JOIN THE TOP PANEL (A) TO THE ASSEMBLED PART BY USING THE WOOD DOWEL (a) FIRST.
- TIGHTEN THE TOP PANEL (A) BY USING THE 1" L FLAT HEAD SCREW (n) AS SHOWN.

FIG 11



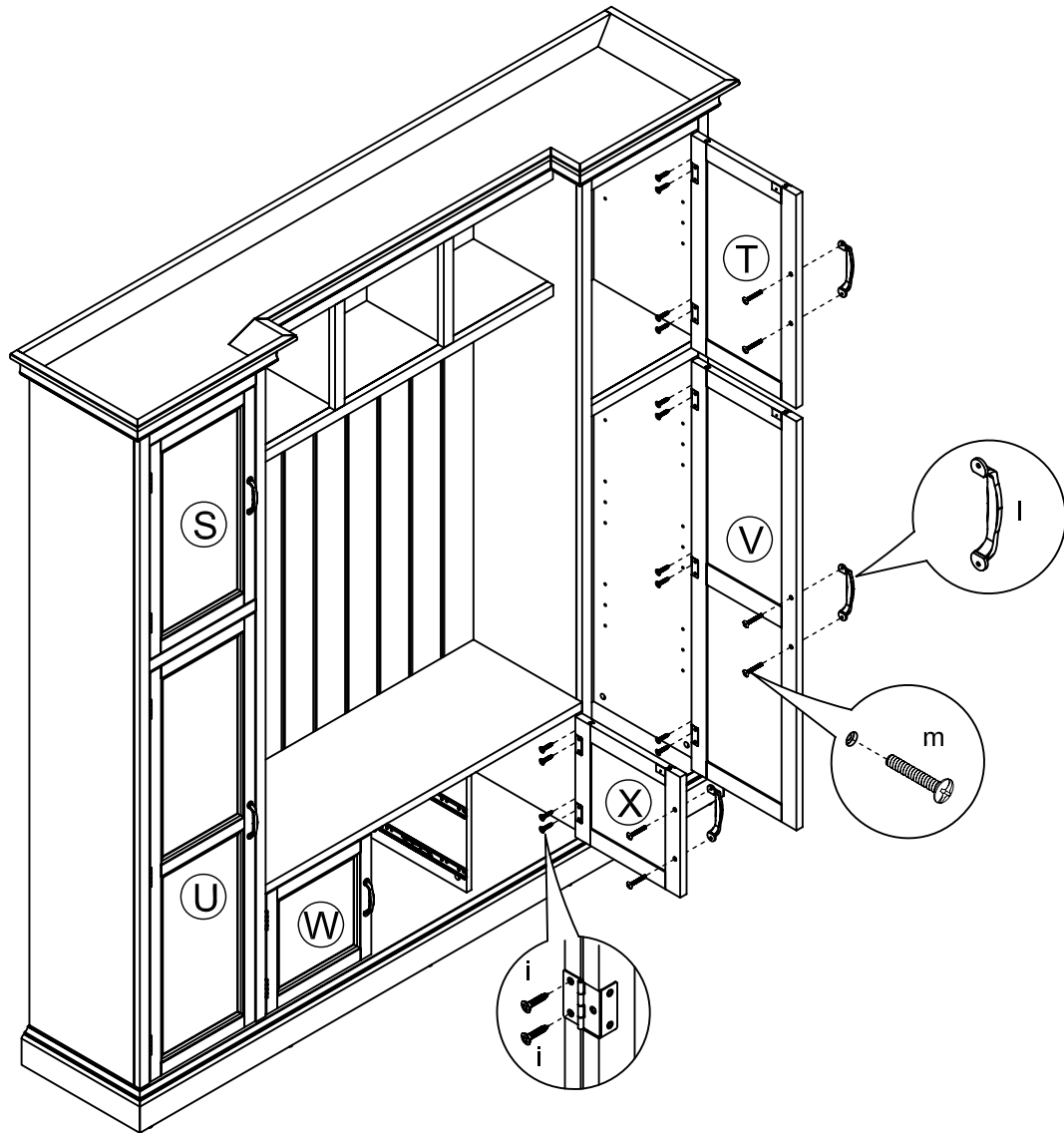
- SLIDE THE UP PARTITION (O) INTO THE GROOVES ON THE TOP PANEL (A) AND THE UP FIXED PANEL (J) AS SHOWN.

FIG 12



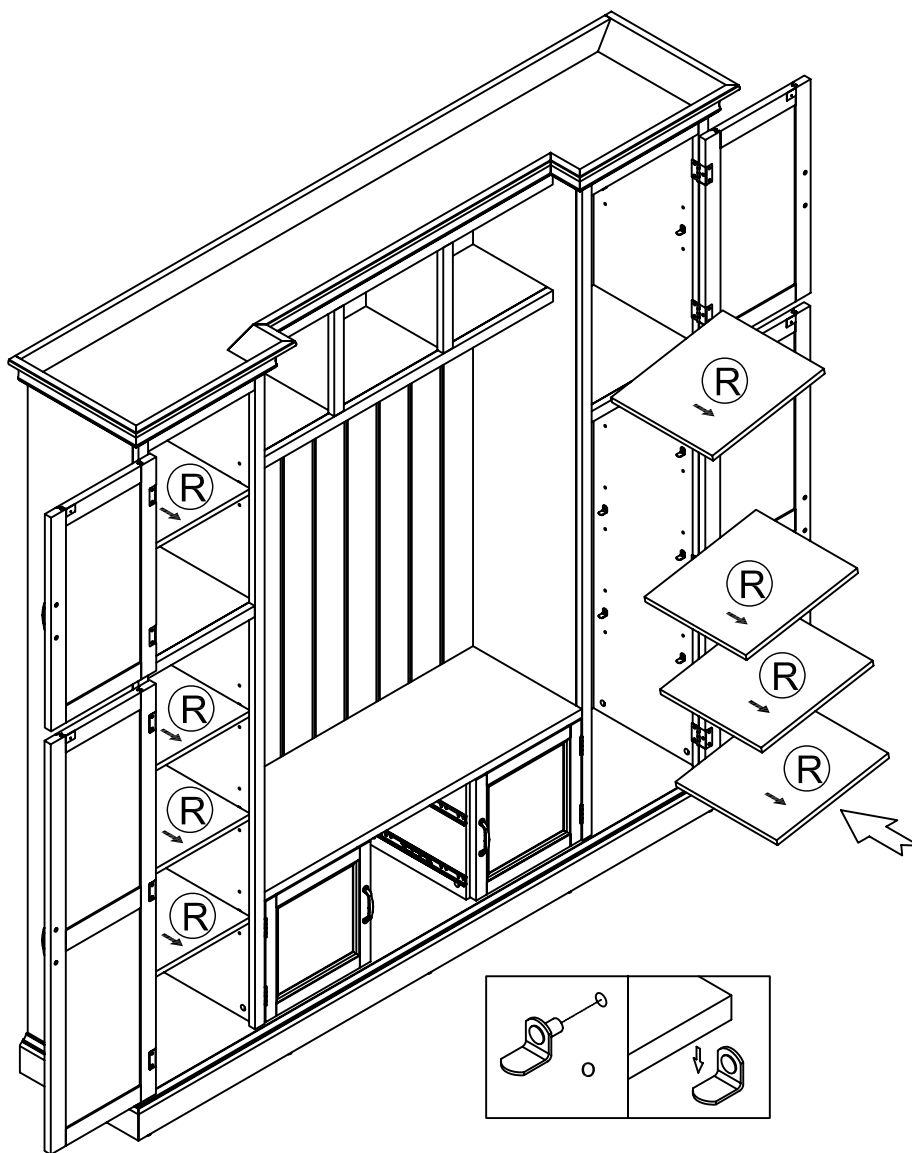
- TIGHTEN THE SIDE BACK PANEL (DD), THE DOWN BACK PANEL (FF), THE MIDDLE BACK PANEL (GG) AND THE UP BACK PANEL (EE) BY USING THE 5/8" L ROUND HEAD SCREW (h) AND THE METAL PLATE (k) AS SHOWN.

FIG 13



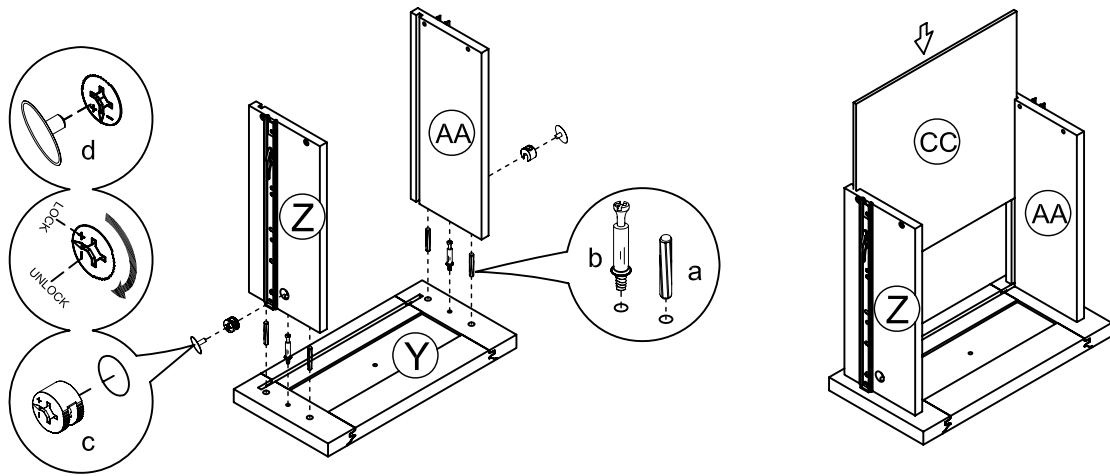
- ATTACH THE UP LEFT SIDE DOOR (S), THE UP RIGHT SIDE DOOR (T), THE DOWN LEFT SIDE DOOR (U), THE DOWN RIGHT SIDE DOOR (V), THE LEFT SIDE MIDDLE DOOR (W) AND THE RIGHT SIDE MIDDLE DOOR (X) TO THE ASSEMBLED PART BY USING THE 1/2"L FLAT HEAD SCREW (i).
- TIGHTEN THE HANDLE (l) ONTO THE DOORS BY USING THE HANDLE BOLT (m).

FIG 14

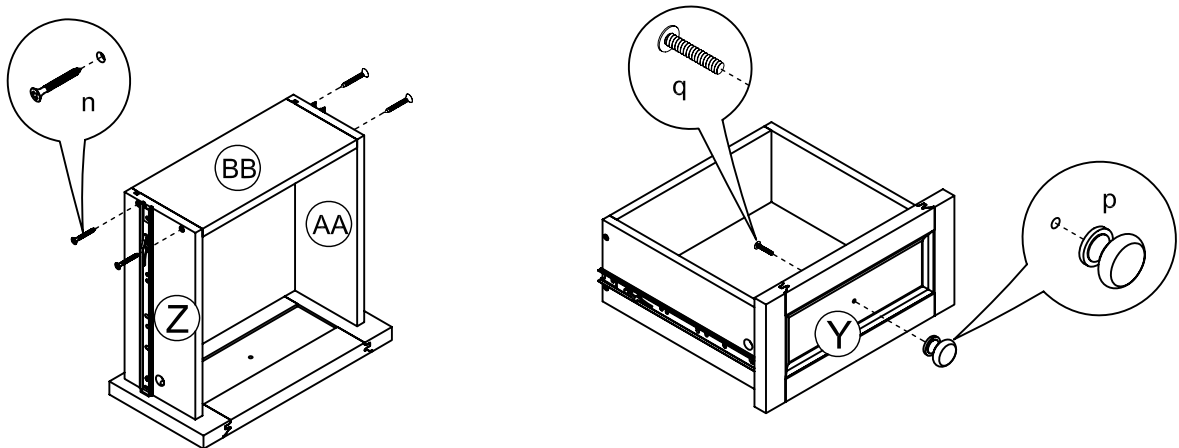


- INSERT THE SHELF PIN (o) IN THE DESIRED POSITION AND THEN PLACE THE ADJUSTABLE SHELF (R) ON THE PINS.

FIG 15

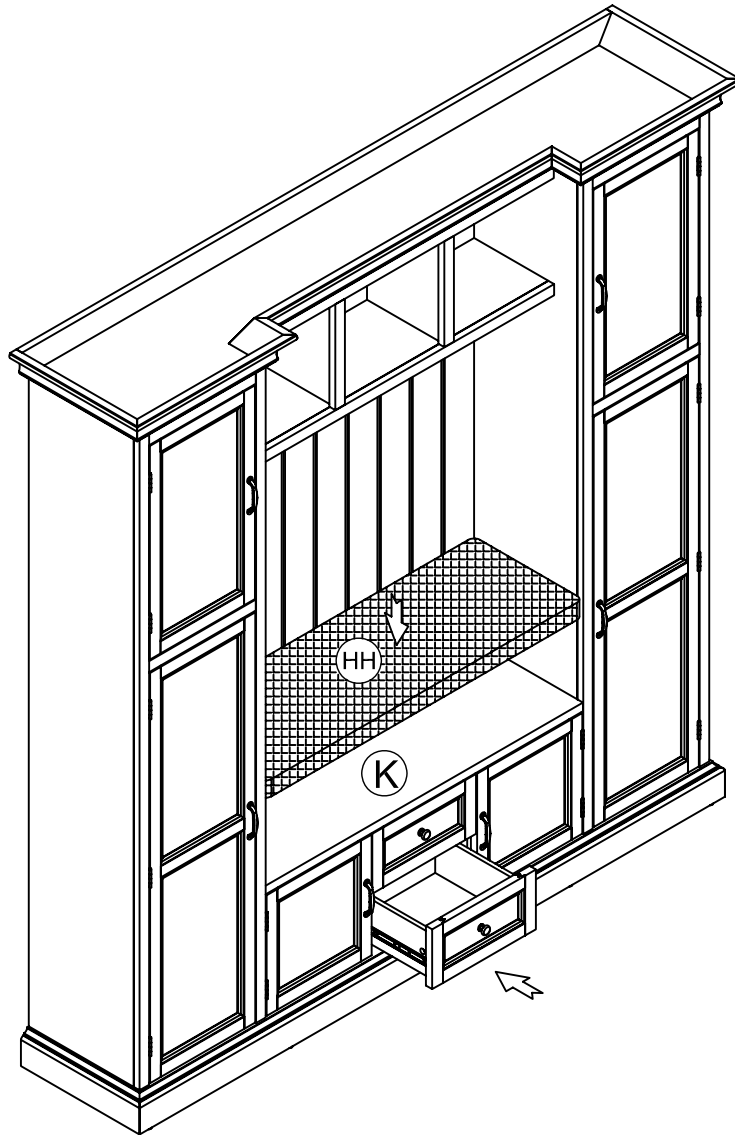


2x



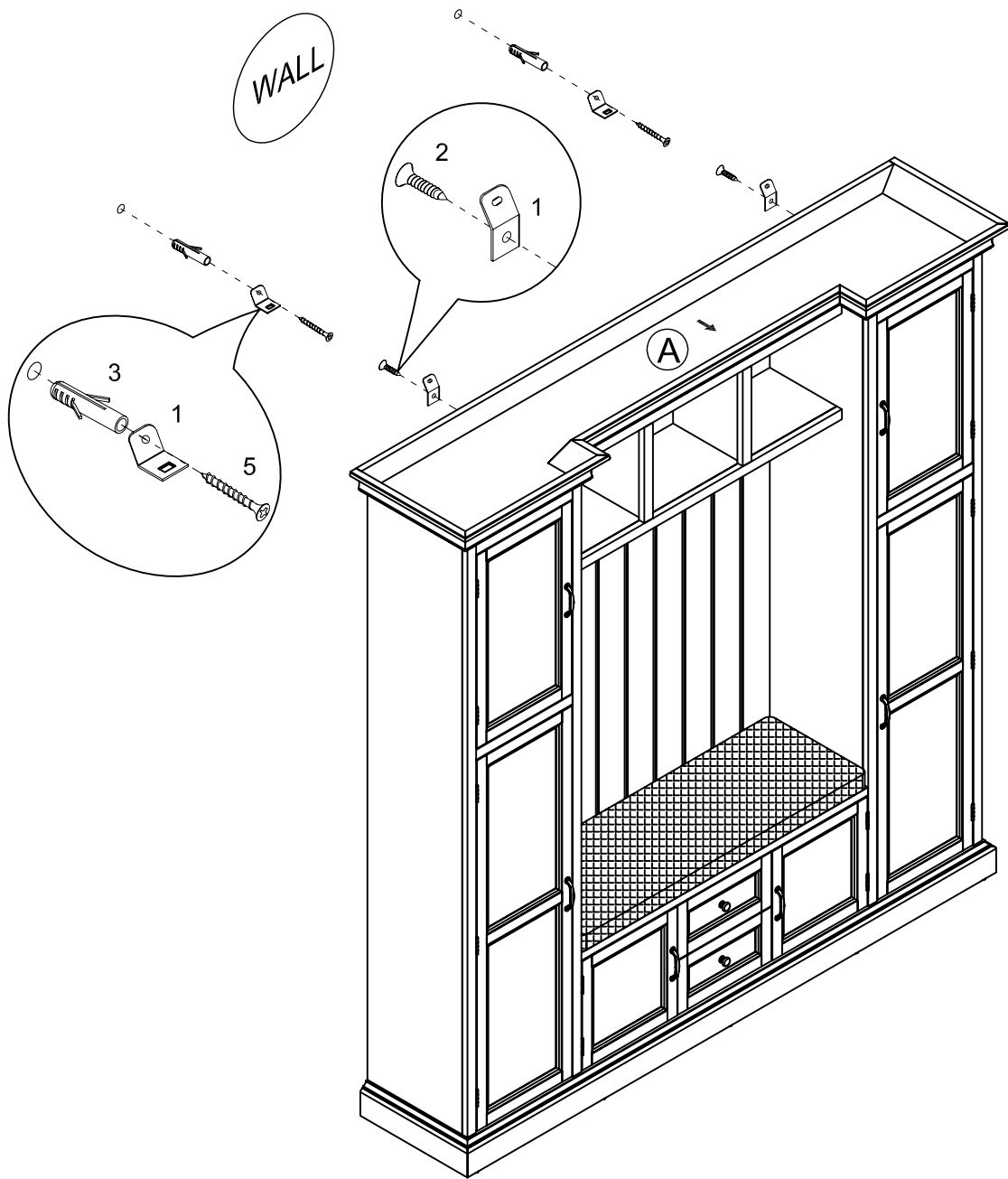
- INSTALL THE WOOD DOWEL (a) AND THE CAM LOCK BOLT (b) INTO THE DRAWER FRONT PANEL (Y).
- JOIN THE DRAWER LEFT SIDE PANEL (Z) AND THE DRAWER RIGHT SIDE PANEL (AA) TO THE DRAWER FRONT PANEL (Y).
- ONCE JOINED, TIGHTEN CAM LOCK (c) ONTO THE CAM LOCK BOLT (b) USING PRE-DRILLED HOLES.
- COVER CAM HOLES WITH THE PLASTIC COVER (d).
- SLIDE THE DRAWER BOTTOM PANEL (CC) INTO THE GROOVES ON THE DRAWER LEFT SIDE PANEL (Z) AND THE DRAWER RIGHT SIDE PANEL (AA).
- JOIN THE DRAWER BACK PANEL (BB) TO THE ASSEMBLED DRAWER PART AND TIGHTEN THE DRAWER BACK PANEL (BB) BY USING THE 1" L FLAT HEAD SCREW (n) THROUGH PRE-DRILLED HOLES ON DRAWER SIDE PANELS.
- TIGHTEN THE KNOB (p) TO THE DRAWER FRONT PANEL (Y) BY USING THE KNOB BOLT (q).

FIG 16



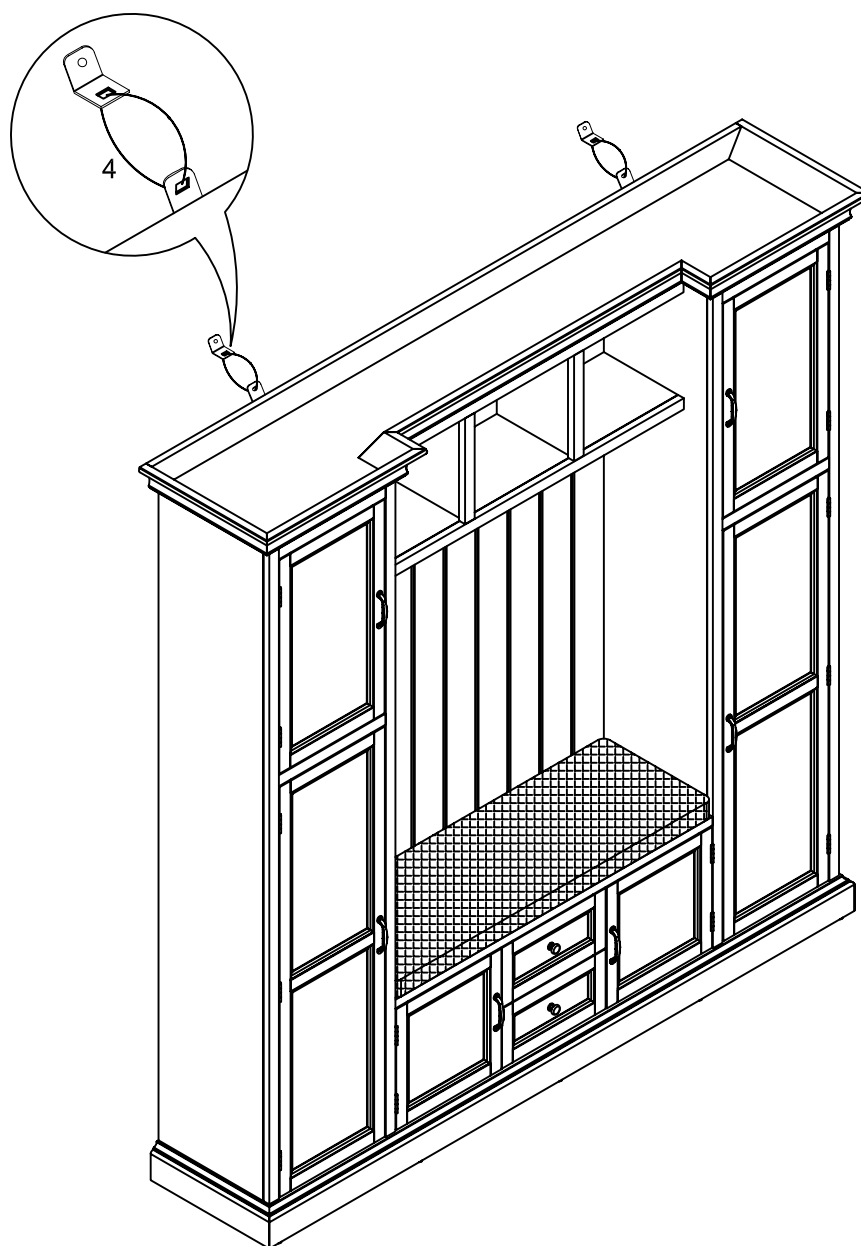
- INSERT DRAWERS INTO THE ASSEMBLED PART.
- PLACE THE CUSHION (HH) ABOVE THE DOWN FIXED PANEL (K).

FIG 17



- TIGHTEN THE RECTANGLE METAL PLATE (1) TO THE REAR OF THE TOP PANEL (A) BY USING 1/2" FLAT HEAD SCREW (2).
- PLACE THE ASSEMBLED MUDROOM AT THE DESIRED POSITION. MARK THE INSERTION POINTS FOR THE PLASTIC ANCHOR (3).
- USING THE PROPER HARDWARE FOR YOUR WALL TYPE, DRILL 1/4" HOLES INTO THE WALL.
- TIGHTEN THE RECTANGLE METAL PLATE (1) TO THE PLASTIC ANCHOR (3) BY USING THE 1-1/2" FLAT HEAD SCREW (5).

FIG 18



- USING THE PLASTIC BAND (4) CONNECT TWO RECTANGLE METAL PLATES (1).