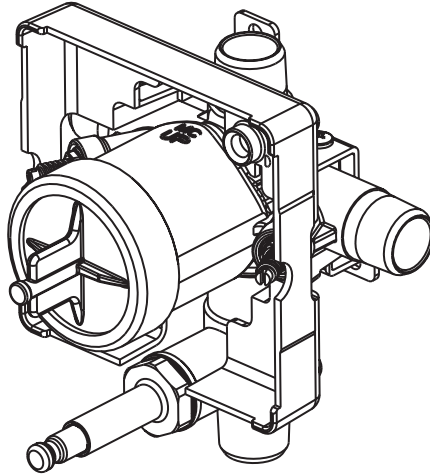


MultiChoice® Universal Rough Valve Body For Push Button Diverter

HDF®
COMMERCIAL



R10300-UNWS



■ R10300-UNWS

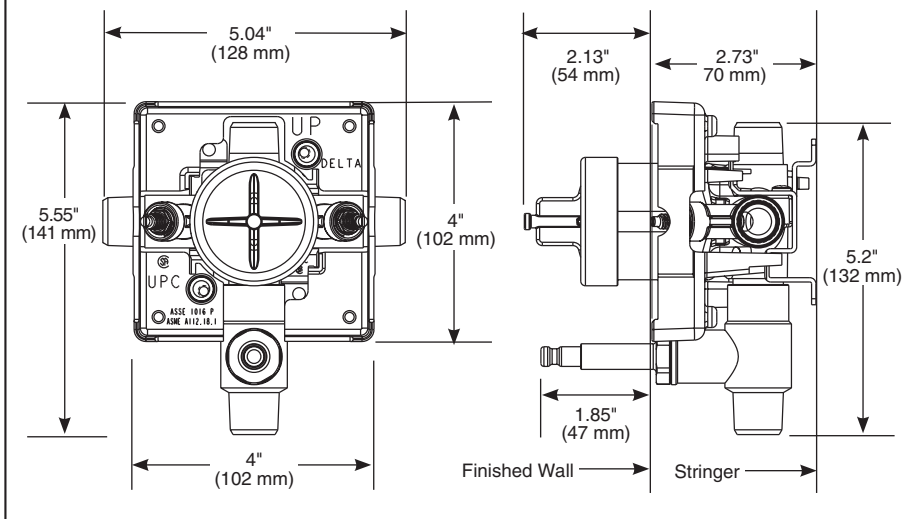
STANDARD SPECIFICATIONS:

- Forged brass body.
- Back-to-Back installation capabilities.
- Can be tested with air (200 PSI) or water (300 PSI) without valve using supplied test cap.
- Square plasterguard allows for right angle cuts.
- For use with MultiChoice® Universal single or dual function trim with push button diverter. Cartridge ships with trim.

Submitted Model No.: _____

Specific Features: _____

R10300-UNWS



COMPLIES WITH:

- ASME A112.18.1 / CSA B125.1

Delta reserves the right (1) to make changes in specifications and materials, and (2) to change or discontinue models, both without notice or obligation. Dimensions are for reference only. See current full-line price book or www.specselect.com for finish options and product availability.