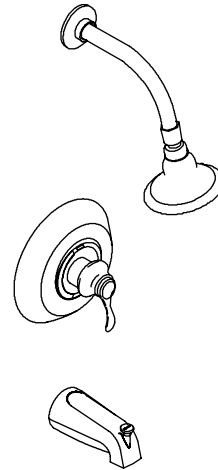


Features

- Metal construction
- Brass valve body
- Rite-Temp® pressure-balancing diaphragm design
- High-temperature limit setting for added safety
- Pressure-balancing mechanism of one-piece diaphragm cartridge design for ease of maintenance
- Mixing valve cycles from "cold" to "hot"
- Lever handle
- Intended for use with Rite-Temp® or HiFlow Rite-Temp® valves

BATH AND SHOWER FAUCETS K-12007 ALSO K-T12007, K-12014, K-T12014



Codes/Standards Applicable

Specified model meets or exceeds the following:

- ASME A112.18.1/CSA B125.1
- ASSE 1016

Colors/Finishes

- CP: Polished Chrome
- PB: Polished Brass
- Other: Refer to Price Book for additional colors/finishes



Specified Model


COMPLETE FAUCET: Faucet trim and Rite-Temp valve included.				
Model	Description	Colors/Finishes		
K-12007-4S	Bath and shower faucet, with slip-fit diverter bath spout	<input type="checkbox"/> CP	<input type="checkbox"/> PB	<input type="checkbox"/> Other___
K-12014-4	Shower faucet	<input type="checkbox"/> CP	<input type="checkbox"/> PB	<input type="checkbox"/> Other___
SEPARATE TRIM AND RITE-TEMP VALVE: For complete faucet, both faucet trim and Rite-Temp valve must be specified.				
Model	Description	Colors/Finishes		
K-T12007-4	Bath and shower faucet trim, with NPT diverter bath spout	<input type="checkbox"/> CP	<input type="checkbox"/> PB	<input type="checkbox"/> Other___
K-T12007-4S	Bath and shower faucet trim, with slip-fit diverter bath spout	<input type="checkbox"/> CP	<input type="checkbox"/> PB	<input type="checkbox"/> Other___
K-T12014-4	Shower faucet trim	<input type="checkbox"/> CP	<input type="checkbox"/> PB	<input type="checkbox"/> Other___
K-T12021-4	Valve only trim	<input type="checkbox"/> CP	<input type="checkbox"/> PB	<input type="checkbox"/> Other___

Product Specification

The Rite-Temp pressure-balancing single-control bath and shower faucet shall be made of metal construction with a brass valve body. The valve shall mix the water from "cold" to the "hot", and includes a high-temperature limit setting for added safety. The pressure-balancing mechanism shall be of one-piece diaphragm cartridge design for ease of maintenance. Product shall include showerhead with arm and flange, faceplate with handle, and 4-7/8" (12.4cm) diverter spout with NPT or slip-fit connection. Shower only faucet shall include showerhead with arm and flange, and faceplate with handle. Valve only trim shall include faceplate with handle. Complete faucet shall be Kohler Model K-____-____-____ OR separate trim and valve shall be Kohler Model K-T____-____-____ with K-304-____-NA Rite-Temp valve OR K-2971-KS-NA HiFlow Rite-Temp valve.

FAIRFAX®

Required Accessories (For K-T12007, K-T12014, and K-T12021 Only)			
K-304-*	Rite-Temp® valve OR	<input type="checkbox"/> NA	
K-2971-KS	HiFlow Rite-Temp valve with stops		<input type="checkbox"/> NA
* For a complete listing of all the Rite-Temp valves, refer to the K-304-* Specification Sheet or Roughing-In sheet.			

Optional Accessories					
K-12002	Plug Button Set	<input type="checkbox"/> Other ____			
88526	HiFlow Rite-Temp Thin Wall Installation Kit		<input type="checkbox"/> CP	<input type="checkbox"/> PB	<input type="checkbox"/> Other ____

Installation Notes

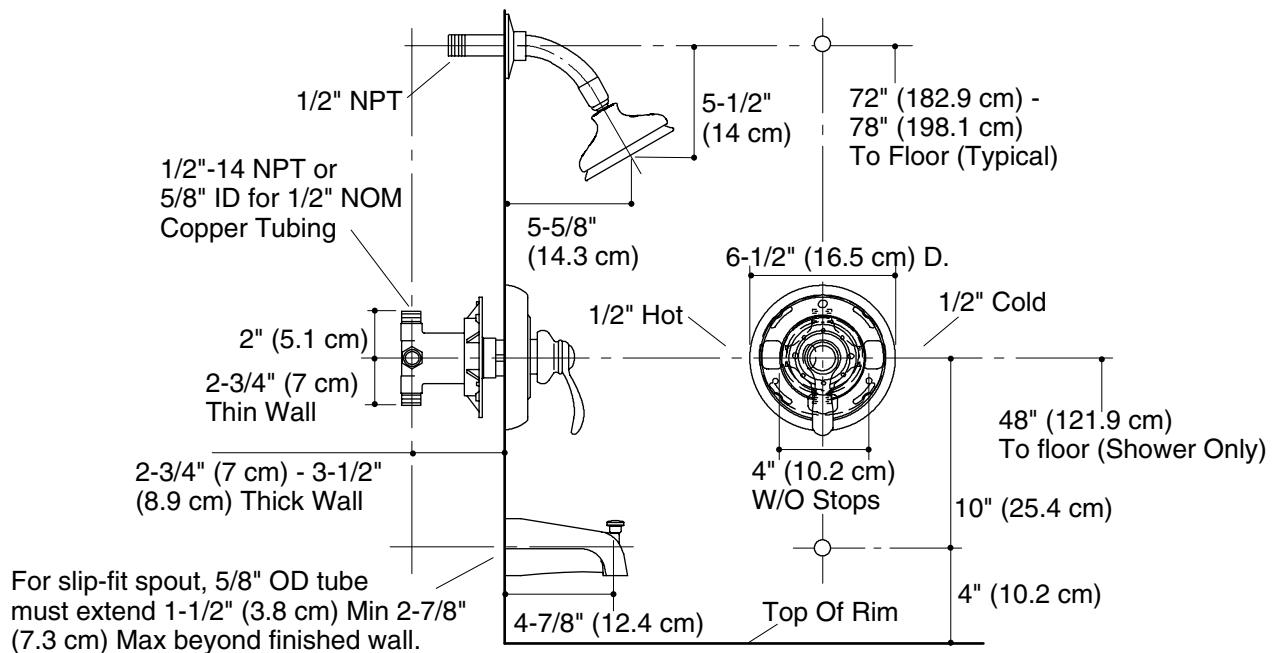
Install this product according to the installation guide.

NOTICE: Risk of product damage. Long screws, for installing trim, can damage the K-2971-KS valve. Consult the trim installation guide to verify if the thin wall installation kit (88526) is needed.

Avoid cross-flow conditions. Do not install shut-off device on either valve outlet.

Cap shower outlet if deck-mount spout, diverter, or handshower is connected to spout outlet.

Install straight pipe or tube drop of 7" (17.8cm) to 18" (45.7cm) with single elbow between valve and wall-mount spout.



Product Diagram