

### Features

- Metal construction.
- One-piece, self-contained ceramic disc valve allows both volume and temperature control.
- Temperature memory allows faucet to be turned on and off at any temperature setting.
- High-temperature limit setting for added safety.
- 10" (254 mm) swing spout reach.
- Flexible supplies.
- Matching finish sidespray.
- Lower flow aerator options are available (refer to the Kohler Price Book).
- 2.2 gal/min (8.3 l/min) maximum flow rate [max at 60 psi (4.14 bar)].



For complete listing of available colors, go to [kohler.com](http://kohler.com).

ADA

CSA B651

OBC

### Codes/Standards

ASME A112.18.1/CSA B125.1

NSF 61

NSF 372

ADA

ICC/ANSI A117.1

DOE - Energy Policy Act 1992

CSA B651

OBC

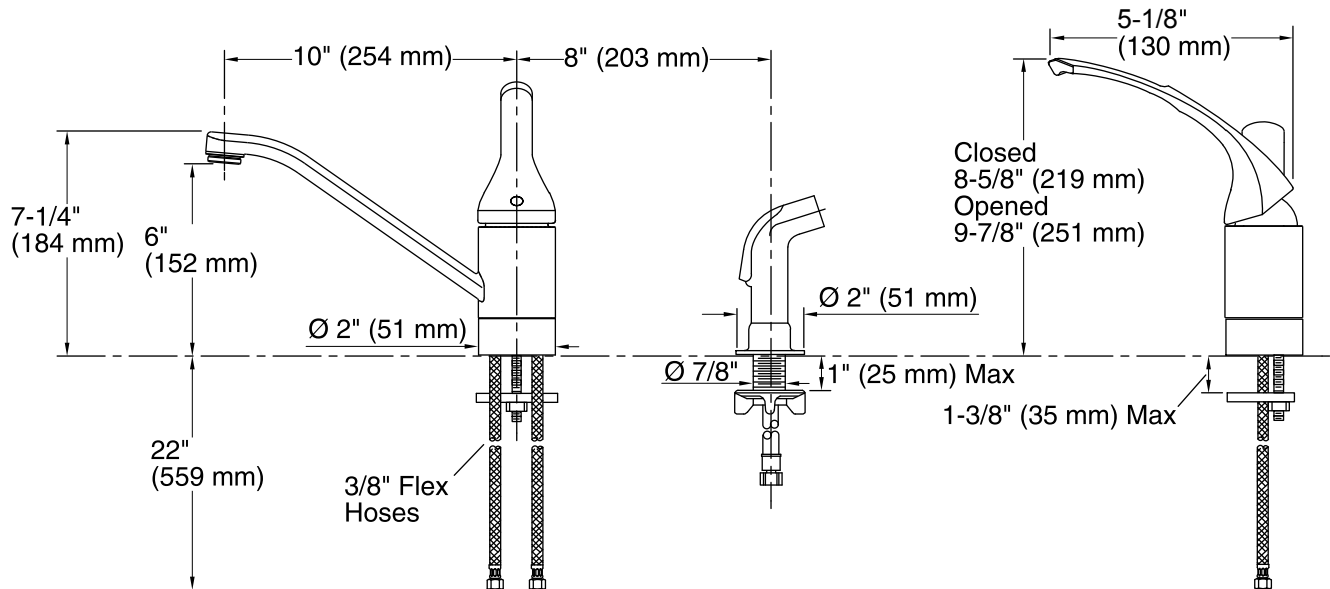
All applicable US Federal and State material regulations

### KOHLER® Faucet Lifetime Limited Warranty

See website for detailed warranty information.

### Product Specification

Kitchen sink faucet shall be 10" (254 mm) swing spout reach and 6-1/4" (159 mm) spout outlet height. Kitchen sink faucet shall be metal construction. Kitchen sink faucet shall be loop handle. Kitchen sink faucet shall include sidespray. Kitchen sink faucet shall be KOHLER Model K-15176-FL.



### Technical Information

All measurements are nominal.

Spout reach: 10" (254 mm)

**Faucet:**  
Flow rate: 2.2 gal/min (8.3 l/min)  
Pressure: 60 psi (4.1 bar)

### Installation Notes

Install this product according to the installation guide.

ADA, OBC, CSA B651 compliant when installed to the specific requirements of these regulations.