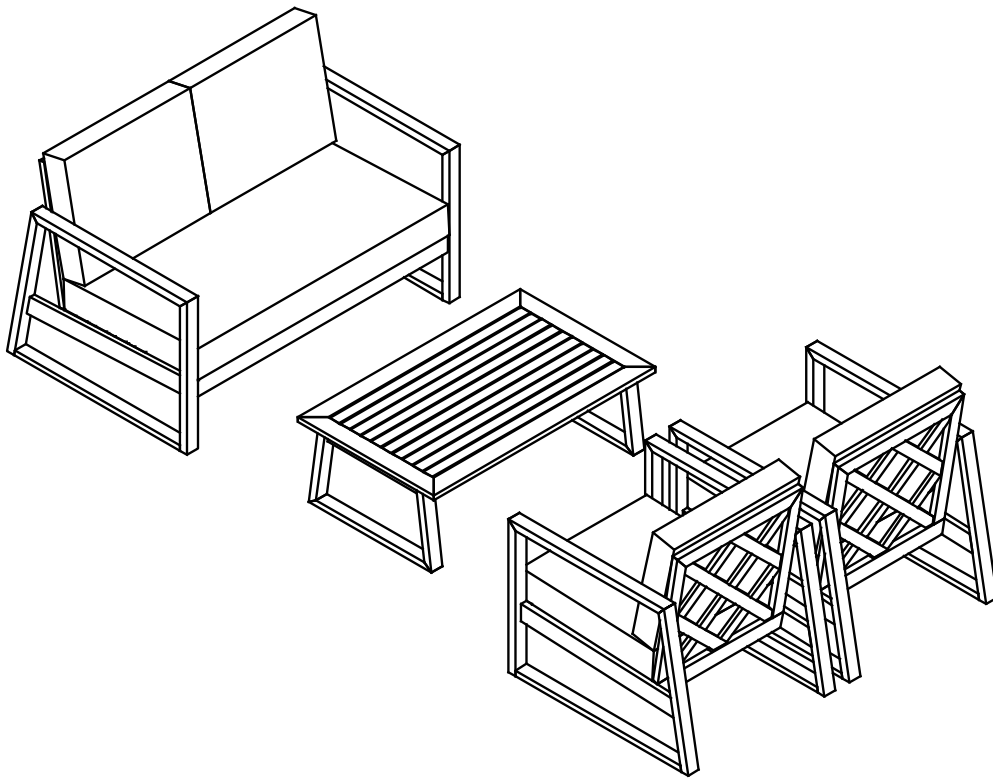


HAMPTON BAY®

USE AND CARE GUIDE

WILLOW GLEN- 4PC CHAT SET – BEIGE



Questions, problems, missing parts? Before returning to the store,
call Hampton Bay Customer Service
8 a.m. – 7 p.m., EST, Monday – Friday, 9 a.m. – 6 p.m., EST, Saturday

1-855-HD-HAMPTON

HAMPTONBAY.COM

THANK YOU

We appreciate the trust and confidence you have placed in Hampton Bay through the purchase of this set. We strive to continually create quality products designed to enhance your home. Visit us online to see our full line of products available for your home improvement needs. Thank you for choosing Hampton Bay!

Table of Contents

Table of Contents.....	2	Assembly (68545.00, Chair).....	5
Important Safety Information.....	2	Assembly (68546.00LS, Loveseat).....	7
Warranty.....	3	Pre- assembly (68546.00CT)	9
What is Covered.....	3	Package Contents (Table)	9
What is Not Covered	3	Assembly (68546.00CT, Table).....	10
Pre-Assembly	3	Assembly (68546.00CT, Table).....	11
Planning Assembly.....	3	Care and Cleaning	12
Hardware Included.....	3	Care and Maintenance	12
Pre-Assembly (68545.00 & 68546.00LS).....	4	Service Parts	13
Package Contents (Chair & Loveseat).....	4	Model Type	13

Important Safety Information

READ ALL INSTRUCTIONS BEFORE USE

To reduce the risk of injury to persons:

1. Close supervision is necessary when this furnishing is used by or near children, or disabled persons, if applicable.
2. Use this furnishing only for its intended use as described in these instructions. Do not use attachments not recommended by the manufacturer.

SET UP YOUR FURNITURE PROPERLY

1. Ensure that all parts are assembled properly and fully tightened as per the instructions.
2. When placing in the desired location, ensure that all legs are resting on the same surface.


EXAMINE YOUR FURNITURE

Examine occasionally to ensure that there are no loose parts. If loose parts are found, they must be re-tightened fully before additional use.

OBERVE WEIGHT LIMITS

The weight limits for the following products are listed below:

- Chair: 300 lbs
- Swivel Chair: 300 lbs
- Loveseat: 500 lbs
- Ottoman: 150 lbs
- Table: 50 lbs
- Sofa: 700 lbs
- Rocking Chair: 300 lbs
- Chaise Lounge: 300 lbs
- Dining Table: 100 lbs
- Dining Chair: 200 lbs



CAUTION: If you overload your furniture, injuries can occur.

Warranty

ONE YEAR FRAME, WEAVE AND FABRIC LIMITED WARRANTY

WHAT IS COVERED

We warrant the frame, weave and fabric to be free of manufacturing defects to the original purchaser for one year. For glass table top we warrant 30 days from the date of purchase.

WHAT IS NOT COVERED

This warranty does not cover commercial use, hardware, acts of nature, fire, freezing and abusive use. In addition, purchased parts are not covered under this warranty.

We reserve the right to make substitutions with similar merchandise, if the model in question is no longer in production.

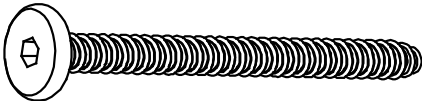
Contact the Customer Service Team at 1-855-HD-HAMPTON or visit [www. Hamptonbay.com](http://www.Hamptonbay.com).

Pre-Assembly

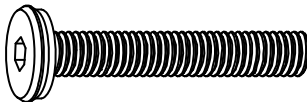
PLANNING ASSEMBLY

To prevent damage, place all parts on a soft surface during assembly. Remove all protective caps before beginning assembly.

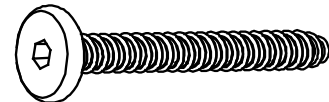
HARDWARE INCLUDED



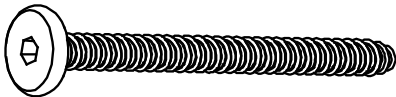
AA



BB



CC



DD

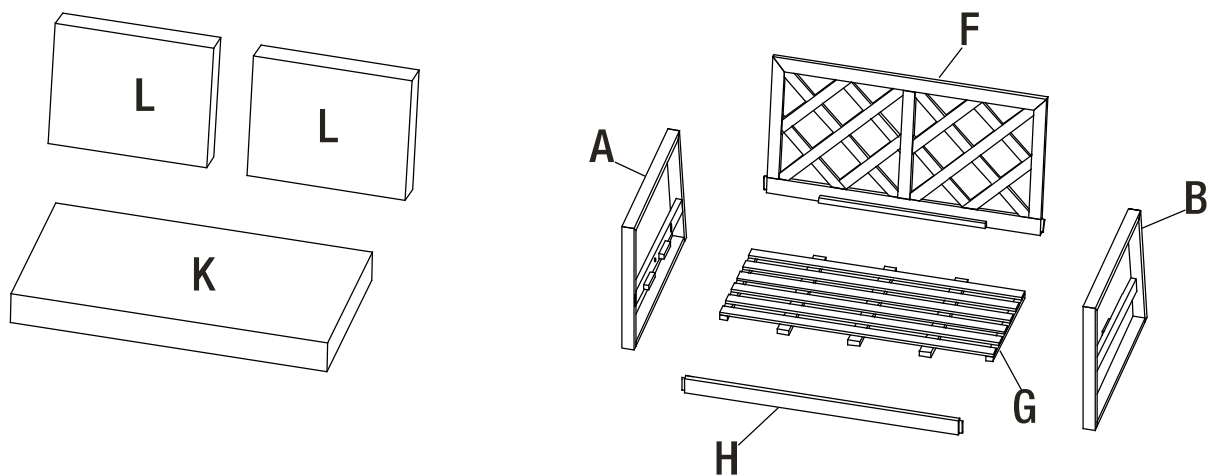
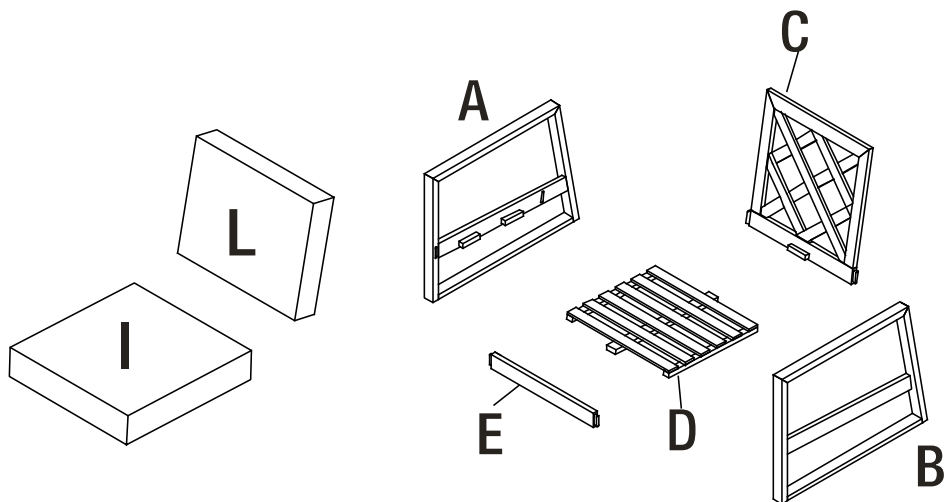


EE

Part	Description	Quantity
AA	Screw M6x90mm	10+1
BB	Bolt M6x70mm	6+1
CC	Screw M6x45mm	6+1
DD	Screw M6x60mm	14+1
EE	Allen Key K4	1

Pre-Assembly (68545.00 & 68546.00LS)

PACKAGE CONTENTS (Chair & Loveseat)

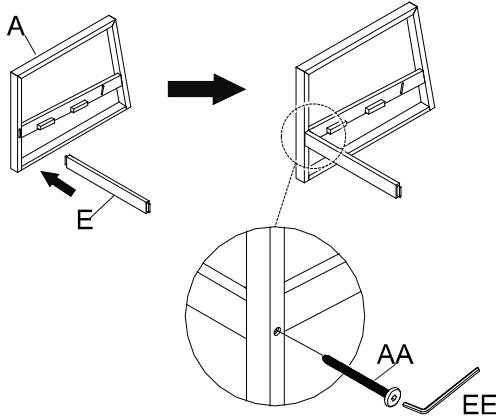


Part	Description	Quantity
A	Right arm	3
B	Left arm	3
C	Chair back	2
D	Chair seat	2
E	Chair support bar	2
F	Loveseat back	1
G	Loveseat seat	1
H	Loveseat support bar	1
I	Chair seat cushion	2
K	Loveseat seat cushion	1
L	Back cushion	4

Assembly (68545.00, Chair)

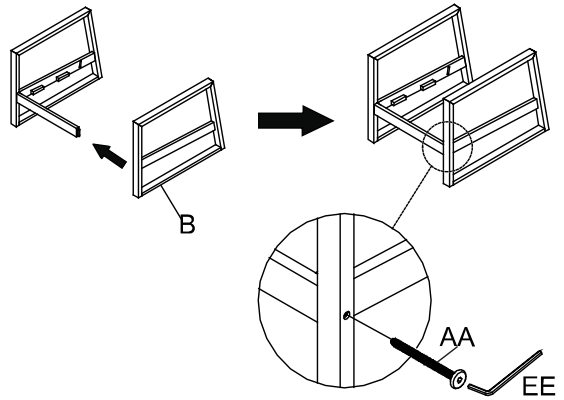
1 Attaching the support bar to the right arm

- Attach the support bar (E) to the right arm (A) using screws (AA). Tighten with the allen key (EE). Do not tighten completely.



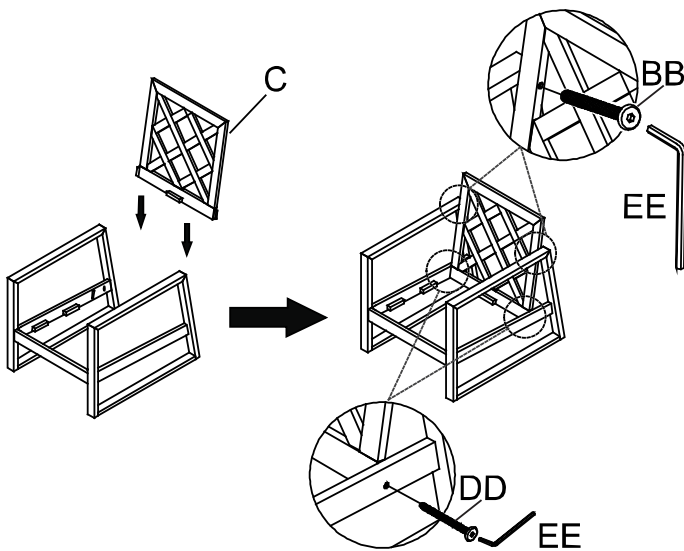
2 Attaching the left arm to the support bar

- Attach the left arm (B) to the support bar (E) using screws (AA). Tighten with the allen key (EE). Do not tighten completely.



3 Attaching the back to chair armrests

- Insert the back (C) into the between gap of the right arm (A) and the left arm (B).
- Secure the right arm (A) and the left arm (B) to the back (C) using bolts (BB) and screws (DD). Tighten with the allen key (EE). Do not tighten completely.

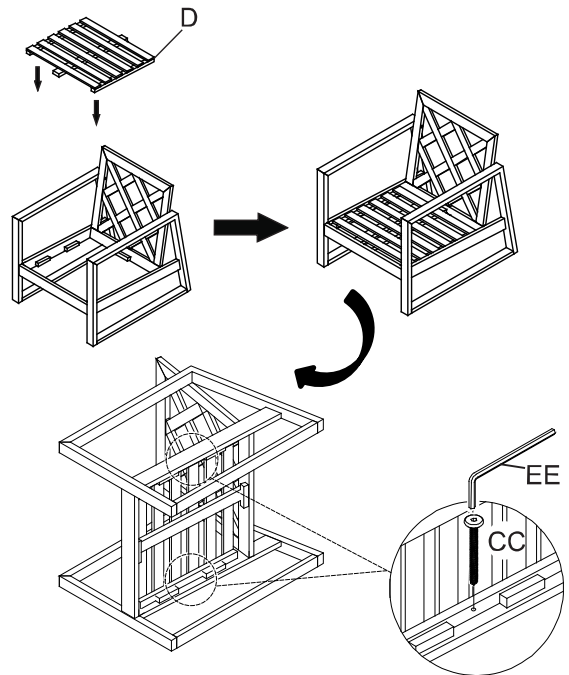


4 Attaching the chair seat on the chair

- Insert the seat (D) onto the chair.
- Attach the seat (D) to the chair using screws (CC). Tighten with the allen key (EE). Do not tighten completely.



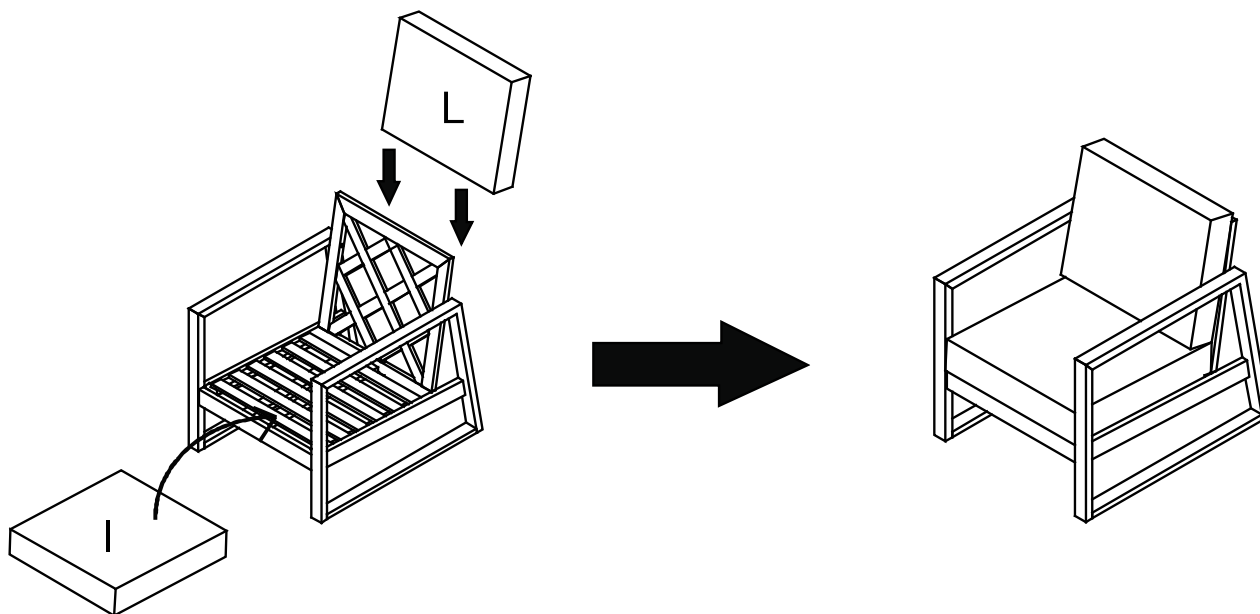
NOTE: Insert the screw (CC) from inside to outside of the seat (D).



Assembly (68545.00, Chair)

5 Completing the assembly

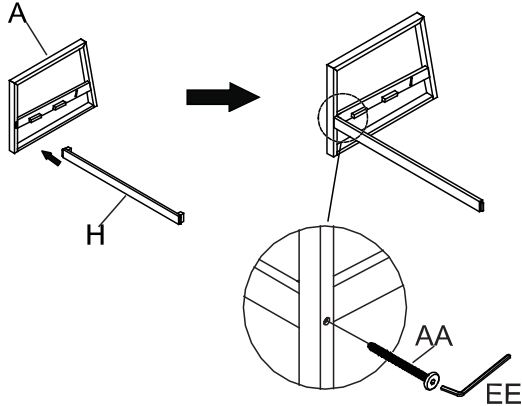
- Turn the chair right side up.
- Place the seat cushion (I) and back cushion (L) on the chair, then tie the velcro around the chair.
- Inspect the chair and make sure all parts are adequately connected.
- Carefully sit onto the chair. This pressure will help align all parts at all joints.
- In a sequential manner, tighten all bolts and screws at all joints.
- This chair is now ready for your enjoyment.



Assembly (68546.00LS, Loveseat)

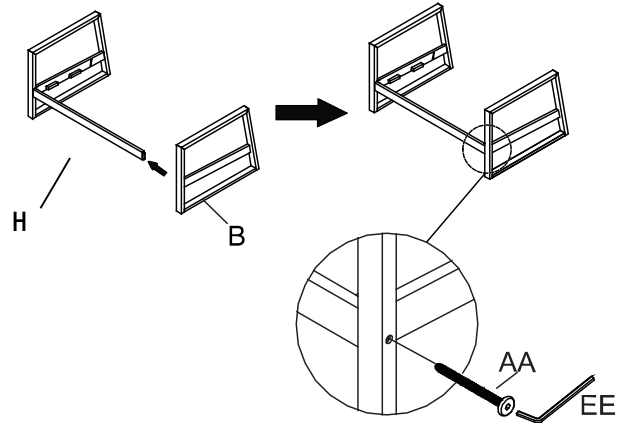
1 Attaching the support bar to the right arm

Attach the support bar (H) to the right arm (A) using screws (AA). Tighten with the allen key (EE). Do not tighten completely.



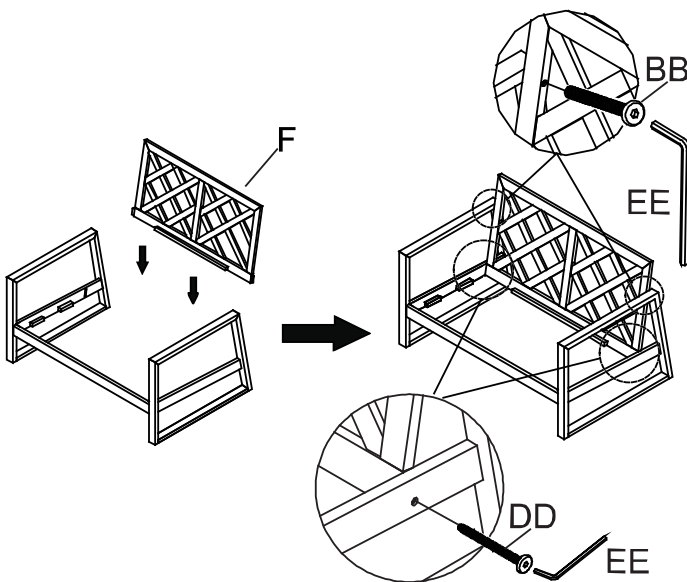
2 Attaching the sofa seat on the support bar

- Attach the left arm (B) to the support bar (H) using screws (AA). Tighten with the allen key (EE). Do not tighten completely.



3 Attaching the back to loveseat armrests

- Insert the back (C) into the between gap of the right arm (A) and the left arm (B).
- Secure the right arm (A) and the left arm (B) to the back (F) using bolts (BB) and screws (DD). Tighten with the allen key (EE). Do not tighten completely.

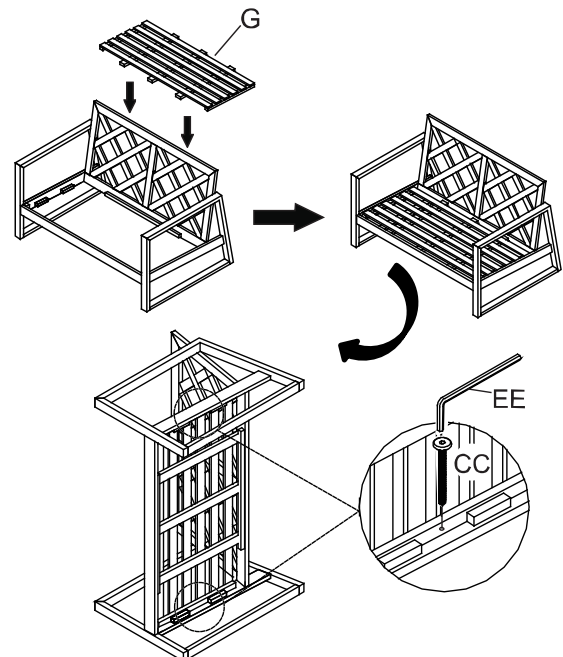


4 Attaching the seat on the loveseat

- Insert the seat (G) onto the loveseat.
- With the help from an adult partner, turn the loveseat on the left side.
- Secure the seat (G) to the loveseat using screws (CC). Tighten with the allen key (EE). Do not tighten completely.



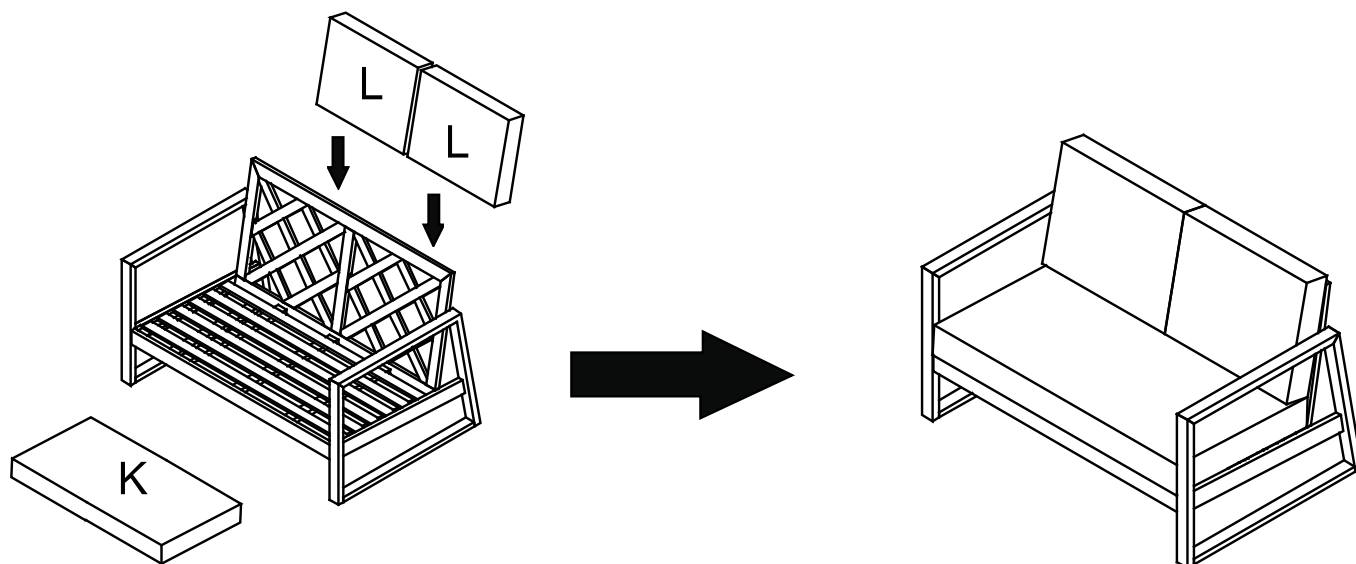
NOTE: Insert the screw (CC) from inside to outside of the seat (D).



Assembly (68546.00LS, Loveseat)

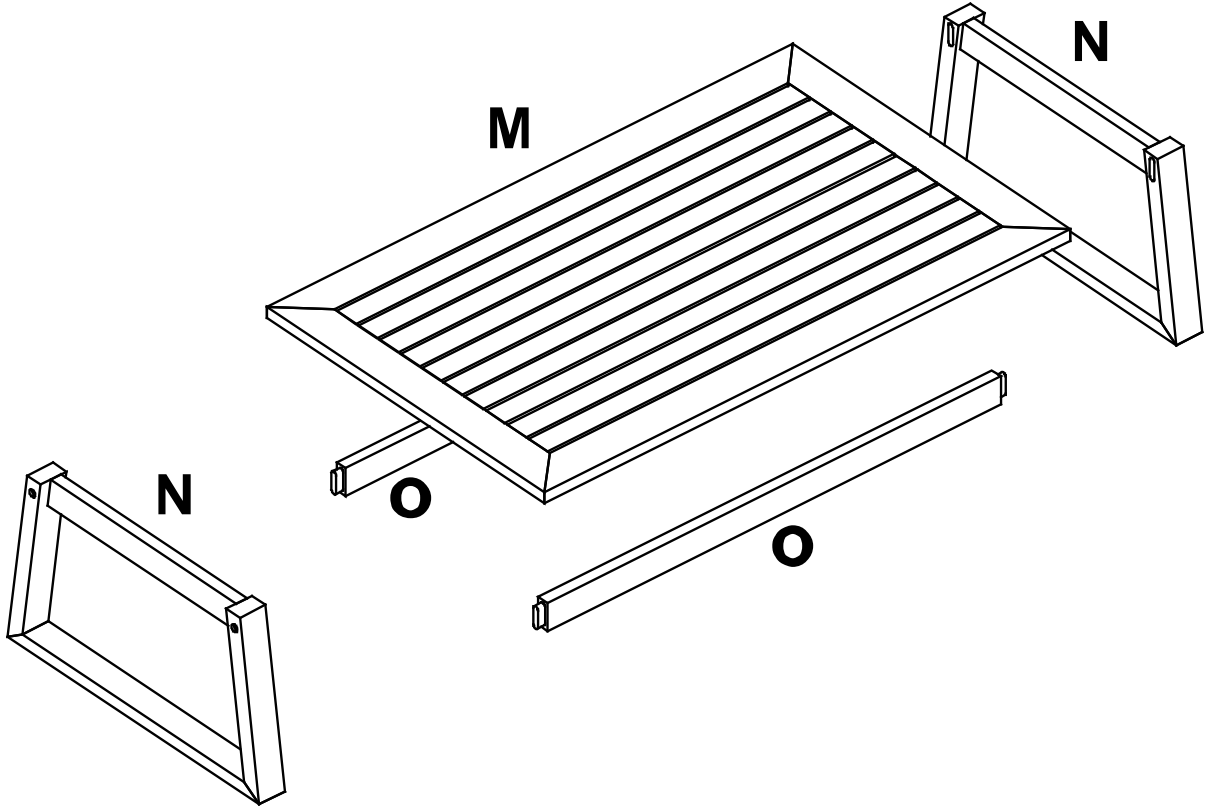
5 Completing the assembly

- Turn the loveseat right side up.
- Place the seat cushion (k) and back cushion (L) on the loveseat, then tie the velcro around the loveseat.
- Inspect the loveseat and make sure all parts are adequately connected.
- Carefully sit onto the loveseat. This pressure will help align all parts at all joints.
- In a sequential manner, tighten all bolts and screws at all joints.
- This loveseat is now ready for your enjoyment.



Pre- assembly (68546.00CT)

PACKAGE CONTENTS (Table)

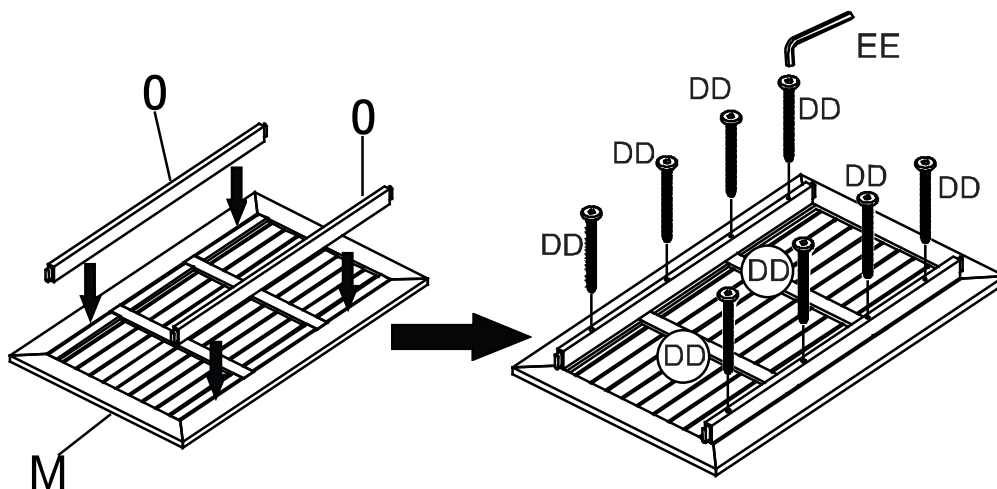


Part	Description	Quantity
M	Table top	1
N	Legs	2
O	Support bar	2

Assembly (68546.00CT, Table)

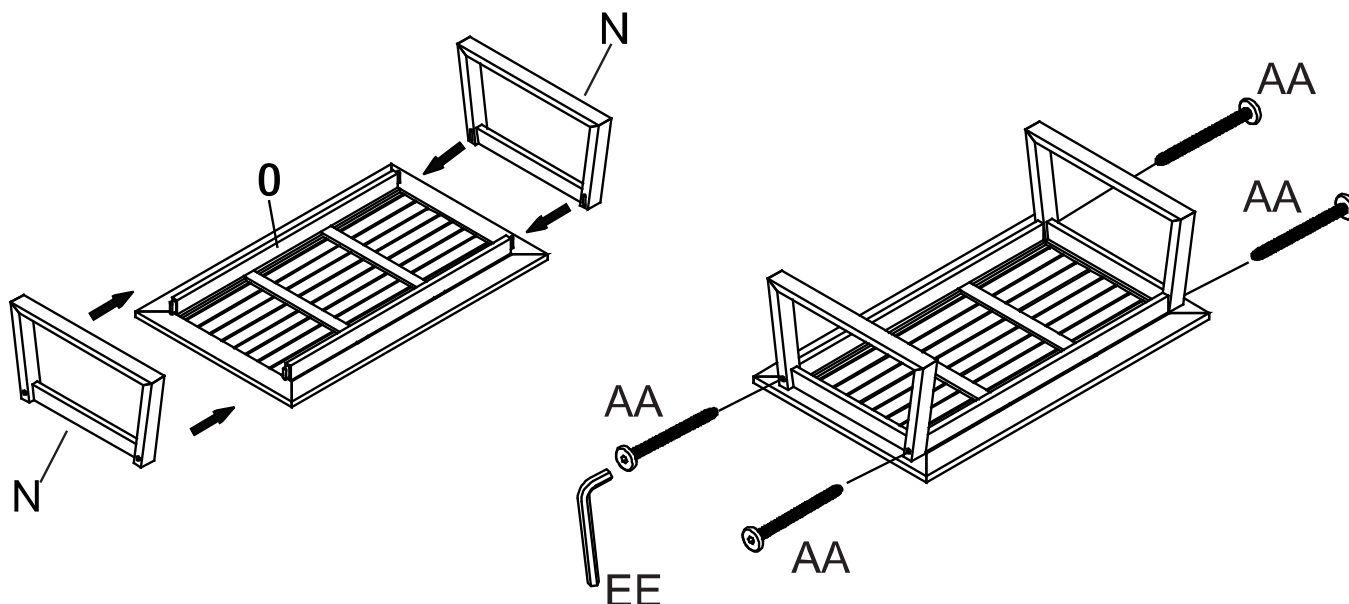
1 Attaching the support bar to the top

- Place the top (M) on a soft surface.
- Attach the support bar (O) to the top (M) using the screws (DD). Tighten with the allen key (EE). Do not tighten completely.



2 Attaching the legs to the support bar

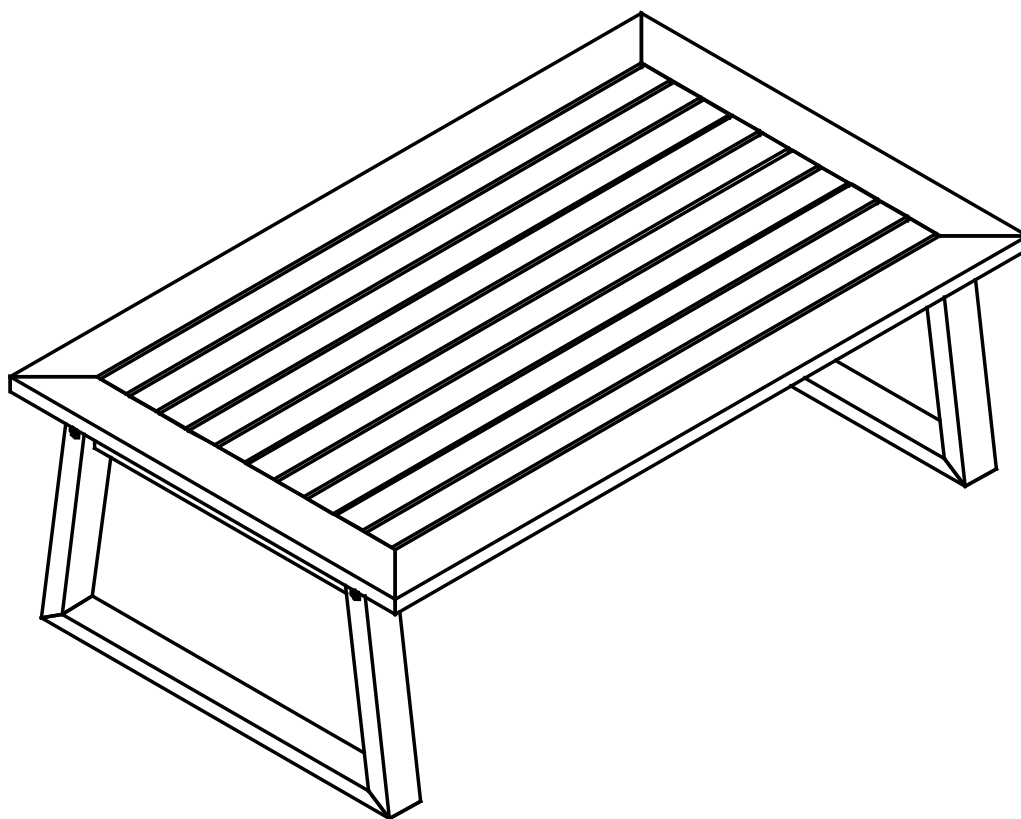
- Insert each leg (N) to the support bar (O) by aligning tenons on the leg (N) to the mortises on the support bar (O) as shown in the image.
- Attach legs (N) to the support bar (O) using screws (AA). Completely tighten all screws (AA) using the allen key (EE).



Assembly (68546.00CT, Table)

3 Completing the assembly

- Place the table right side up.
- This table is now ready for your enjoyment.



Care and Cleaning

- Before using, wipe with a clean, dry cloth. Do not use bleach or solvents. When not in use, store furniture in a cool, dry place. If your set includes cushions or mesh fabric, they may be cleaned by hand with a mild solution of soap and water.
- Rinse cushion thoroughly and allow to drip dry. Do not machine wash or tumble dry, as cushions may shrink
- Do not use bleach or solvents on fabrics. When cleaning the table top make sure to use a soft, clean cloth that does not bleed color as well.

Care and Maintenance

- Wash the frame with a mild solution of soap and water, rinse with clean water, and dry thoroughly.
- Cushions may also be cleaned by hand with a mild solution of soap and water. Rinse the cushion cover thoroughly and allow to drip dry. The back cushion and pillow should be spot cleaned with a soft cloth. Do not machine wash or tumble dry, as cushions may shrink. Do not use bleach or solvents on fabrics. Never use cleaners that contain acid or abrasive materials.
- Use and operation: To improve the lifespan of this furniture, cover when not in use and store in a dry place in the off season.

Service Parts

MODEL TYPE

Part	Description	Quantity
A	Right arm	3
B	Left arm	3
C	Chair back	2
D	Chair seat	2
E	Chair support bar	2
F	Loveseat back	1
G	Loveseat seat	1
H	Loveseat support bar	1
I	Chair seat cushion	2
K	Loveseat seat cushion	1
L	Back cushion	4
M	Table top	1
N	Legs	2
O	Support bar	2

HAMPTON BAY[®]

Questions, problems, missing parts? Before returning to the store,
call Hampton Bay Customer Service
8 a.m. – 7 p.m., EST, Monday – Friday, 9 a.m. – 6 p.m., EST, Saturday

1-855-HD-HAMPTON

HAMPTONBAY.COM

Retain this manual for future use.