

## SAFETY PRECAUTION:

### IMPORTANT: PLEASE READ BEFORE INSTALLATION:

- Before you begin installing the fan, shut power off at the circuit breaker of the fuse box.
- CAUTION:** Read all instructions and safety information before installing your new fan. Review accompanying assembly diagrams.
- Make sure that all electrical connections are in accordance with National Electrical Code, ANSI/NFPA 70 and local codes. Hire a licensed electrician if you are unfamiliar with installing electrical wiring.
- Make sure the installation site you choose allows the fan blades to rotate without any obstructions. Allow a minimum clearance of 2.1m(7 feet) from the floor and 18 inches from the tip of the blades to the wall.
- WARNING-** To reduce the risk of fire, electric shock, or personal injury, mount to outlet box marked "Acceptable for Fan Support of 15.9 kg (35 lbs) or less" and use mounting screws provided with the outlet box.
- CAUTION:** To reduce the risk of injury use only the screws provided with the outlet box in conjunction with the lock washers provided with the fan.
- The outlet box and support structure must be securely mounted and capable of reliably supporting a minimum of 35 pounds. Use only U.L. Listed outlet boxes marked "Acceptable for Fan Support of 15.9 kg (35 lbs) or less".
- After you install the fan, make sure that all mounting components are secured to prevent the fan from falling.
- Do not insert anything into the fan blades while the fan is operating.
- To change the direction of the rotation of the blades the fan must be in operation mode.
- All set screws must be checked and retightened where necessary before installation.
- WARNING -** To reduce the risk of personal injury, do not bend the blade bracket when installing the brackets, balancing the blades, or cleaning the fan. Do not insert foreign objects in between rotating fan blades.
- CAUTION-**To reduce the risk of electric shock, disconnect the electrical supply circuit to the fan before installing light kit.
- After making the wire connections, the wires should be spread apart with the grounded conductor and the equipment-grounding conductor on one side of the outlet box and the ungrounded conductor on the other side of the outlet box.
- The splices after being made should be turned upward and pushed carefully up into the outlet box. Conductor of a fan identified as grounded conductor is to be connected to a grounded conductor of power supply, conductor of fan identified as ungrounded conductor to be connected to an ungrounded conductor of power supply, conductor of fan identified for equipment grounding to be connected to an equipment-grounding conductor.
- This device complies with part 15 of the FCC Rules. Operation is subject to the following two conditions: (1) This device may not cause harmful interference, and (2) this device must accept any interference received, including interference that may cause undesired operation.

**WARNING -** To reduce the risk of fire or electric shock, this fan must be installed with a general use, isolating wall control/switch.

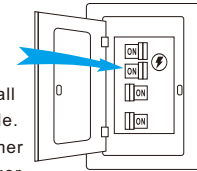
**WARNING -** To reduce the risk of fire or electric shock, do not use this fan with any solid-state speed control device.

**NOTE:** The important safeguards and instructions appearing in this manual are not meant to cover all possible conditions and situations that may occur. It must be understood that common sense, caution and care are factors which cannot be built into this product. These factors must be supplied by the person (s) installing, caring for and operating the unit.

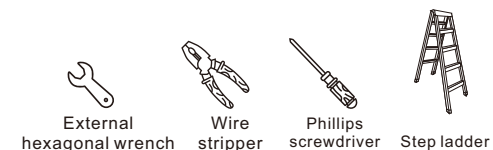
**CAUTION:** The light source is designed for this specific application and can overheat if serviced by untrained personnel. If any servicing is required, the product should be returned to an authorized service facility for examination or repair.

## BEFORE YOU START

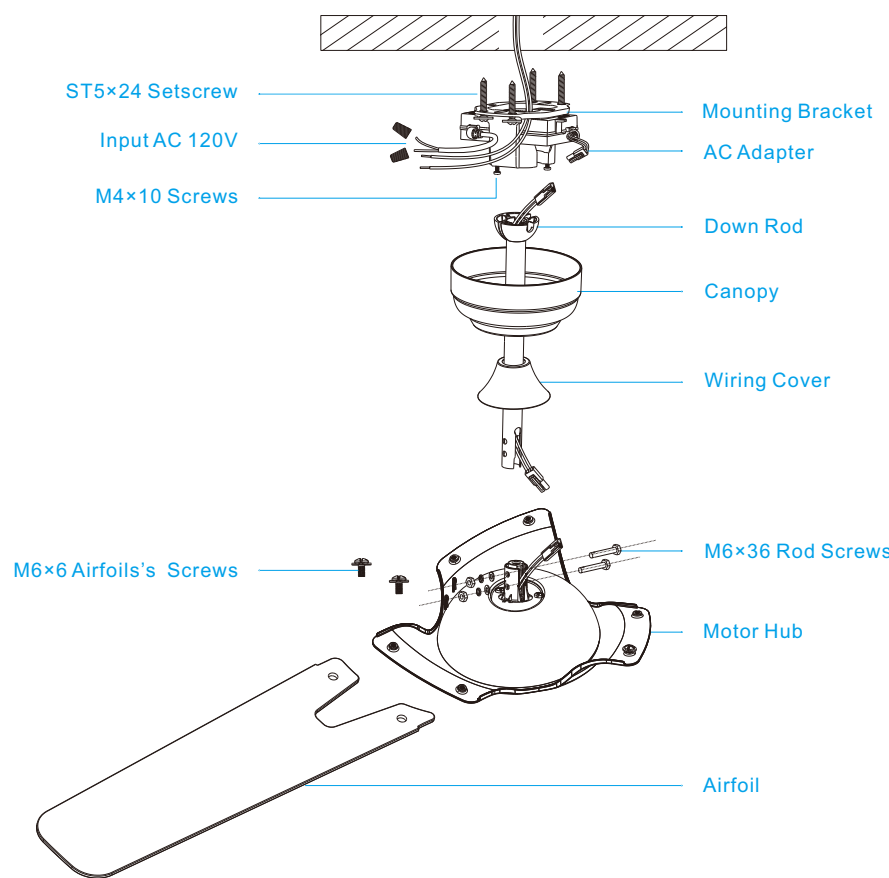
Contact a licensed electrician if you are uncomfortable performing electrical work. A licensed electrician must install the fan if required by local code. Do not use the fan with a dimmer switch. Turn off power at breaker.



## TOOLS AND MATERIALS REQUIRED



## PRODUCT INSTRUCTION:



## SCREWS BAG

1 pc	4 pcs	6 pcs	2 pcs	2 pcs

## INSTALLATION:

### 1 Install Airfoils:

- Put out the motor hub from the package box and place it upside down on the motor paper holder. Match the sharper tip of the airfoil with the corresponding place on the hub (the sharper tip is at the right side), align these screw holes and tighten the screws.(Fig.1.1)
- Three airfoils installed.(Fig.1.2)

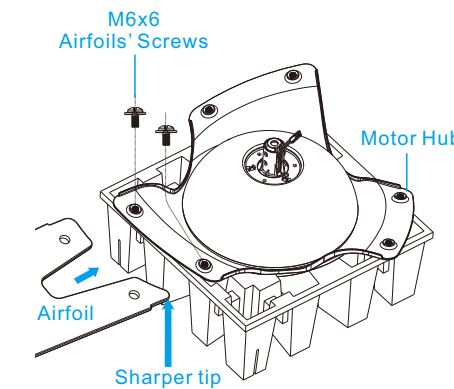


Fig 1.1

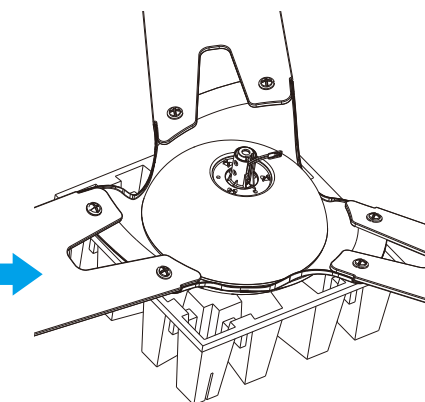


Fig 1.2

### 2 Attach Down Rod

- Put down rod as Fig.2.1 install as right picture.(Pls select the suitable length of rod for your ceiling.)

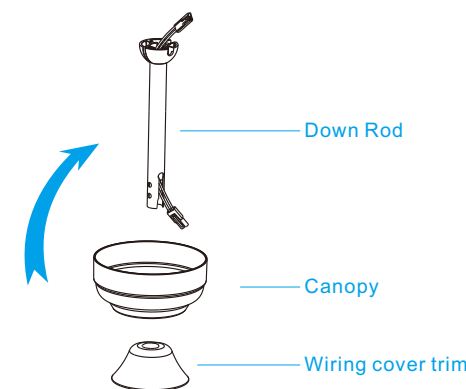


Fig 2.1

- Connect the wiring harness from the down rod to the receptacle from motor wire as Fig 2.2.1. After finished, hide the wire into down rod as Fig 2.2.2. Take out a part of the power cord to avoid the screw holes as Fig 2.2.3, make sure the screws firmly.

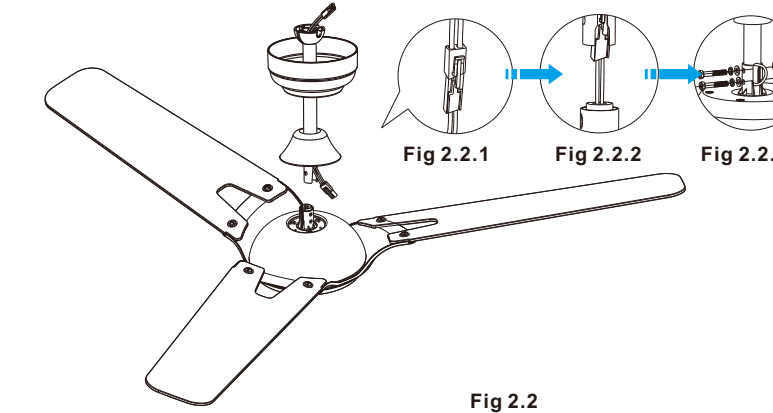
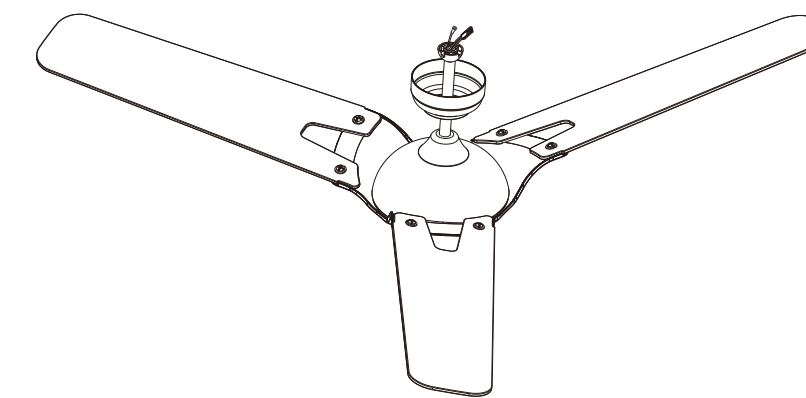


Fig 2.2

## STEP COMPLETED



## 3 Assembly — Hanging the Fan

Install the mounting bracket to the ceiling box, as shown in Fig 3.1 below. Rotate the mounting bracket in different directions so that the bracket mounting holes match the screw holes of the ceiling box.

Note: This mounting bracket is a standard cable box. If the mounting bracket is installed at the outlet box, it should be installed on the outlet box with two screws matching the outlet box itself, as shown in Fig 3.1.

This bracket can also be mounted to the wooden ceiling beam, and then the four ST5x24 screws can be used to lock the corresponding holes on the left and right sides of the bracket.

Note: The wooden ceiling beam must meet the tensile test of 30KG for installation, as shown in Fig 3.2. It is also possible to install the mounting bracket directly to the concrete ceiling, and install four M8x70 screws to the left and right corresponding holes of the bracket to lock the ceiling, as shown in Fig 3.3.

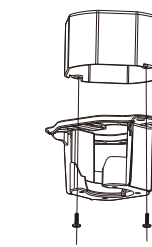


Fig 3.1



Fig 3.2

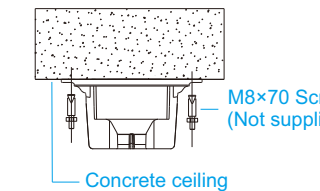


Fig 3.3

### If you have an angled or vaulted ceiling: (Fig.3.4)

- When installing the mounting bracket, the bracket groove is upward;
- You will need a longer down rod;
- If your ceiling angle is wider than 25°, you will also need an Angled Mounting Kit.

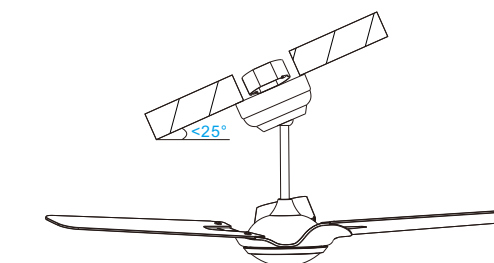


Fig 3.4

#### 4 Hanging ceiling fan & Installing power adapter & Wire the Fan:

**WARNING:** To reduce the risk of fire, electric shock or other personal injury, mount the fan only to an outlet box or supporting system marked acceptable for fan support and use the mounting screws provided with the outlet box.

**WARNING:** Check to see that all connections are tight, including ground, and that no bare wire is visible at the wire nuts (except for the ground wire).

**WARNING:** To reduce the risk of fire or electric shock, do not use this fan with any solid-state speed control device.

**WARNING:** To avoid possible electrical shock, be sure electricity is turned off at the main fuse box before wiring.

Hang the installed ceiling fan on the mounting bracket that mounted to the ceiling as shown in Fig 4.1, pay attention to the enlarged image as shown in Fig 4.1. The ball slot needs to match the rip of bracket.

Connect the wire of the power adapter through the bracket as below Fig 4.2.

Connect the AC input to the house electricity, then hide AC wire into ceiling. The yellow wire from bracket connect with the ground wire from the house with plastic wire nut to protect and then hide inside the ceiling. Put the AC Adapter inside the bracket and connect the DC output wire with the wire from motor through the down rod. (Make sure all the wires connect with right color as below Fig 4.2.) Make sure all wires are tucked in the canopy.

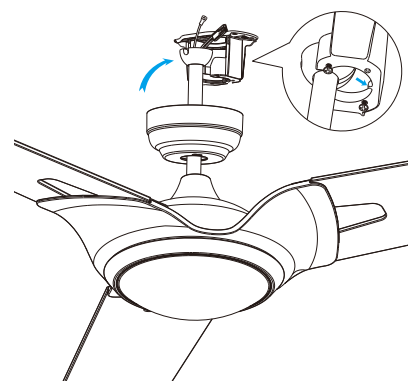


Fig 4.1

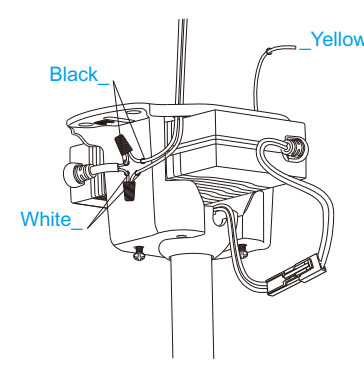


Fig 4.2

#### 6 Raise Canopy

Make sure all wires are tucked in the canopy. Raise the canopy to the mounting bracket, aligning the two screws on the canopy with the holes on the bracket, Secure the canopy to the mounting bracket with the screws, as Fig 5.1.

Installation is now completed. Turn on the power switch as Fig 5.2. Test your fan using the remote control. Observe whether there is red light flashing in the center of the ceiling fan lampshade.

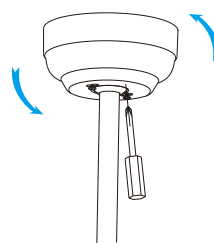


Fig 5.1

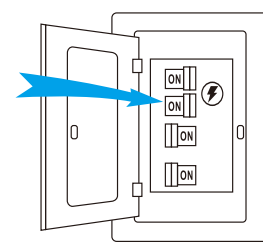
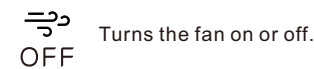


Fig 5.2

#### REMOTE CONTROL FUNCTIONS AND SETTINGS:

**Note:** Press button  for 5 Sec. after fan is powered on within 10 min., pair remote control and fan successfully after "beep" alert.

**Do not expose the remote control to rain or water.**



Turns the fan on or off.



Forward/Reverse fan direction.



Decreases fan speed.



Increases fan speed.

**Breeze Nature** Varies fan speed to simulate a natural breeze Adjusts your fan speed overnight to keep you comfortable while you sleep.



Turns yellow light on or off and RF pairing. (Note: Press button for 5 Sec. after fan is powered on within 10 min., pair remote control and fan successfully after "beep" alert.)



Turns white light on or off and WIFI pairing. (Note: Press this button for 5 Sec., this fan enabled for Wi-Fi after "beep" alert.)



Dim the lights

#### APP CONTROL CONNECTION:

In addition to the included remote control, you can control the fan through the "Carro Smart Fan" app.

① First download the app for free from the App Store or Google Play or scan the barcode below.

② Open the app to create your account.

The account with "Carro Smart Fan" can be through E-mail or Mobile phone to sign up, if you already have the account number just log in with your user name and password.

③ Set up a WiFi connection.

Step#1, press "Add new device"

Step#2, make sure fan power up.

Step#3, press "smart ceiling fan" button and "NEXT" button..

Step#4, select your home WIF and enter password

Step#5, open "settings" to WIFI.

Step#6, connect to Carro "Smart Fan-xxxx" WIFI signal.

Step#7, reopen the APP

Wait for the connection completed, will enter the main control UI.

④ The app will walk you through the main screen and show you how to create schedules, change fan speeds, dim the light, switch between Summer/Winter mode, invite users, create groups and much more. Refer to app instructions for more details.

⑤ After pressing the yellow button for five seconds, the buzzer rings, the WiFi module is reset, and the mode is re entered.

⑥ After power-on, the mobile phone can directly search for the device to connect. If you need to reset, please press the fifth point.

If you need to reconnect the device to connect according to the above operation, you can.

**NOTE:** Maximum of 1 fan can operate on a circuit through the remote control.



SCAN AND DOWNLOAD

#### BASIC PRODUCT PARAMETERS:

Name	DC ceiling fan with light	Voltage	120V
Model	CES523AL	Watt	50W (Fan 30W Lamp 20W)
Gross weight	8.5kg(18.8lbs)	Rpm	50-220rpm
Net weight	5.2kg(11.5lbs)	Noise	≤60dB(A)
Size	1320X1320X480mm (52X52X18.9inch)	Airflow	≥6000CMF

Name	DC ceiling fan with light	Voltage	120V
Model	CES563AL	Watt	50W (Fan 30W Lamp 20W)
Gross weight	8.6kg(19lbs)	Rpm	50-205rpm
Net weight	5.3kg(11.7lbs)	Noise	≤60dB(A)
Size	1422X1422X480mm (56X56X18.9inch)	Airflow	≥6000CMF

#### TROUBLESHOOTING:

Your fan may occasionally jerk forward and backward upon start up. This is normal and does not affect fan operation.

Try these troubleshooting steps before contacting Customer Service.

Issue	Solution
<b>The fan will not start.</b>	1. Make sure the fan is receiving power. 2. Check your circuit breaker or fuse panel and wall switch for functionality check the red light whether on flashing. 3. Make sure the fan is properly wired and grounded. 4. Make sure the plastic film in the remote's battery tray has been removed.
<b>The fan wobbles</b>	Remove the airfoils and make sure the colored dot sticker on each airfoil matches the corresponding sticker on the motor hub. If the stickers do not match, move the airfoils to the matching attachment points.
<b>LED OFF</b>	1. Make sure LED wire connect with controller. 2. Make sure the whole machine is energized. 3. Make sure the remote control code is matched.
<b>The fan is noisy during operation</b>	Bring the fan to a complete stop. • Gently turn the airfoils by hand, making sure there are no fan parts rubbing on the motor hub when the fan rotates. • Check all mounting and fan hardware. If loose, tighten.
<b>Try these troubleshooting steps before contacting Customer Service. For additional operation, maintenance, and troubleshooting information, please contact us directly.</b>	

#### CARE AND CLEANING:

1. Check the support connections, brackets, and blade attachments twice a year. Make sure they are secure. Because of the fan's natural movement, some connections may become loose over time. It is not necessary to remove the fan from the ceiling.

2. Clean your fan periodically. Use only a soft brush or lint-free cloth to avoid scratching the finish.

The plating is sealed with a lacquer to minimize discoloration or tarnishing.

3. (Optional) Apply a light coat of furniture polish to the wood blades.

4. (Optional) Cover small scratches with a light application of shoe polish.

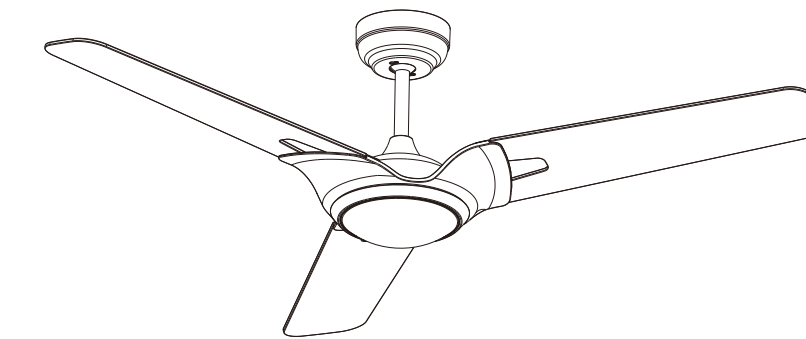
#### Do not:

1. Use water when cleaning. Water could damage the motor, or the wood, or possibly cause an electrical shock.

2. Apply oil to your fan or motor. The motor has permanently-lubricated sealed ball bearings.

#### Note:

**Power off the fan before product maintenance or cleaning the fan.**



ITEM: ITEM: CES523AL / CES563AL

Technical Parameter: AC 120V 60HZ

SMART CEILING FAN INSTALLATION GUIDE

Please read and save the instructions carefully before using this product