

Barrier Free, Roll In Shower 60" x 30" **Elite Brilliant** - Center Drain



Model #

- 6030 BF 5P .75C-WH ELB
- 6030 BF 5P .75C-BN ELB
- 6030 BF 5P .75C-B ELB

Elite Brilliant Accessories (page 2)



Outside Dimensions: 31" W x 60" L x 77.75" H
Shipping Dimensions: 48" W x 79" L x 84" H
Shipping Weight: 437 lbs.
Net Weight: 425 lbs.
Threshold Height: 3/4" Change of Level **L**

Package Options:

- White (W), Bone (BN) or Biscuit (B) Shower Panels
- Standard, Plus 24, Plus 36, Freedom, Deluxe, or Elite (premium fixtures in white, brilliant or satin)
- With molded soap ledges - tile pattern option
- Without soap ledges - flat wall option
- Flange Trim Molding Kit
- Multi-Piece Window Trim Kit

Panels:

Shower Base 31" W x 60" L x 4.25" H
Side Wall Panel Left 31" W x 73.75" H
Side Wall Panel Right..... 31" W x 73.75" H
Rear Wall Panel Bottom 60" L x 44" H
Rear Wall Panel Top..... 60" L x 29.75" H

Features:

- Premium marine grade gel-coat, five piece shower with 8" classic tile pattern
- Wood and steel reinforced walls for placing grab bars and seats anywhere (not dependent on stud locations)
- Easy shower wall assembly pin-lock system allowing front side installation
- Precision fit wall panel seams (match into grout pattern)
- Grip-Sure™ floor texture
- Self supporting, pre-leveled shower base (no mudset required)
- Shower door friendly (squared corners allow door installation)
- Ships pre-assembled, heavy duty crating protects product in transit

Accessories:

- [12] Collapsible Rubber Dam White with End Caps
- [14] 2" Chrome Strainer, Brass Drain with Friction Seal
- [15] 66" x 74" Heavy Weighted Shower Curtain

Hansgrohe:

- [1] Hand Shower, Chroma E75 3 Jet
- [2] Vinyl Techniflex Hose
- [3] Wall Outlet Elbow in Chrome
- [4] Hand Shower Alternate Wall Mount in Chrome
- [7] HG Focus E Pressure Balance Valve
- [8] Interchangeable iBox Universal Plus

Ponte Giulio:

- [5] Two (2) Straight Brilliant Finish (Fine Polished Stainless Steel) Grab Bars (36" and 18")
- [6] Ergonomic Hand Shower Holder ABS in Chrome
- [9] 4" x 16" Folding Seat, Stainless Steel Support, ABS White/Chrome 380lb cap.
- [10] Folding Wall Grab Bar, Elbow Support 18" Polyethylene White/Chrome
- [11] Shower Curtain Rail Brilliant Finish (Fine Polished Stainless Steel)
- [13] Rectangular Stainless Steel Soap-Sponge Basket

Codes:

IPC, UPC, ANSI Z 124.2, NAHB, HUD, FHA

Warranty:

30 Year Limited Lifetime Warranty (on shower panels)*

*For more information please visit www.ellasbubbles.com

L Change of Level threshold has manageable 1/4" vertical rise to easily coordinate with minimum finished flooring.

Barrier Free, Roll In Shower 60" x 30"

Elite Brilliant Accessories

1.



Chroma E75
Hand Shower - 3 Jet

2.



Vinyl Techniflex Hose

3.



Wall Outlet Elbow

4.



Hand Shower
Alternate Wall Mount

5.



Brilliant Finish Stainless Steel
Concealed Flange Grab Bars

6.



Ergonomic Hand Shower
Holder ABS in Chrome

7.



HG Focus E
Pressure Balance Valve

8.



Interchangeable iBox
Universal Plus for HG Focus E

9.



Folding Seat SS Support
ABS White & Chrome

10.



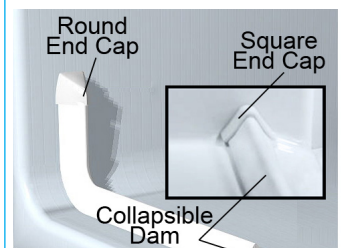
Folding Grab Bar Elbow Support
18" ABS White & Chrome

11.



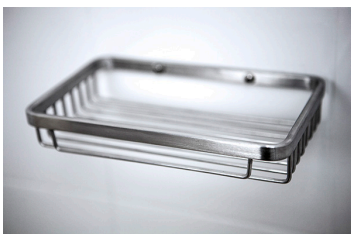
Brilliant Finish SS Straight
Shower Curtain Rail

12.



Collapsible Rubber Dam
White PVC with End Caps

13.



Rectangular Stainless Steel
Soap-Sponge Basket

14.



2" Chrome Strainer
Brass Drain with Friction Seal

15.



66" x 74" Heavy Weighted
Shower Curtain

hansgrohe

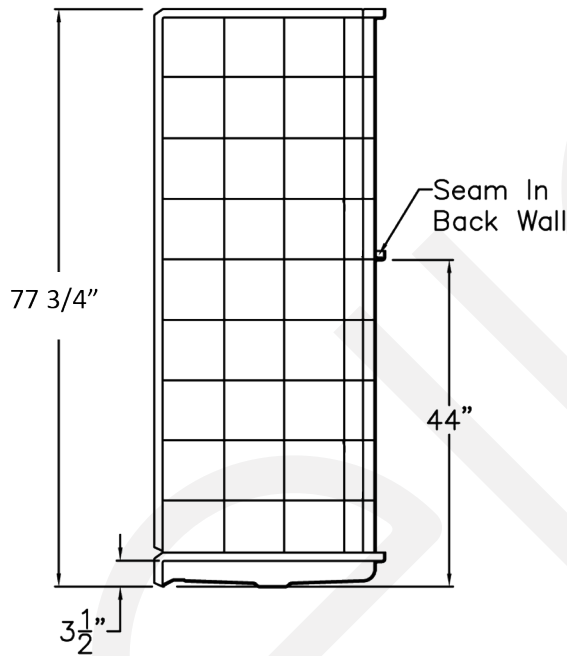
1, 2, 3, 4, 7, 8
German Engineering

PONTE GIULIO
creating solutions

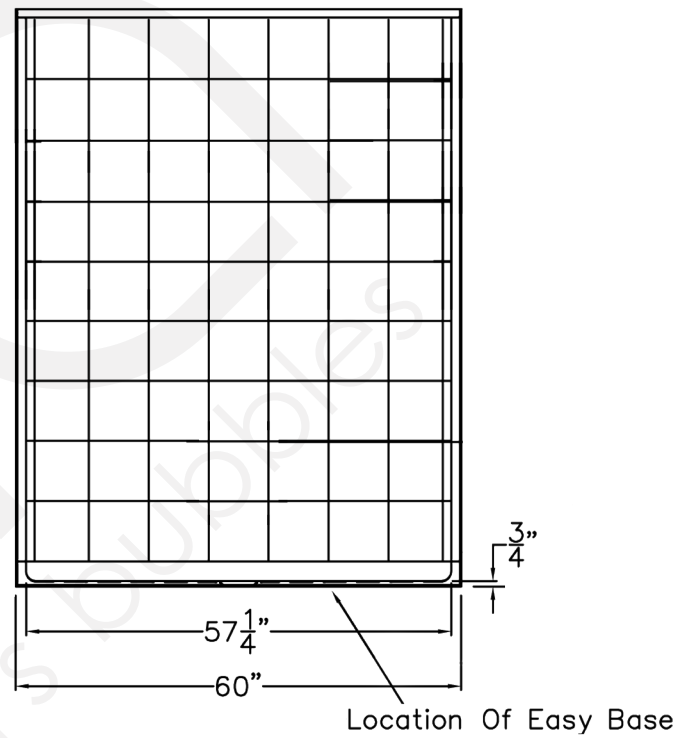
5, 6, 9, 10, 11, 13
Italian Design

Barrier Free, Roll In Shower 60" x 30"
6030 BF 5P .75 - Center Drain

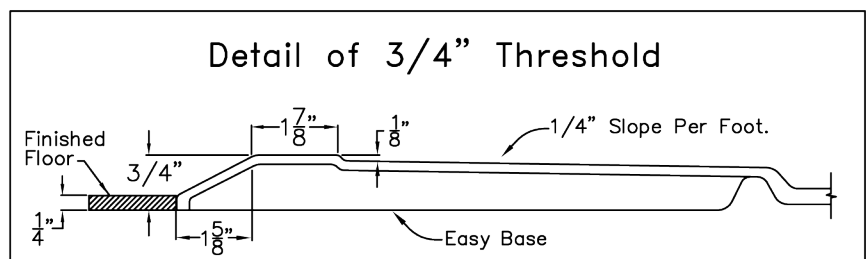
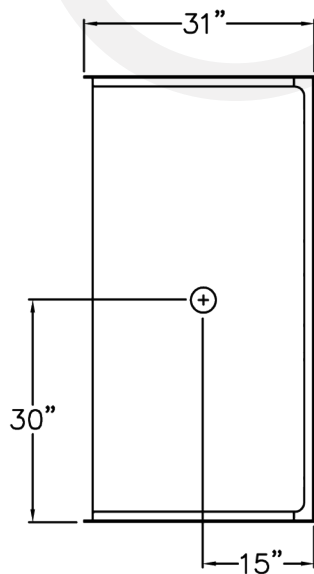
SIDE VIEW



FRONT VIEW



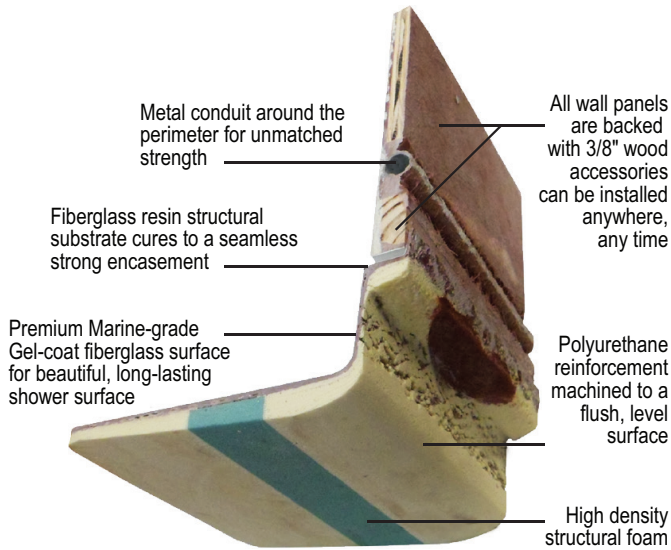
TOP VIEW



Disclaimer:
In an effort to continually improve our product, specifications and configurations are subject to change without notice. Before ordering or installing, consider future access to essential equipment. Due to the nature of the materials, dimensions may vary $\pm 1/2"$.

STRENGTH

Wood & Steel Reinforced Walls



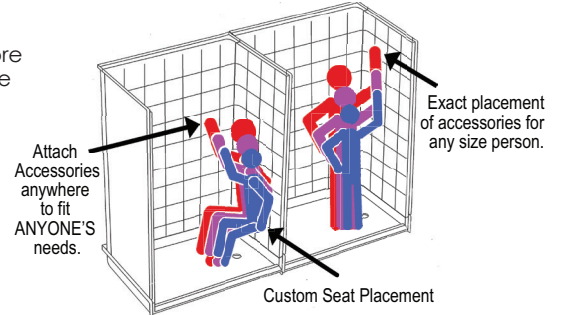
Twice the weight and twice the raw materials used in the construction of our showers than listed by any of our competitors.

Wood reinforced core walls and high density base. Metal conduit around perimeter of EACH panel for added strength.

ADAPTABILITY

Customized Accessory Placement

The wood reinforced core walls allow the fixtures to be installed right onto the wall studs by eliminating the need for a drywall backing.



SHOWER DOOR FRIENDLY

Your choice: Curtain or Door

Square corners in Ella shower construction allow for framed or frameless shower doors to be installed.

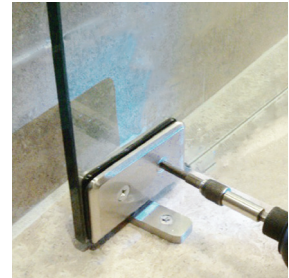
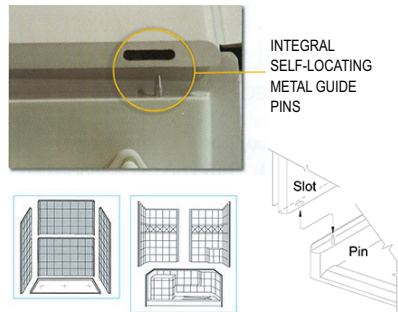


Image for illustration only

FRONT SIDE INSTALLATION

Aluminum Pin and Slot System for a contractor friendly front side installation.

An installation may be finished in a fraction of the time. No more need to get behind the panels to bolt large panels together.



AVAILABILITY

Your Project won't be held up

Ella showers are manufactured, inspected and shipped directly from the factory within 5 - 7 business days.

Rush orders are available upon request (white only).

No order is too big or small.

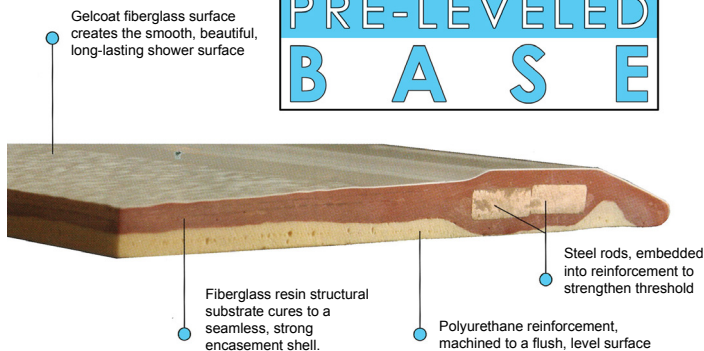
SMART PACKING

Multi-piece Shower in a Box



In stock for Rapid Ship

PRE-LEVELLED BASE



Barrier Free 1"

