

VCMA-20 SERIES

APPLICATIONS

- Designed for automatic collection and removal of condensate from air conditioning, refrigeration and dehumidification equipment when gravity drainage is not possible or practical. Also, suitable for high efficiency oil and gas-fired condensing furnace and condensing boiler equipment.

FEATURES

- 1/2-gallon collection tank
- Vertical centrifugal pump design
- Stainless steel motor shaft
- Automatic start and stop operation
- Some models equipped with float (solid polymer) activated switch for automatic high-level water detection (overflow detection switch)
- For models with overflow detection switch: dual function NO and NC operation (set to NO from factory for equipment shut down connection)
- Models equipped with overflow detection switch include two 5" switch lead wires
- 3/8" O.D. barbed discharge adapter with built-in check valve
- Three 1-1/8" diameter inlet openings (two fitted with removable cap plug)
- Thermally protected, fan cooled motor
- Built-in wall mount tabs on tank
- Removable pump float locking tab for safety during transportation (remove at time of installation)
- Maximum water temperature: 140 °F
- 6 ft, 3-conductor cable with grounded 3-prong plug
- Some models include 20' x 3/8" I.D. vinyl discharge tubing



SERIES SPECIFICATIONS

Item No.	Model	HP	Input Voltage	Hz	Amps (FLA)	Watts (kW)	Discharge Size	Performance GPH (LPH) @ Head				Shut-Off Ft.	PSI	Cord	Weight (lbs)
								1'	5'	10'	20'				
554421	VCMA-20UL	1/30	115	60	1.5	93	3/8" (9.5mm) OD Barbed	80 (303.2)	70 (265.3)	48 (181.9)	0 (0)	20 (6.1 m)	8.7	6 (1.8 m)	5 (2.3 Kg)
554451	VCMA-20UL	1/30	230	50/60	0.5	75	3/8" (9.5mm) OD Barbed	80 (303.2)	70 (265.3)	48 (181.9)	0 (0)	17 (5.2 m)	7.4	6 (1.8 m)	5 (2.3 Kg)
554431	VCMA-20ULT	1/30	115	60	1.5	93	3/8" (9.5mm) OD Barbed	80 (303.2)	70 (265.3)	48 (181.9)	0 (0)	20 (6.1 m)	8.7	6 (1.8 m)	6 (2.7 Kg)
554425	VCMA-20ULS	1/30	115	60	1.5	93	3/8" (9.5mm) OD Barbed	80 (303.2)	70 (265.3)	48 (181.9)	0 (0)	20 (6.1 m)	8.7	6 (1.8 m)	5 (2.3 Kg)
554455	VCMA-20ULS	1/30	230	50/60	0.5	75	3/8" (9.5mm) OD Barbed	80 (303.2)	70 (265.3)	48 (181.9)	0 (0)	17 (5.2 m)	7.4	6 (1.8 m)	5 (2.3 Kg)
554435	VCMA-20ULST	1/30	115	60	1.5	93	3/8" (9.5mm) OD Barbed	80 (303.2)	70 (265.3)	48 (181.9)	0 (0)	20 (6.1 m)	8.7	6 (1.8 m)	6.3 (2.9 Kg)
554461	VCMA-20ULST	1/30	230	60	0.5	75	3/8" (9.5mm) OD Barbed	80 (303.2)	70 (265.3)	48 (181.9)	0 (0)	17 (5.2 m)	7.4	6 (1.8 m)	6.3 (2.9 Kg)

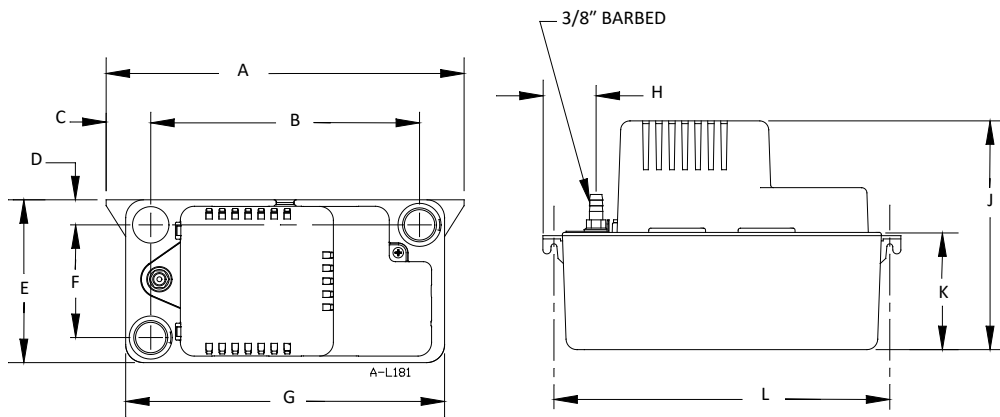
Note: GPH is through check valve.

VCMA-20 SERIES

REPLACEMENT PARTS & KITS

Item	Part Number
Tank	154401
Cover, Motor	154421
Float Arm	154452
Switch Holder	154471
Switch	950337

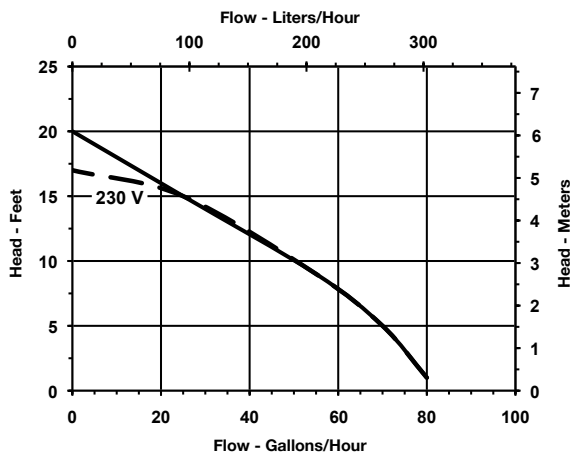
ENGINEERING DATA



A	B	C	D	E	F	G	H	J	K	L
11 (279.4)	8.3 (210.82)	1.4 (35.56)	0.8 (20.32)	5 (127)	3.5 (88.9)	9.8 (248.92)	1.6 (400.64)	7 (177.8)	3.6 (91.4)	10.3 (261.6)

PERFORMANCE DATA

115 V, 60 HZ



CONSTRUCTION

Motor	1/30 hp
Discharge	3/8" OD barbed
Housing/Tank Cover	ABS
Volute	ABS
Tank	ABS
Impeller	Glass filled polypropylene
Check Valve	Acetal