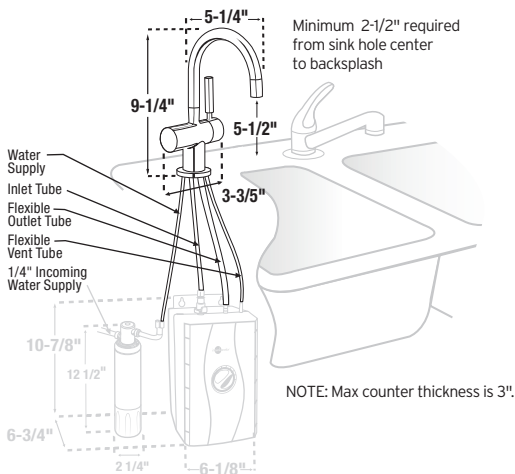




# The Next Necessity™



## Dimensions



## Instant Hot Water Dispensers



### F-H3300

Our finest line of instant hot water dispensers for use with our Hot Water Tank for filtered near-boiling 200°F water

Tank with filter sold separately (HWT-F1000S)

## Submittal Sheet

- **Hot Only** - Dispenses near-boiling 200°F water
- Unique single handle design provides a sleek, minimalist look
- Hot side activation with automatic shut off
- Activate the faucet handle by first pressing down and then pushing backward
- Ceramic valve resists corrosion
- Durable all brass faucet construction
- *We Come To You*® 5-Year In-Home Limited Warranty\*
- For use with InSinkEerator Hot Water Tank and F-1000S Filtration System
- **Available in these designer finishes:** chrome and satin nickel

## Specifications

Ceramic Valve	Instant, self-closing
Shipping Weight	Approximately 5.0 lbs.
Required Hole Diameter	1-3/8" - 1-1/2" standard sink hole



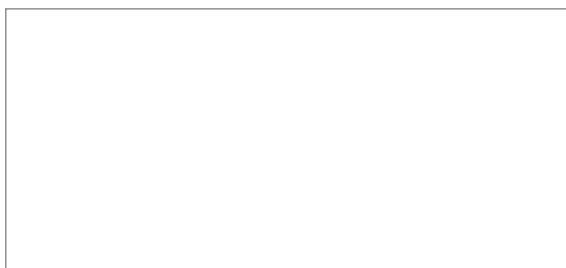
## Sample Specification

Instant hot water dispenser(s) shall be InSinkEerator Model F-H3300 with 2/3-gallon hot water tank, adjustable temperature from 160°F to 210°F and instant, self-closing ceramic hot valve.

**Warranty:**  
5-year parts and in-home service.

\* The complete InSinkEerator warranty is included in the Care & Use booklet packed with each unit.

## Job Specifications



Complies with California Lead Plumbing Law

USA  
1-800-558-5700  
www.insinkerator.com

Canada  
1-800-558-5700  
www.insinkerator.ca



The Emerson logo is a trademark and a service mark of Emerson Electric Co. InSinkEerator may make improvements and/or changes in the specifications at any time, in its sole discretion, without notice or obligation and further reserves the right to change or discontinue models. ©2013 InSinkEerator, a business unit of Emerson Electric Co. All Rights Reserved.