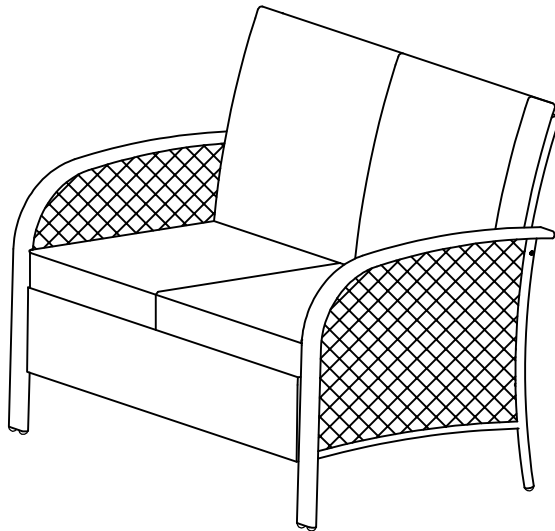


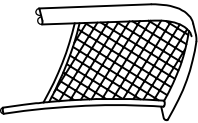
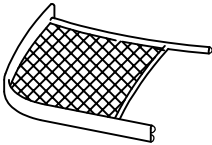
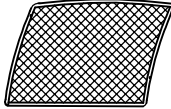
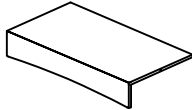
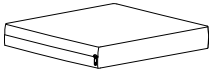
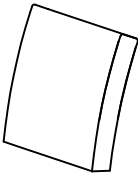


Outdoor Wicker Loveseat


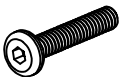


CO7129DW






PART LIST

<p>A</p> 	<p>B</p> 	<p>C</p> 	<p>D</p> 	<p>E</p> 
<p>Left Arm Panel 1 PC</p>	<p>Right Arm Panel 1 PC</p>	<p>Back Panel 1 PC</p>	<p>Seat Panel 1 PC</p>	<p>Seat Cushion 2 PCS</p>
<p>F</p> 				
<p>Back Cushion 2 PCS</p>				

HARDWARE LIST

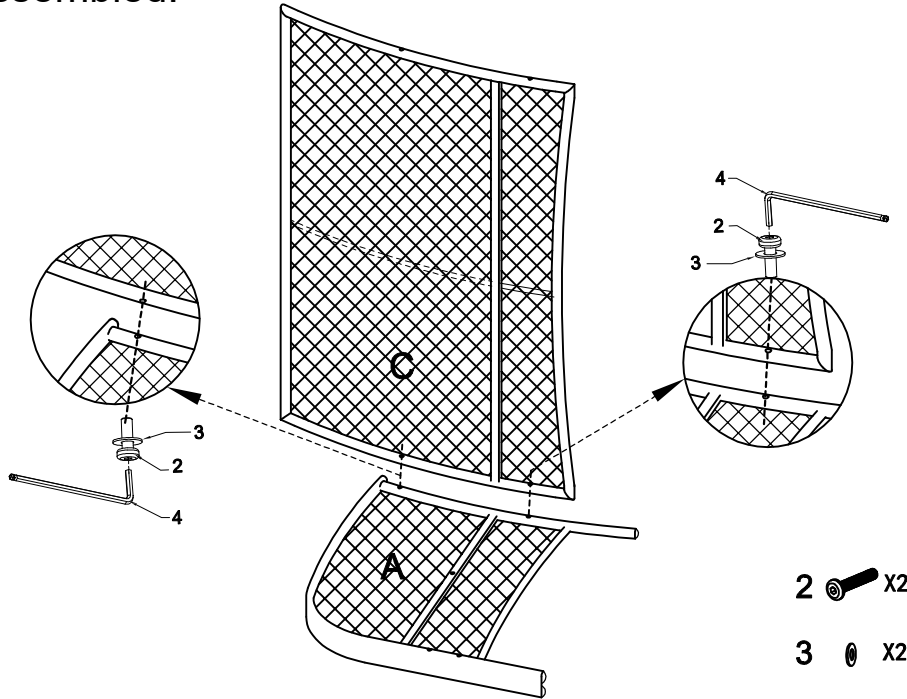
<p>1</p> 	<p>2</p> 	<p>3</p> 	<p>4</p> 
<p>M6*30mm Short Bolt 6PCS</p>	<p>M6*40mm Long Bolt 6PCS</p>	<p>M6mm Washer 12PCS</p>	<p>Allen Key 1PC</p>

EXTRA HARDWARE LIST

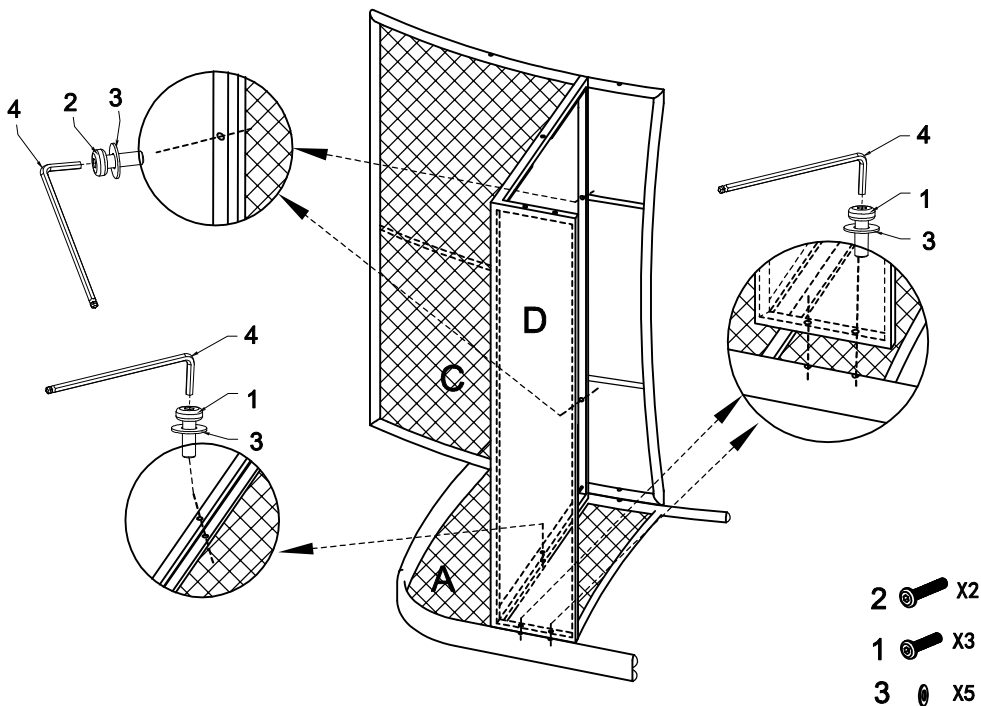
<p>1</p> 	<p>2</p> 	<p>3</p> 
<p>M6*30mm Short Bolt 2PCS</p>	<p>M6*40mm Long Bolt 2PCS</p>	<p>M6mm Washer 3PCS</p>

Step 1. Lay Left Panel (A) down on a flat surface. Attach Back Panel(C) to Left Arm Panel(A) using the Long Bolts(2), Washers(3) & Allen Key (4).

NOTE: Please do not fully tighten bolts until unit is fully assembled.

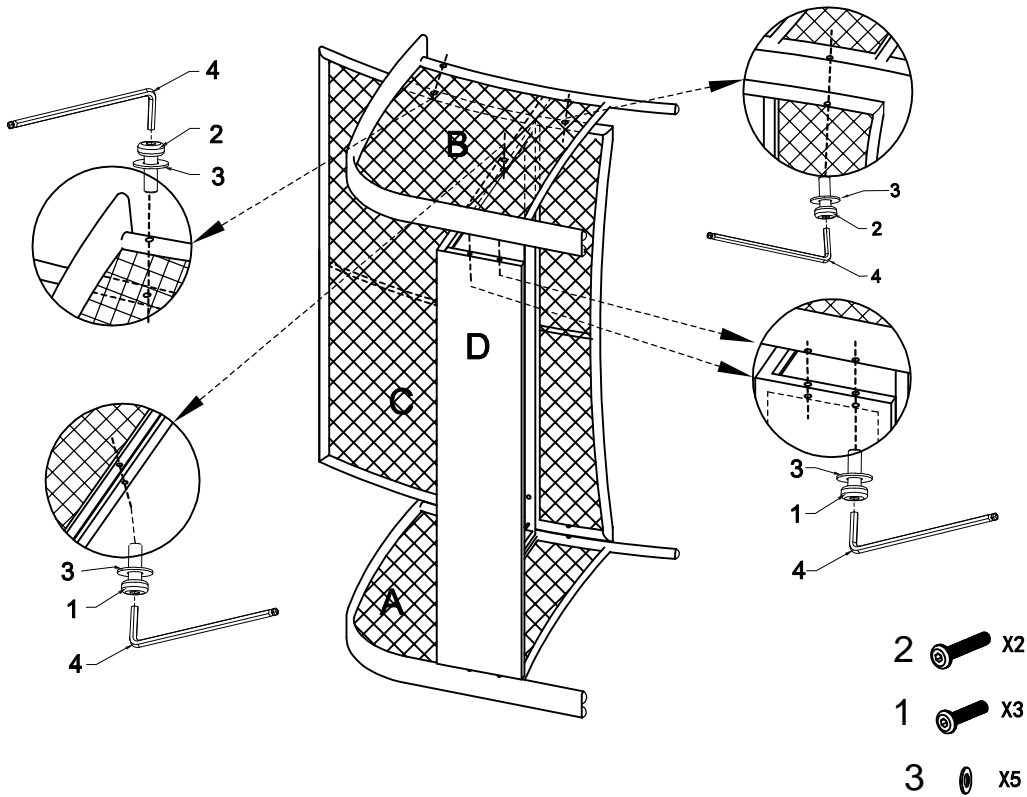


Step 2. Attach Seat Panel(D) to Left Arm Panel(A) and Back Panel (C) using the Short Bolts(1), Long Bolts(2), Washers(3) & Allen Key (4).



Step 3. Attach Right Arm Panel(B) to assembled parts(A,C&D) using Short Bolts (1),Long Bolts (2),Washers (3) & Allen Key (4) .

NOTE: Please fully tighten all bolts at this time.



Step 4. Turn the loveseat upright and place Seat Cushion and Back Cushion on the loveseat.

