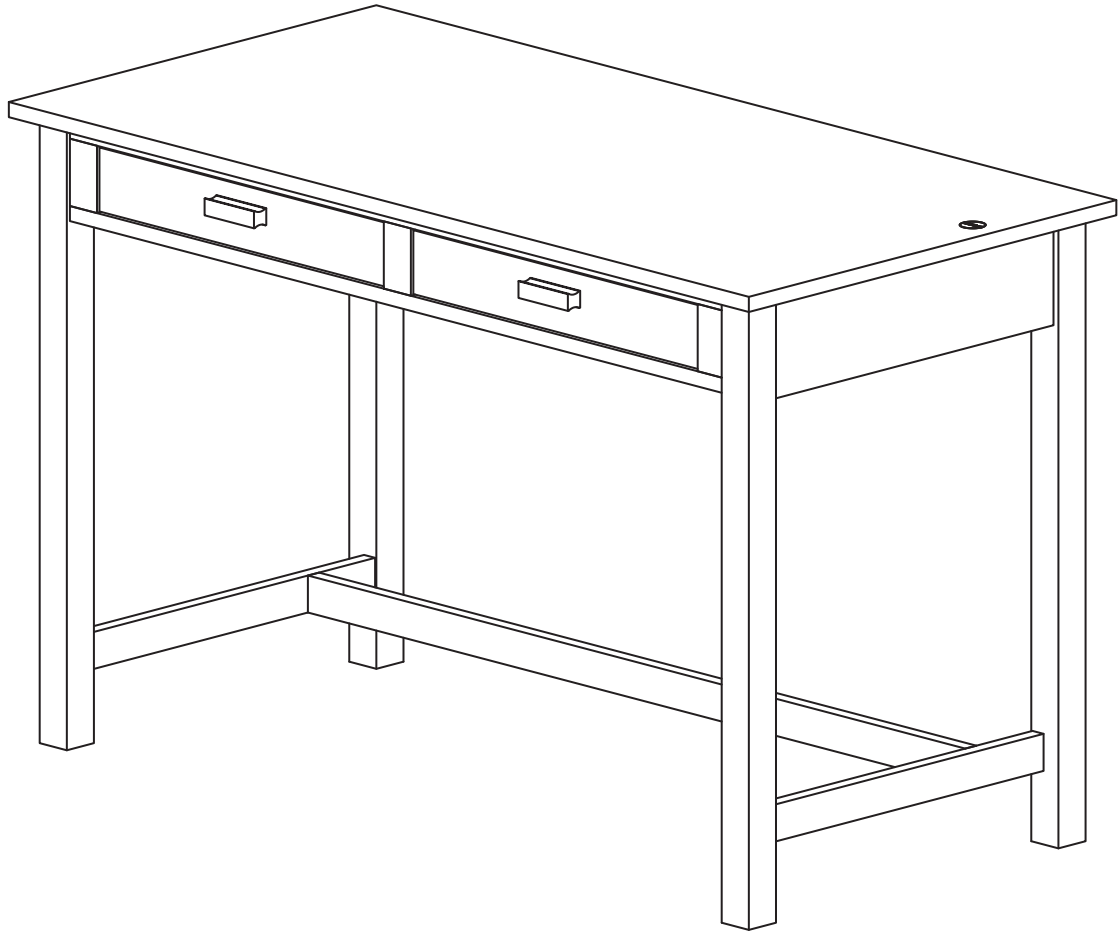


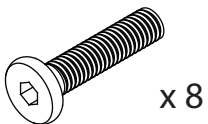
Assembly Instruction

Item# 615-9X

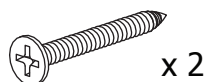
Jefferson Work Desk with Concealed Side Drawer



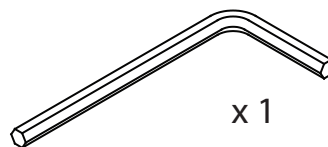
Hardware



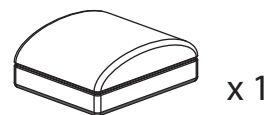
RF10052
JCB M6 x 30



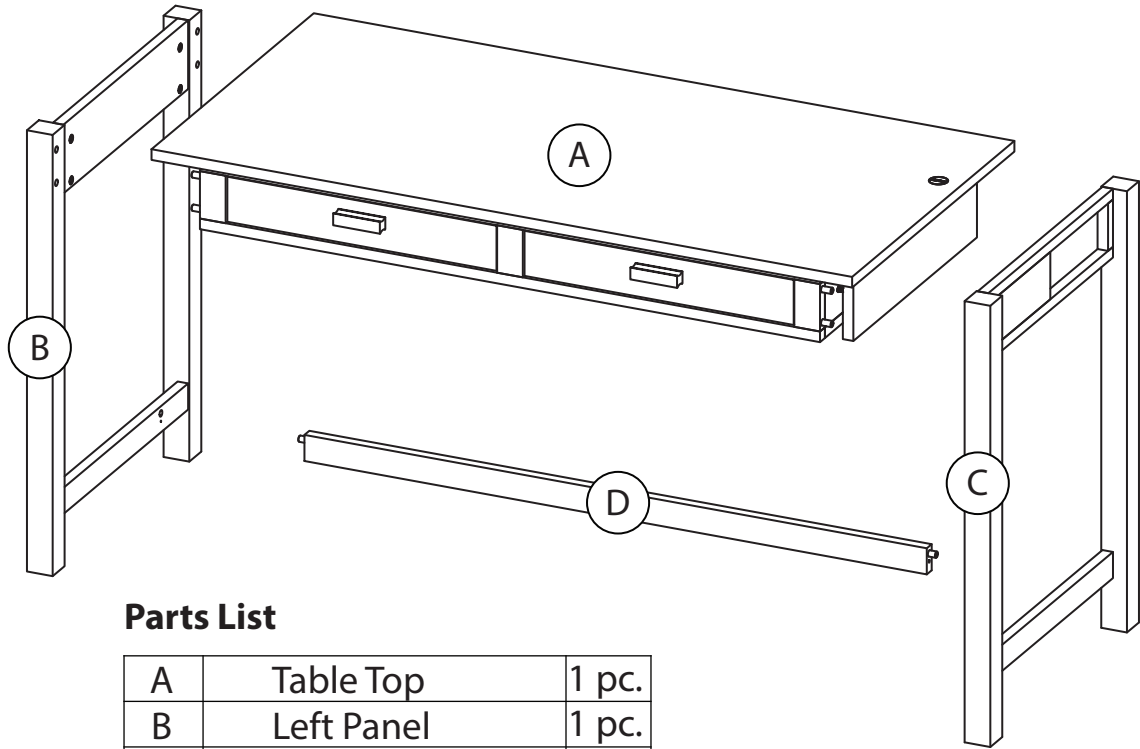
RF10019
F6 x 1 1/4"



RF40103
Allen Key

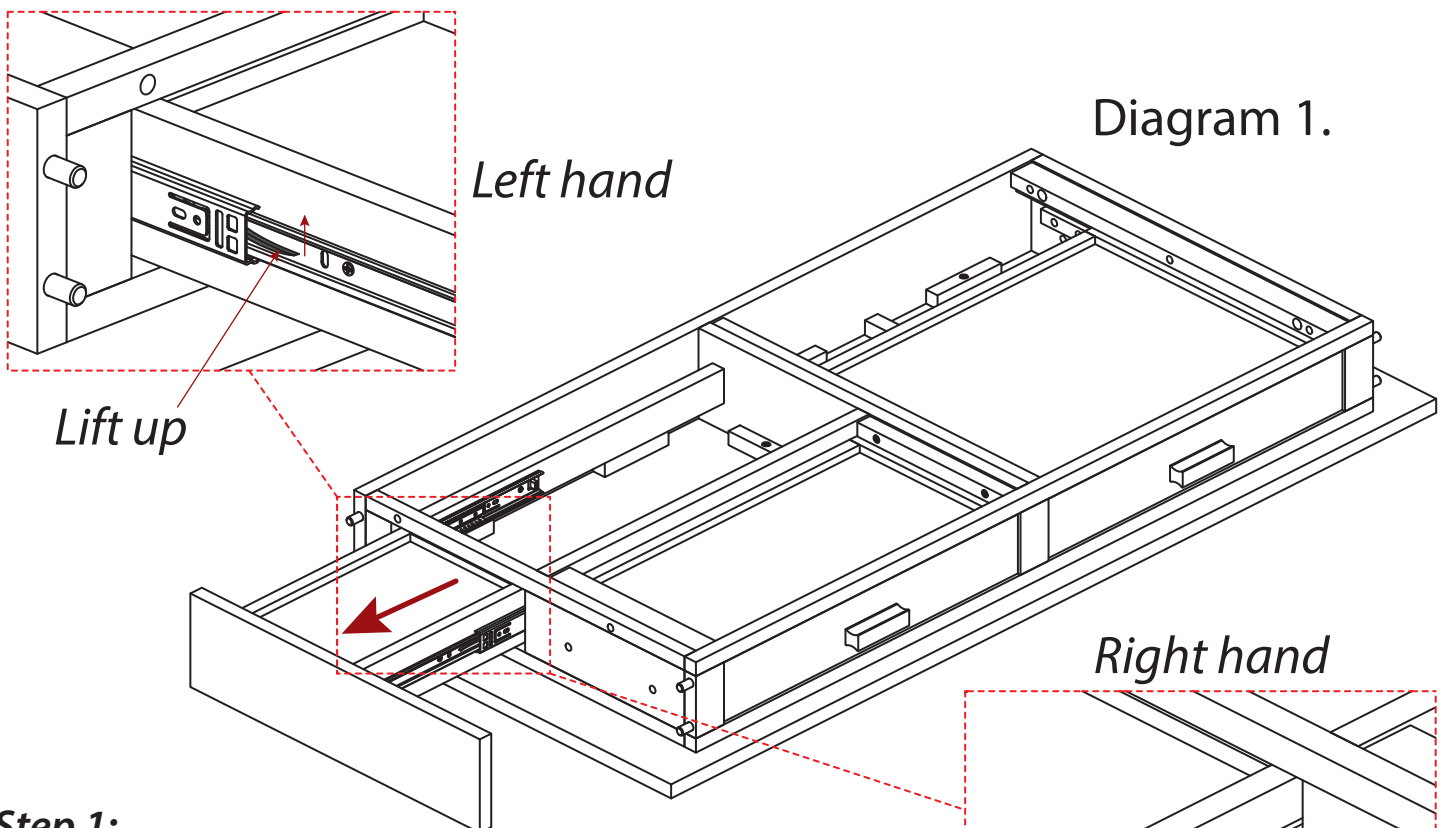


Magnet



Parts List

A	Table Top	1 pc.
B	Left Panel	1 pc.
C	Right Panel	1 pc.
D	Crossbar	1 pc.



Step 1:

Take out the side drawer before assemble the table.

Take out the drawer

- To unlock the drawer's glide.

Left hand : lift up the plastic clip's rail.

Right hand : push down the plastic clip's rail

Then, pull out the unit at the same time.

Push down

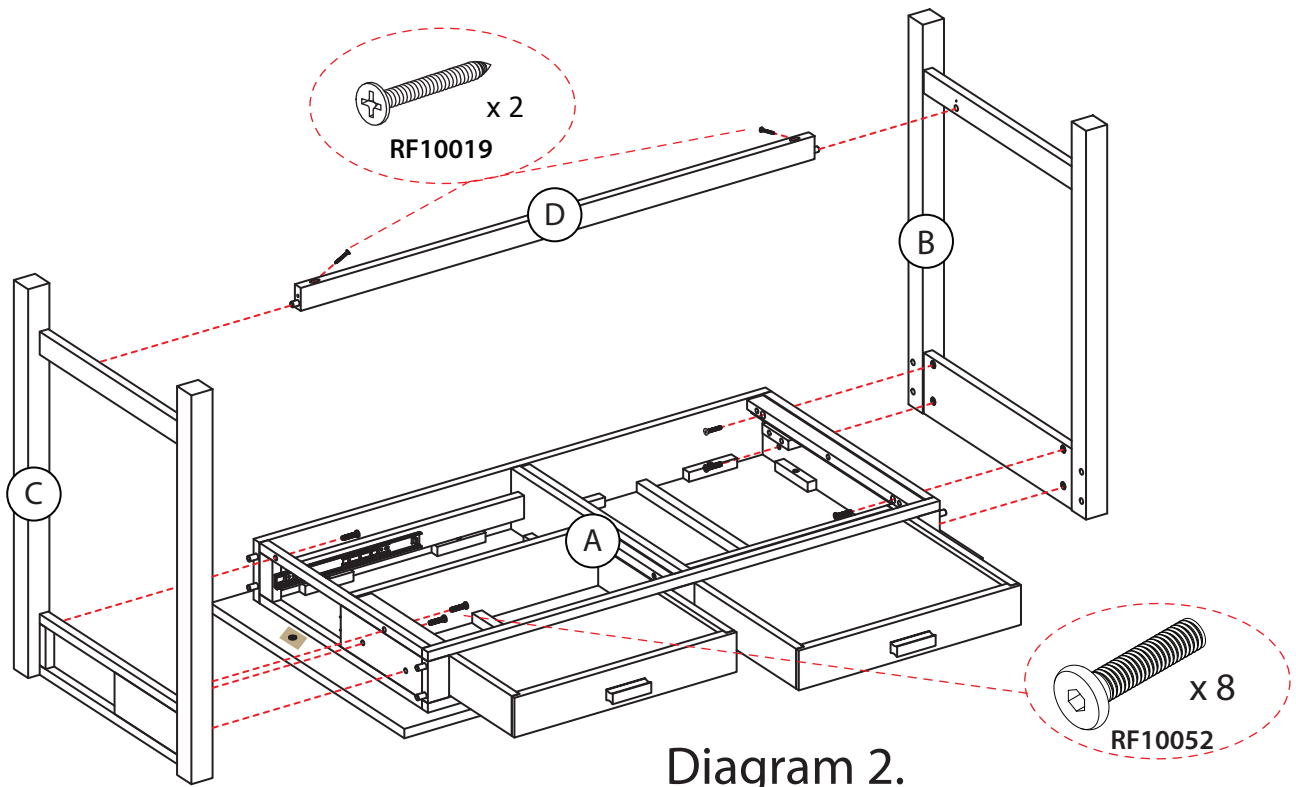


Diagram 2.

Step 2:

Attach Table Top (A), Left Panel (B), Right Panel (C) and Crossbar (D) together by using screw (RF10052) and screw (RF10019) as per diagram 2.

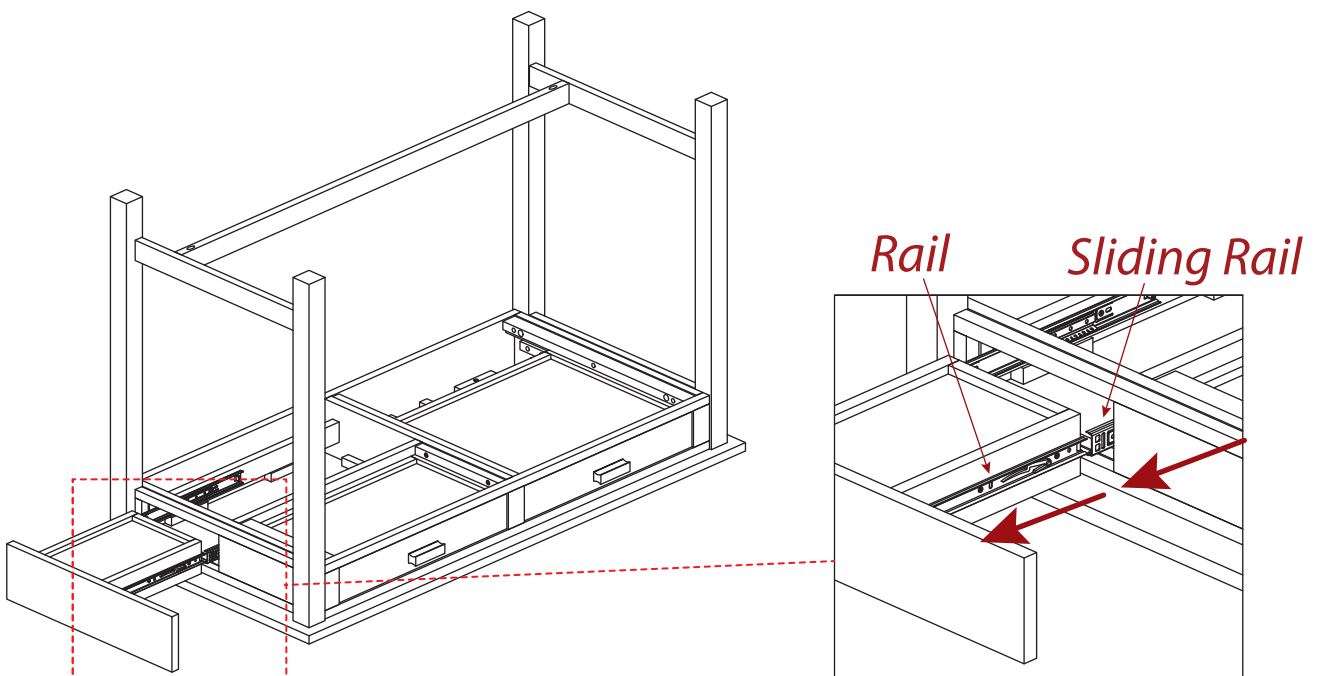


Diagram 3.

Step 3:

Slide the drawer into the position, align the sliding rail in the same straight line as the rail, then slide the unit in the same position as per diagram 3.

WARNING. The hidden compartment is NOT a security safe. The inner contents in the hidden compartment are the sole responsibility of the user and are to be stored at the user's discretion. Regardless of loss, seizure, damage, or changes in condition to the inner contents of the hidden compartment, the manufacturer is not liable for the contents stored in the hidden compartment.

How to use the concealed drawer

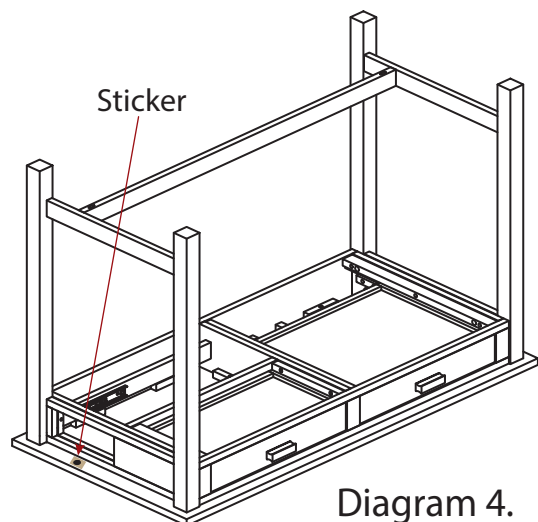


Diagram 4.

The hidden compartment is built in, shipped with the locking bolt (if installed), and is disengaged and unlocked. In order to engage the hidden compartment lock, please remove the sticker which blocks the bolt (see the diagram 4).



This sticker identifies the designated position. Place the magnetic key here to unlock the concealed drawer.

* Before removing the sticker, please note the designated position.

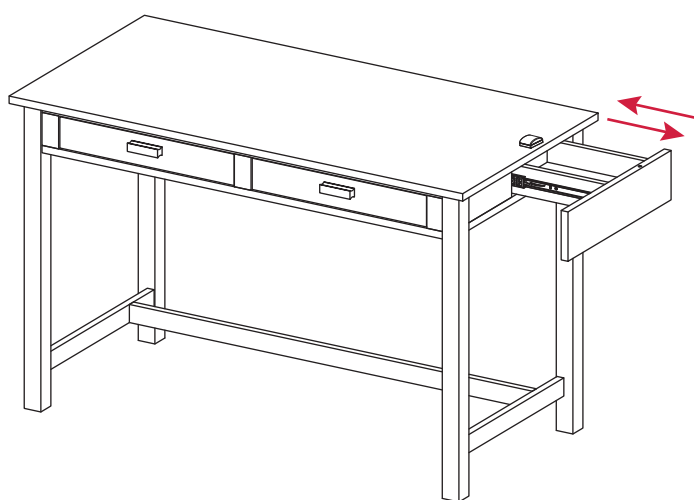


Diagram 5.

Unlock and Open: place the magnetic key onto the assigned position shown above to unlock and pull out the drawer as per diagram 5.

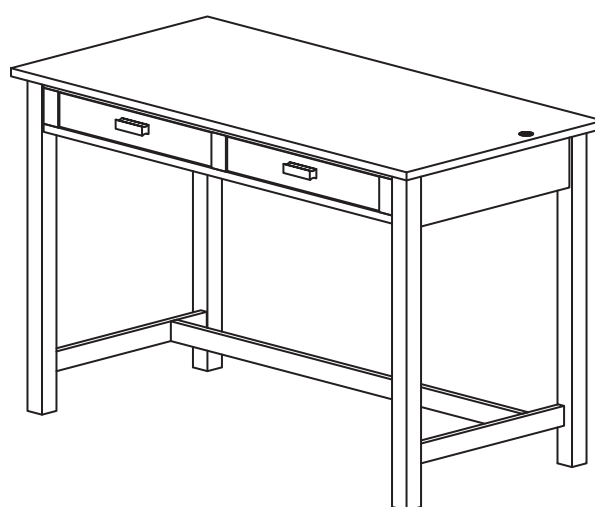


Diagram 6.

Close and Lock: close the drawer and remove the magnetic key from the assigned position to lock the drawer as per diagram 6.