

Pos.	Description	Measurement	Quantity	Item
1	Front part of left sleeping house	1046 x 550 x 25 mm	1	55968-10
2	Front part of right sleeping house	1046 x 550 x 25 mm	1	55968-11
3	Back part of left sleeping house	1046 x 550 x 25 mm	1	55968-20
4	Back part of right sleeping house	1046 x 550 x 25 mm	1	55968-21
5	Side wall of left and right sleeping house	853 x 544 x 35 mm	2	55968-30
6	Right side wall of left sleeping house	501 x 544 x 35 mm	1	55968-31
7	Left side wall of right sleeping house	501 x 544 x 35 mm	1	55968-32
8	Roof plate	674 x 393 x 35 mm	4	55968-50
9	Ridge	700 x 82 x 61 mm	2	55968-51
10	Drawer	477 x 566 x 65 mm	2	55968-40
11	Ramp	657 x 200 x 23 mm	2	55968-41
12	Perch	497 x 35 x 30 mm	2	55968-43
13	Front part of the left and back part of the right nesting box	330 x 296 x 30 mm	2	55968-70
14	Back part of the left and front part of the right nesting box	330 x 296 x 30 mm	2	55968-71
15	Side wall of nesting box	510 x 249 x 22 mm	2	55968-72
16	Roof plate of nesting box	590 x 363 x 30 mm	2	55968-73
17	Bottom plate of nesting box	507 x 329 x 15 mm	2	55968-74
18	Divider of nesting box	336 x 205 x 5 mm	2	55968-75

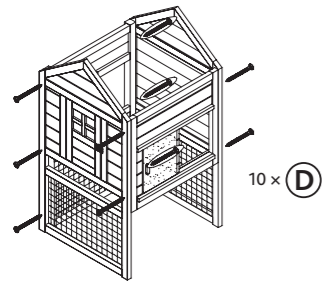
Pos.	Description	Measurement	Quantity	Item
19	Front part of left enclosure	660 x 710 x 25 mm	1	55968-12
20	Front part of right enclosure	660 x 710 x 25 mm	1	55968-13
21	Back part of left enclosure	660 x 710 x 25 mm	1	55968-22
22	Back part of right enclosure	660 x 710 x 25 mm	1	55968-23
23	Divider for enclosure	544 x 710 x 25 mm	1	55968-35
24	Roof part of enclosure, left	590 x 438 x 25 mm	1	55968-56
25	Roof part of enclosure, right	878 x 590 x 25 mm	1	55968-55
26	Support for ramp	235 x 35 x 25 mm	2	55968-42

Pos.	Description	Size	Quantity	Item	
A	Thread screw with nut	∅ 6 x 60 mm	8+1	55968-60	
B	Thread screw with nut	∅ 6 x 50 mm	8+1		
C	Countersunk screw	∅ 4 x 60 mm	12+1		
D	Countersunk screw	∅ 4 x 50 mm	38+1		
E	Countersunk screw	∅ 4 x 35 mm	16+1		
F	Countersunk screw	∅ 4 x 25 mm	8+1		
G	Countersunk screw	∅ 3 x 16 mm	16+1		
H	Right/left check strap	plus 8 screws I for each	1/1		6235-60 6235-61
I	Lenshead screw	∅ 3 x 10 mm	16+1		

Other parts already assembled (spare parts separately available)

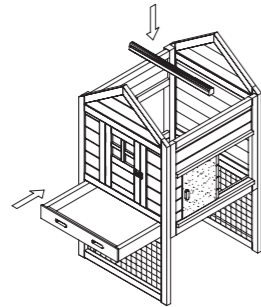
Description	Size	Quantity	Item
Hinges for roofs	7.6 cm	2	55968-60

Fix the front and back parts (1/3) of the left sleeping house to the side walls (5/6).



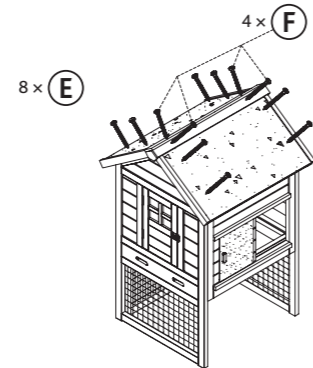
1.

Insert the perch (12) and the drawer (10).



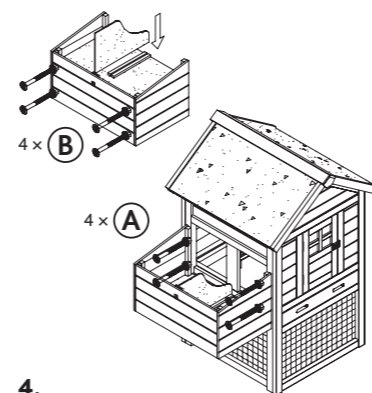
2.

Afterwards fix the roof plates (8) and the ridge (9) to the sleeping house.



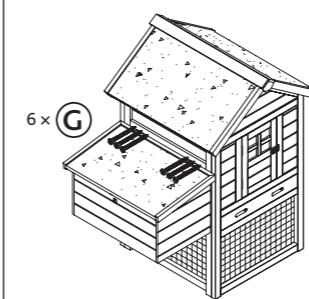
3.

Screw the front and back parts of the nesting box (13/14) to the side wall (15) and the bottom plate (17) of the nesting box. Insert the divider (18).



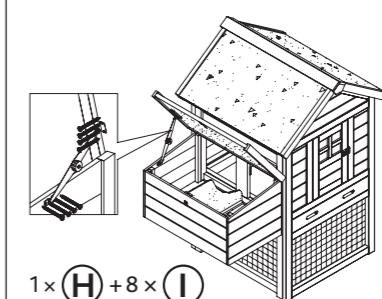
4.

Fix the roof plate (16) to the nesting box.



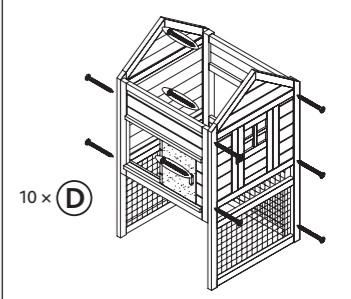
5.

Now attach the left check strap (H) to the roof plate and the side wall.



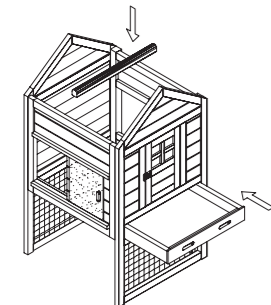
6.

Repeat the same steps for the right sleeping house. First fix the front and back parts (2/4) to the side walls (5/7).



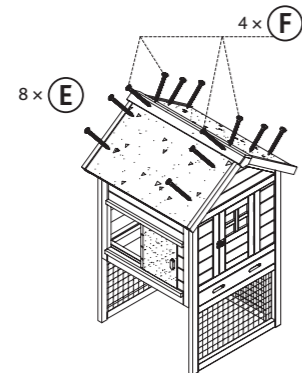
7.

Insert the perch (12) and the drawer (10).



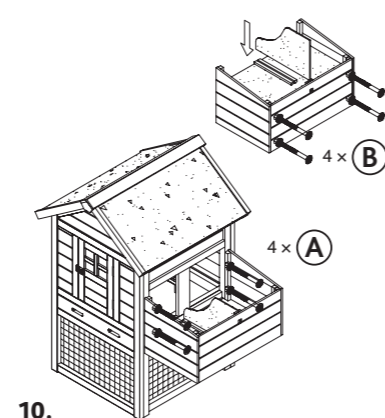
8.

Afterwards fix the roof plates (8) and the ridge (9) to the right sleeping house.



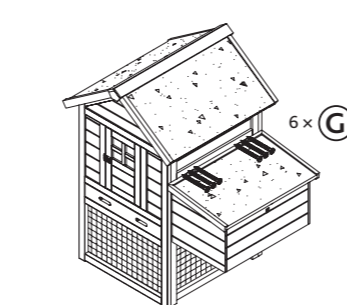
9.

Screw the front and back parts of the nesting box (13/14) to the side wall (15) and the bottom plate (17) of the nesting box. Insert the divider (18).



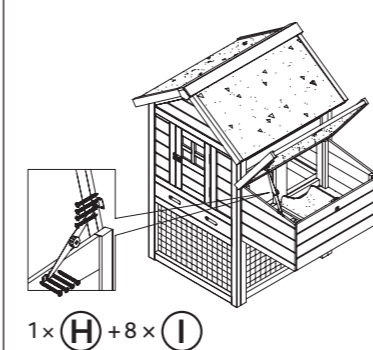
10.

Fix the roof plate (16) to the nesting box.



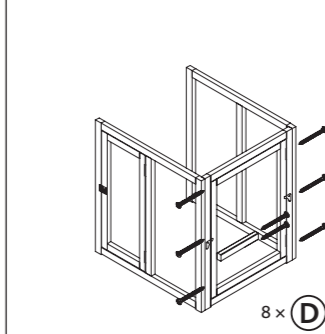
11.

Now attach the right check strap (H) to the roof plate and the side wall.



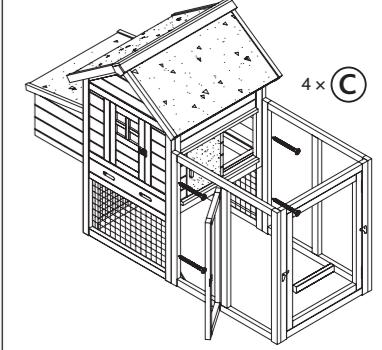
12.

Start mounting the left enclosure. First screw the front part (19) to the divider (23) and the back wall (21). Fix the support for the ramp (26) to the back wall as shown in this picture.



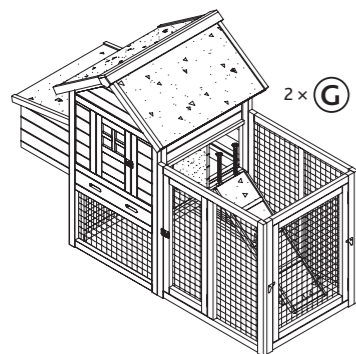
13.

Screw the left enclosure to the left sleeping house.



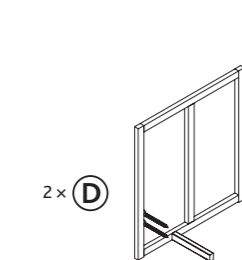
14.

Insert the ramp (11) and fix it to the house.



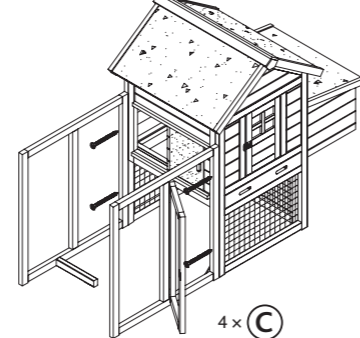
15.

First of all, when starting with the mounting of the right enclosure, fix the support for the ramp (26) to the back wall of the enclosure (22).



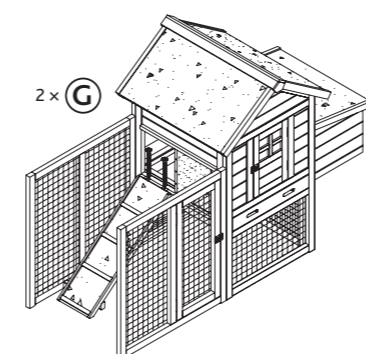
16.

Then screw the front part (20) and the back wall (22) to the right sleeping house



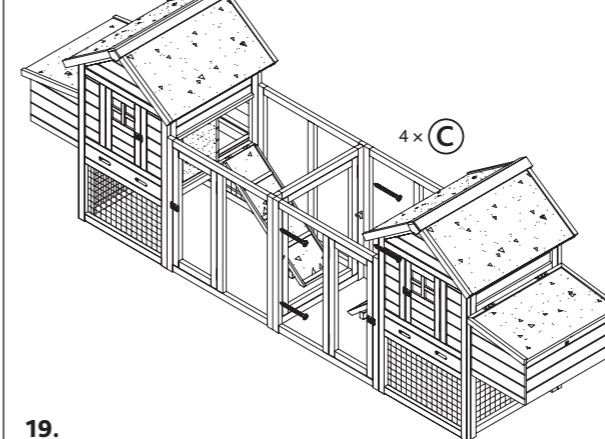
17.

Insert the ramp (11) and fix it to the house.



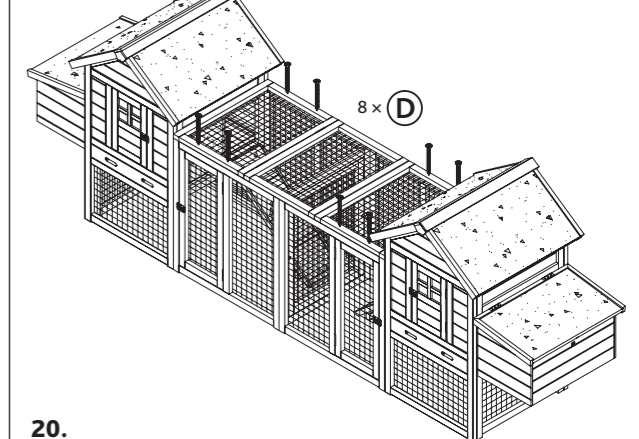
18.

Now screw both parts of the chicken coop together.



19.

At last fix the roof parts (24/25) to the enclosure.



20.