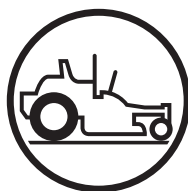


POULAN PRO[®]



Parts Manual

P61ZXT / 967 639601-00

Please read the operator manual carefully and make sure you understand the instructions before using the machine.

Gasoline containing a maximum of 10% ethanol (E10) is permitted for use in this machine. The use of gasoline with more than 10% ethanol (E10) will void the product warranty.



When you need spare parts or support in service questions, warranty issues, etc., please consult the following professional:

This manual belongs to the machine with the manufacturing number:	Engine	Transmission

Manufacturing Number

The machine's manufacturing number can be found on the printed plate affixed to the engine compartment.

Stated on the plate, from the top are:

- The machine's type designation (I.D.).
- The manufacturer's type number (Model).
- The machine's serial number (Serial no.)

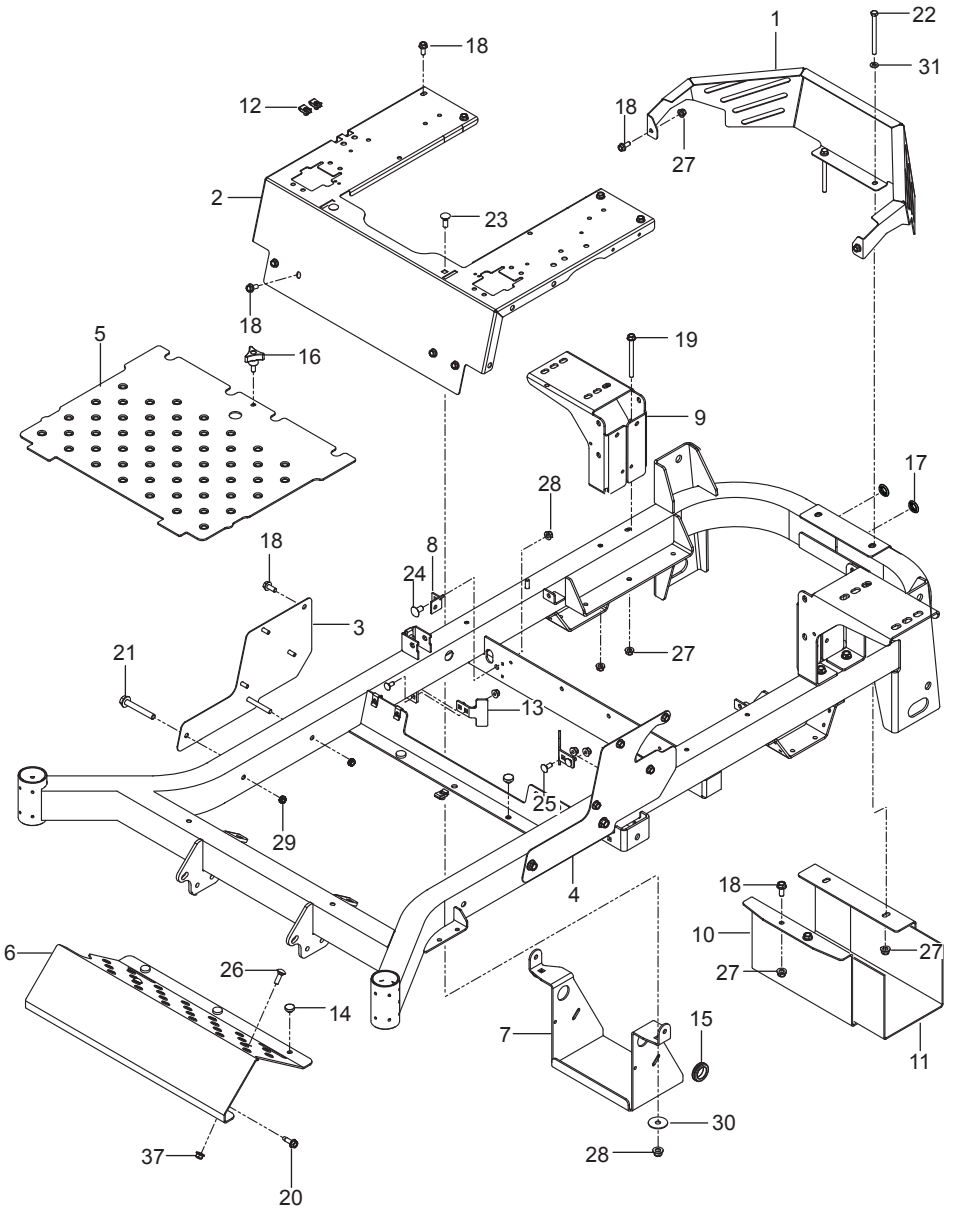
Please have the type designation and serial number available when ordering spare parts.

CONTENTS

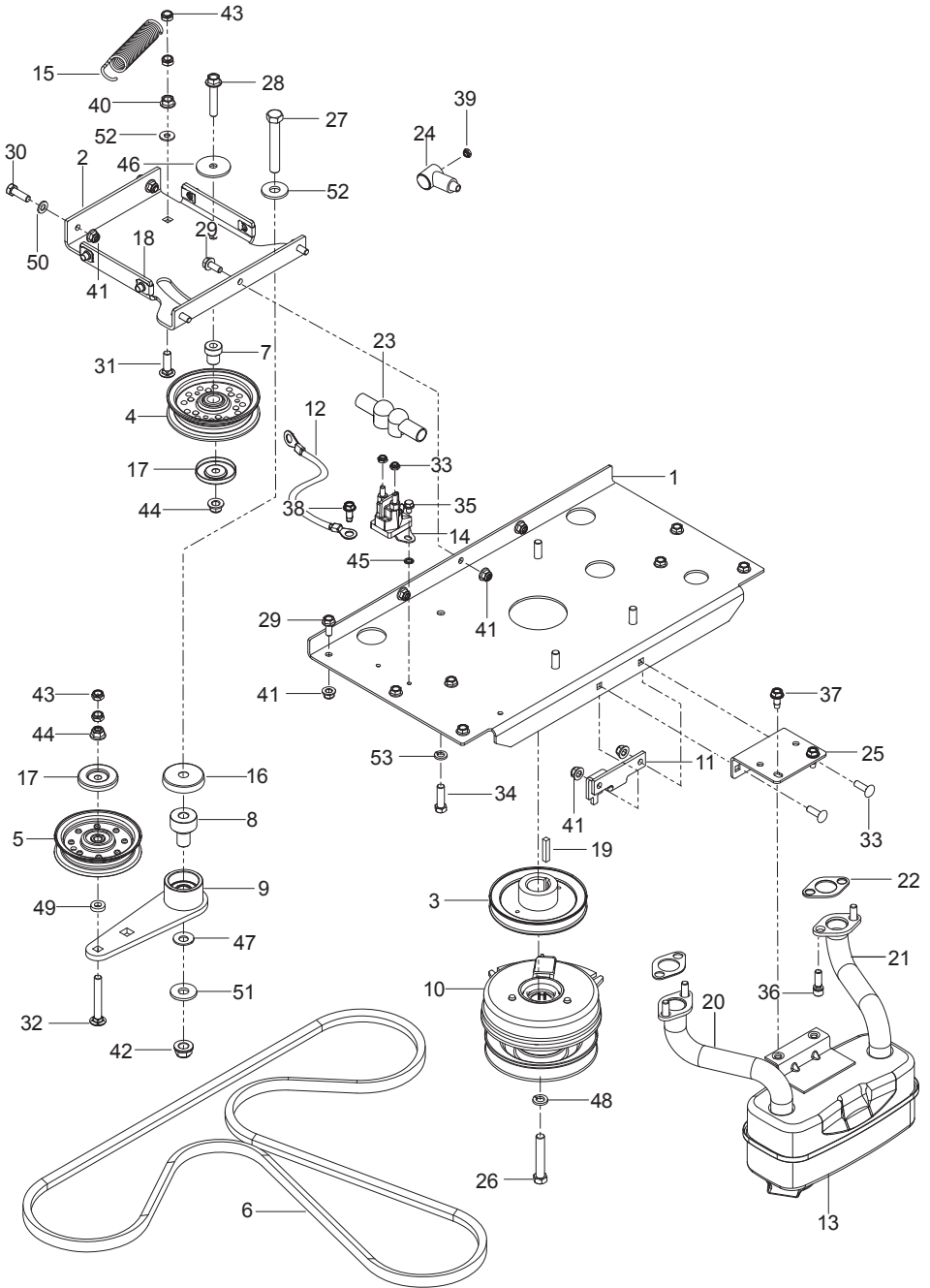
FRAME	4
ENGINE MOUNTING, GUARDS & MUFFLER	6
STEERING	8
IGNITION SYSTEM.....	10
BRAKE	12
HYDRAULIC PUMP-MOTOR.....	14
WHEELS & TIRES	16
MOWER LIFT / DECK LIFT.....	18
MOWER DECK / CUTTING DECK	20
SEAT	22
DECALS	24

Illustrations may or may not represent the actual assemblies and it is not recommended to use this manual as a guide to assemble or disassemble the mower.

NOTE: All fasteners are Grade 5 unless otherwise specified.

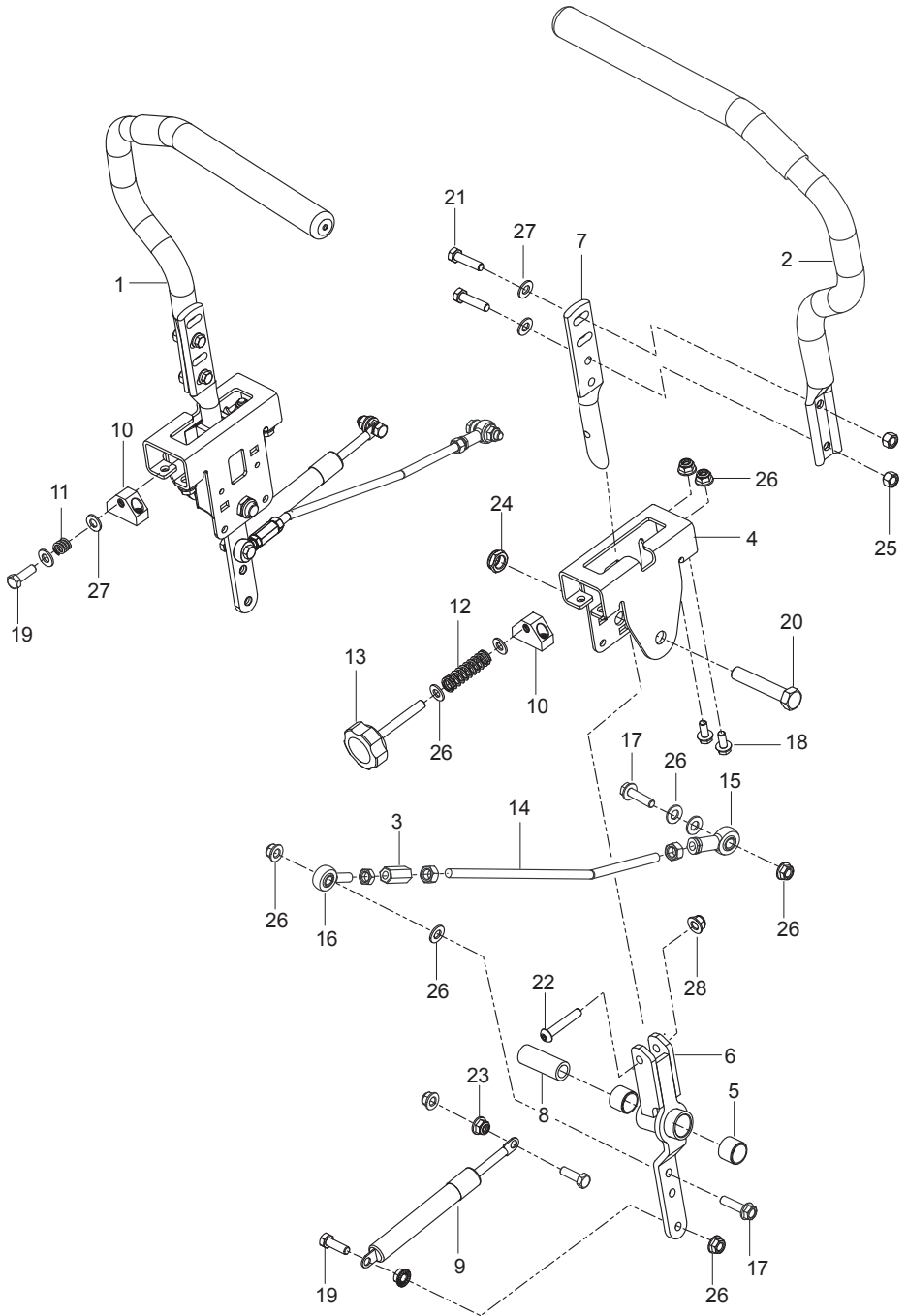


Ref.	Part No.	Qty	Description
1	582 49 77-03	1	Guard, Rear Blk
2	586 86 77-04	1	Support, Seat Blk
3	577 25 97-01	1	Panel, Filler Right Blk
4	577 25 98-01	1	Panel, Filler Left Blk
5	574 89 16-02	1	Plate, Floor Blk
6	521 94 13-04	1	Plate, Foot Rest Blk
7	587 04 87-02	1	Bracket, Battery Blk
8	575 24 52-02	2	Bracket, Dampener
9	575 53 36-02	2	Mount, Tank Blk
10	575 23 04-02	1	Shield, Muffler Blk
11	539 13 28-59	1	Shield, Heat
12	539 10 47-63	8	Retainer, U Type 5/16-18
13	505 25 64-01	2	Stop, Deck
14	539 10 25-87	7	Grommet, Bumper
15	539 10 59-74	1	Grommet, Rubber
16	539 10 44-11	1	Knob w/ Stud
17	587 99 05-01	2	Plug, Frame
18	874 49 05-12	18	Bolt 5/16-18 x 3/4 Hex Flange Head
19	874 49 05-60	4	Bolt 5/16-18 x 3-3/4 Hex Flange Head
20	539 11 32-26	2	Bolt 5/16-18 x 1 Hex Thread Form
21	874 49 06-44	2	Bolt 3/8-16 x 2-3/4 Hex Flange Head
22	539 10 23-35	2	Bolt 5/16-18 x 4 Hex Head
23	872 14 06-08	2	Bolt 3/8-16 x 1 Round Head Square Neck
24	872 05 06-06	2	Bolt 3/8-16 x 3/4 Round Head Square Neck
25	872 14 05-06	2	Bolt 5/16-18 x 3/4 Round Head Square Neck
26	539 99 02-08	3	Bolt 5/16-18 x 1 Round Head Square Neck
27	539 11 28-99	12	Nut 5/16-18 Hex Flange Nyloc
28	521 99 65-01	4	Nut 3/8-16 Hex Flange Nyloc
29	539 20 02-82	6	Nut 3/8-16 Hex Jam Nyloc
30	819 13 24-16	2	Washer, Flat
31	819 11 11-16	2	Washer 5/16 SAE Flat
	Not Shown		
	587 39 07-25	1	Frame Blk

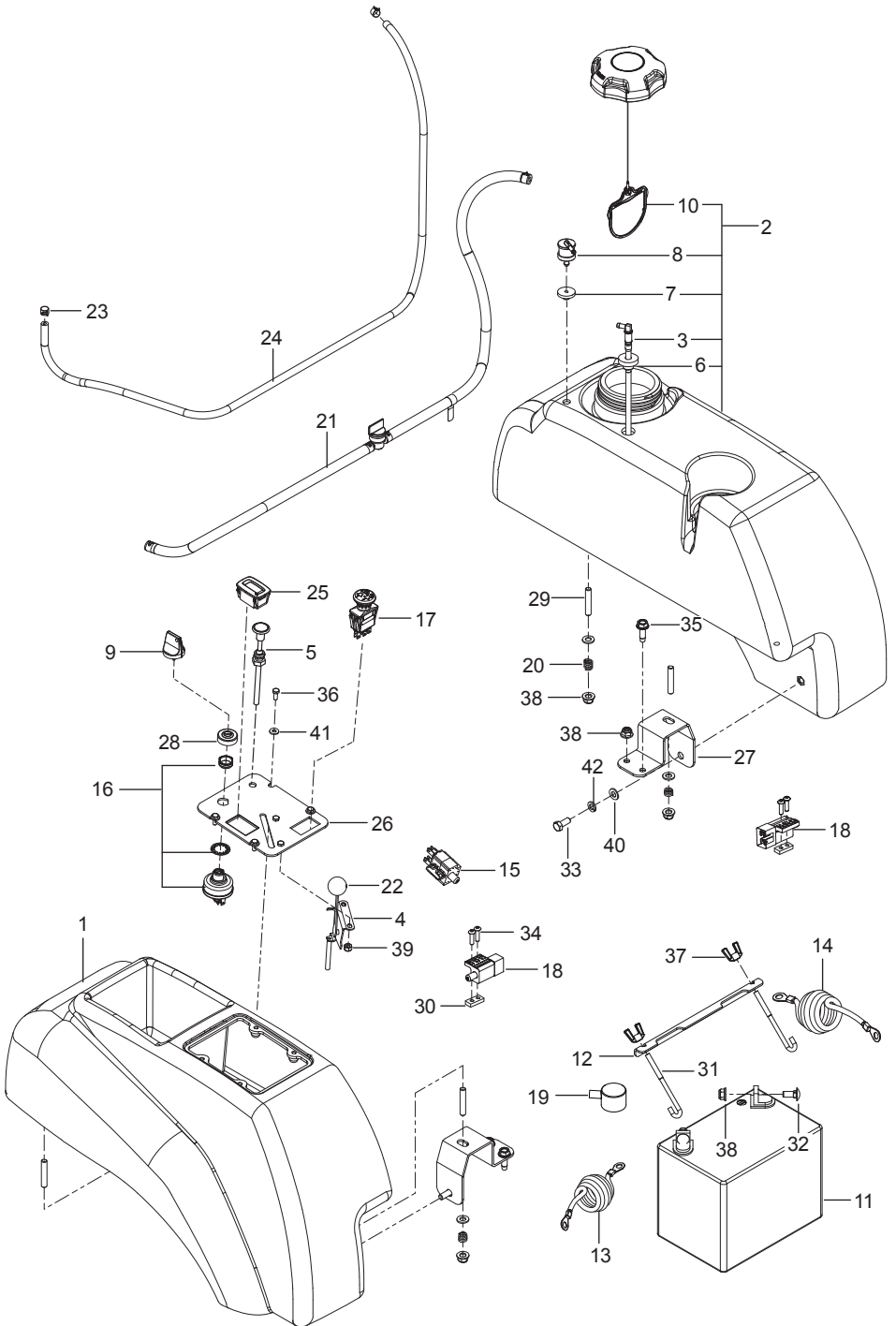


Ref.	Part No.	Qty	Description
1	586 65 14-02	1	Plate, Engine, Blk
2	586 67 04-02	1	Plate, Idler Support, Blk
3	574 81 10-01	1	Pulley, V, 1.125 Bore
4	539 97 66-88	1	Pulley, Idler
5	532 17 58 20	1	Pulley, Idler Secondary
6	574 87 09-01	1	Belt
7	525 43 56-01	1	Pivot, Idler
8	510 20 63-01	1	Pivot, Bearing
9	510 04 16-03	1	Arm, Idler w/ Bearings
10	574 60 70-01	1	Clutch, 200 Ft-Lb
11	575 01 73-02	1	Stop, Clutch Blk
12	539 10 27-57	1	Cable, Positive
13	539 13 16-04	1	Muffler
14	582 04 28-01	1	Solenoid
15	510 25 44-01	1	Spring, Pump
16	539 11 46-62	1	Shield, Dust
17	510 25 45-01	2	Shield, Dust
18	539 10 47-63	4	Retainer, U Type 5/16-18
19	539 91 27-57	1	Key 1/4 Sq x 1-1/4
20	581 88 11-01	1	Tube, Exhaust Left
21	581 88 10-01	1	Tube, Exhaust Right
22	586 83 96-01	2	Gasket, Muffler
23	532 13 15-63	2	Insulator
24	539 10 27-59	1	Insulator
25	575 22 99-02	1	Bracket, Muffler Blk
26	581 33 28-02	1	Bolt 7/16-20 x 2-1/2 Hex Head
27	539 10 34-33	1	Bolt 1/2-13 x 3-1/4 Hex Head
28	874 49 06-32	1	Bolt 3/8-16 x 2 Hex Flange Head
29	874 49 05-12	13	Bolt 5/16-18 x 3/4 Hex Flange Head
30	874 78 05-16	2	Bolt 5/16-18 x 1 Hex Flange Head
31	872 14 06-10	1	Bolt 3/8-16 x 1-1/4 Round Head Square Neck
32	872 14 06-22	1	Bolt 3/8-16 x 2-3/4 Round Head Square Neck
33	872 11 05-08	2	Bolt 5/6-18 x 1 Round Head Square Neck
34	539 97 69-49	4	Bolt 3/8-16 x 1-3/4 Hex Head
35	817 49 04-06	1	Screw 1/4-20 x 3/8 Thread Form
36	532 18 39-06	4	Screw 5/16-18 x 1 Socket Head
37	817 49 05-12	2	Screw 5/16-18 x 3/4 Thread Form
38	817 06 04-10	1	Screw 1/4-20 x 5/8 Thread Form
39	539 10 81-20	3	Nut 1/4-20 Hex Thin
40	539 99 06-13	1	Nut 3/8-16 Hex Whiz Lock
41	539 11 28-99	17	Nut 5/16-18 Hex Flange Nyloc
42	521 99 11-01	1	Nut 1/2-13 Hex Flange Nyloc
43	539 20 02-82	4	Nut 3/8-16 Hex Jam Nyloc
44	521 99 65-01	2	Nut 3/8-16 Hex Flange Nyloc
45	539 99 00-53	1	Washer 1/4 Internal Tooth Lock
46	539 11 18-97	1	Washer, Special
47	539 11 55-28	1	Washer 1/2 Belleville
48	539 99 02-47	1	Washer 7/16 Slotted
49	539 10 95-62	1	Washer 3/8 x 3/4
50	819 11 11-16	2	Washer 5/16 SAE Flat
51	819 18 22-12	2	Washer 1/2 Flat
52	819 14 16-14	1	Washer 3/8 Flat
53	539 99 01-18	4	Washer 3/8 Slotted

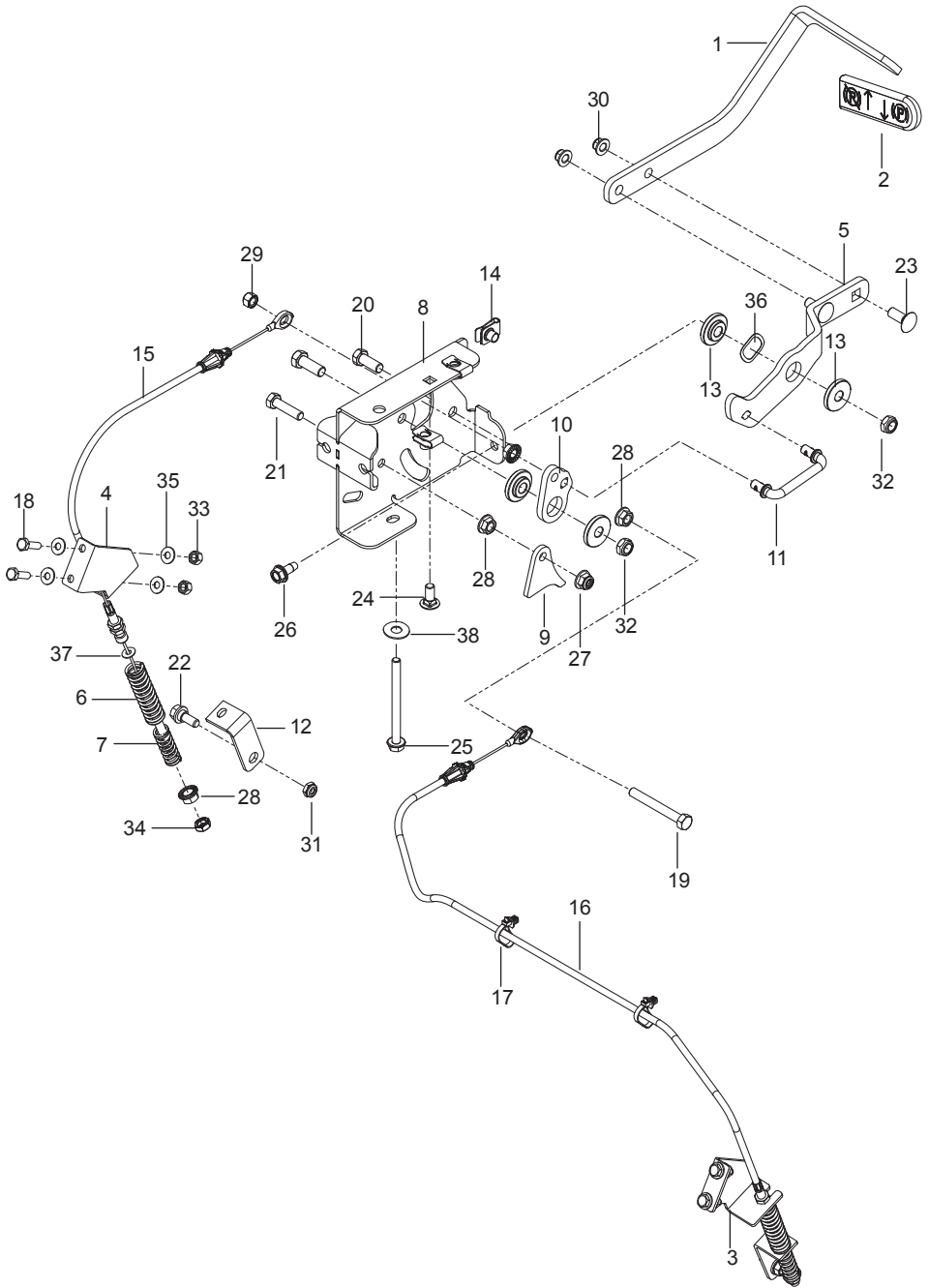
Engine, Briggs & Stratton 49S877 26 HP
For Engine replacement parts, See B&S dealer



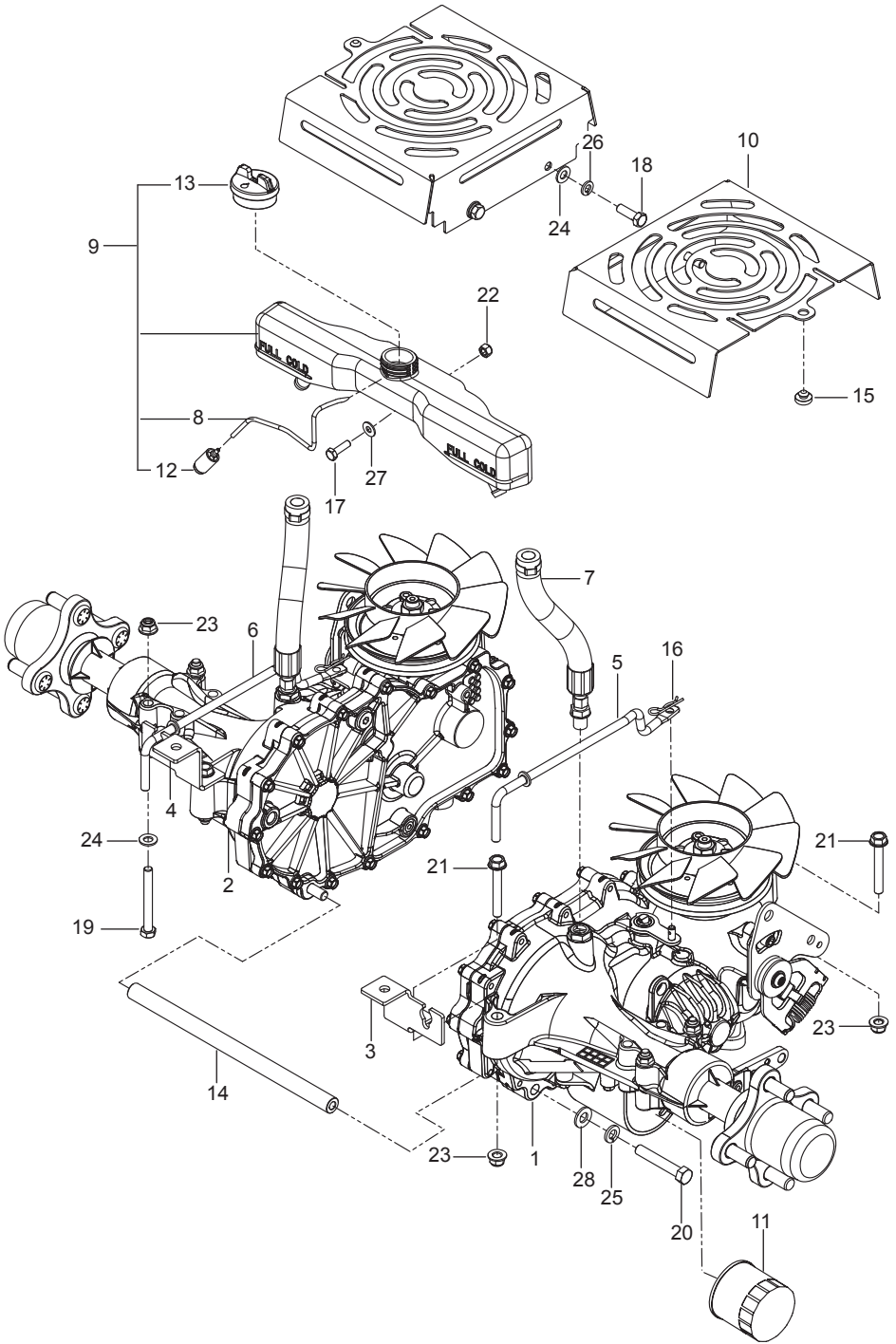
Ref.	Part No.	Qty	Description
1	590 09 08-05	1	Lever w/ Grip Right
2	590 09 08-06	1	Lever w/ Grip Left
3	539 11 66-89	2	Coupler, Rod End
4	585 12 47-05	2	Bracket, Control
5	532 43 82-82	4	Bearing
6	587 18 77 01	2	Lever, Control
7	577 42 00-01	2	Lever, Handle
8	584 92 72-01	2	Spacer, Pivot Control
9	539 10 27-20	2	Dampener
10	581 43 75-01	2	Block, Tracking
11	539 10 28-45	1	Spring
12	576 85 03-01	1	Spring
13	539 13 17-99	1	Knob
14	574 81 14-01	2	Rod, Motion Control
15	539 11 57-29	2	Rod End Right
16	588 69 25-02	2	Rod End Left
17	525 54 40-01	4	Bolt 5/16-18 x 1-1/4 Tap
18	874 49 05 12	8	Bolt 5/16-18 x 3/4 Hex Flange Head
19	874 78 05-20	5	Bolt 5/16-18 x 1-1/4 Hex Head
20	874 78 08 44	2	Bolt 1/2-13 x 2-3/4 Hex Head
21	539 97 69-35	4	Bolt 5/16-18 x 1-1/2 Hex Head
22	576 85 04-02	2	Screw 5/16-18 x 1-3/4 Button Head
23	539 99 05-85	4	Nut 5/16-18 Hex Whiz Lock
24	539 10 80-10	2	Nut 1/2-13 Hex Jam Nyloc Grade 2
25	539 99 07-17	6	Nut 5/16-18 Hex Nyloc
26	539 11 28-99	10	Nut 5/16-18 Hex Flange Nyloc
27	819 11 11-16	12	Washer 5/16 SAE Flat



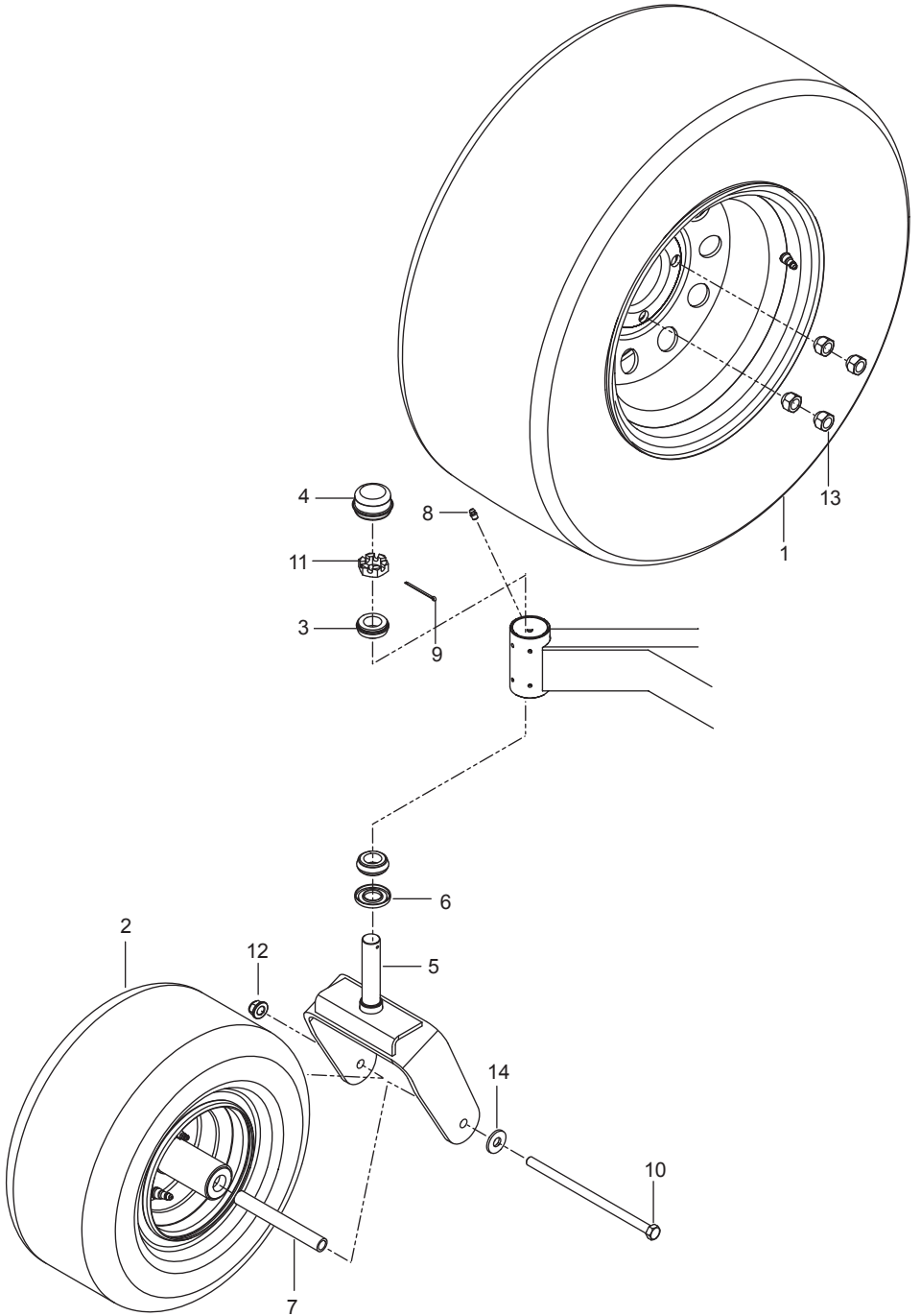
Ref.	Part No.	Qty	Description
1	576 68 37-01	1	Console, Right Blk
2	585 72 23-02	1	Assembly, Tank Left Blk
3	576 46 92-01	1	Fitting, Fuel
4	539 10 27-32	1	Control, Throttle
5	539 11 34-58	1	Control, Choke
6	539 10 52-45	1	Grommet, Rubber
7	576 61 82-01	1	Grommet, Check Valve
8	576 61 81-01	1	Valve, Fuel Check
9	574 45 55-01	1	Key
10	575 01 81-01	1	Fuel Cap w /Tether
11	539 10 24-36	1	Battery
12	588 10 72-01	1	Bracket, Battery Mount
13	588 03 07-01	1	Cable, Battery Pos Red
14	588 03 08-01	1	Cable, Battery Neg Blk
15	532 19 78-02	1	Switch, Brake
16	574 45 54-01	1	Switch, Ignition
17	582 10 76-02	1	Switch, Blade
18	532 10 95-53	2	Switch, Interlock
19	532 43 53-95	1	Cover, Terminal
20	539 10 28-45	6	Spring
21	586 12 39-01	1	Assembly, Fuel Hose
22	539 13 30-49	1	Knob
23	575 43 65-01	2	Clamp, Hose
24	587 04 45-36	1	Hose 3/16 Vapor
25	586 16 18-01	1	Meter, Service
26	574 84 12-04	1	Plate, Console, Blk
27	588 84 32-02	2	Support, Tank Blk
28	539 10 31-78	1	Nutcap, Switch
29	539 10 25-02	6	Stud, Tank
30	581 22 30-01	2	Plate, Nut
31	510 06 40-01	2	Hook, J
32	872 14 05-06	2	Bolt 5/16-18 x 3/4 Round Head Square Neck
33	539 97 69-34	2	Bolt 5/16-18 x 3/4 Hex Head
34	574 82 27-01	4	Screw #10-24 x 3/4 Socket Head
35	539 99 04-11	6	Screw #10-24 x 1/2 Slotted Hex Head
36	817 49 05-16	3	Screw 5/16-18 x 1 Washer Head
37	539 99 09-97	2	Nut 1/4-20 Wing Nut Nyloc
38	539 11 28-99	13	Nut 5/16-18 Hex Flange Nyloc
39	539 97 69-77	2	Nut #10-24 Hex Nylon Ring
40	819 11 11-16	8	Washer 5/16 SAE Flat
41	819 07 08-18	4	Washer 1/2 18 Gauge
42	539 99 01-87	2	Washer, Slotted Lock
	Not Shown		
	589 66 99-01	1	Harness, Wiring



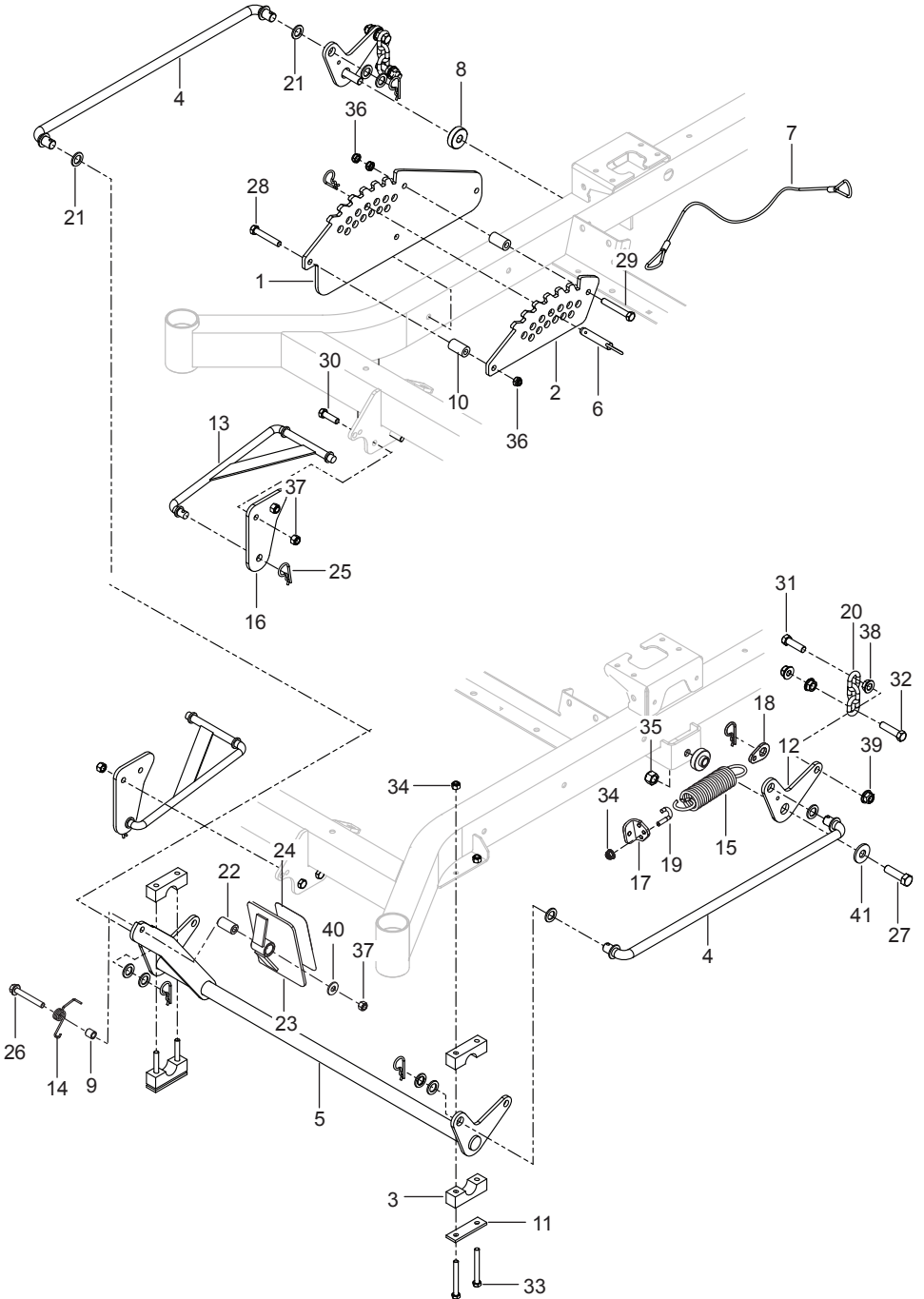
Ref.	Part No.	Qty	Description
1	539 13 21-51	1	Arm, Brake
2	539 10 50-36	1	Grip, Brake Handle
3	575 22 96-02	1	Bracket, Right Blk
4	575 22 97-02	1	Bracket, Left Blk
5	586 73 88-02	1	Lever, Brake
6	575 23 02-01	2	Spring, Return
7	575 23 03-01	2	Spring, Engagement
8	586 83 00-02	1	Mount, Brake
9	539 13 21-54	1	Actuator, Switch
10	539 13 21-53	1	Bellcrank, Brake
11	539 13 24-24	1	Linkage, Brake
12	575 22 98-02	2	Bracket, Brake
13	539 13 21-61	4	Bushing, Brake
14	539 10 47-63	3	Retainer, U Type 5/16-18
15	582 12 18-01	1	Cable, Brake Short
16	582 12 20-01	2	Cable, Brake Long
17	505 28 00-01	2	Tie Wrap w/ Clip
18	539 99 06-43	4	Bolt 1/4-20 x 7/8 Hex Head
19	539 10 83-96	1	Bolt 5/16-18 x 2-1/2 Hex Head Tap
20	539 99 05-63	2	Bolt 3/8-16 x 1 Hex Head
21	539 99 02-09	1	Bolt 5/16-18 x 1 Hex Head
22	539 11 03-03	2	Bolt 5/16 Shoulder
23	872 14 06-08	2	Bolt 3/8-16 x 1 Round Head Square Neck
24	539 99 03-16	1	Bolt 5/16-18 x 3/4
25	539 13 17-80	1	Bolt 5/16-18 x 3-3/4 Hex Flange Head
26	874 49 05-12	1	Bolt 5/16-18 x 3/4 Hex Flange Head
27	539 11 28-99	2	Nut 5/16-18 Hex Flange Nyloc
28	539 99 05-85	5	Nut 5/16-18 Hex Whiz Lock
29	539 99 07-17	1	Nut 5/16-18 Hex Nyloc
30	521 99 65-01	2	Nut 3/8-16 Hex Flange Nyloc
31	539 11 56-17	2	Nut 5/16 Hex Nyloc
32	539 20 02-82	2	Nut 3/8-16 Hex Jam Nyloc
33	539 97 69-78	4	Nut 1/4-20 Hex Nyloc
34	539 10 78-97	2	Nut 5/16-18 Hex Jam
35	539 99 00-55	8	Washer 1/4 SAE Flat
36	539 13 30-07	1	Washer, Wave
37	539 99 01-22	2	Washer 3/8 SAE
38	819 18 22-12	1	Washer 1/2



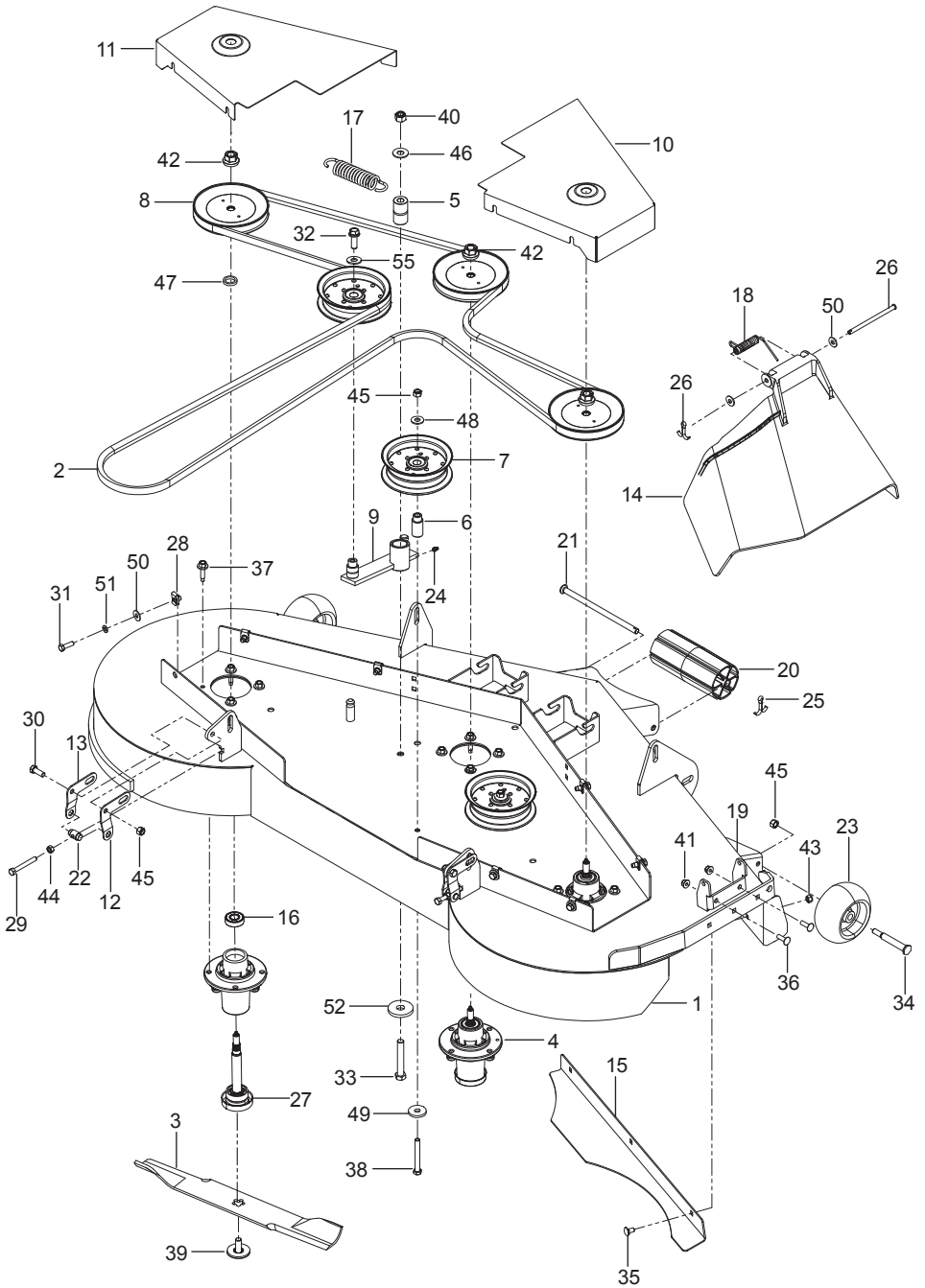
Ref.	Part No.	Qty	Description
1	577 22 77-02	1	Trans, ZT-3100, Left
2	577 22 77-01	1	Trans, ZT-3100, Right
3	575 01 71-02	1	Bracket, Trans, Left
4	575 01 70-02	1	Bracket, Trans, Right
5	539 13 16-16	1	Linkage, Bypass Left
6	539 13 16-18	1	Linkage, Bypass Right
7	574 89 21-01	2	Hose, Expansion
8	586 06 75-01	1	Hose, Fuel
9	585 31 82-01	1	Tank, Expansion
10	584 99 42-02	2	Cover, Fan
11	539 11 34-66	2	Filter, Hydro
12	530 09 56-46	1	Filter
13	586 07 27-01	1	Cap, Tank
14	574 86 85-01	1	Tube, Spacer
15	539 10 25-87	2	Grommet, Bumper
16	539 97 69-88	2	Hairpin Cotter
17	539 99 06-43	1	Bolt 1/4-20 x 7/8 Hex Head
18	539 99 02-09	4	Bolt 5/16-18 x 1 Hex Head
19	874 78 05-44	4	Bolt 5/16-18 x 2-3/4 Hex Head
20	539 10 85-51	2	Bolt 3/8-16 x 2-1/2 Hex Head Grade 8
21	574 23 38-01	4	Bolt 5/16-18 x 2-1/4 Hex Flange Head
22	539 97 69-78	1	Nut 1/4-20 Hex Nyloc
23	539 11 28-99	8	Nut 5/16-18 Hex Flange Nyloc
24	539 99 01-88	8	Washer 5/16 SAE Flat
25	539 99 01-18	2	Washer 3/8 Split Lock
26	539 99 01-87	4	Washer 5/16 Slotted Lock
27	539 99 00-55	1	Washer 1/4 SAE Flat
28	539 99 01-22	2	Washer 3/8 SAE Flat



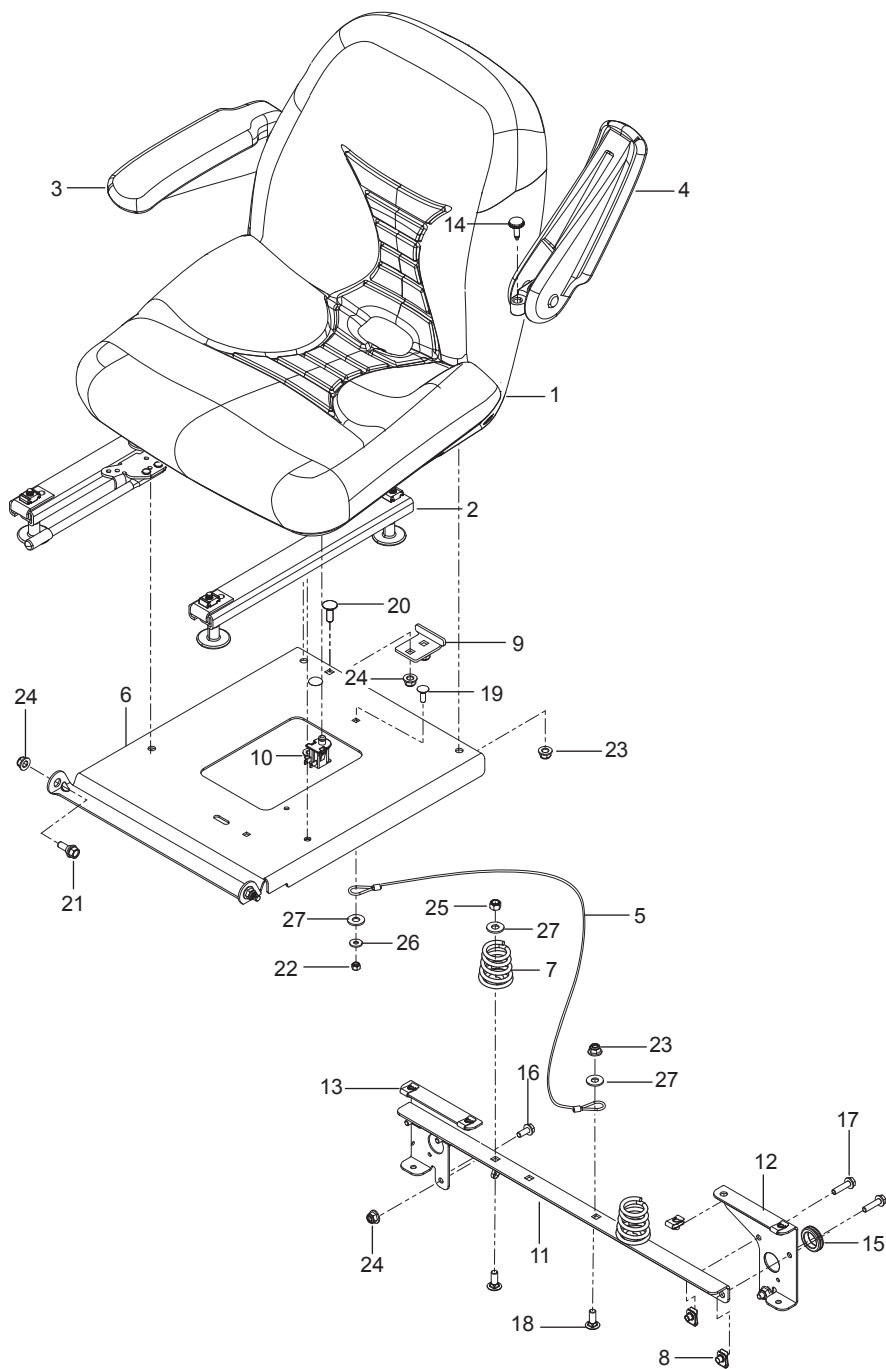
Ref.	Part No.	Qty	Description
1	580 74 70 03	2	Assembly, Wheel 22 x 10-10 Blk
	582 74 63-01	2	Tire 22 x 10-10
2	581 19 95-03	2	Assembly, Wheel 13 x 6.5 Blk
3	539 10 25-43	4	Bearing
4	539 10 25-35	2	Cap, Grease
5	586 92 19-05	2	Yoke, Caster Blk
6	539 10 28-51	2	Seal
7	575 33 49-01	2	Spacer, Pivot
8	539 10 14-74	2	Zerk
9	539 10 28-89	2	Pin 1/8 x 2 Cotter
10	539 10 55-17	2	Bolt 1/2-13 x 9-1/2 Hex Head
11	539 10 28-52	2	Nut 1-14 Slotted Jam
12	521 99 11-01	2	Nut 1/2-13 Hex Flange Nyloc
13	539 10 11-73	8	Nut 1/2-20 Lug
14	539 10 95-54	2	Washer 1/2 Flat



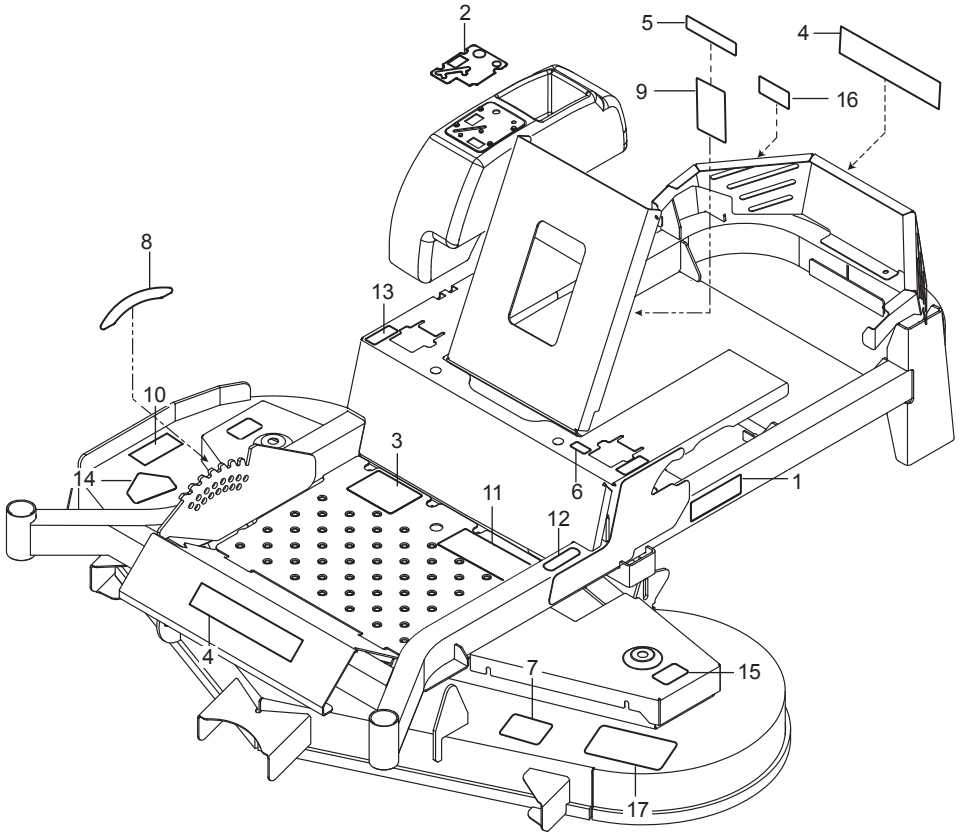
Ref.	Part No.	Qty	Description
1	539 13 30-04	1	Plate, Height, Main
2	539 13 28-99	1	Plate, Height
3	539 10 48-08	4	Pillow Block
4	539 11 08-08	2	Link, Lift
5	584 41 26-01	1	Shaft, Lift
6	539 10 25-26	1	Pin, Lift
7	539 10 50-59	1	Lanyard
8	586 70 17-01	2	Spacer, Idler
9	539 13 28-52	1	Spacer
10	539 10 45-30	2	Spacer
11	584 39 27-02	2	Bar, Reinforcement
12	539 13 23-78	2	Bellcrank, Rear
13	539 11 22-23	2	Linkage, Strut
14	539 13 28-50	1	Spring, Torsion
15	539 10 26-42	1	Spring
16	539 13 20-17	2	Bracket, Strut
17	539 13 17-91	1	Mount, Spring
18	539 13 17-92	1	Tab, Spring
19	539 11 28-96	1	J-Bolt
20	539 10 96-93	4	Lift Chain, 3 Link
21	539 99 10-43	10	Bushing, .625
22	539 10 18-36	1	Bushing, Sleeve
23	539 11 42-80	1	Pedal, Foot
24	539 12 13-22	1	Pad, Foot
25	539 11 55-01	7	Cotter Pin
26	874 49 06-44	1	Bolt 3/8-16 x 2-3/4 Hex Flange Head
27	539 10 81-81	2	Bolt 1/2-13 x 1-3/4 Hex Head Grade 8
28	539 99 06-29	1	Bolt 3/8-16 x 2-1/4
29	539 99 06-37	1	Bolt 3/8-16 x 2-1/2
30	539 99 05 63	4	Bolt 3/8-16 x 1
31	539 10 11-75	4	Bolt 7/16-14 x 1-1/2
32	539 10 80-73	4	Bolt 7/16-14 x 1-3/4
33	539 10 17-21	4	Bolt 5/16-18 x 2-3/4
34	539 11 28-99	9	Nut 5/16-18 Flange Nyloc
35	539 10 13-31	2	Nut 1/2 Hex Nyloc
36	539 20 02-82	3	Nut 3/8-16 Hex Jam Nyloc
37	539 97 69-79	5	Nut 3/8-16 Hex Nyloc
38	539 10 25-82	8	Nut 7/16-14 Hex Whiz Lock
39	539 13 20-19	8	Nut 7/16-14 Hex Whiz Lock Smooth
40	539 99 05-17	1	Washer 3/8 Flat
41	819 18 22-12	2	Washer 1/2 Flat



Ref.	Part No.	Qty	Description
1	501 65 60-03	1	Deck w/ Safety Decals Blk
2	539 10 43-35	1	Belt, Deck
3	539 11 33-12	3	Blade, 21"
4	539 11 21-70	3	Assembly, Spindle
5	539 10 34-27	1	Bushing, Pivot
6	539 11 21-69	2	Bushing, Idler
7	539 13 27-28	3	Pulley, Idler
8	539 11 33-00	3	Pulley
9	539 11 49-52	1	Arm, Idler
10	587 48 09-02	1	Belt Shield, Right Blk
11	587 48 08-02	1	Belt Shield, Left Blk
12	584 85 94-02	2	Pitch Adjust, Right
13	584 85 94-04	2	Pitch Adjust, Left
14	539 11 07-34	1	Chute, Discharge
15	539 11 33-17	1	Plate, Confinement
16	532 11 04-85	3	Bearing, Ball
17	539 10 32-56	1	Spring
18	539 11 07-35	1	Spring, Torsion
19	581 60 60-05	1	Bracket Blk
20	532 17 60-66	1	Roller, Nose
21	532 17 91-27	1	Rod, Roller, Nose
22	539 13 18-59	2	Trunion, Pitch
23	532 13 39-57	2	Wheel, Gauge
24	539 97 69-98	1	Zerk
25	539 99 03-65	2	Pin 1/8 x 3/4 Cotter
26	539 11 07-36	1	Pin 5/16 Clevis
27	532 18 72-91	3	Shaft, Spindle
28	539 10 47-63	8	Retainer, U Type 5/16-18
29	539 10 83-96	2	Bolt 5/16-18 x 2-1/2 Hex Head Tap
30	539 99 05-63	2	Bolt 3/8-16 x 1 Hex Head
31	539 97 69-34	8	Bolt 5/16-18 x 3/4 Hex Head
32	539 99 05-82	1	Bolt 3/8-16 x 1 Whiz Lock Hex Head
33	539 10 34-33	1	Bolt 1/2-13 x 3-1/4 Hex Head
34	532 13 76-44	2	Bolt 3/8-16 x 3-3/8 Shoulder
35	539 99 07-99	3	Bolt 5/16-18 x 5/8 Round Head Square Neck
36	872 11 05-08	2	Bolt 5/16-18 x 1 Round Head Square Neck
37	584 95 39-01	12	Bolt, Washer Head
38	874 78 06-48	2	Bolt 3/8-16 x 3 Hex Head
39	532 19 30-03	3	Bolt 7/16 Blade
40	539 10 13-31	1	Nut 1/2 Hex Nyloc
41	539 11 28-99	2	Nut 5/16-18 Hex Flange Nyloc
42	532 40 02-34	3	Nut 9/16 Top Center Lock
43	539 99 07-17	3	Nut 5/16-18 Hex Nyloc
44	539 99 01-96	2	Nut 5/16-18 Hex
45	539 97 69-79	6	Nut 3/8-16 Hex Nyloc
46	539 99 05-50	1	Washer 1/2 Flat
47	532 18 76-90	3	Washer, Spacer
48	819 14 16-14	3	Washer 3/8 Flat
49	539 10 65-04	2	Washer, Heavy
50	539 99 06-92	11	Washer 5/16 Flat
51	539 10 96-00	8	Washer 5/16 Spring
52	539 10 22-43	1	Washer, Support



Ref.	Part No.	Qty	Description
1	539 13 08-73	1	Assembly, Seat
2	539 11 20-37	1	Rail Set
3	539 11 20-35	1	Arm Rest Right
4	539 11 20-36	1	Arm Rest Left
5	539 10 32-47	1	Lanyard, Seat
6	501 76 21-03	1	Mount, Seat Blk
7	589 48 35-01	2	Spring, Seat Blk
8	539 10 47-63	8	Retainer, U Type 5/16-18
9	539 13 07-93	1	Stop, Seat
10	532 42 10-62	1	Switch, Seat
11	584 80 91-02	1	Support, Seat Blk
12	584 99 01-02	1	Support, Right Blk
13	584 99 02-02	1	Support, Left Blk
14	588 99 39-01	2	Knob, Armrest
15	539 10 59-74	1	Grommet Rubber
16	874 49 05-12	2	Bolt 5/16-18 x 3/4 Hex Flange Head
17	525 54 40-01	4	Bolt 5/16-18 x 1-1/4 Hex Flange Head
18	539 99 06-45	3	Bolt 3/8-16 x 1 Round Head Square Neck
19	539 11 56-20	1	Bolt 1/4-20 x 3/4 Round Head Square Neck
20	872 05 05-06	2	Bolt 5/16-18 x 3/4 Round Head Square Neck
21	539 13 08-96	2	Bolt 5/16-18 Shoulder
22	873 80 04-00	1	Nut 1/4-20 Hex Nyloc
23	521 99 65-01	2	Nut 3/8-16 Hex Flange Nyloc
24	539 11 28-99	6	Nut 5/16-18 Hex Flange Nyloc
25	873 80 06-00	2	Nut 3/8-16 Hex Nyloc
26	819 09 12-16	1	Washer 1/4 Flat
27	819 14 16-14	4	Washer 3/8 Flat



Ref.	Part No.	Qty	Description
1	589 73 59-01	1	Decal, P61ZXT
2	582 68 24-01	1	Decal, Console PoulanPro
3	587 49 41-01	1	Decal, Start
4	582 67 74-01	1	Decal, Brand
5	539 10 57-45	1	Decal, Battery Warning
6	501 26 12-01	2	Decal, Tracking
7	539 11 26-20	1	Decal, Belt Routing
8	587 60 93-01	1	Decal, Height Adjust
9	539 13 21-87	1	Decal, Service
10	581 72 44-01	1	Decal, Deflector
11	583 93 40-01	1	Decal, Warning
12	501 26 13-01	2	Decal, Park Brake
13	587 60 90-01	2	Decal, Motion Control
14	584 90 46-01	1	Decal, Danger Belt Drive
15	581 72 43-01	1	Decal, No Step
16	539 10 57-44	1	Decal, Belt Warning
17	539 97 77-78	1	Pad, Abrasive

POULAN PRO

2018-01-01