



Owner's Manual

6000 WATT PROPANE GENERATOR



HAVE QUESTIONS OR NEED SERVICE
DO NOT RETURN TO STORE!
888.896.6881



Please read and save these instructions.

6000W Propane Generator

Table of Contents

Topic	Page
Limited Warranty	3
Safety Guidelines	5
General Precautions	6
Assembly	15
Battery	17
Propane Connection	18
Operation/Starting Generator	19
Inspection, Cleaning and Maintenance	25
Installation	26
Compliance	28
Specifications	29
Parts List	30



WARNING! READ AND UNDERSTAND ALL SAFETY PRECAUTIONS IN THIS MANUAL BEFORE OPERATING. FAILURE TO COMPLY WITH INSTRUCTIONS IN THIS MANUAL COULD RESULT IN PERSONAL INJURY, PROPERTY DAMAGE, AND/ OR VOIDING OF YOUR WARRANTY. ALL-POWER AMERICA WILL NOT BE LIABLE FOR ANY DAMAGE BECAUSE OF FAILURE TO FOLLOW THESE INSTRUCTIONS.

WARNING

**DO NOT TO OPERATE THE GENERATOR IN ENCLOSED SPACES, GARAGES, BASEMENTS, CRAWL SPACES AND OTHER LOCATIONS WHERE CARBON MONOXIDE GAS CAN COLLECT AND CAUSE DEATH OR INJURY.
IMPORTANT SAFETY INSTRUCTION**

Owner's Manual

Limited Warranty

All-Power America warrants to the original purchaser who uses the product in a consumer application (personal, residential or household usage) that all products covered under this warranty are free from defects in material and workmanship for one year from the date of purchase. All products covered by this limited warranty which are used in commercial applications (i.e. income producing) are warranted to be free of defects in material and workmanship for 90 days from the date of original purchase. Products covered under this warranty include air compressors, air tools, service parts, pressure washers, and generators.

All-Power America will repair or replace, at All-Power America's sole option, products or components which have failed within the warranty period. Service will be scheduled according to the normal work flow and business hours at the service center location, and the availability of replacement parts. All decisions of All-Power America with regard to this limited warranty shall be final.

This warranty gives you specific legal rights, and you may also have other rights which vary from state to state.

RESPONSIBILITY OF ORIGINAL PURCHASER (initial User):

- To process a warranty claim on this product, DO NOT return item to the retailer. The product must be evaluated by an Authorized Warranty Service Center. For the location of the nearest Authorized Warranty Service Center contact the retailer or place of purchase.
- Retain original cash register sales receipt as proof of purchase for warranty work.
- Use reasonable care in the operation and maintenance of the product as described in the Owners Manual(s).
- Deliver or ship the product to the nearest Authorized Warranty Service Center. Freight costs, if any, must be paid by the purchaser.
- Air compressors with 60 and 80 gallon tanks will be inspected at the site of installation. Contact the nearest Authorized Warranty Service Center that provides on-site service calls for service call arrangements.
- If the purchaser does not receive satisfactory results from the Authorized Warranty Service Center, the purchaser should contact All-Power America.

6000W Propane Generator

Limited Warranty (cont'd)

THIS WARRANTY DOES NOT COVER:

- Merchandise sold as reconditioned, used as rental equipment, or floor or display models.
- Merchandise that has become damaged or inoperative because of ordinary wear, misuse, cold, heat, rain, excessive humidity, freeze damage, use of improper chemicals, negligence, accident, failure to operate the product in accordance with the instructions provided in the Owners Manual(s) supplied with the product, improper maintenance, the use of accessories or attachments not recommended by All-Power America, or unauthorized repair or alterations.
- Repair and transportation costs of merchandise determined not to be defective.
- Costs associated with assembly, required oil, adjustments or other installation and start-up costs.
- Expendable parts or accessories supplied with the product which are expected to become inoperative or unusable after a reasonable period of use. (Example: Battery, Spark Plug, Air Filter)
- Merchandise sold by All-Power America which has been manufactured by and identified as the product of another company, such as gasoline engines. The product manufacturer's warranty, if any, will apply.
- ANY INCIDENTAL, INDIRECT OR CONSEQUENTIAL LOSS, DAMAGE, OR EXPENSE THAT MAY RESULT FROM ANY DEFECTS, FAILURE OR MALFUNCTION OF THE PRODUCT IS NOT COVERED BY THIS WARRANTY.
Some states do not allow the exclusion, so it may not apply to you.
- IMPLIED WARRANTIES, INCLUDING THOSE OF MERCHANTABILITY OR FITNESS FOR A PARTICULAR PURPOSE, ARE LIMITED TO ONE YEAR FROM THE DATE OF ORIGINAL PURCHASE. Some states do not allow limitations on how long an implied warranty lasts, so the above limitations may not apply to you.

Owner's Manual

Safety Guidelines-Definitions

This manual contains important information that you need to know and understand in order to protect YOUR SAFETY and to PREVENT EQUIPMENT PROBLEMS. The following symbols help you recognize this information. Please read the manual and pay attention to these sections.

Save These Important Safety Instructions!

Read and understand all of these safety instructions.
Be sure to retain them for future use.



WARNING! WARNINGS INDICATE A CERTAINTY OR STRONG POSSIBILITY OF PERSONAL INJURY OR DEATH IF INSTRUCTIONS ARE NOT FOLLOWED.



CAUTION: CAUTIONS INDICATE A POSSIBILITY OF EQUIPMENT DAMAGE IF INSTRUCTIONS ARE NOT FOLLOWED.



NOTE: NOTES GIVE HELPFUL INFORMATION



WARNING! IMPROPER OPERATION OR MAINTENANCE OF THIS PRODUCT COULD RESULT IN SERIOUS INJURY AND PROPERTY DAMAGE. READ AND UNDERSTAND ALL WARNINGS AND OPERATING INSTRUCTIONS BEFORE USING THIS EQUIPMENT. WHEN USING GENERATORS, BASIC SAFETY PRECAUTIONS SHOULD ALWAYS BE FOLLOWED TO REDUCE THE RISK OF PERSONAL INJURY.

6000W Propane Generator

General Precautions



WARNING! FAILURE TO FOLLOW THESE INSTRUCTIONS CAN RESULT IN SEVERE INJURY OR DEATH.



DANGER **Carbon Monoxide**

Using a generator indoors WILL KILL YOU IN MINUTES.



Carbon Monoxide

Generator exhaust contains high levels of carbon monoxide (CO), a poisonous gas you cannot see or smell. If you can smell the generator exhaust, you are breathing CO. But even if you cannot smell the exhaust, you could be breathing CO.

- NEVER use a generator inside homes, garages, crawlspaces, or other partly enclosed areas. Deadly levels of carbon monoxide can build up in these areas. Using a fan or opening windows and doors does NOT supply enough fresh air.
- ONLY use a generator outdoors and far away from open windows, doors, and vents. These openings can pull in generator exhaust.

Even when you use a generator correctly, CO may leak into the home. ALWAYS use a battery-powered or battery-backup CO alarm in the home.

If you start to feel sick, dizzy, or weak after the generator has been running, move to fresh air RIGHT AWAY. See a doctor. You could have carbon monoxide poisoning.

Fuel and Oil

This product requires oil and fuel. Attempting to start the engine without oil will ruin the engine and void the warranty. Work in well ventilated area. Keep cigarettes, flames or sparks away from the work area or where fuel is stored.



WARNING! PROPANE IS EXTREMELY FLAMMABLE AND IS EXPLOSIVE UNDER CERTAIN CONDITIONS. KEEP OUT OF REACH OF CHILDREN.

- Propane fuel and fumes are flammable and potentially explosive. Use proper fuel storage and handling procedures. Always have multiple ABC class fire extinguishers nearby.
- Keep the generator and surrounding area clean at all times.
- Fuel or oil spills must be cleaned up immediately. Dispose of fluids and cleaning materials as per any local, state, or federal codes and regulations. Store oily rags in a covered metal container.
- Never store fuel or other flammable materials near the generator.

Owner's Manual

General Precautions (cont'd)

Fuel and Oil (cont'd)

- Do not smoke, or allow sparks, flames or other sources of ignition around the engine and fuel tank. Fuel vapors are explosive.
- Keep grounded conductive objects, such as tools, away from exposed, live electrical parts and connections to avoid sparking or arcing. These events could ignite fumes or vapors.
- Do not refill the fuel tank while the engine is running or while the engine is still hot. Do not operate the generator with known leaks in the fuel system
- Excessive buildup of unburned fuel gases in the exhaust system can create a potentially explosive condition. This buildup can occur after repeated failed start attempts, valve testing, or hot engine shutdown. If this occurs, open exhaust system drain plugs, if equipped, and allow the gases to dissipate before attempting to restart the generator.
- Use only engine manufacturer recommended fuel and oil.

Hot Components



WARNING! ENGINE AND EXHAUST SYSTEM PARTS BECOME VERY HOT AND REMAIN HOT FOR SOME TIME AFTER THE ENGINE IS RUN. WEAR INSULATED GLOVES OR WAIT UNTIL THE ENGINE AND EXHAUST SYSTEM HAVE COOLED BEFORE HANDLING THESE PARTS.

Power Output

This generator is not designed to power sensitive electronic equipment (including computers and medical devices) without the addition of an approved line conditioner, which is sold separately.



CAUTION: ATTEMPTING TO POWER SENSITIVE ELECTRONIC EQUIPMENT WITHOUT THE USE OF AN APPROVED LINE CONDITIONER MAY CAUSE DAMAGE TO THE EQUIPMENT. ALL-POWER AMERICA IS NOT RESPONSIBLE FOR ANY DIRECT OR INDIRECT DAMAGE CAUSED BY FAILURE TO USE AN APPROVED LINE CONDITIONER.

6000W Propane Generator

General Precautions (cont'd)

Work Area

- Keep your work area clean and well lit. Cluttered benches and dark areas invite accidents.
- Do not operate power tools in explosive atmospheres, such as in the presence of flammable liquids, gases, or dust. Generators create sparks which may ignite the dust or fumes.
- Keep bystanders, children, and visitors away while operating a generator. Provide barriers or shields as needed.

Electrical Safety

- Grounded tools must be plugged into an outlet properly installed and grounded in accordance with all codes and ordinances. Never remove the grounding prong or modify the plug in any way. Do not use any adapter plugs.
- Grounding provides a low-resistance path to carry electricity away from the user in the event of an electrical malfunction.
- Double insulated tools are equipped with a polarized plug where one blade is wider than the other. This plug fits in a polarized outlet only one way. If the plug does not fit fully in the outlet, reverse the plug. If it still does not fit, contact a qualified electrician to install a polarized outlet. Do not change the plug in any way. Double insulation eliminates the need for the three-wire grounded power cord and grounded power supply system.
- Avoid body contact with grounded surfaces such as pipes, radiators, ranges, and refrigerators. There is an increased risk of electric shock if your body is grounded.
- Do not expose generator to rain or wet conditions. Water entering a generator will increase the risk of electric shock.
- Do not abuse the power cord. Keep power cords away from heat, oil, sharp edges, or moving parts. Replace damaged power cords immediately. Damaged power cords increase the risk of electric shock.
- When operating a power tool outside, use an outdoor extension cord marked "W-A" or "W". These extension cords are rated for outdoor use, and reduce the risk of electric shock.



Owner's Manual

General Precautions (cont'd)

Electrical Safety (cont'd)

- All connections and conduits from the generator to the load must only be installed by trained and licensed electricians, and in compliance with all relevant local, state, and federal electrical codes and standards, and other regulations where applicable.
- The generator must be earth-grounded for fixed installations in accordance with all relevant electrical codes and standards before operation.
- Do not attempt to connect or disconnect load connections while standing in water, or on wet or soggy ground.
- Do not touch electrically energized parts of the generator and interconnecting cables or conductors with any part of the body, or with any non-insulated conductive object.
- Connect the generator only to a load or electrical system (120 volt) that is compatible with the electrical characteristics and rated capacities of the generator.
- Before servicing equipment powered by the generator, disconnect the equipment from its power input.
- Keep all electrical equipment clean and dry. Replace any wiring where the insulation is cracked, cut abraded or otherwise degraded. Replace terminals that are worn, discolored, or corroded. Keep terminals clean and tight.
- Insulate all connections and disconnected wires.
- Guard against electric shock. Prevent body contact with grounded surfaces such as pipes, radiators, ranges, and refrigerator enclosures.

Personal Safety

- Stay alert. Watch what you are doing, and use common sense when operating a generator. Do not use generator while tired or under the influence of drugs, alcohol, or medication. A moment of inattention while operating generators may result in serious personal injury.
- Dress properly. Do not wear loose clothing or jewelry. Contain long hair. Keep your hair, clothing, and gloves away from moving parts. Loose clothes, jewelry, or long hair can be caught in moving parts.

6000W Propane Generator

General Precautions (cont'd)

Personal Safety (cont'd)

- Avoid accidental starting. Make sure the power switch is in its “OFF” position, and disconnect the spark plug wire when not in use.
- Remove adjusting keys or wrenches before turning the generator on. A wrench or a key that is left attached to a rotating part of the generator may result in personal injury.
- Do not overreach. Keep proper footing and balance at all times.
- Use safety equipment. Always wear eye protection. Wear ANSI approved safety impact eye goggles. Dust mask, non-skid safety shoes, hard hat, or hearing protection must be used for appropriate conditions.
- Do not force the generator. Use the correct generator for your application. The correct generator will do the job better and safer at the rate for which it is designed.
- Do not use the generator if the power switch does not turn it on or off. Any generator that cannot be controlled with the power switch is dangerous and must be replaced.

Generator Use and Care

Make sure the power switch is in its “OFF” position and disconnect the spark plug wire before making any adjustment, changing accessories, or storing the generator. Such preventive safety measures reduce the risk of starting the generator accidentally.

Store idle generators out of reach of children and other untrained persons. Generators are dangerous in the hands of untrained users.

Maintain generators with care. Do not use damaged generator. Tag damaged generators “Do not use” until repaired.

Check for misalignment or binding of moving parts, breakage of parts, and any other condition that may affect the generator’s operation. If damaged, have the generator serviced before using. Many accidents are caused by poorly maintained generators.

Use only accessories that are recommended by the manufacturer for your model. Accessories that may be suitable for one generator may become hazardous when used on another generator.

Owner's Manual

General Precautions (cont'd)

Servicing

Maintain labels and name plates on the generator and engine. These carry important information. If unreadable or missing, contact All-Power America immediately for a replacement.

Generator service must be performed only qualified repair personnel. Service or maintenance performed by unqualified personnel could result in a risk of injury.

When servicing a generator, use only identical replacement parts. Follow all appropriate instructions in this manual. Use of unauthorized parts or failure to follow maintenance instructions may create a risk of electric shock or injury.

Heart Pacemakers



WARNING! PEOPLE WITH PACEMAKERS SHOULD CONSULT THEIR PHYSICIAN(S) BEFORE USING THIS PRODUCT. ELECTROMAGNETIC FIELDS IN CLOSE PROXIMITY TO A HEART PACEMAKER COULD CAUSE INTERFERENCE TO OR FAILURE OF THE PACEMAKER.

Installation

- Ensure installation meets all applicable safety, and local and national electrical codes. Have installation performed by a qualified, licensed electrician and building contractor.
- All electrical work, including the earth-ground connection, should be completed by a licensed electrician.
- Any separate fuel storage or generator supply facility must be built or installed in full compliance with all relevant local, state, and federal regulations.

6000W Propane Generator

General Precautions (cont'd)

Installation (cont'd)

- If the generator is installed outdoors, it must be weatherproofed and should be soundproofed. It should not be run outdoors without protection to the generator and wiring conduit.
- The generator weighs 201 lbs (approx). Two or more people should assist when moving or lifting this product. Never lift the generator using the engine or alternator lifting lugs. Connect lifting equipment to the frame of the generator
- Before lifting the generator, ensure the lift rigging and supporting structure are in good condition, and are rated to lift such a load.
- Keep all personnel away from the suspended generator during relocating.
- The supporting floor/ground surface should be level and strong enough to safely hold the weight of the generator. If the floor/grounded surface is not level, strong cross members should be placed under the full length of the generator frame at its low side.
- For trailer installation, the generator should be mounted on the center point of the trailer, over the wheels. The trailer must be capable of supporting the weight of the generator and all contents (tools, etc.)
- Install sound-and weather-proofing only when it is not raining or snowing to avoid trapping moisture within the generator's area.

Mechanical

- Always make sure the power switch is in its "OFF" position. Disconnect the spark plug wire, and allow the engine to completely cool before carrying out maintenance.
- Check for damaged parts. Before using the generator, any part that appears damaged should be carefully checked to determine that it will operate properly and perform its intended function. Check for alignment and binding of moving parts, any broken parts or mounting fixtures, and any other condition that may affect proper operation technician.
- The generator is designed with guards for protection from moving parts. In any case, care must still be taken to protect personnel and equipment from other mechanical hazards when working around the generator.

Owner's Manual

General Precautions (cont'd)

Mechanical (cont'd)

- Do not operate the generator with safety guards removed. While the generator is running, do not attempt to reach around the safety guard for maintenance or any other reason.
- Keep hands, arms, long hair, loose clothing, and jewelry away from moving parts. Be aware that when engine parts are moving fast they cannot be seen clearly.
- Keep access doors on enclosures closed and locked when access is not required.
- When working on or around the generator always wear protective clothing including ANSI approved safety gloves, safety eye goggles, and safety hat.
- Do not alter or adjust any part of the generator that is assembled and supplied by the manufacturer.
- Always follow and complete scheduled engine and generator maintenance.

Chemicals

- Avoid contact with hot fuel, oil, exhaust fumes, and hot solid surfaces.
- Avoid body contact with fuels, oils, and lubricants used in the generator. If swallowed, seek medical treatment immediately. Do not induce vomiting if fuel is swallowed. For skin contact, immediately wash with soap and water. For eye contact, immediately flush eyes with clean water and seek medical attention.

Noise

- Prolonged exposure to noise levels above 68 DBA is hazardous to hearing. Always wear ANSI approved ear protection when operating or working around the generator when it is running.

6000W Propane Generator

General Precautions (cont'd)

Extension Cord

If an extension cord (not included) is used, make sure to use only UL approved cords having the correct gauge and length according to the following table:

Nameplate Amps(@ full load)	Cord Lengths			
	0ft.-50ft.	50ft.-100ft.	100ft.-150ft.	150ft.-200ft.
0 - 5	16 AWG	16 AWG	12 AWG	12 AWG
5.1 - 8	16 AWG	14 AWG	10 AWG	-
8.1 - 12	14 AWG	12 AWG	-	-
12.1 - 15	12 AWG	10 AWG	-	-
15 - 20	10 AWG	10 AWG	-	-

Owner's Manual

Assembly

Wheel and handle assembly:



1) CONTENTS: Spark plug Tool + Rod, 2 axles, 2 washers, 4 cotter pins, 2 wheels, Stand, 4 bolts 4 nuts, and Propane line.



2) Thread nut thru stand and frame of the generator.



3) Thread the nuts onto the bolts.



4) Install axle and push cotter pin thru hole in frame and axle.



5) Install wheel and washer.

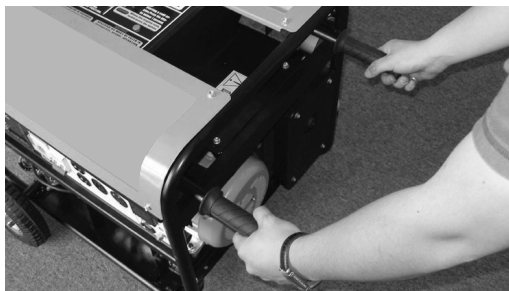


6) Install cotter pins.

6000W Propane Generator

Assembly

Wheel and handle assembly:



7) Handles should be already installed.



8) Twist and pull out to use handles.

Owner's Manual

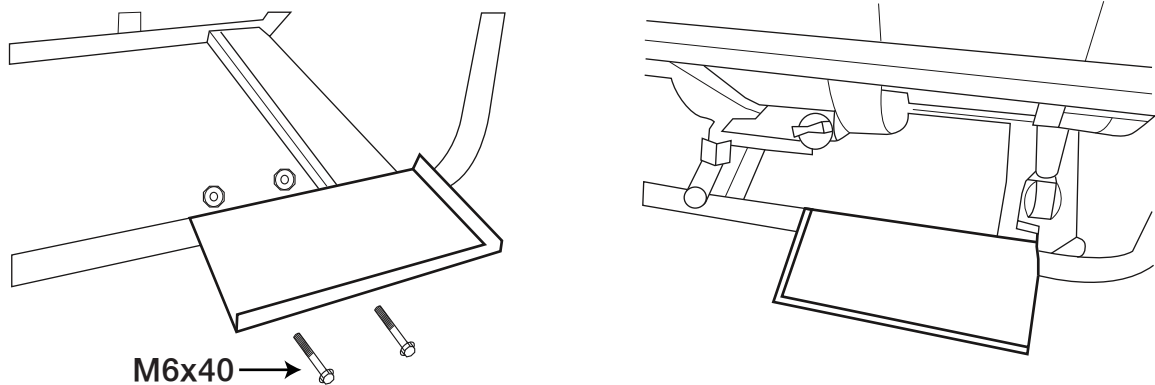
Battery

To start generator with electric start you will need a battery (not included). You can use a 12v lawn tractor battery with the following specifications: The dimensions are Wx7.5" Dx5" Hx7" (including terminals). A rated cranking amperage of 200. Terminals are regular, not reversed.

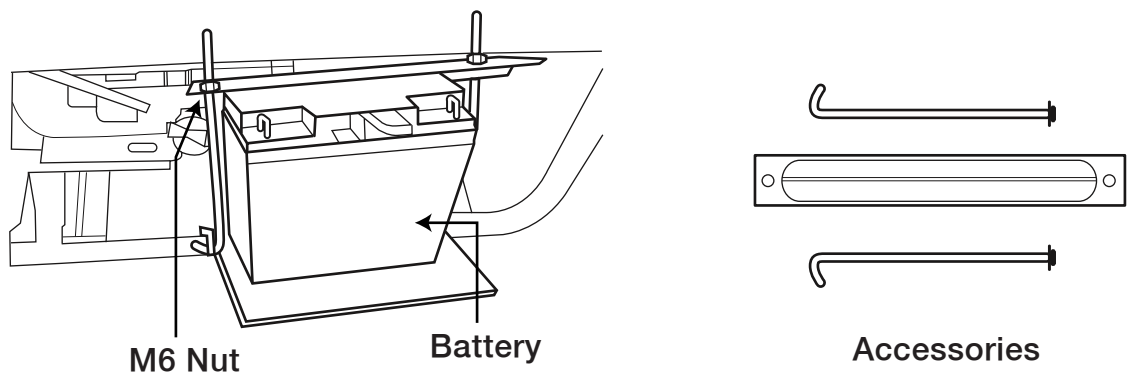
- Note:
- (a) Using a battery not designed for this unit may void warranty,
 - (b) Battery must be charged recommended using one month;
 - (c) Do not touch uninsulated battery terminal;
 - (d) A lead-acid battery generates explosive gases during normal battery. So never smoke or allow an open spark or flame in the vicinity of the battery and engine;
 - (e) The method of battery connecting: Connecting the positive clip (red) from charging loop to positive clip (+) ungrounded post of battery.
Connecting the negative (-) grounded(black) of charging loop.
 - (f) Must connect charging loop to the battery before engine runs. Forbid connecting it while engine is running.
 - (g) Also this generator can be started with the pull start.

Photos below demonstrate battery plate attachment.

- 1) Bolt on plate with M6X40 bolts as shown below.



- 2) Put the battery on the frame, have the battery assembled with the provided accessories as shown.



6000W Propane Generator

Propane Connection

Propane hose connection:



Propane Intake Valve

Propane Cylinder
(NOTE: This is your common propane BBQ cylinder)



Generator Propane Hose.(Included)

Generators



Connect the propane hose to the tank and tighten

Owner's Manual

Operation



NOTE: THE PARTS LISTED ABOVE ARE HELPFUL FOR LOCATING THE CONTROLS MENTIONED BELOW.



CAUTION: PRIOR TO FIRST USING THE GENERATOR, THE ENGINE MUST BE FILLED WITH OIL OF A HIGH QUALITY SAE 10W-30 GRADE ENGINE OIL. TO DO SO, UNSCREW AND REMOVE THE ENGINE'S OIL DIPSTICK LOCATED AT THE BOTTOM OF THE ENGINE CRANKCASE. FILL THE ENGINE'S CRANKCASE UNTIL THE OIL LEVEL IS LEVEL WITH THE UPPER MARKED LINE ON THE DIPSTICK. THEN SCREW THE DIPSTICK BACK INTO THE OIL FILL HOLE.

Fuel Intake Valve: Propane hose connection.

Pull Start: Manual start.

Key Start: Key start

Key Start Circuit Breaker: Circuit breaker for key start.

Oil Fill: To check and fill oil.

Voltage Meter: Measures voltage

Outlets: Plugs for appliances, etc.

Hour Meter: Measures generator usage.

Circuit Breaker: Breaker for outlets incase of overloads.

Purge Button: To fill the generators lines with propane when cold starting.

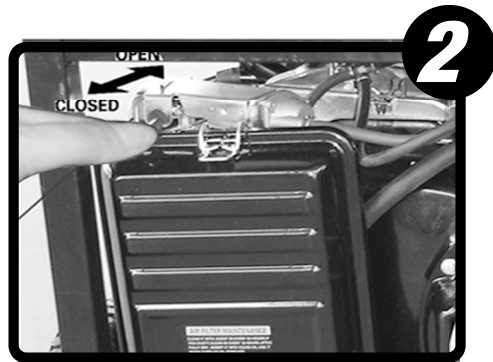
6000W Propane Generator

Operation (cont'd)

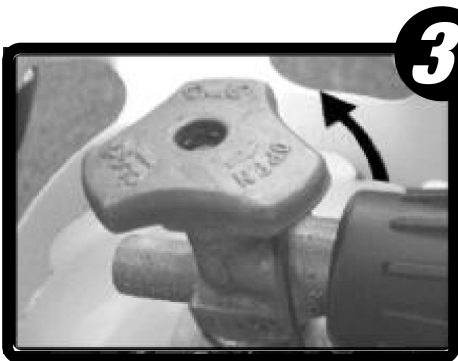
Starting Instructions



Connect the propane hose from the propane tank to the machine



Move the choke lever to the "START" position



Turn the valve on the propane tank all the way.



Press the "PURGE" button for 3 seconds

CONTINUE ON NEXT PAGE

Owner's Manual

Operation (cont'd)

Starting Instructions



5

OR



Battery Start: If battery is installed, turn the key to the START position & allow the engine to crank. When engine starts, release the key back to the RUN position.

Recoil Start: Turn the key to the RUN Position. Pull the recoil starter to start.



Move the choke lever to the "RUN" position.

6000W Propane Generator

Operation (cont'd)

Powering 120 Volt AC Tools And Equipment:

1. Prior to powering tools and equipment, make sure the generator's rated voltage, and amperage capacity (120V AC @ 42 AMPs) is adequate to supply all electrical loads that the unit will power. If powering exceeds the generator's capacity, it may be necessary to group one or more of the tools and/or equipment for connection to a separate generator.



CAUTION: ATTEMPTING TO POWER SENSITIVE ELECTRONIC EQUIPMENT WITHOUT THE USE OF AN APPROVED LINE CONDITIONER MAY CAUSE DAMAGE TO THE EQUIPMENT. ALL-POWER AMERICA IS NOT RESPONSIBLE FOR ANY DIRECT OR INDIRECT DAMAGE CAUSED BY FAILURE TO USE AN APPROVED LINE CONDITIONER.

2. Once the generator is running, simply connect the power cords of 120 volt AC powered tools and equipment into the 120 volt AC dual outlets.

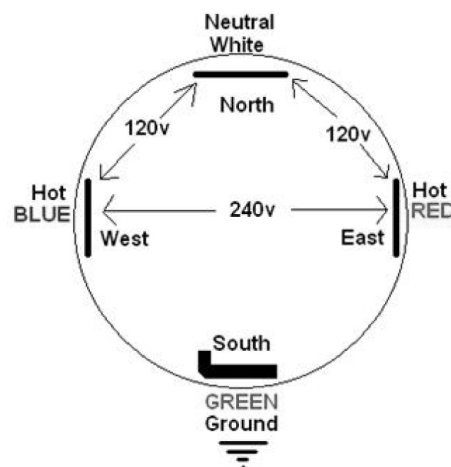


NOTE: THE GENERATOR FEATURES AN AC NON-FUSE CIRCUIT BREAKER TO PROTECT THE AC CIRCUIT IN CASE OF AN OVERLOAD. SHOULD AN OVERLOAD OCCUR, THE BREAKER WILL "TRIP" TO ITS "OFF" POSITION.

3. Disconnect all electrical powered tools and equipment from the generator's 120 volt AC dual outlets.
4. After the engine and generator have completely cooled, store generator in a safe, clean, dry location (if not already installed).

For 120/240V Output

According to the diagram on the panel, you can adjust the wiring to have the output you need.



Owner's Manual

Operation (cont'd)

Powering 120/240 Volt AC Tools And Equipment:

1. Prior to powering tools and equipment, make sure the generator's rated voltage, and amperage capacity (120V/240 AC @ 42/21 AMPs) is adequate to supply all electrical loads that the unit will power. If powering exceeds the generator's capacity, it may be necessary to group one or more of the tools and/or equipment for connection to a separate generator.



CAUTION: ATTEMPTING TO POWER SENSITIVE ELECTRONIC EQUIPMENT WITHOUT THE USE OF AN APPROVED LINE CONDITIONER MAY CAUSE DAMAGE TO THE EQUIPMENT. ALL-POWER AMERICA IS NOT RESPONSIBLE FOR ANY DIRECT OR INDIRECT DAMAGE CAUSED BY FAILURE TO USE AN APPROVED LINE CONDITIONER.

2. Once the generator is running, simply connect the power cords of 120/240 volt AC powered tools and equipment into the 120/240 volt AC dual outlets.



NOTE: THE GENERATOR FEATURES AN AC NON-FUSE CIRCUIT BREAKER TO PROTECT THE AC CIRCUIT IN CASE OF AN OVERLOAD. SHOULD AN OVERLOAD OCCUR, THE BREAKER WILL "TRIP" TO ITS "OFF" POSITION.

3. Disconnect all electrical powered tools and equipment from the generator's 120/240 volt AC dual outlets.
4. After the engine and generator have completely cooled, store generator in a safe, clean, dry location (if not already installed).

6000W Propane Generator

Operation (cont'd)

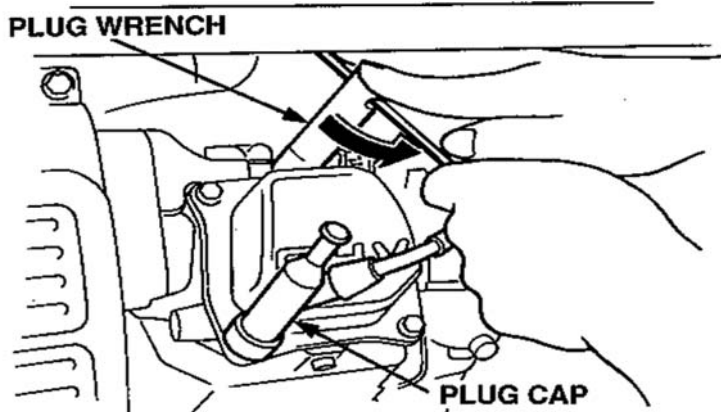
Spark Plug Service

In order to service the spark plug, you will need a spark plug wrench (commercially available). Recommended spark plugs: NHSP LD F7RTC. To ensure proper engine operation, the spark plug must be properly gapped and free of deposits.

1. Remove the spark plug cap.
2. Use a spark plug wrench to remove the spark plug.
3. Visually inspect the spark plug. Discard it if the insulator is cracked or chipped. Clean the spark plug with a wire brush if it is to be reused.
4. Measure the plug gap with a feeler gauge.
5. Check that the spark plug washer is in good condition.
6. After the spark plug is seated, tighten with a spark plug in by hand to prevent cross-threading.
7. After the spark plug is seated, tighten with a spark plug wrench to compress the washer.



NOTE: THE SPARK PLUG MUST BE SECURELY TIGHTENED. AN IMPROPERLY TIGHTENED SPARK PLUG CAN BECOME VERY HOT AND COULD DAMAGE THE ENGINE. NEVER USE SPARK PLUGS WHICH HAVE AN IMPROPER HEAT RANGE. USE ONLY RECOMMENDED SPARK PLUGS OR EQUIVALENT.



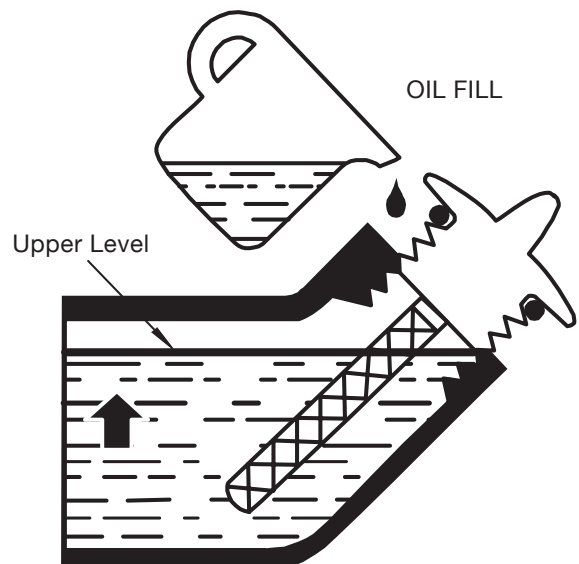
Owner's Manual

Inspection, Cleaning, and Maintenance



WARNING! ALWAYS MAKE SURE THE ENGINE POWER SWITCH IS IN ITS "OFF" POSITION. DISCONNECT THE SPARK PLUG WIRE FROM THE ENGINE. AND ALLOW SUFFICIENT TIME FOR THE ENGINE AND GENERATOR TO COMPLETELY COOL BEFORE PERFORMING ANY INSPECTIONS, MAINTENANCE, OR CLEANING.

- Before each use, inspect the generator. Check for:
 - Loose screws
 - Misaligned or binding moving parts
 - Cracked or broken parts
 - Damaged electrical wiring
 - Any other condition that may affect safe operation.
- If an engine problem occurs, have it checked by a qualified service technician before further use. Do not use damaged equipment.
- Before each use, make sure the engine's oil and fuel levels are adequate. If necessary, fill the crankcase until the oil level is even with the oil fill hole and/or fill the fuel tank.
- Before each use, remove all debris with a soft brush, rag, or vacuum.
- Lubricate all moving parts using a premium quality, lightweight machine oil.
- Every 50 hours of use, drain the old engine oil and replace with a high quality SAE 10W-30 grade engine oil.
- Every 300 hours of use, have a qualified, certified technician perform thorough maintenance on the generator and engine.



6000W Propane Generator

Installation



NOTE: PRIOR TO POWERING TOOLS AND EQUIPMENT MAKE SURE THE GENERATOR'S RATED VOLTAGE, WATTAGE AND AMPERAGE CAPACITY IS ADEQUATE TO SUPPLY ALL ELECTRICAL LOADS THAT THE UNIT WILL POWER. IF POWERING EXCEEDS THE GENERATOR'S CAPACITY, IT MAY BE NECESSARY TO GROUP ONE OR MORE OF THE TOOLS AND/OR EQUIPMENT FOR CONNECTION TO A SEPERATE GENERATOR.

Electrical and other permits may be required for the installation of emergency power systems. Investigate your local building and electrical codes before installing this unit. Installation must be completed by licensed contractors.



WARNING! THE GENERATOR WEIGHS APPROXIMATELY 201 POUNDS. USE CARE AND THE PROPER LIFTING OR HOISTING EQUIPMENT WHEN MOVING IT TO THE INSTALLATION LOCATION. ALWAYS CONNECT HOIST LINES TO THE FRAME OF THE GENERATOR.

General Location

- Make sure to locate and install the generator outdoors where cooling air is readily available.
- Install the generator so that the air inlets and outlets are not blocked by obstructions such as bushes, trees, or snow drifts. Locating it in the path of heavy winds or snowdrifts may require the placement of a barrier for protection. In normal weather conditions, the air vent should face the prevailing wind direction.
- Install the generator on a concrete slab or other area where rain drainage or flood waters can not reach it.
- Generator placement should allow four feet of access to all sides for maintenance.
- Place the generator as close as possible to the electrical tools and equipment being powered to reduce the length of extension cords.

Owner's Manual

Installation (cont'd)

Supporting and Mounting

Mount the generator on a concrete slab capable of supporting the weight of the generator. The slab must extend on all sides beyond the frame by at least one foot. Contact a cement contractor for slab specifications if necessary. Attach the frame to the concrete slab using 3/8" diameter expansion anchor bolts (not supplied).

Grounding

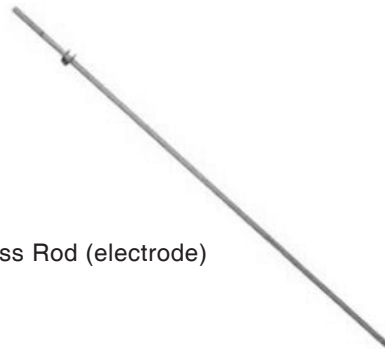


NOTE: IT IS RECOMMENDED THAT ONLY A TRAINED AND LICENSED ELECTRICIAN PERFORM THIS PROCEDURE

Connect a #6 AWG grounding wire (not included) from the ground connector on the generator power panel (picture below) to a grounding rod (picture below). It must be driven at least 24" deep into the earth (Soil). The grounding rod must be an earth-driven copper or brass (electrode) which can adequately ground the generator.



Ground Connector



Brass Rod (electrode)

6000W Propane Generator

Compliance

You should get a certificate of EPA while you purchased this product.

Owner's Manual

Specifications

AC electrical

Current Output	120V/240V AC @ 42/21A 60Hz
Continuous/Rated Wattage	5,000
Peak Wattage	6,000
Outlet	Two 120V AC, 2 spring grounded One 120V twist-lock outlet One 120/240V AC twist-lockoutlet

DC electrical

Outlet	12V/8.3A
--------	----------

Gasoline engine

Type	4-cycle OHV air-cooled recoil & electric start
Displacement	389cc
Oil capacity	1.16 quart (1.1 liter)
EPA approved	yes

Fuel

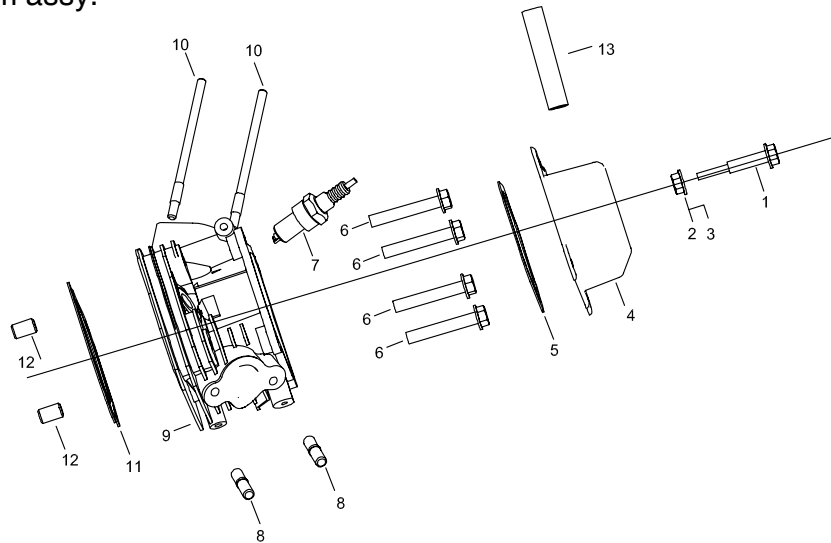
Type	Propane Fuel
Capacity	
Running time	5 hrs 1/2 load (approx.) on 5 gal./20lbs of fuel
Fuel gauge	none

Weight

Approximate weight	201 lbs.
--------------------	----------

6000W Propane Generator

Cylinder head system assy.

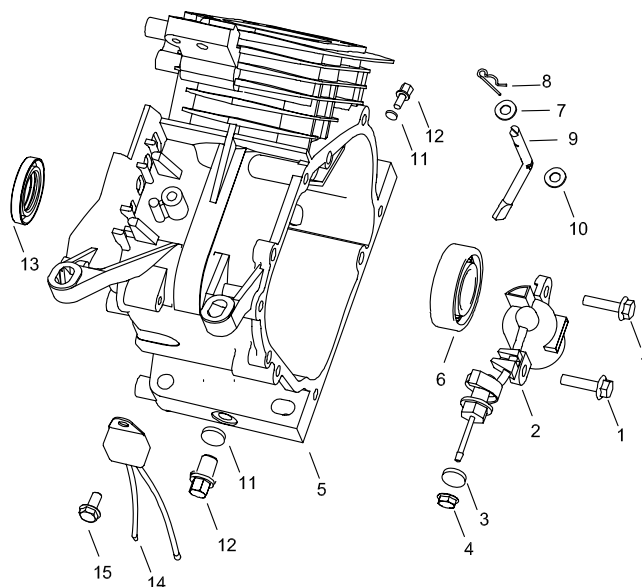


A

APA Part No.	Description	Part No.
APG3560CN-A-01-JD	HEAD COVER COMP. BOLT	JF340-A-01
APG3560CN-A-02-JD	HEAD COVER WASHER COMP.	JF340-A-02
APG3560CN-A-03-JD	WASHER COVER PACKING	JF340-A-03
APG3560CN-A-04-JD	HEAD COVER COMP.	JF340-A-04
APG3560CN-A-05-JD	HEAD COVER PACKING	JF340-A-05
APG3560CN-A-06-JD	FLANGE BOLT (M10X 80)	JF340-A-06
APG3560CN-A-07-JD	SPARK PLUG	JF340-A-07
APG3560CN-A-08-JD	EXHAUST PIPE STUD BOLT	JF340-A-08B
APG3560CN-A-09-JD	CYLINDER HEAD COMP.	JF390A-09
APG3560CN-A-10-JD	CARBURETOR STUD BOLT	JF340-A-10B
APG3560CN-A-11-JD	CYLINDER HEAD SEALING PAD	JF390-A-11
APG3560CN-A-12-JD	DOWEL PIN ($\phi 10 \times \phi 12 \times 20$)	JF340-A-12
APG3560CN-A-13-JD	AIR CLEANER STAY	JF340-A-13

6000W Propane Generator

Cylinder barrel

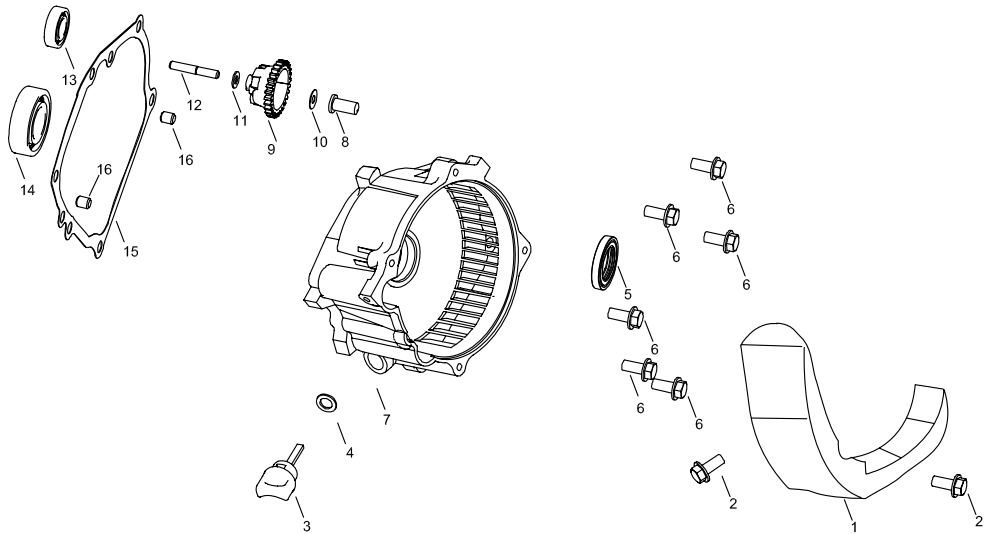


B

APA Part No.	Description	Part No.
APG3560CN-B-01-JD	FLANGE BOLT (M6X 14)	JF340-B-01
APG3560CN-B-02-JD	OIL LEVEL SWITCH ASSY.	JF240-B-02
APG3560CN-B-03-JD	O-RING (14mm)	JF240-B-03
APG3560CN-B-04-JD	FLANGE NUT (M10)	JF340-B-02
APG3560CN-B-05-JD	CRANK CASE	JF390-B-02
APG3560CN-B-06-JD	BALL BEARING (6207)	JF340-B-04
APG3560CN-B-07-JD	WASHER(φ8.3×φ17×1)	JF340-B-05
APG3560CN-B-08-JD	LOCK PIN (10 mm)	JF340-B-06
APG3560CN-B-09-JD	GOVERNOR ARM SHAFT	JF340-B-07
APG3560CN-B-10-JD	OIL SEAL (φ8×φ14×5)	JF340-B-08
APG3560CN-B-11-JD	DRAIN PLUG WASHER (12mm)	JF340-B-09
APG3560CN-B-12-JD	DRAIN PLUG BOLT	JF340-B-10
APG3560CN-B-13-JD	OIL SEAL (φ35×φ52×8)	JF340-B-11
APG3560CN-B-14-JD	OIL PROTECTOR	JF340-B-12
APG3560CN-B-15-JD	FLANGE BOLT	JF340-B-13

6000W Propane Generator

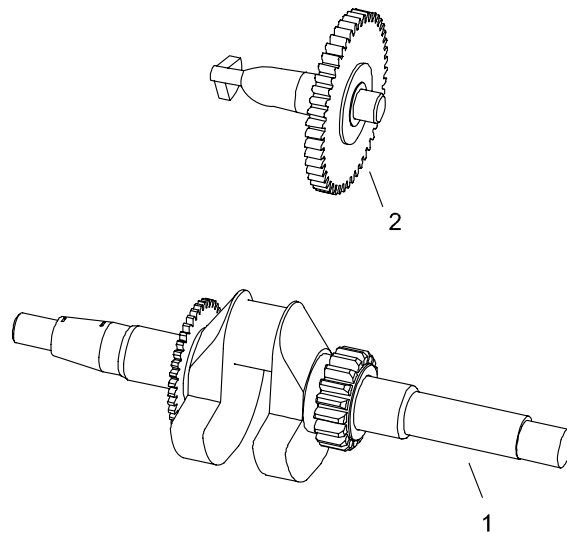
Crankcase cover system assy.



APA Part No.	Description	Part No.
APG3560CN-C-01-JD	DUCT COVER	JD5000-A-01
APG3560CN-C-02-JD	FLANGE BOLT (M8 X 35)	JD5000-A-02
APG3560CN-C-03-JD	OIL SCALE	JF340-C-03B
APG3560CN-C-04-JD	OIL SCALE SEAL RING	JF340-C-02
APG3560CN-C-05-JD	OIL SEAL($\varnothing 35 \times \varnothing 52 \times 8$)	JF340-B-11
APG3560CN-C-06-JD	FLANGE BOLT (M8X35)	JF390-C-01
APG3560CN-C-07-JD	CRANKCASE COVER	JF340-C-04B
APG3560CN-C-08-JD	GOVERNOR GEAR WASHER (6 mm)	JF340-C-06
APG3560CN-C-09-JD	GOVERNOR GEAR	JF340-C-07
APG3560CN-C-10-JD	SLIDER SHAFT	JF340-C-05
APG3560CN-C-11-JD	SLIDER WASHER (6 mm)	JF340-C-08
APG3560CN-C-12-JD	GOVERNOR SLIDER	JF340-C-09
APG3560CN-C-13-JD	BALL BEARING (6202)	JF340-B-13
APG3560CN-C-14-JD	BALL BEARING (6207)	JF340-B-04
APG3560CN-C-15-JD	CRANKCASE COVER PAD	JF340-C-10
APG3560CN-C-16-JD	DOWEL PIN (8X12)	JF240-C-11

6000W Propane Generator

Crankshaft assy.

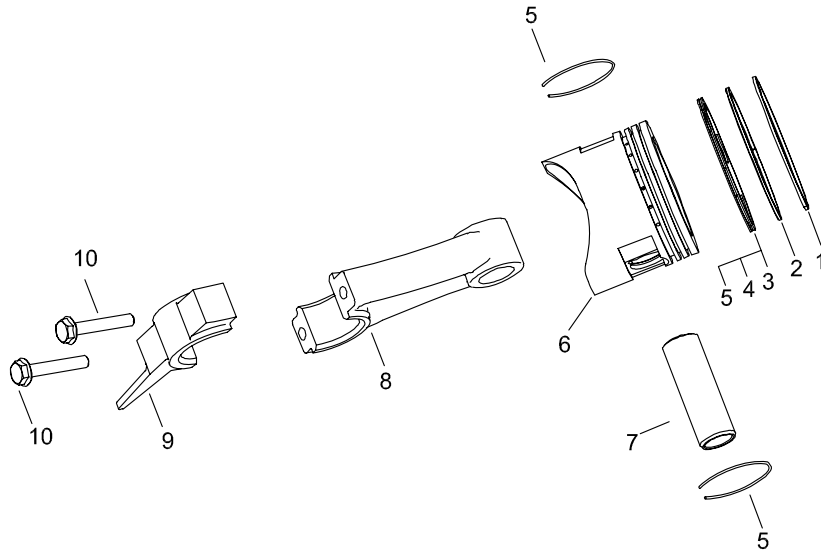


D

APA Part No.	Description	Part No.
APG3560CN-D-01-JD	CRANKSHAFT COMP.	JF340-D-02
APG3560CN-D-02-JD	BALANCER WEIGHT	JF340-D-04

6000W Propane Generator

Piston & Connecting Rod Assy.

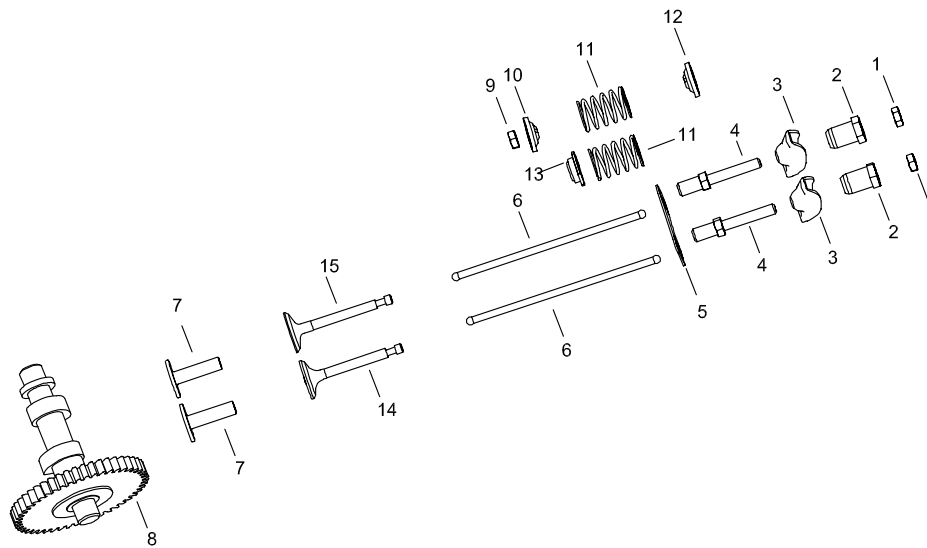


E

APA Part No.	Description	Part No.
APG3560CN-E-01-JD	COMPRESSION RING A	JF390-E-01
APG3560CN-E-02-JD	COMPRESSION RING B	JF390-E-02
APG3560CN-E-03-JD	OIL RING A	JF390-E-03
APG3560CN-E-04-JD	OIL RING B	JF390-E-04
APG3560CN-E-05-JD	PISTON PIN CLIP (20 mm)	JF240-E-05
APG3560CN-E-06-JD	PISTON	JF390-E-05
APG3560CN-E-07-JD	PISTON PIN	JF390-E-06
APG3560CN-E-08-JD	CONNECTING ROD	JF340-E-07
APG3560CN-E-09-JD	CONNECTING COVER	JF340-E-08
APG3560CN-E-10-JD	CONNECTING ROD BOLT	JF340-E-09

6000W Propane Generator

Recoil Starter Assy.

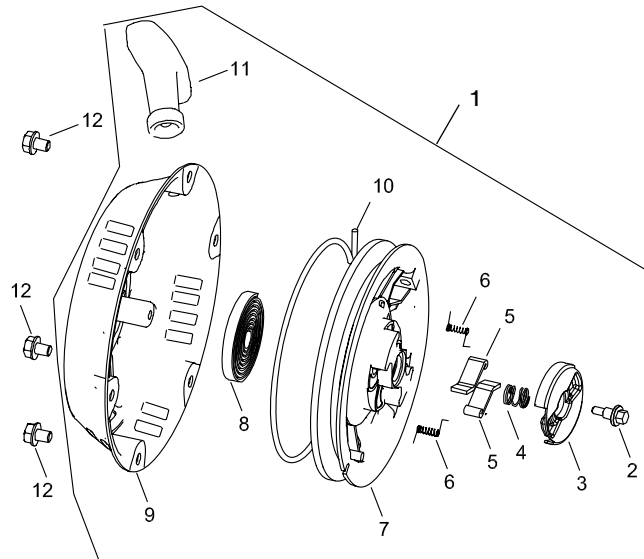


F

APA Part No.	Description	Part No.
APG3560CN-F-01-JD	PIVOT ADJUSTING NUT	JF340-F-01
APG3560CN-F-02-JD	ROCKER ARM PIVOT	JF340-F-02
APG3560CN-F-03-JD	ROCKER ARM	JF340-F-03
APG3560CN-F-04-JD	PIVOT BOLT (M8)	JF340-F-04
APG3560CN-F-05-JD	PUSH ROD GUIDE PLATE	JF340-F-05
APG3560CN-F-06-JD	ROD PUSH	JF240-F-06
APG3560CN-F-07-JD	VALVE LIFTER	JF240-F-07
APG3560CN-F-08-JD	CAMSHAFT	JF390-F-08
APG3560CN-F-09-JD	VALVE ROTATOR	JF340-F-06
APG3560CN-F-10-JD	EX. VALVE SPRING RETAINER	JF340-F-07
APG3560CN-F-11-JD	VALVE SPRING	JF340-F-08
APG3560CN-F-12-JD	VALVE SPRING SEAT	JF340-F-09
APG3560CN-F-13-JD	IN. VALVE SPRING RETAINER	JF340-F-10
APG3560CN-F-14-JD	EX. VALVE	JF340-F-11
APG3560CN-F-15-JD	IN. VALVE	JF340-F-12

6000W Propane Generator

Recoil Starter Assy.

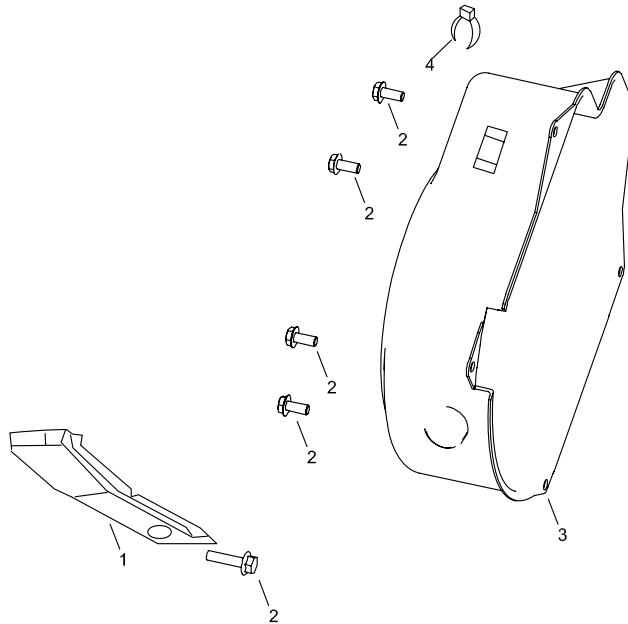


G

APA Part No.	Description	Part No.
APG3560CN-G-01-JD	RECOIL STARTER ASSY.	JF340-G-01
APG3560CN-G-02-JD	SETTING SCREW	JF340-G-02
APG3560CN-G-03-JD	SPRING RETAINER	JF340-G-03
APG3560CN-G-04-JD	PLATEN SPRING	JF340-G-04
APG3560CN-G-05-JD	STARTER DETENT	JF340-G-05
APG3560CN-G-06-JD	DETENT SPRING	JF340-G-06
APG3560CN-G-07-JD	RECOIL STARTER REEL	JF340-G-07
APG3560CN-G-08-JD	START RETURN SPRING	JF340-G-08
APG3560CN-G-09-JD	RECOIL STARTER CASE COMP.	JF340-G-09
APG3560CN-G-10-JD	RECOIL STARTER ROPE	JF340-G-10
APG3560CN-G-11-JD	STARTER KNOB	JF340-G-11
APG3560CN-G-12-JD	FLANGE BOLT (M6X8)	JF340-G-12

6000W Propane Generator

Fan Cover Assy.

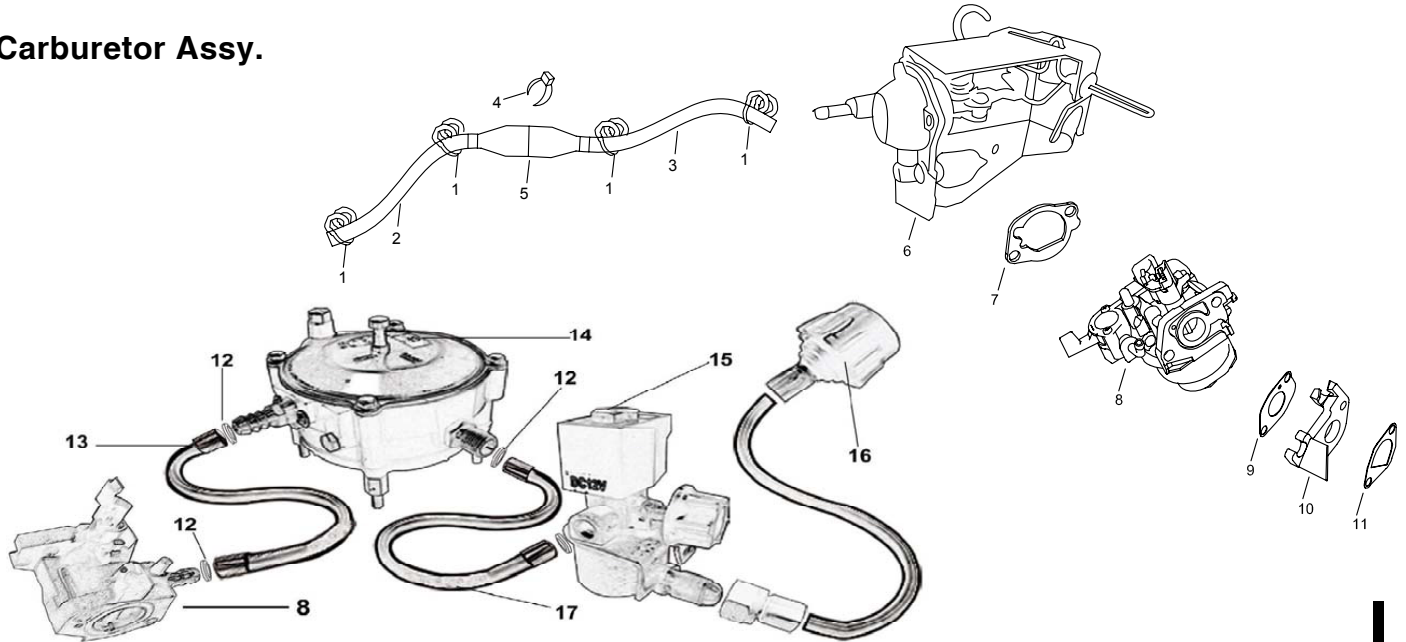


H

APA Part No.	Description	Part No.
APG3560CN-H-01-JD	SHROUD	JF340-H-01
APG3560CN-H-02-JD	FLANGE BOLT (M6 X 14)	JF340-H-02
APG3560CN-H-03-JD	FAN COVER COMP.	JF340-H-03
APG3560CN-H-04-JD	WIRE HARNESS CLIP	JF340-H-04

6000W Propane Generator

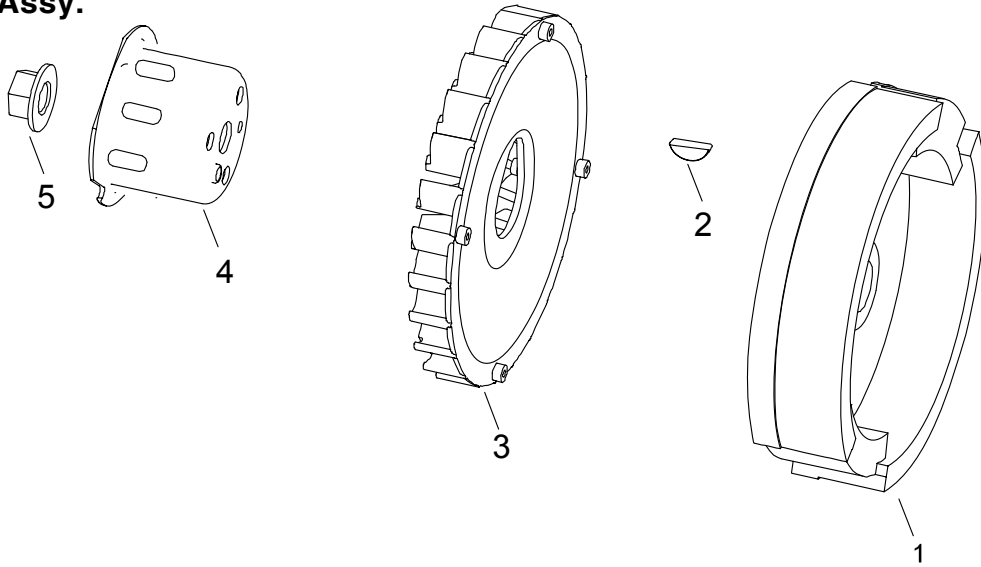
Carburetor Assy.



APA Part No.	Description	Part No.
APG3560CN-I-01-JD	TUBE CLIP	JD3800-B-01
APG3560CN-I-02-JD	TUBE A	JD3800-B-02
APG3560CN-I-03-JD	TUBE B	JD3800-B-03
APG3560CN-I-04-JD	WIPE HARNESS CLIP	JD3800-B-04
APG3560CN-I-05-JD	DASHPOT CHECK VALVE	JD3800-B-05
APG3560CN-I-06-JD	MANUAL CHOKE STAY ASSY.	JD3800-B-06
APG3560CN-I-07-JD	CARBURETOR IRON GASKET	JF340-I-05
APG3560CN-I-08-JD	CARBURETOR ASSY.	JF390-I-04B
APG3560CN-I-09-JD	CARBURETOR PAPER GASKET	JF340-I-03
APG3560CN-I-10-JD	CARBURETOR INSULATING PLATE	JF340-I-02B
APG3560CN-I-11-JD	INTAKE PIPE GASKET	JF340-I-01
APG3560CN-I-12-JD	AIRPROOF GASKET	JF200LPG-I-09
APG3560CN-I-13-JD	LOW PRESSURE PIPE	JF390LPG-I-02
APG3560CN-I-14-JD	DECOMPRESSION VALVE	JF390LPG-I-03
APG3560CN-I-15-JD	ELECTROMAGNETIC VALVE	JF200LPG-I-04
APG3560CN-I-16-JD	INTAKE TIE-IN	JF200LPG-I-03
APG3560CN-I-17-JD	HIGH PRESSURE PIPE	JF200LPG-I-05

6000W Propane Generator

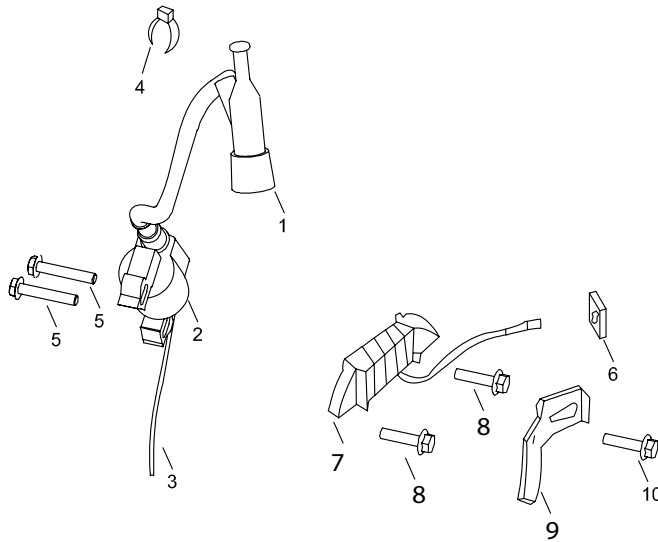
Flywheel Assy.



APA Part No.	Description	Part No.
APG3560CN-J-01-JD	FLYWHEEL	JF340E-J-01
APG3560CN-J-02-JD	SPECIAL WOODRUFF KEY	JF340-J-02
APG3560CN-J-03-JD	COOLING FAN	JF340-J-03
APG3560CN-J-04-JD	STARTER PULLEY	JF340-J-04
APG3560CN-J-05-JD	FLYWHEEL NUT (M16)	JF340-J-05

6000W Propane Generator

Ignition System Assy.

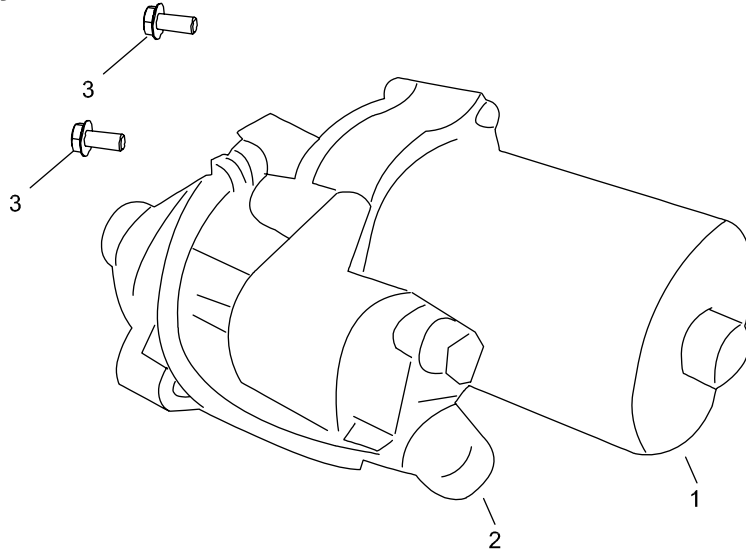


K

APA Part No.	Description	Part No.
APG3560CN-K-01-JD	NOISE SUPPRESSOR CAP ASSY.	JF340-K-01
APG3560CN-K-02-JD	IGNITION COIL ASSY.	JF340-K-02
APG3560CN-K-03-JD	STOP SWITCH CORD	JF340-K-03
APG3560CN-K-04-JD	STOP SWITCH CORD HOLDER	JF340-K-04
APG3560CN-K-05-JD	FLANGE BOLT (M6 X 25)	JF340-K-05
APG3560CN-K-06-JD	CORD GROMMET	JF340-K-06
APG3560CN-K-07-JD	CHARGE COIL ASSY.	JF340-K-07
APG3560CN-K-08-JD	FLANGE BOLT (M6 X 40)	JF340-K-08
APG3560CN-K-09-JD	CORD CLAMPER	JF340-K-09
APG3560CN-K-10-JD	FLANGE BOLT (M6X20)	JF340-K-10

6000W Propane Generator

Starter Motor Assy.

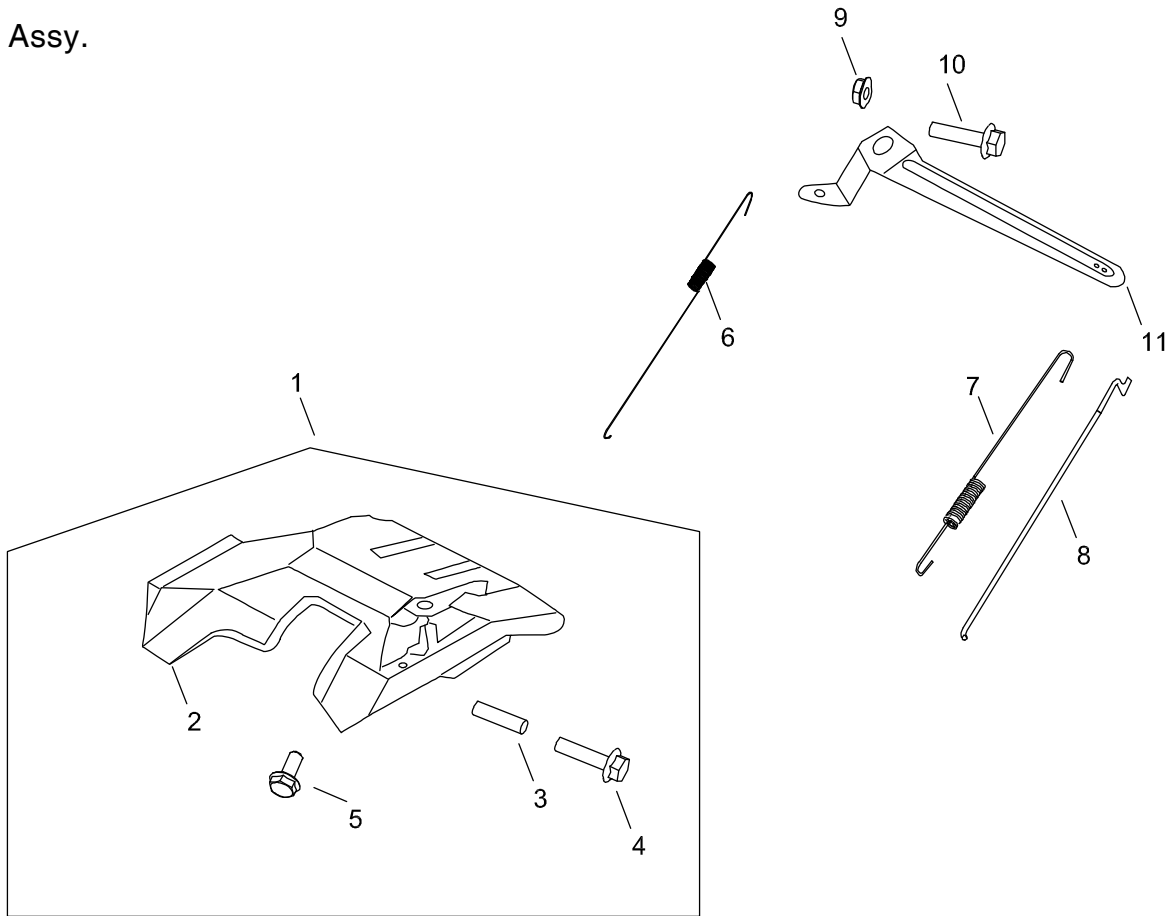


L

APA Part No.	Description	Part No.
APG3560CN-L-01-JD	UNIT STARTER MOTOR	JF340-L-01
APG3560CN-L-02-JD	CONTACTOR ASSY.	JF340-L-02
APG3560CN-L-03-JD	FLANGE BOLT (M8×35)	JF340-L-03

6000W Propane Generator

Control Assy.

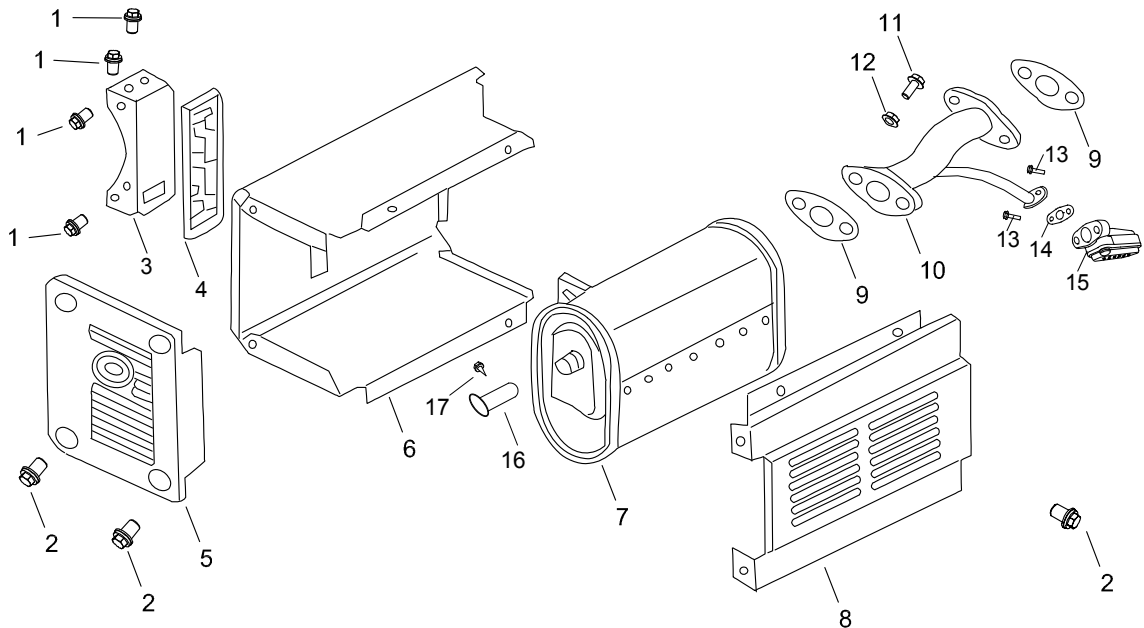


M

APA Part No.	Description	Part No.
APG3560CN-M-01-JD	CONTROL ASSY.	JF340-M-01B
APG3560CN-M-02-JD	CONTROL BASE COMP.	JF340-M-02B
APG3560CN-M-03-JD	CONTROL ADJUSTING SPRING	JF340-M-03
APG3560CN-M-04-JD	PAN SCREW (M5 X 34)	JF340-M-04
APG3560CN-M-05-JD	FLANGE BOLT (M6 X 14)	JF340-M-05
APG3560CN-M-06-JD	GOVERNOR SPRING	JF340-M-06
APG3560CN-M-07-JD	THROTTLE RETURN SPRING	JF340-M-07
APG3560CN-M-08-JD	GOVERNOR ROD	JF340-M-08
APG3560CN-M-09-JD	FLANGE NUT (M6)	JF340-M-09
APG3560CN-M-10-JD	GOVERNOR ARM BOLT (M6)	JF340-M-10
APG3560CN-M-11-JD	CONTROL ARM	JF340-M-11

6000W Propane Generator

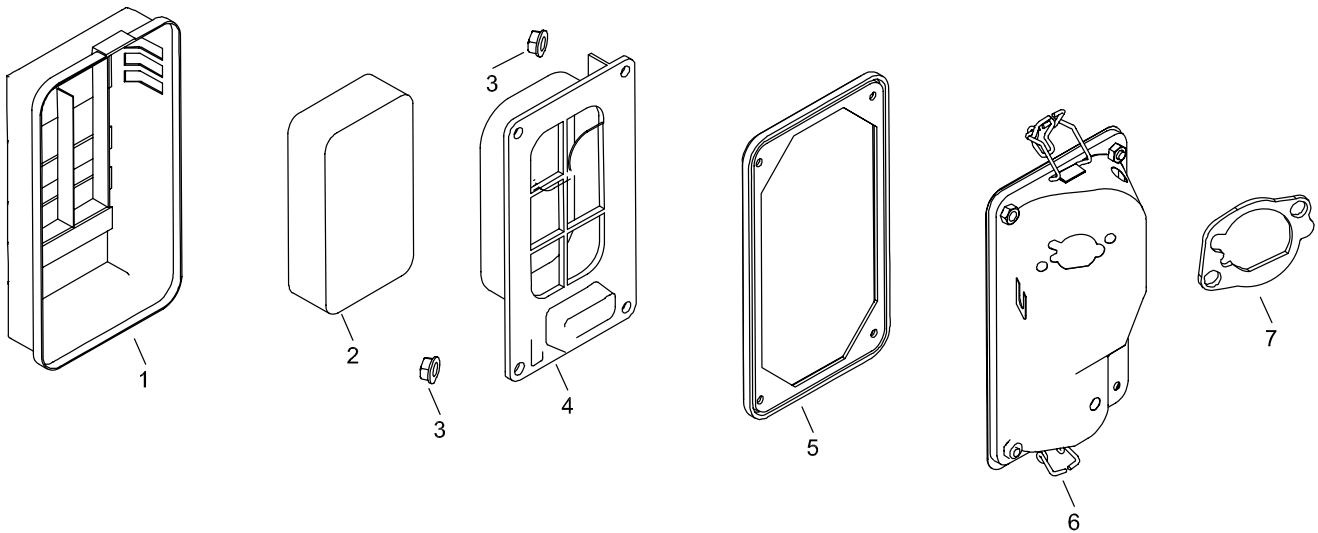
Muffler Assy.



APA Part No.	Description	Part No.
APG3560CN-N-01-JD	FLANGE BOLT (M8 X 16)	JD3800-B-01
APG3560CN-N-02-JD	FLANGE BOLT (M6 X 12)	JD3800-B-02
APG3560CN-N-03-JD	MUFFLER STAY COMP.	JD3800-B-03
APG3560CN-N-04-JD	MUFFLER PROTECTOR SEAL	JD3800-B-04
APG3560CN-N-05-JD	MUFFLER SIDE PROTECTOR	JD3800-B-05
APG3560CN-N-06-JD	MUFF. INNER PROTECTOR COMP.	JD6500-A-01
APG3560CN-N-07-JD	MUFFLER COMP,	JD6500-A-02
APG3560CN-N-08-JD	MUFF. OUTER PROTECTOR COMP.	JD3800-B-08
APG3560CN-N-09-JD	EX. PIPE GASKET	JD3800-B-09
APG3560CN-N-10-JD	EX PIPE COMP.	JD3800-B-10
APG3560CN-N-11-JD	FLANGE BOLT (M8 X 25)	JD3800-B-11
APG3560CN-N-12-JD	FLANGE NUT (M8)	JD3800-B-12
APG3560CN-N-13-JD	FLANGE BOLT (M8 X 12)	JF390-B-13
APG3560CN-N-14-JD	GASKET	JF390-B-14
APG3560CN-N-15-JD	AIR VALVE	JF390-B-15
APG3560CN-N-16-JD	SPARK ARRESTER	JF390-B-16
APG3560CN-N-17-JD	4mm PAN SCREW	JF390-B-17

6000W Propane Generator

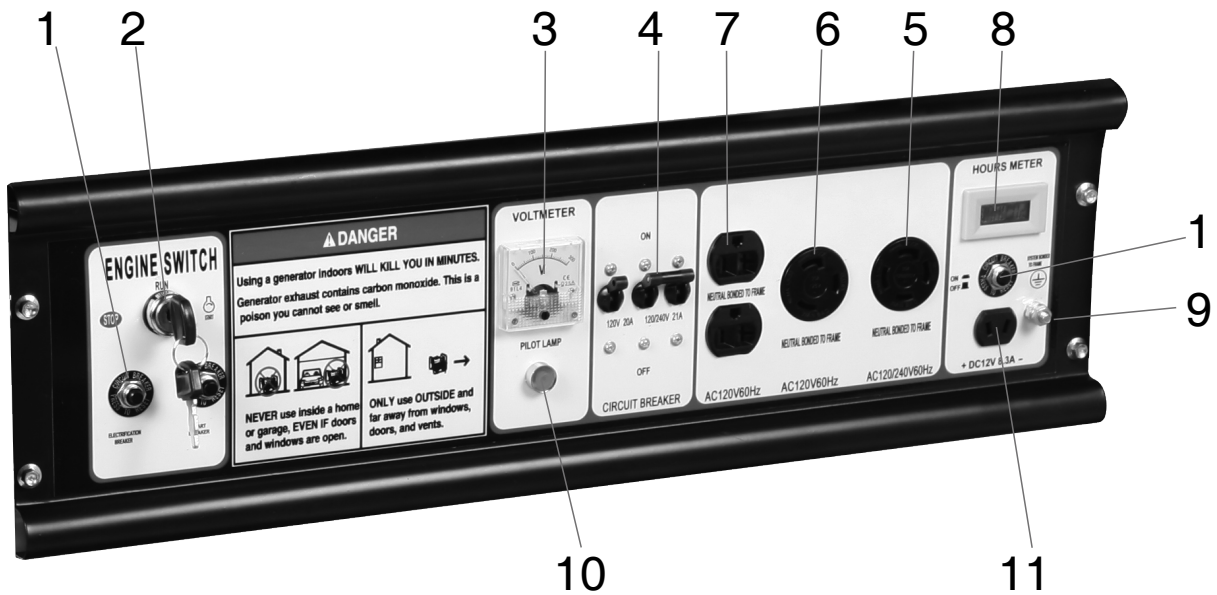
Air Cleaner



APA Part No.	Description	Part No.
APG3560CN-O-01-JD	AIR CLEANER COVER COMP	JD3800-C-01
APG3560CN-O-02-JD	AIR CLEANER ELEMENT	JD3800-C-02
APG3560CN-O-03-JD	FLANGE NUT (M5)	JD3800-C-03
APG3560CN-O-04-JD	AIR CLEANER SEPARATOR	JD3800-C-04
APG3560CN-O-05-JD	AIR CLEANER SEAL	JD3800-C-05
APG3560CN-O-06-JD	AIR CLEANER CASE COMP	JD3800-C-06
APG3560CN-O-07-JD	BREATHER GASKET	JF340-A-13B

6000W Propane Generator

Control Box Assy.

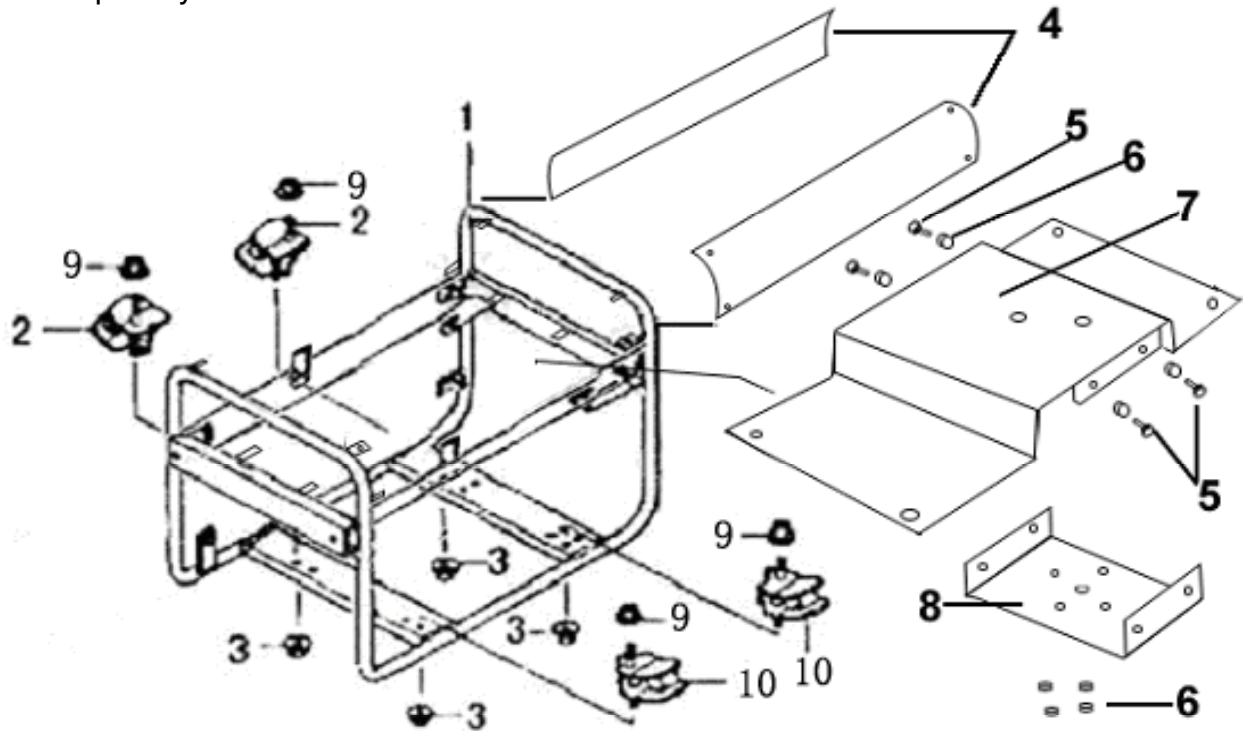


APA Parts No.	Parts No.	Description
APG3560CN-Q-01-JD	1	CIRCUIT BREAKER
APG3560CN-Q-02-JD	2	ENGINE SWITCH ASSY.
APG3560CN-Q-03-JD	3	VOLT METER ASSY.
APG3560CN-Q-04-JD	4	CIRCUIT BREAKER
APG3560CN-Q-05-JD	5	120V/240V RECEPTACLE (L14-30)
APG3560CN-Q-06-JD	6	120V RECEPTACLE (L5-30)
APG3560CN-Q-07-JD	7	120V RECEPTACLE (Ru-22)
APG3560CN-Q-08-JD	8	12V DC TERMINAL
APG3560CN-Q-09-JD	9	EARTH TERMINAL SET
APG3560CN-Q-10-JD	10	PILOT LAMP
APG3560CN-Q-11-JD	11	DC RECEPTACLE

Q

6000W Propane Generator

Frame Comp Assy.

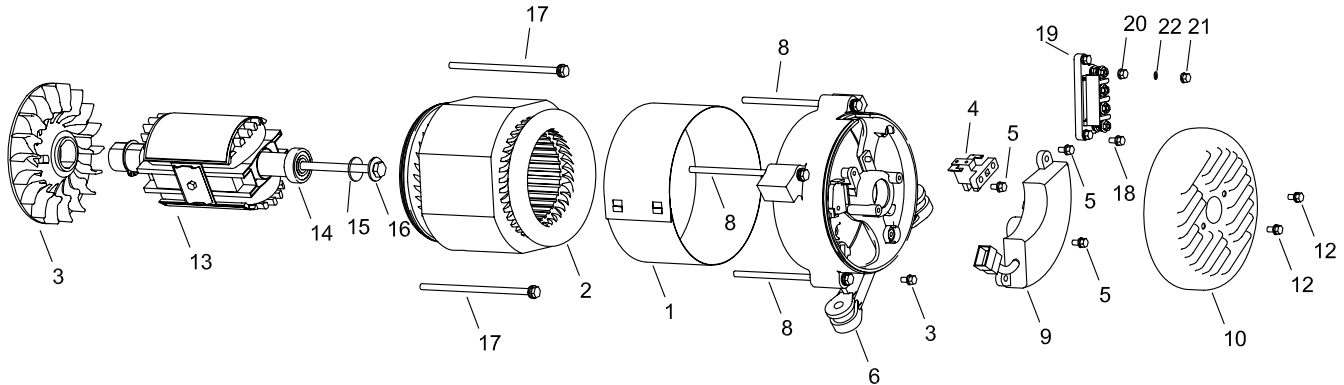


R

APA Part No.	Description	Part No.
APG3560CN-R-01-JD	FRAME COMP.	JD6500ELPG-B-01
APG3560CN-R-02-JD	BOTTOM RUBBER	JD3800-F-05
APG3560CN-R-03-JD	FLANGE NUT (M8)	JD3800-F-04
APG3560CN-R-04-JD	ARC COVER	JD6500LPG-B-02
APG3560CN-R-05-JD	FLANGE BOLT (M6X12)	JD3500LPG-C-03
APG3560CN-R-06-JD	FLANGE NUT (M6)	JD3500LPG-B-04
APG3560CN-R-07-JD	COPING	JD6500LPG-B-03
APG3560CN-R-08-JD	FIX FRAME	JD3500LPG-B-06

6000W Propane Generator

Generator



S

APA Part No.	Description	Part No.
APG3560CN-S-01-JD	STATOR COVER	JD6500-D-01
APG3560CN-S-02-JD	STATOR ASSY.	JD6500-D-02
APG3560CN-S-03-JD	COOLING FAN	JD6500-G-03
APG3560CN-S-04-JD	BRUSH ASSY.	JD3800-G-04
APG3560CN-S-05-JD	TAPPING SCREW	JD3800-G-05
APG3560CN-S-06-JD	RR HOUSING	JD3800-G-06
APG3560CN-S-07-JD	PAN SCREW	JD3800-G-07
APG3560CN-S-08-JD	FLANGE BOLT (M6X 179)	JD6500-G-08
APG3560CN-S-09-JD	AUTO VOLTAGE REG. ASSY.	JD6500-G-09
APG3560CN-S-10-JD	GENERATOR COVER	JD3800-G-10
APG3560CN-S-11-JD	CABLE TIE	JD3800-G-11
APG3560CN-S-12-JD	FLANGE BOLT	JD3800-G-12
APG3560CN-S-13-JD	ROTOR COMP.	JD6500-D-03
APG3560CN-S-14-JD	BEARING ASSY.	JD3800-G-14
APG3560CN-S-15-JD	PLAIN WASHER	JD3800-G-15
APG3560CN-S-16-JD	FLANGE BOLT (M10)	JD6500-D-04
APG3560CN-S-17-JD	FLANGE BOLT (M5)	JD6500-D-05

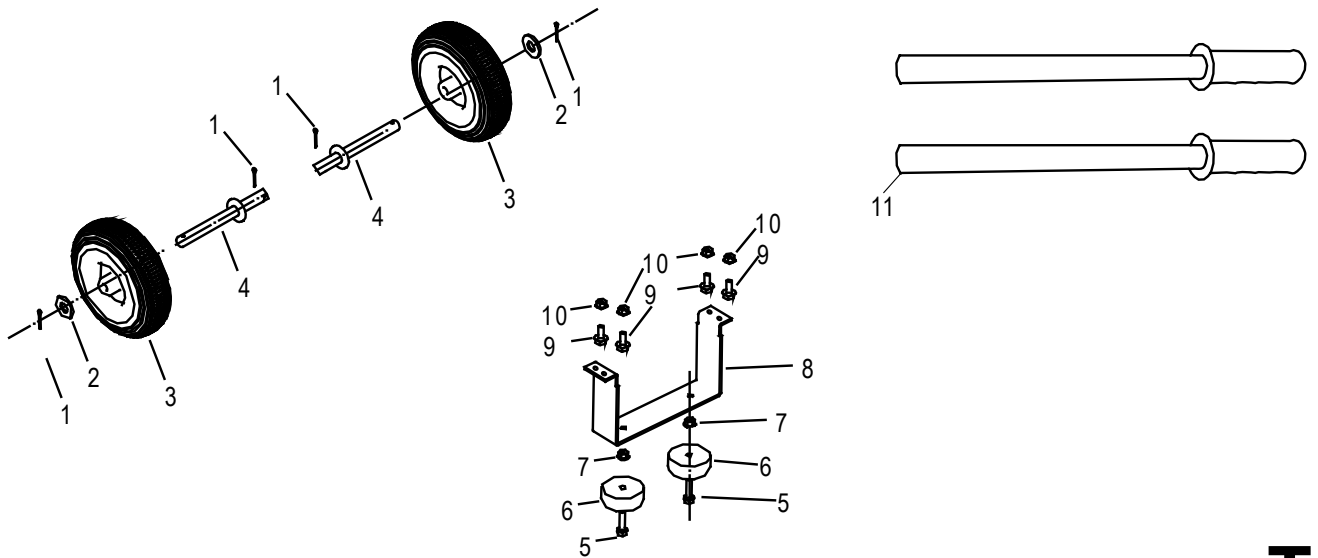
6000W Propane Generator

Generator

APA Part No.	De scription	Part No.
APG3560CN-S-18-JD	HEX.BOLT (M5 X 20)	JD3800-G-18
APG3560CN-S-19-JD	VOLT CHANGE TERMINAL BR-AC-W	JD3800-G-19
APG3560CN-S-20-JD	PLAIN WASHER (5mm)	JD3800-G-20
APG3560CN-S-21-JD	HEX. NUT (M5)	JD3800-G-21
APG3560CN-S-22-JD	SPRING WASHER (5mm)	JD3800-G-22
APG3560CN-S-23-JD	CRANK CASE GROMMET	JD3800-G-23

6000W Propane Generator

Wheel & Handle Assy.



T

APA Part No.	Description	Part No.
APG3560CN-T-01-JD	COTTER PIN	JD6500-T-01
APG3560CN-T-02-JD	PLAIN WSHER	JD6500-T-02
APG3560CN-T-03-JD	WHEEL	JD8000-T-03
APG3560CN-T-04-JD	SHAFT	JD8000-T-04
APG3560CN-T-05-JD	FLANGE BOLT	JD6500-T-05
APG3560CN-T-06-JD	VIBRATION ABSORBER	JD6500-T-06
APG3560CN-T-07-JD	FLANGE NUT (M8)	JD6500-T-07
APG3560CN-T-08-JD	STAND	JD6500-T-08
APG3560CN-T-09-JD	FLANGE BOLT (M6X 16)	JD6500-T-09
APG3560CN-T-10-JD	FLANGE NUT (M8)	JD6500-T-10
APG3560CN-T-11-JD	HANDLE	JD8000-T-11