



## Product Data Sheet



### Product Data

Material	Product Size	
Polyethylene Foam - Color: Pink	50 ft rolls	3-½", 5-½", 7-½" widths; ¼" thick
Polyethylene Foam - Color: Black	50 ft rolls	3-½", 5-½", 7-½" widths; 3/16" thick

### Packaging

Size	Rolls per Bag	Bags per Carton	Rolls per Carton	Cartons per Unit
3½" W x 50' L	12	16	192	4
5½" W x 50' L	8	16	128	4
7½" W x 50' L	6	16	96	4

Coverage: Approximately 4 rolls per average house

### Description

*FoamSealR* gasket is a material which provides resilient sealing in new and retrofit construction. *FoamSealR* gasket is made of polyethylene foam, offering exceptional durability and moisture resistance for years of energy saving performance.

### Uses

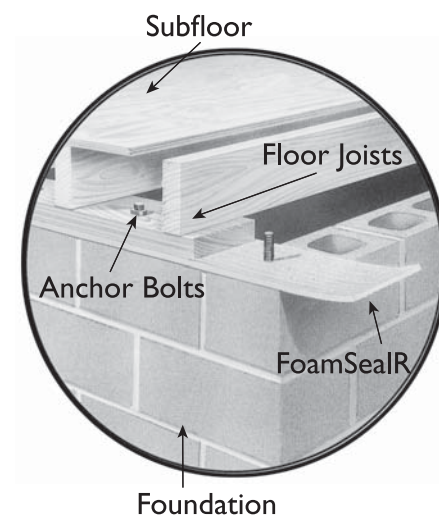
- Provide seal against air leakage, moisture and insect intrusion at the juncture of the foundation wall and sill plate.
- Expansion joint material in poured concrete and concrete block slab and wall construction.
- Seal cracks and penetrations against air leakage under residing.
- It also helps stop air, moisture and insects when installed in window and door frame openings or around building sections or panels.

### Features & Benefits

- Minimize Air Leakage - *FoamSealR* gasket minimizes air leakage at the foundation wall sill plate juncture, thus reducing heat gain and loss and their associated costs.
- Resists Moisture—*FoamSealR* sill plate gasket is made from polyethylene foam which helps resist moisture movement from the foundation wall into the wooden structure.
- Insect Resistant—*FoamSealR* sill plate gasket acts as a barrier to insects, sealing them out of the structure.
- Installs quickly and easily, with no special tools.

### Sill Plate Installation

1. Smooth top surface of foundation wall to have minimal variation.
2. Unroll *FoamSealR* gasket on top surface of foundation wall or fasten to bottom of sill plate on tilt-up wall sections with ridged side toward roughest surface.
3. Overlap all end and perpendicular joints.
4. Pierce *FoamSealR* gasket at anchor bolt locations.
5. Set and anchor sill plate to foundation wall.





Product Data Sheet

**Caution:** *FoamSealR* gasket is combustible and will ignite. The product may contain flammable vapors and should be stored in well ventilated areas. Do not expose the product to open flame during shipping, storage, installation or use.

Grinding, sawing or fabrication activities that cut large numbers of interior foam cells can release localized amounts of flammable residual blowing agent or release dust particles that under certain conditions may ignite or form explosive dust atmospheres. Breathing dust may be irritating to eyes, nose and throat. As a precaution, one may choose to wear a disposable dust respirator.

This product should be installed in accordance with applicable building codes. Please refer to the Material Safety Data Sheet for more information.

**Technical Data**

Performance Attribute	Test Method	Nominal Value Results
Compression Strength Vertical Direction (psi)	ASTM D3575 Suffix D @ 25%/50%	Pink: 2.8 (25%)/10.6 (50%) Black: 2.7 (25%)/10.4 (50%)
Compression Set (%)	ASTM D3575 Suffix B	Pink: 29.8 Black: 29.4
Water Absorption (lb/ft2)	ASTM D3575 Suffix L	<0.1
Water Vapor Transmission	ASTM E-96	Pink: Dry Cup: 0.206 perm
Mold testing	ASTM G-21	Does not support mold growth
GREENGUARD Indoor Air Quality Certification		Certified

**Disclaimer of Liability**

Technical information contained herein is furnished without charge or obligation and is given and accepted at recipient's sole risk. Because conditions of use may vary and are beyond our control, Owens Corning makes no representation about, and is not responsible or liable for the accuracy or reliability of data associated with particular uses of any product described herein.

GREENGUARD Certified products are certified to GREENGUARD standards for low chemical emissions into indoor air during product usage. For more information, visit [ul.com/gg](http://ul.com/gg).

LEED is a registered trademark of the U.S. Green Building Council.



**OWENS CORNING FOAM INSULATION, LLC**  
ONE OWENS CORNING PARKWAY  
TOLEDO, OHIO 43659  
**1-800-GET-PINK®**  
[www.owenscorning.com](http://www.owenscorning.com)

Pub. No. 23514-G. Printed in U.S.A. August 2015. THE PINK PANTHER™ & ©1964-2015 Metro-Goldwyn-Mayer Studios Inc. All Rights Reserved. The color PINK is a registered trademark of Owens Corning. © 2015 Owens Corning. All Rights Reserved.

