

SWITCH ACTIVATED

SPEC SHEET

**1 LIGHT
2 MOUNTS**



Commercial Electric's highly-versatile compact LED Flood Light with Wall Pack Mount Kit offers a wide range of security and architectural lighting applications. The fixture comes with two types of mounting arms: (1) a standard 1/2" swivel NPS floodlight mount for ground installations or wall and eave mounting, and (2) an angle-adjustable wall pack plate to transform the light into an architecturally stunning full-cutoff wall pack.

LED TECHNOLOGY		LIGHTING PERFORMANCE	
LUMENS	3000 lm		
SYSTEM WATTAGE	28W		
MOUNTING	Wall/Surface Mount		
FREQUENCY	50-60 HZ		
THD	<20%		
PF	>0.9		
AMBIENT OPERATING RANGE	-20-40°C		
INPUT VOLTAGE	120-277V		
EFFICACY	>107 LM/W		
LED CHIP	Philips® LED		
DRIVER	YG® driver technology		
DRIVER EFFICIENCY	>85%		
STANDARD LIFETIME	>50,000 hours		
STANDARD WARRANTY	5 Years		
WATER PROOFING GRADE	IP65		
WEIGHT	1.65 lbs		
CCT	4000 Kelvin (Bright White)		
DIMENSIONS	6.46" x 2" x 7.80"		

PRODUCT PERFORMANCE AT A GLANCE

SYSTEM WATTAGE	LED WATTAGE	LUMENS	LP/W	CRI	REPLACES (MH)
28W	26W	3000 lm	107 lm/w	≥70	100W

HOUSING

Die cast aluminum housing with UV-stabilized vandal-resistant polycarbonate precision lens.

IP RATING & LISTINGS

LED light engine is weather proof rated IP65.

DLC, cULus

OPTICS

Wide beam with even distribution provides inviting security lighting.

MOUNTING

Wall Plate:
Unit has a detachable mounting plate with hanging wire that allows for hands-free installation when making electrical connections. Integral bubble level included.

Knuckle Mount:
1/2" swivel NPS floodlight mount for ground installations or wall and eave mounting.

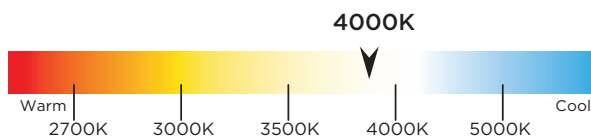
FINISH

Fade, weather, and abrasion resistant, electrostatically applied, thermally cured, triglycidyl isocyanurate (TGIC) textured polyester powdercoat finish. Paint is bronze.

APPLICATION

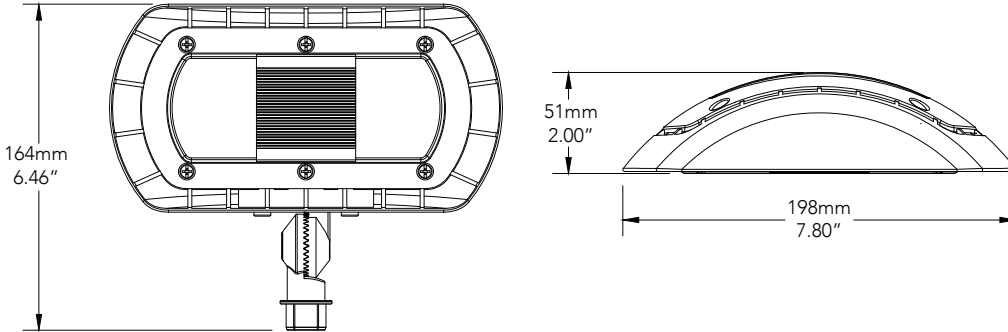
Versatile fixture for wall and eave mount applications as well as facade, ground and landscape lighting, both for residential and commercial applications.

LIGHT APPEARANCE (CCT)



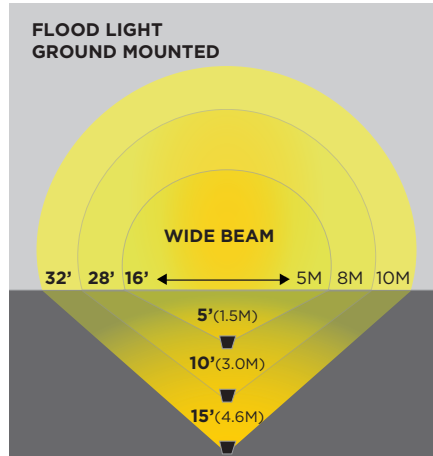
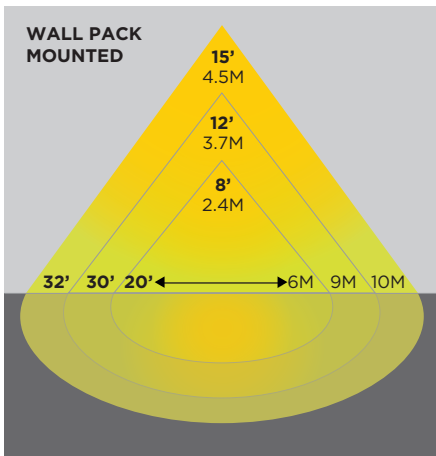
*All results according to IESNA - LM79-2008
*Light Output reported as total integrated lumens (light source & fixture)

PRODUCT LINE DRAWING



SUGGESTED MOUNTING HEIGHT:
6-12 FT.(1.8-3.7 M)

3D PHOTOMETRIC VIEW



APPLICATIONS

