

IMPORTANT SAFETY INSTRUCTIONS

Read and follow all instructions before using your oven to prevent the risk of fire, electric shock, personal injury, or damage when using the oven. This guide does not cover all possible conditions that may occur. Always contact your service agent or manufacturer about problems that you do not understand.

Download this owner's manual at: www.lg.com



This is the safety alert symbol. This symbol alerts you to potential hazards that can result in property damage and/or serious bodily harm or death. All safety messages will follow the safety alert symbol and either the word **WARNING** or **CAUTION**. These words mean:



WARNING

Indicates a hazardous situation which, if not avoided, could result in death or serious injury.



CAUTION

Indicates a hazardous situation which, if not avoided, could result in minor or moderate injury.

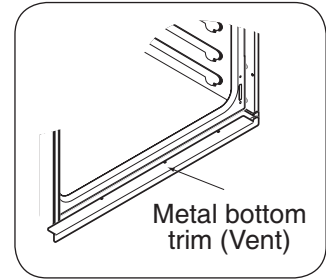
SAFETY PRECAUTIONS

- Be certain your appliance is properly installed and grounded by a qualified technician.
- Do not repair or replace any part of the appliance unless specifically recommended in the manual.
- All other servicing should be referred to a qualified technician.
- Always disconnect power to appliance before servicing by unplugging, removing the fuse or switching off the circuit breaker.
- **DO NOT TOUCH HEATING ELEMENTS OR INTERIOR SURFACES OF OVEN.**
Heating elements may be hot even though they are dark in color. Interior surfaces of an oven become hot enough to cause burns. During and after use, do not touch or let clothing or other flammable materials contact heating elements or interior surfaces of oven until they have had sufficient time to cool. Other surfaces of the appliance may become hot enough to cause burns. Among these surfaces are oven vent openings and surfaces near these openings, oven doors, and windows of oven doors.
- **Use care when opening door.**
Let hot air or steam escape before you remove or replace food in the oven.
- **Do not heat unopened food containers.**
Build-up of pressure may cause containers to burst and result in injury.

SAFETY PRECAUTIONS (CONT.)

- **Keep oven vent ducts unobstructed.**

The oven vent could become hot during oven use. Never block this vent and never place plastic or heat-sensitive items on or near the vent.

**NOTE:**

For proper operation vent trim must be installed.

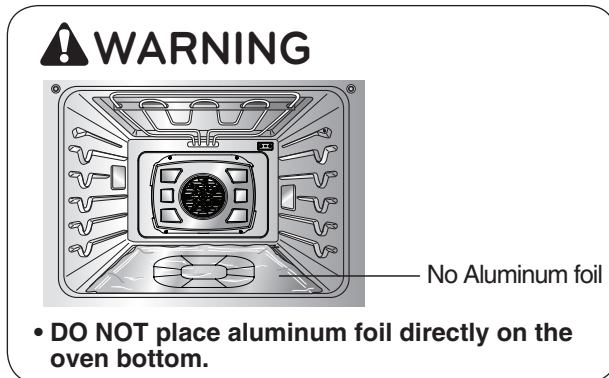
! WARNING

- **NEVER use your appliance for warming or heating the room.**
- **DO NOT use water on grease fires.** Should an oven fire occur, leave the oven door closed and turn the oven off. If the fire continues, throw baking soda on the fire or use a fire extinguisher.
- **Use dry pot holders only.** Moist or damp pot holders on hot surfaces may result in burns from steam. Do not let the pot holder touch hot heating elements. Do not use a towel or other bulky cloth.
- **Do not use the oven or the drawer for storage.** Flammable materials should not be stored in or on an oven.
- **Wear proper apparel.** Loose-fitting or hanging garments should never be worn while using the appliance.

- **Be certain all packing materials are removed from the appliance before operating.** Keep plastics, clothes, and paper away from parts of the appliance that may become hot.
- **DO NOT force the door open.** This can damage the automatic door locking system. Use care when opening the oven door after the self-cleaning cycle. Stand to the side of the oven when opening the door to allow hot air or steam to escape. The oven may still be VERY HOT.
- **DO NOT use a steel-wool pad.** It will scratch the surface.
- **DO NOT use harsh etching, abrasive cleaners or sharp metal scrapers to clean the oven door glass since they can scratch the surface.** This may result in the glass shattering.
- **Be careful when removing and lifting the door.**
- **DO NOT lift the door by the handle.** The door is very heavy.
- **DO NOT step or sit on the oven door.** Be sure to follow proper installation instructions.

ELECTRICAL SAFETY

- **Protective Liners.** Do not use aluminum foil or any other material to line the oven bottoms. Improper installation of these liners may result in a risk of electric shock or fire.
- **Do Not** allow aluminum foil or the meat probe to contact heating elements.



- **DO NOT line the oven walls, racks, bottom, or any other part of the oven with aluminum foil or any other material.** Doing so will disrupt heat distribution, produce poor baking results and cause permanent damage to the oven interior (aluminum foil will melt to the interior surface of the oven.)
- **Before replacing your oven light bulb, switch off the electrical power to the oven at the main fuse or circuit breaker panel.** Failure to do so can result in severe personal injury, death, or electrical shock.

SAFETY DURING USE

- **Oven Racks.** Always place oven racks in the desired position while the oven is cool.
- **Always use pot holders or oven mitts when removing food from the oven.** Hot cookware or plates can cause burns.
- **Use caution with the TIMED BAKE or DELAYED TIMED BAKE features. Use the automatic timer when cooking cured or frozen meats and most fruits and vegetables. Foods that can easily spoil, such as milk, eggs, fish, meat or poultry, should be chilled in the refrigerator first. Even when chilled, they should not stand in the oven for more than 1 hour before cooking begins, and should be removed promptly when cooking is completed.** Eating spoiled food can result in sickness from food poisoning.
- **Should an oven fire occur, leave the oven door closed and turn the oven off. If the fire continues, throw baking soda on the fire or use a fire extinguisher.**
- **DO NOT put water or flour on the fire.** Flour may be explosive and water can cause a grease fire to spread and cause personal injury.
- **DO NOT use the broiler pan without the grid. DO NOT cover the grid with aluminum foil.**

CHILD SAFETY

WARNING

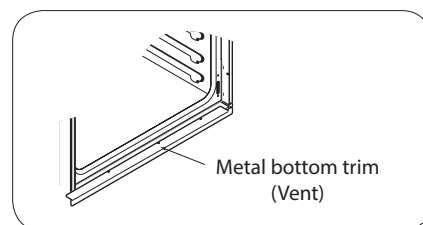
- **Children should be kept away from the oven.**
- **Accessory parts will become hot when the broiler is in use.**

CAUTION

- **Children should not be left alone or unattended in an area where the appliance is in use. Children should never be allowed to sit or stand on any part of the appliance.**
- **DO NOT leave small children unattended near the appliance.** During the self-cleaning cycle, the outside of the oven can become very hot to the touch.

SAFETY WHEN CLEANING

- **Do not clean the door gasket.** The door gasket is essential for a good seal. Care should be taken not to rub, damage, or move the gasket.
- **Do not use oven cleaners.** No commercial oven cleaner or oven liner protective coating of any kind should be used in or around any part of the oven.
- **Before self cleaning the oven,** remove broiler pan, all oven racks, meat probe and any other utensils from the oven cavity.
- **Never keep pet birds in the kitchen.** The health of birds is extremely sensitive to the fumes released during an oven self-clean cycle. Fumes may be harmful or fatal to birds. Move birds to a well-ventilated room.
- **Important instruction :** In the event the self clean error code F is displayed, and error melody sounds, the oven is malfunctioning in the self clean mode. Switch off the electrical power to the main fuse or breaker and have the appliance serviced by a qualified technician.
- **Make sure oven lights are cool before cleaning. Clean only parts listed in manual.**
- **DO NOT block the oven vent during operation.** This can damage the electric parts of the oven. Air must be able to move freely. The metal bottom trim (vent) should be properly assembled on the front bottom of the oven before installing the oven door.



COOK MEAT AND POULTRY THOROUGHLY

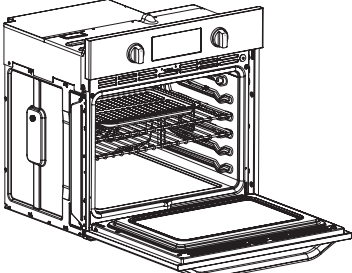
To protect against food-borne illnesses, cook meat and poultry thoroughly. The USDA has indicated the following as safe minimum internal temperatures for consumption:

- Ground beef: 160 °F
- Poultry: 165 °F
- Beef, veal, pork, or lamb: 145 °F
- Fish/seafood: 145°F

PRODUCT OVERVIEW

ACCESSORIES

Make sure that all parts are included after purchasing this product.



Electric convection built-in oven

Accessories for Cooking

- Grid
- Heavy duty racks (Standard Rack) (2 ea)
- Broiler pan
- Telescoping rack (1 ea)
- Meat probe

Accessories for Installation

- 6 wood screws for mounting (4 needed for installation and 2 extras)

Accessories for EasyClean®

- Spray bottle (1ea)
- Non scratch Scouring Pad (1ea)

Manuals

- Owner's manual
- Installation manual

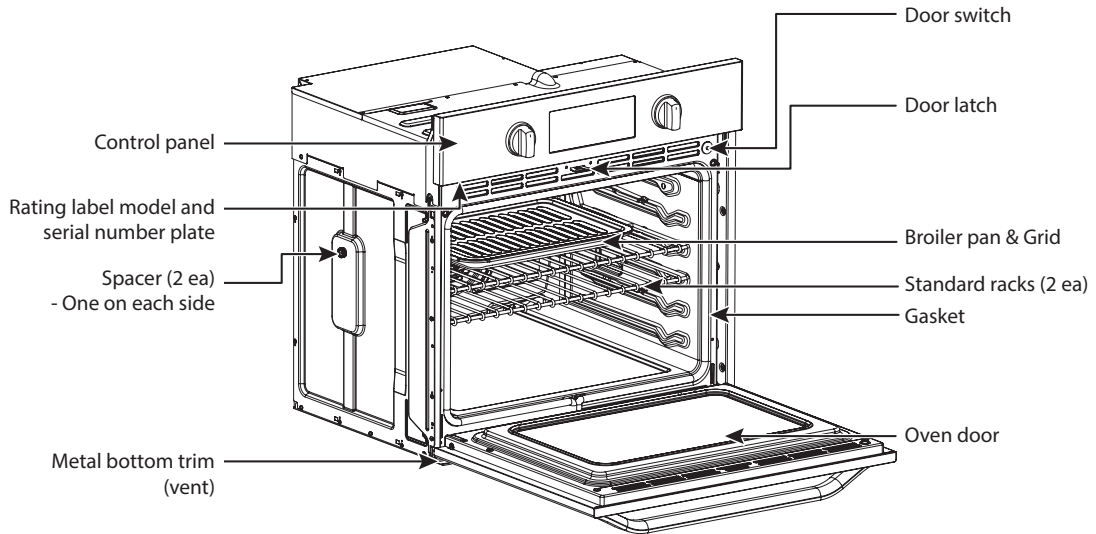
NOTE

- Contact LG Customer Service if any accessories are missing.
- For your safety and for extended product life, only use authorized components.
- The manufacturer is not responsible for product malfunction or accidents caused by the use of separately purchased, unauthorized components.
- The images in this guide may be different from the actual components and accessories, which are subject to change by the manufacturer without prior notice for product improvement purposes.

OVEN OVERVIEW

Make sure to understand the name and function of each part.

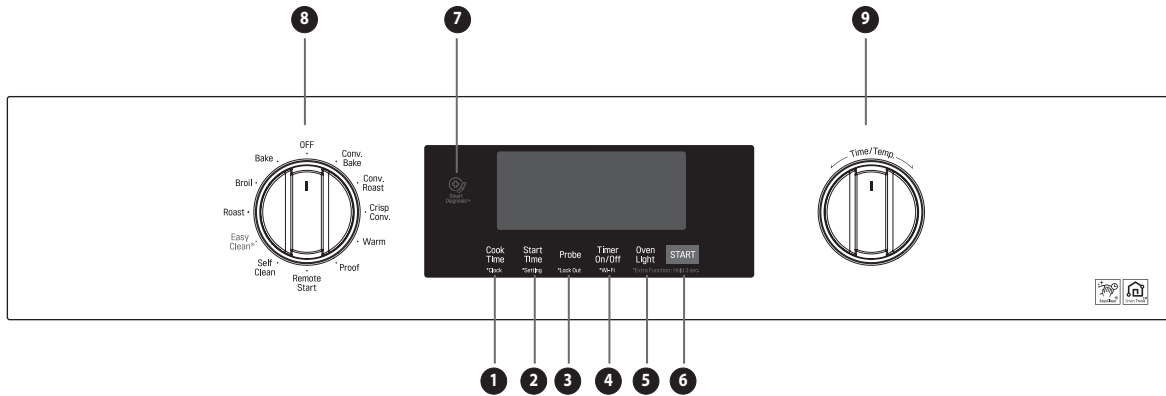
* Throughout this manual, the features and appearance may vary depending on your model.



NOTE

- The model and serial number can be verified at the rating label.

CONTROL PANEL OVERVIEW



Name	Description
1 Cook Time / Clock	<ul style="list-style-type: none"> – Touch button and turn the Time/Temp knob to set the desired amount of time for food to cook. The oven shuts off when the set cooking time runs out. – Touch and hold the button for three seconds to set the time of day.
2 Start Time / Setting	<ul style="list-style-type: none"> – Touch button and turn the Time/Temp knob to set the delayed start time. The oven starts at the set time. – Touch and hold button for three seconds to select and adjust oven settings.
3 Probe / Lockout	<ul style="list-style-type: none"> – Touch button to select probe function. – Touch and hold button for three seconds to activate to active LOCKOUT.
4 Timer On/Off (Wi-Fi)	<ul style="list-style-type: none"> – Touch the button to set or cancel timer on oven. – Touch and hold button for three seconds to connect the appliance to Wi-Fi network.
5 Oven Light	Touch button to turn oven light on/off.
6 Start	Touch button to start all oven features.
7 Smart Diagnosis	Use during the Smart Diagnosis feature.
8 Oven Mode Knob	Turn knob to select oven operating mode.
9 Time/Temp Knob	Turn knob to set temperature or cook time for oven.