



TABLE OF CONTENTS

Options

Grid Options	2
Clear Opening Layout	3

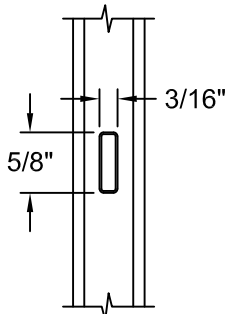
Section Details

Wide Stile Standard Sections	
Vertical Section	4
Horizontal Section	5
3 Panel Horizontal Section	6
4 Panel Horizontal Section	7
Wide Stile Sidelite Sections	
Vertical Section	8
Horizontal Section	9
Wide Stile Transom Sections	
Vertical Section	10
Horizontal Section	11
Wide Stile Flush Fin Sections	
Vertical Section	12
Horizontal Section	13
Narrow Stile Standard Sections	
Vertical Section	14
Horizontal Section	15
3 Panel Horizontal Section	16
4 Panel Horizontal Section	17
Narrow Stile Sidelite Sections	
Vertical Section	18
Horizontal Section	19
Narrow Stile Transom Sections	
Vertical Section	20
Horizontal Section	21
RS Door Narrow Stile Sections	
Vertical Section	22
Horizontal Section	23
Wide Stile Flush Fin Sections	
Vertical Section	24
Horizontal Section	25

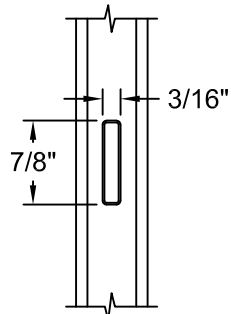


GRID OPTIONS

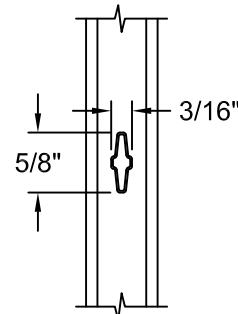
← Exterior / Interior →



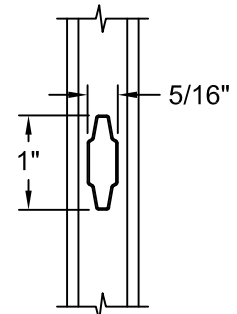
5/8" Flat GBG



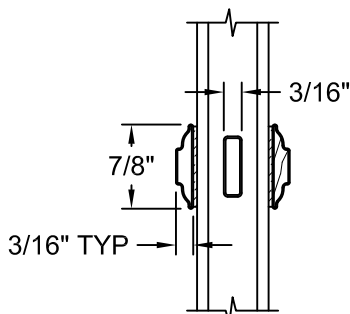
7/8" Flat GBG



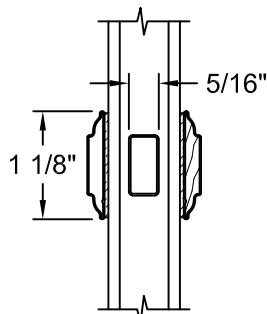
5/8" Contour GBG



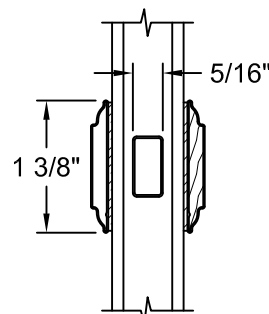
1" Contour GBG



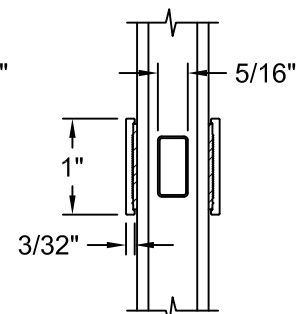
7/8" Contour SDL



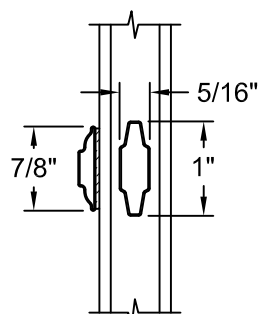
1 1/8" Contour SDL



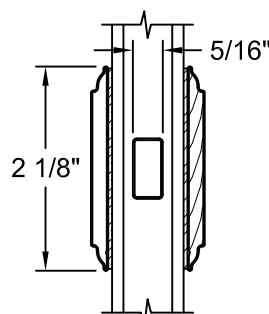
1 3/8" Contour SDL



1" Flat SDL



7/8" Contour SDL
1" Contour GBG

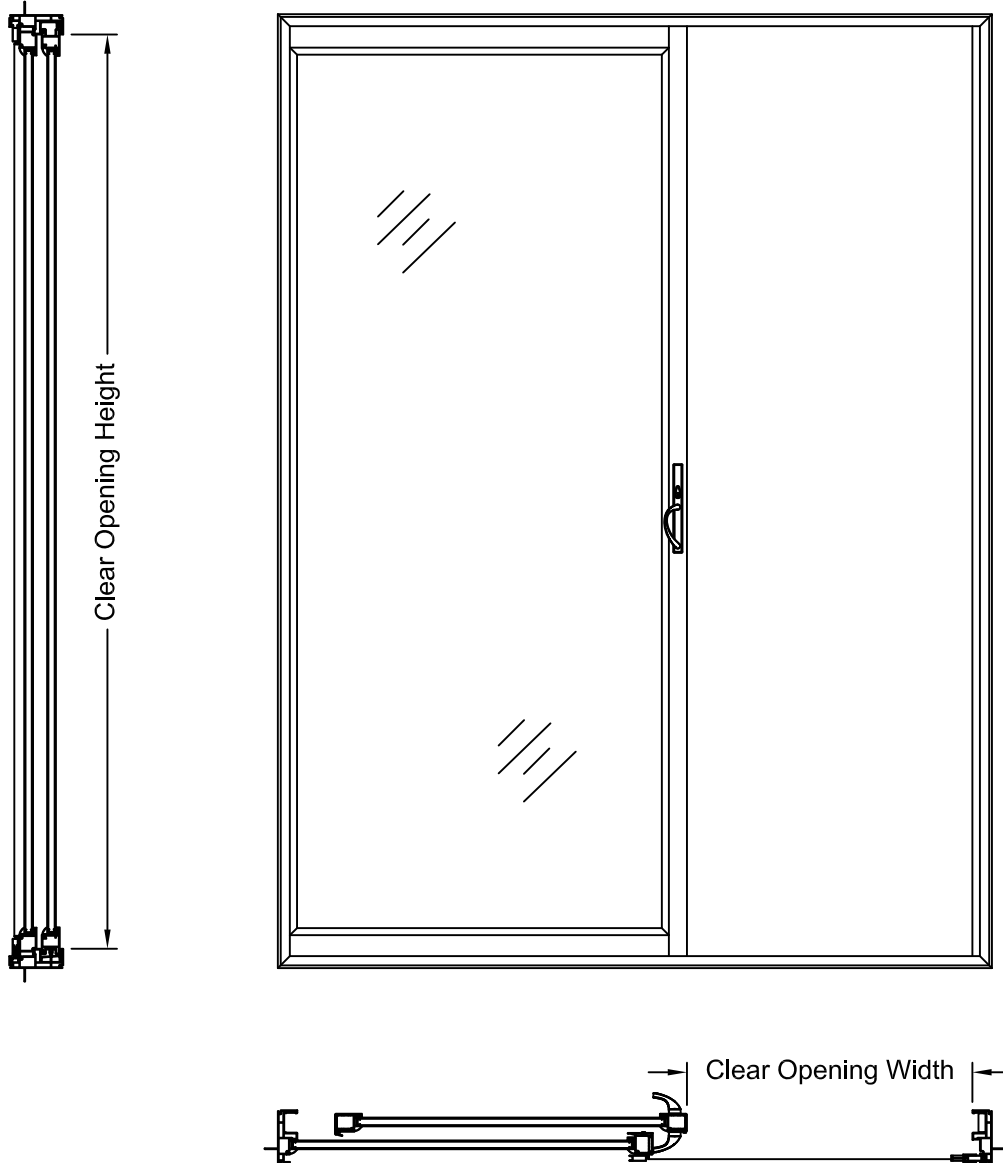


2 1/8" Variable SDL
Non-Intersecting Only

Note: SDL tape thickness is .04"



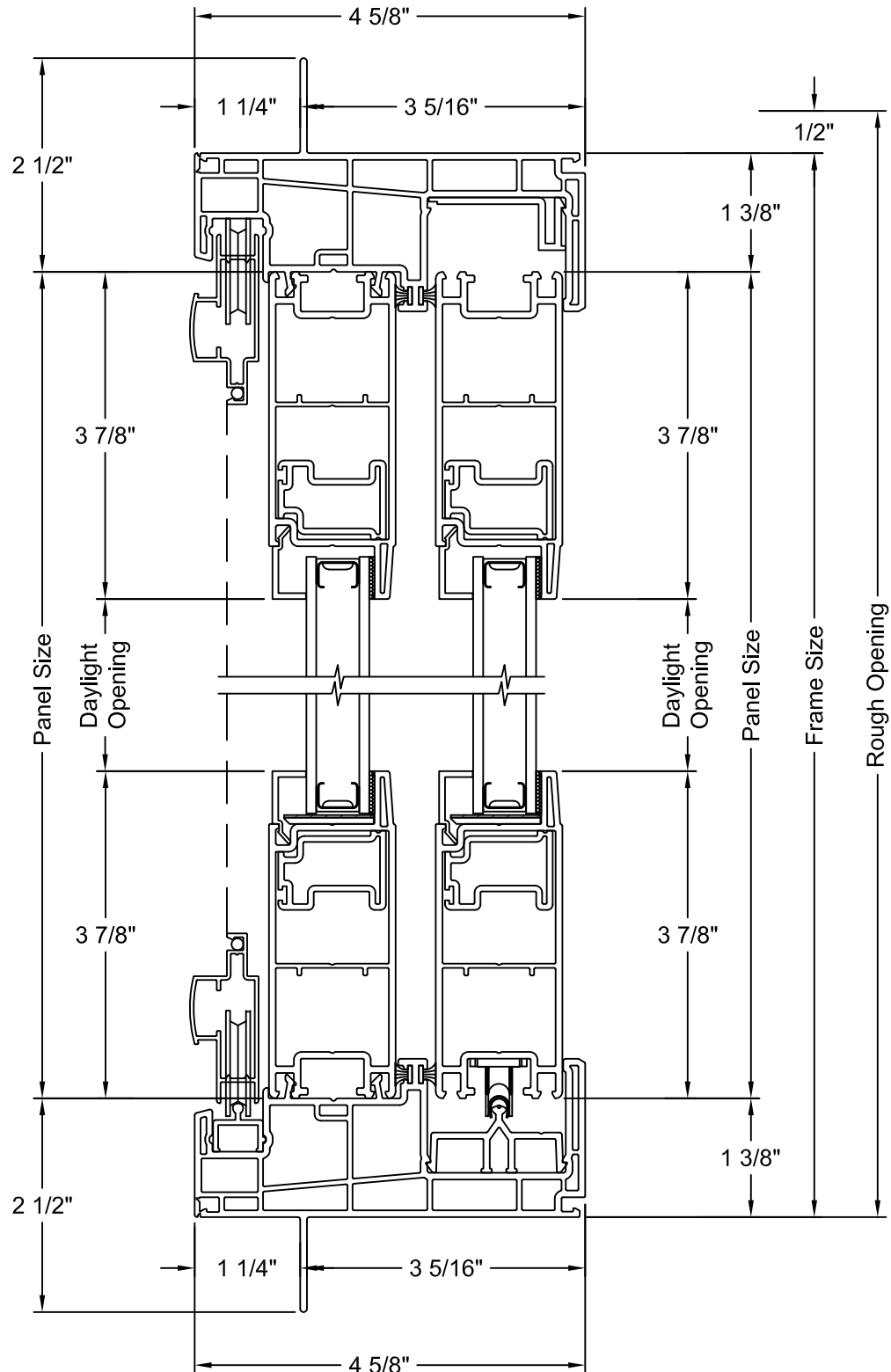
CLEAR OPENING LAYOUT



Clear Opening Formulas		
Door Type	Clear Opening Width	Clear Opening Height
2 Panel Narrow Stile	(Frame Width / 2) - 6.838"	Frame Height - 3.813"
2 Panel Wide Stile	(Frame Width / 2) - 7.623"	Frame Height - 3.813"
3 Panel Narrow Stile	(Frame Width / 3) - 6.925"	Frame Height - 3.06"
3 Panel Wide Stile	(Frame Width / 3) - 7.927"	Frame Height - 3.06"
4 Panel Narrow Stile	(Frame Width / 2) - 11.786"	Frame Height - 3.06"
4 Panel Wide Stile	(Frame Width / 2) - 13.274"	Frame Height - 3.06"

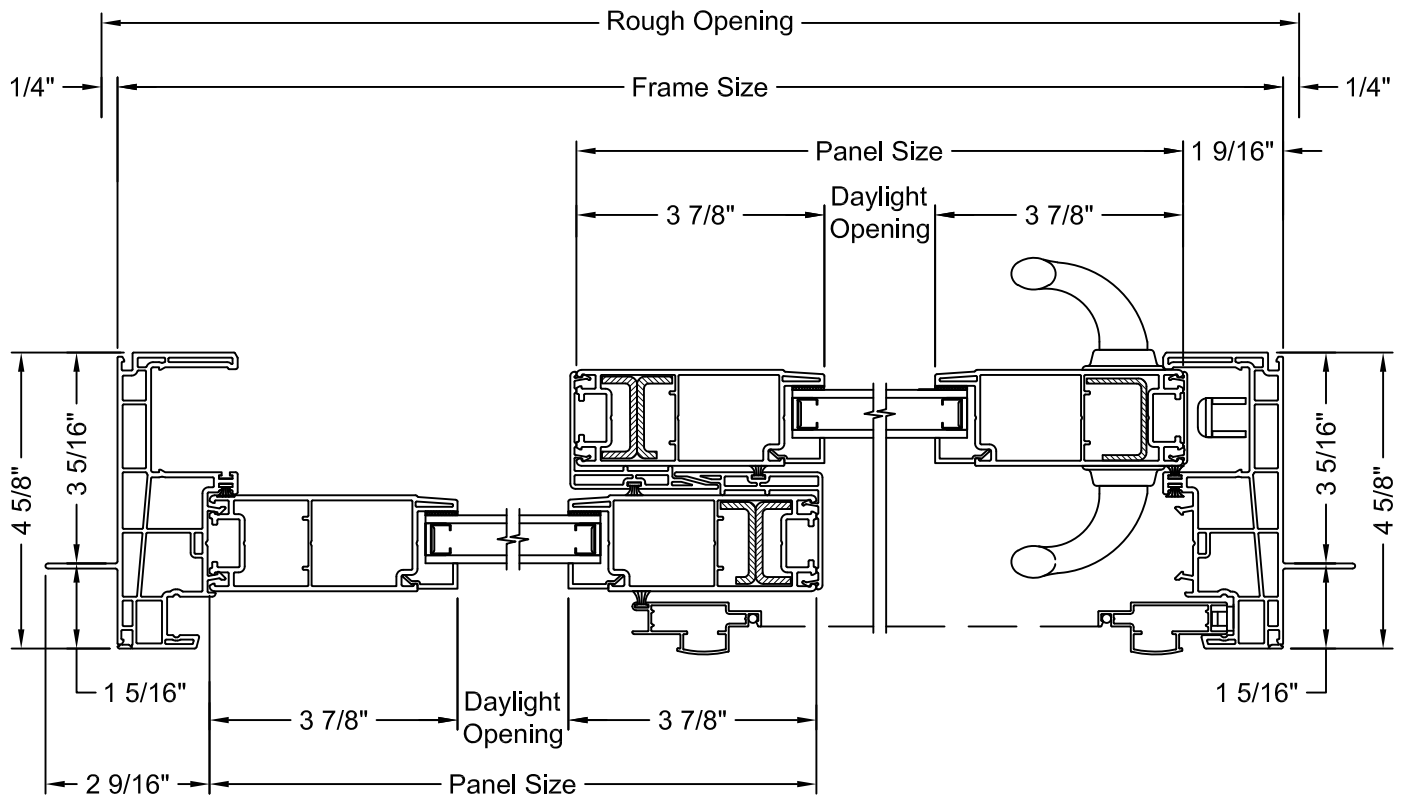


WIDE STILE VERTICAL SECTION



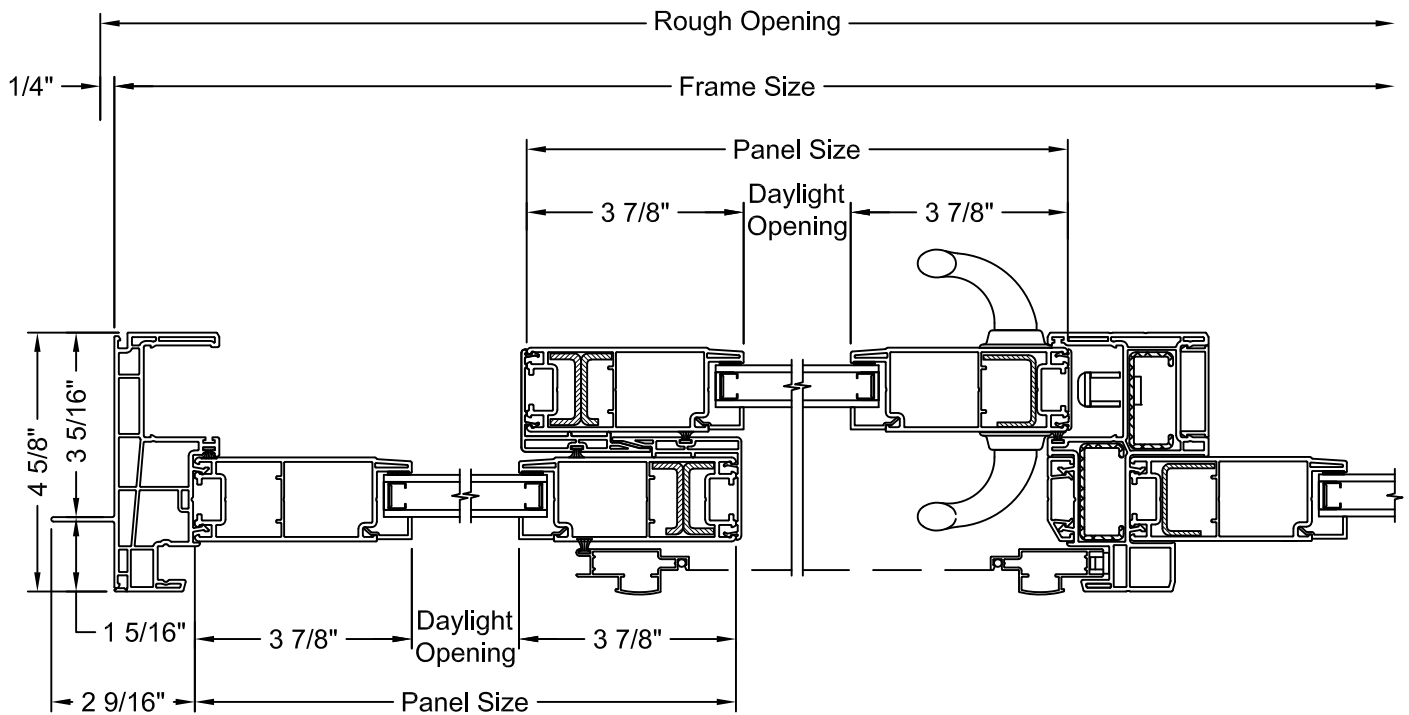
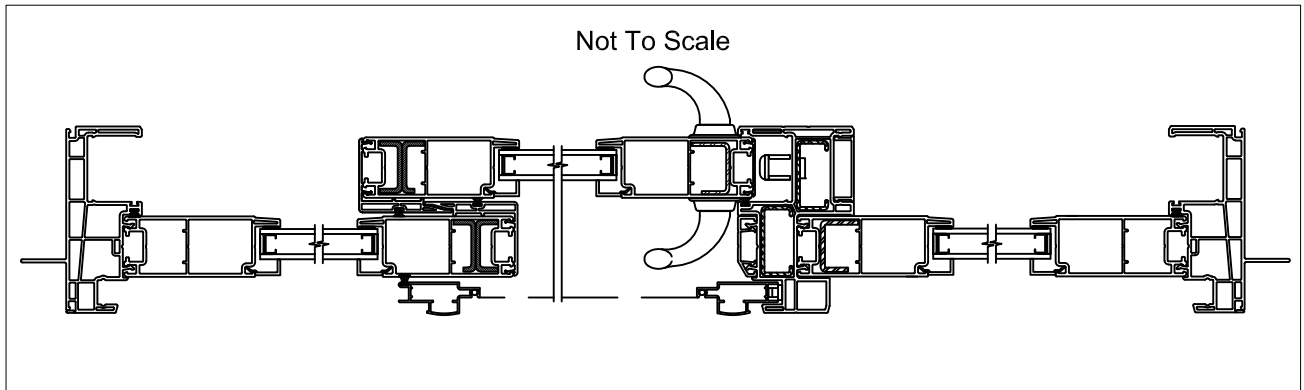


WIDE STILE HORIZONTAL SECTION



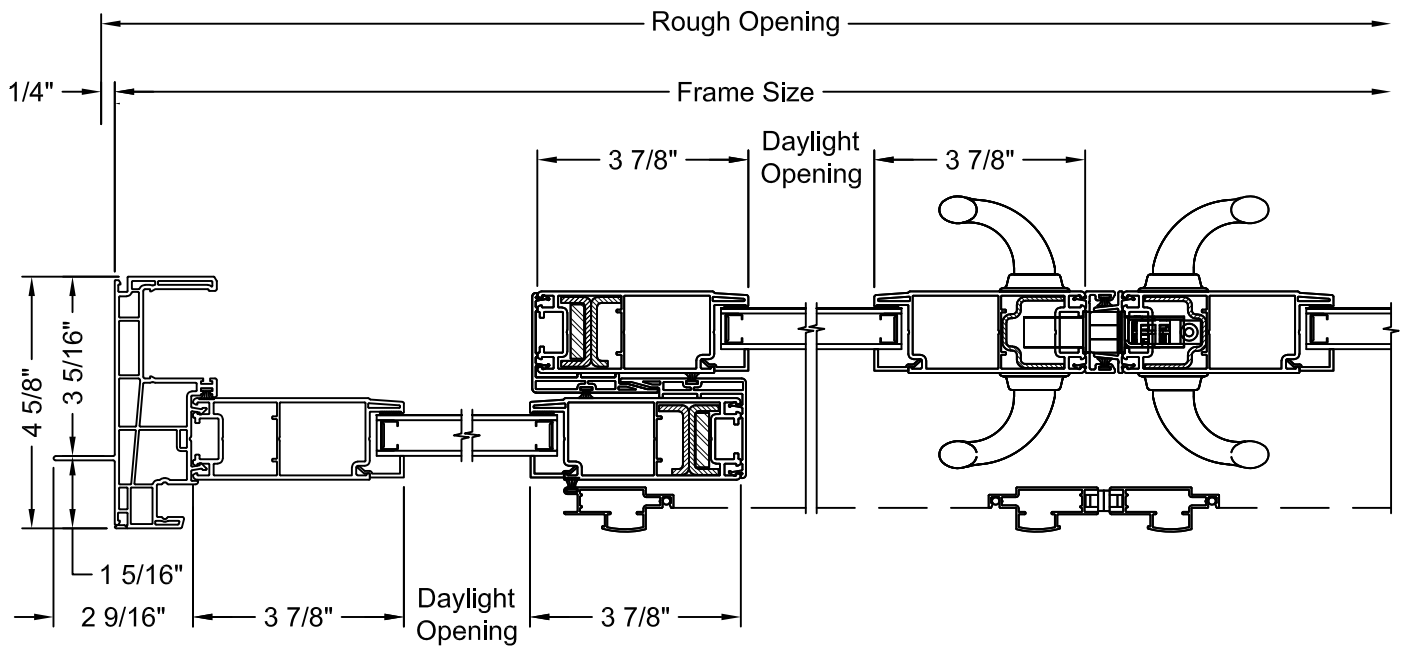
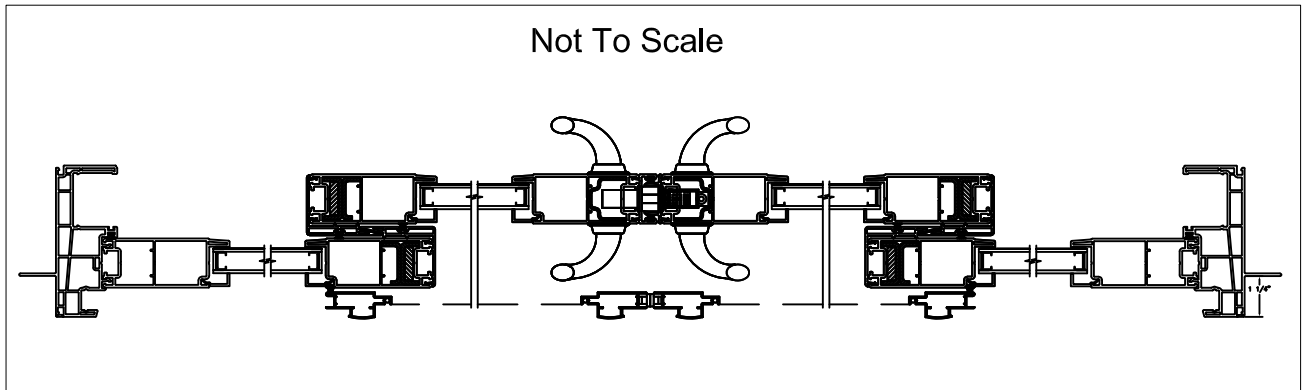


WIDE STILE 3 PANEL HORIZONTAL SECTION



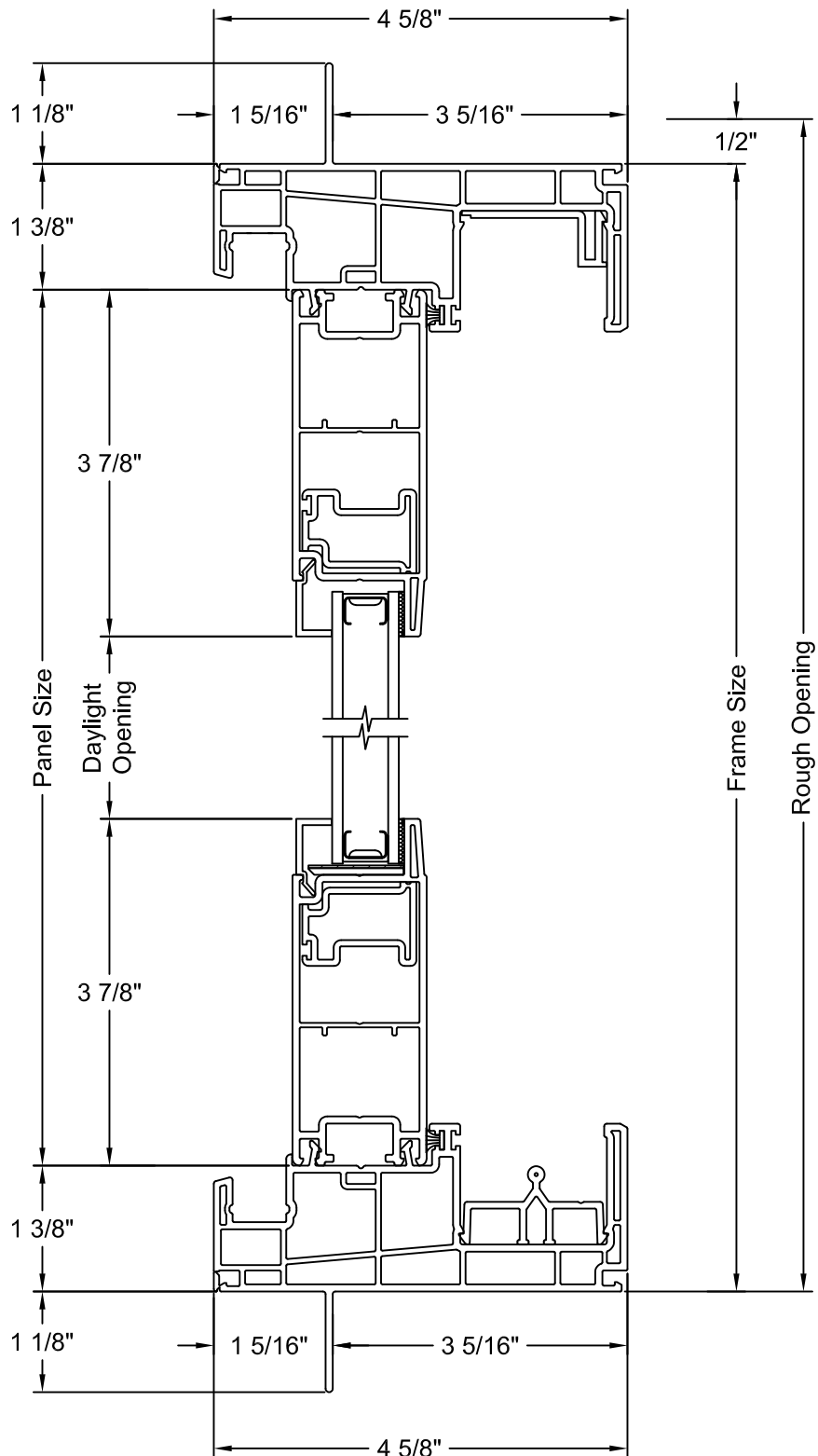


WIDE STILE 4 PANEL HORIZONTAL SECTION



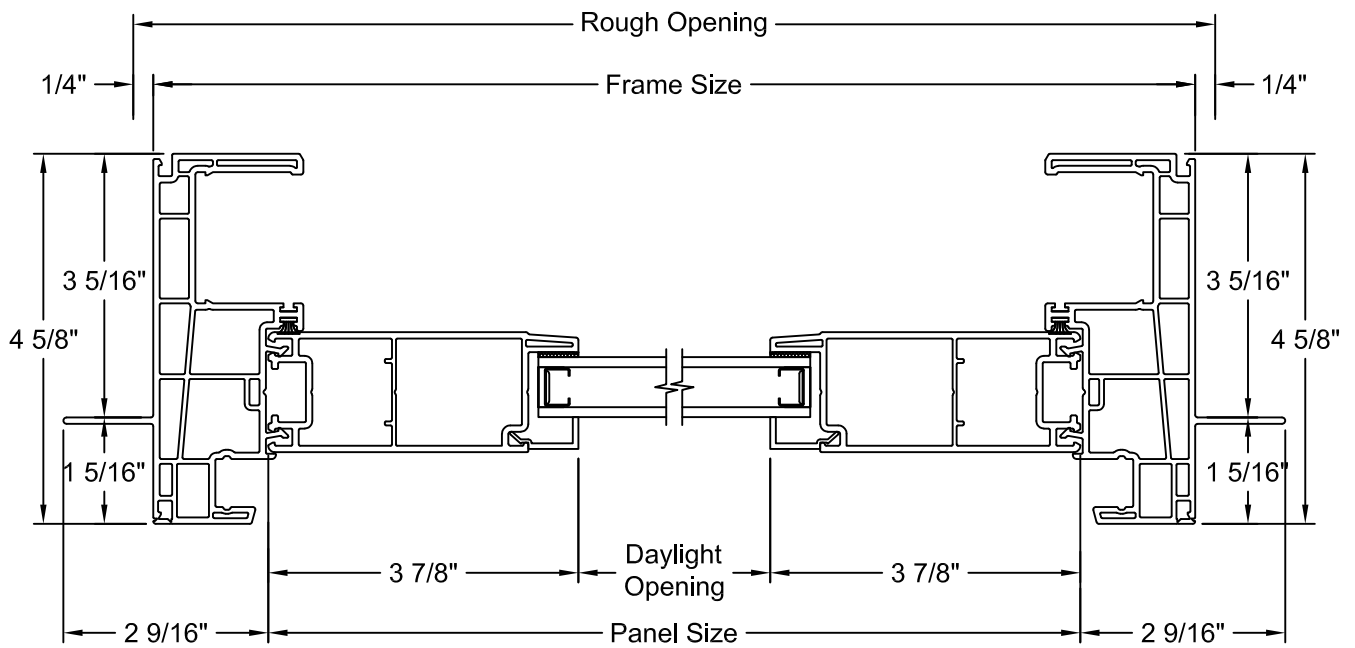


WIDE STILE SIDELITE VERTICAL SECTION



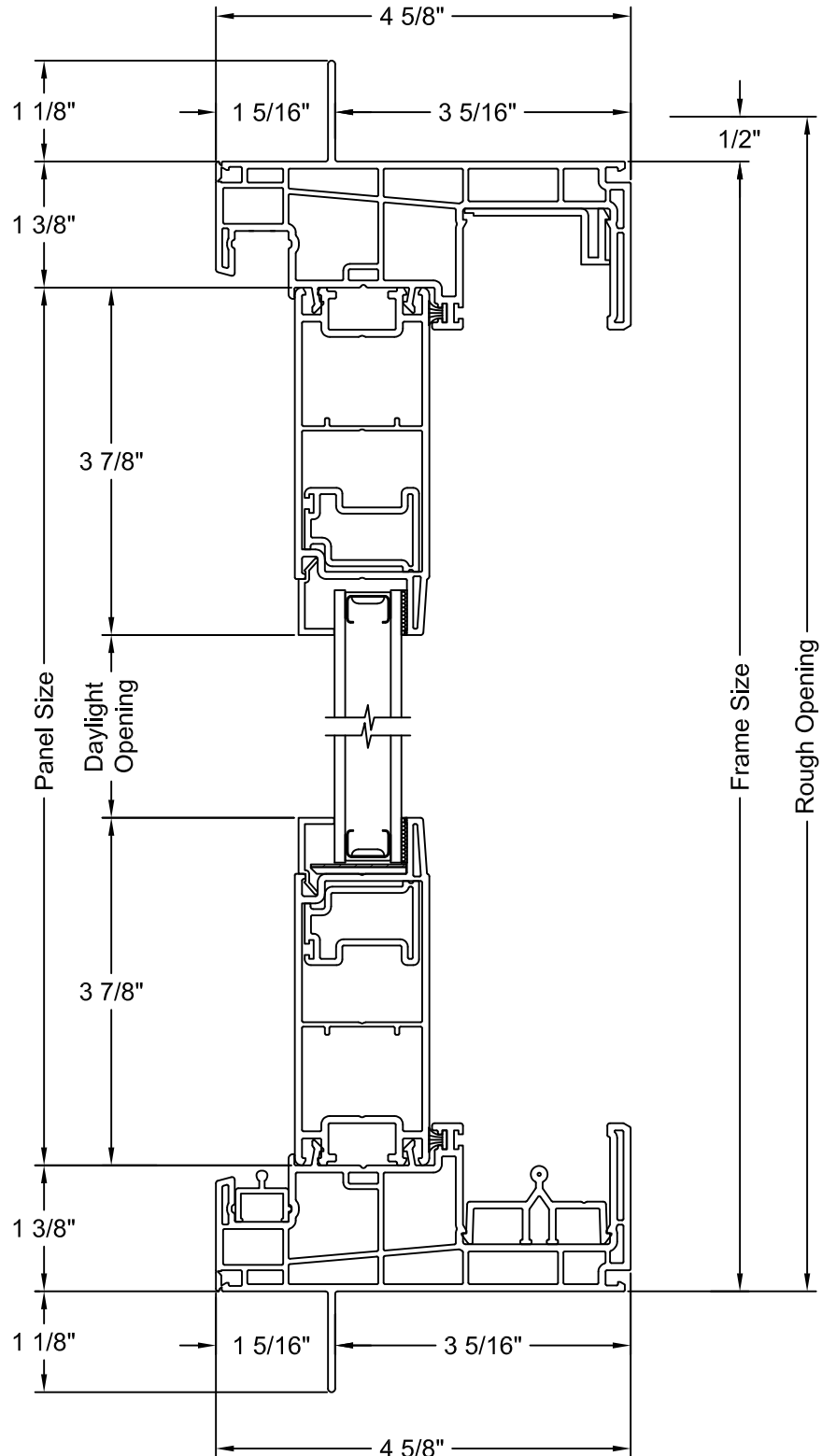


WIDE STILE SIDELITE HORIZONTAL SECTION



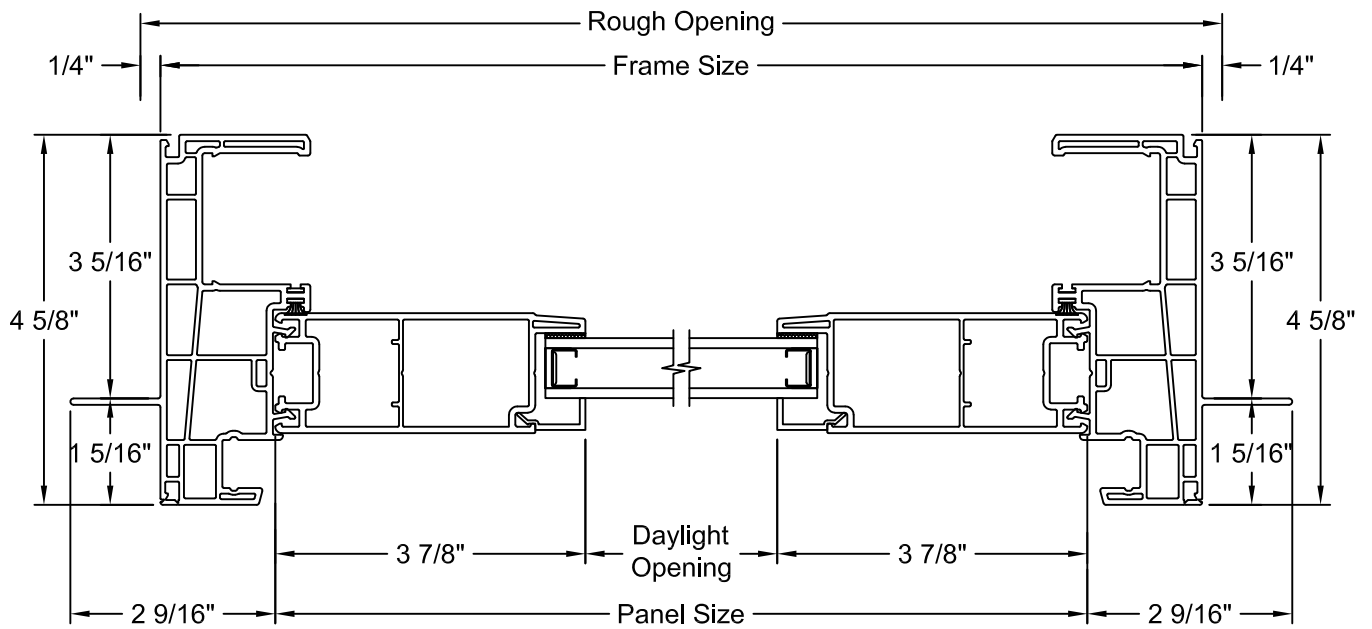


WIDE STILE TRANSOM VERTICAL SECTION



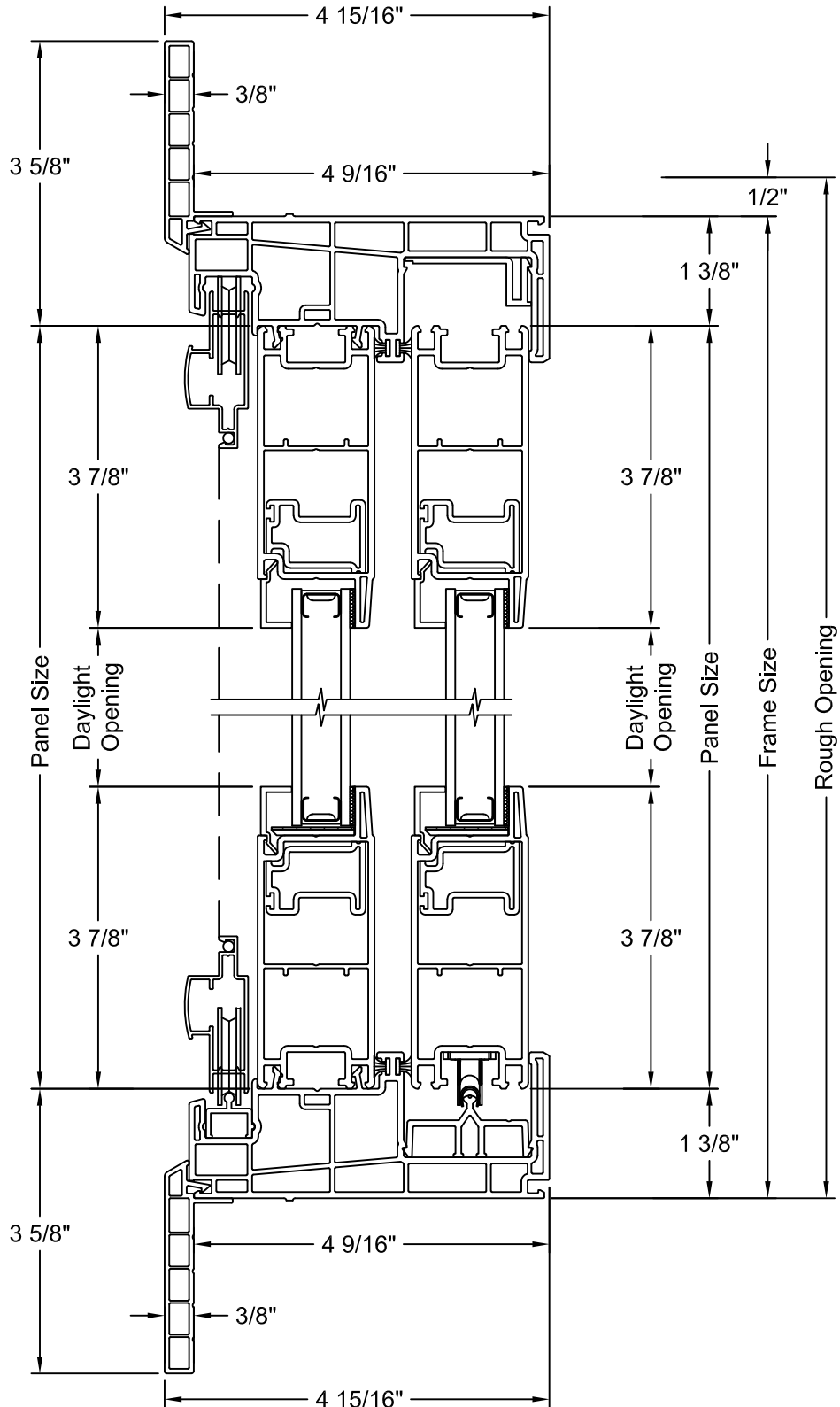


WIDE STILE TRANSOM HORIZONTAL SECTION



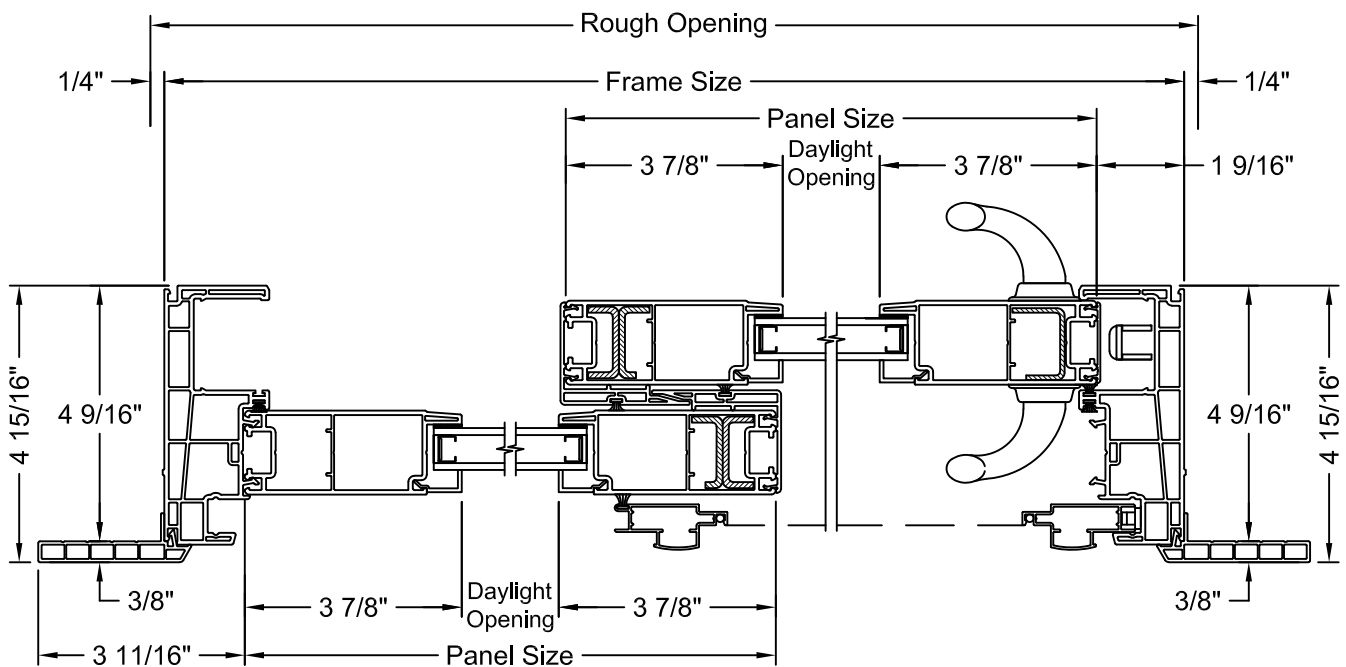


WIDE STILE FLUSH FIN VERTICAL SECTION



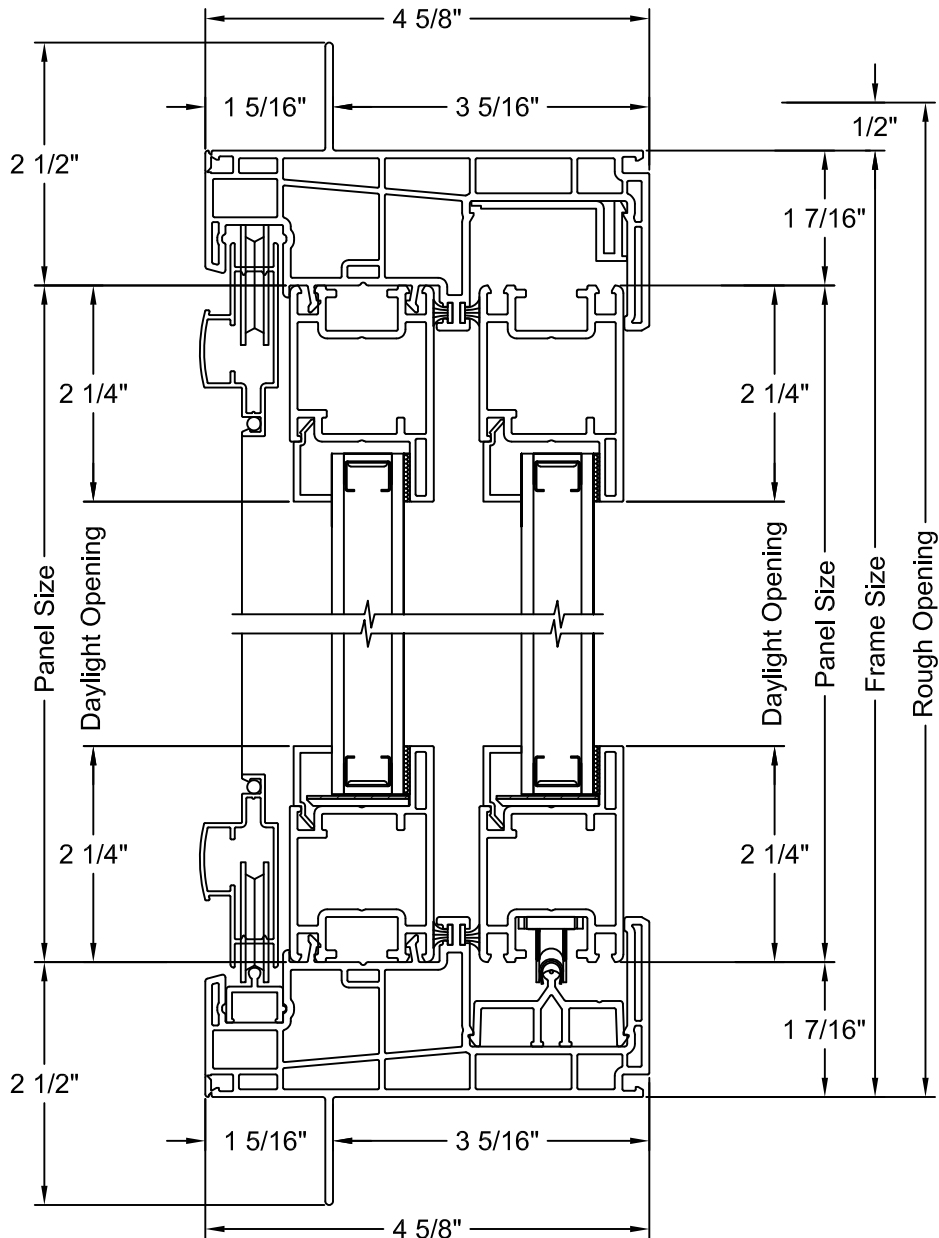


WIDE STILE FLUSH FIN HORIZONTAL SECTION



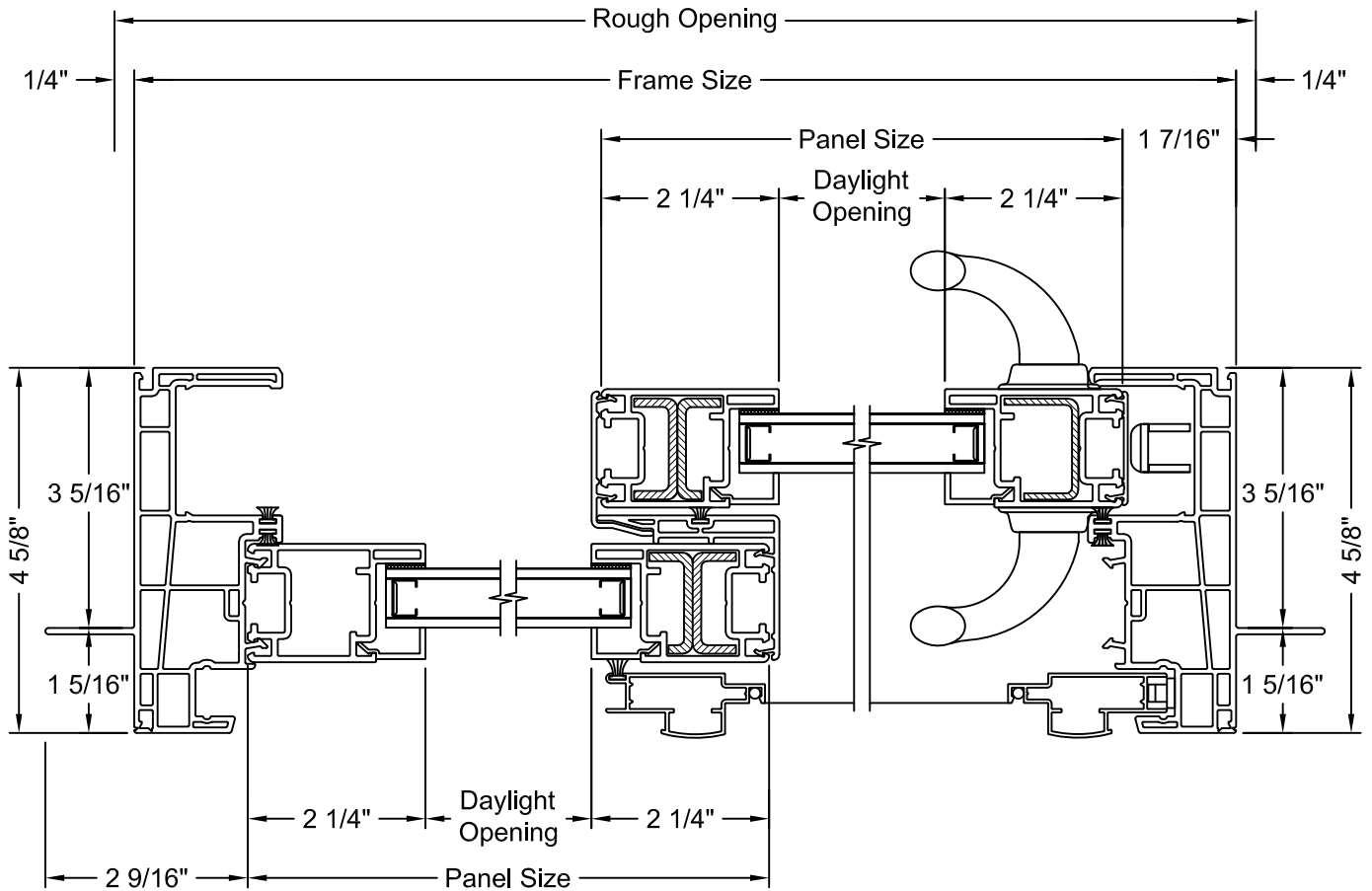


NARROW STILE VERTICAL SECTION



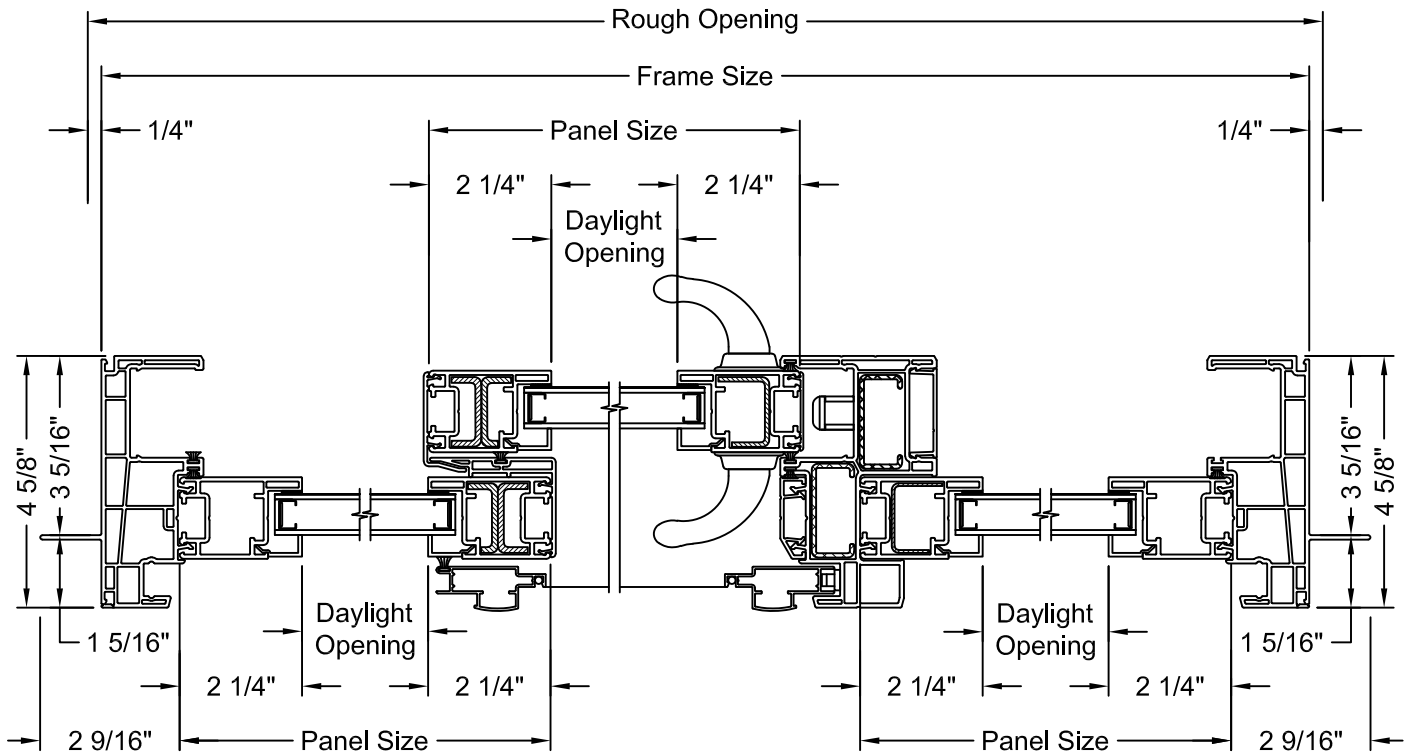


NARROW STILE HORIZONTAL SECTION

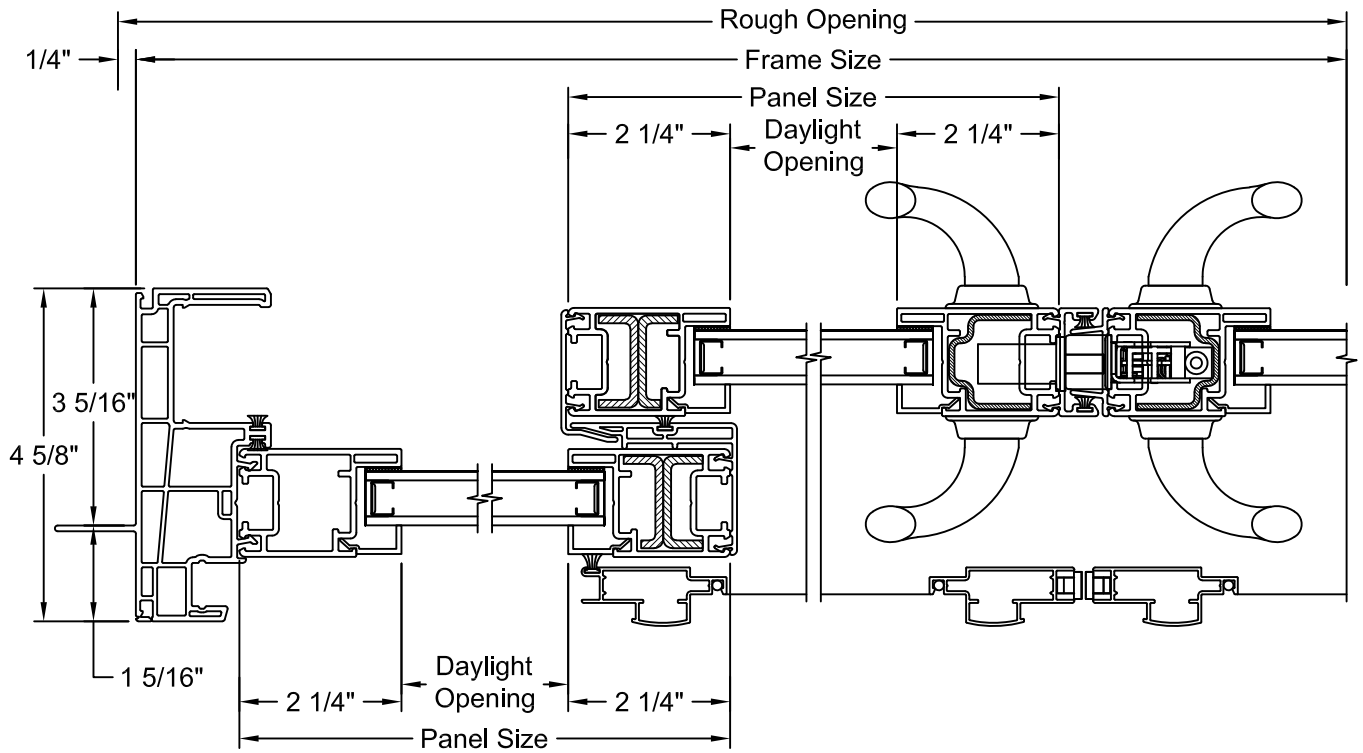
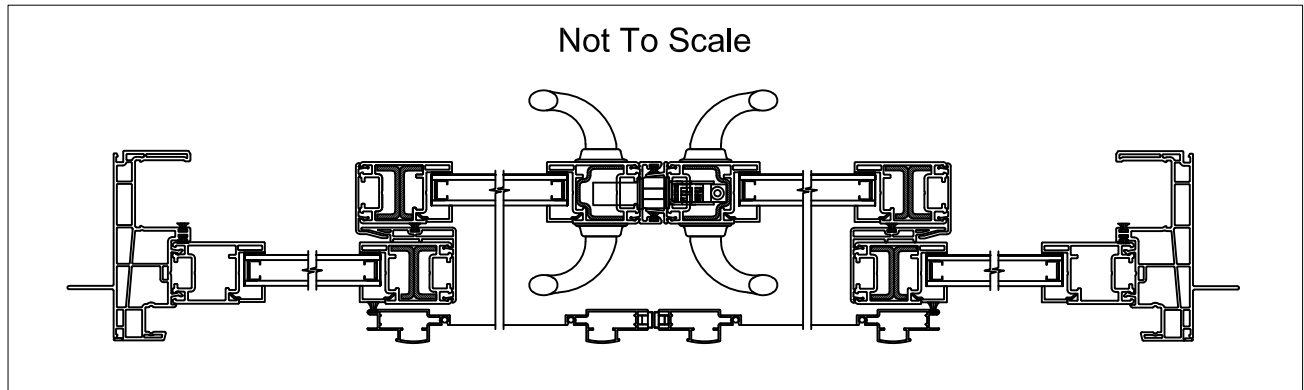




NARROW STILE 3 PANEL HORIZONTAL SECTION

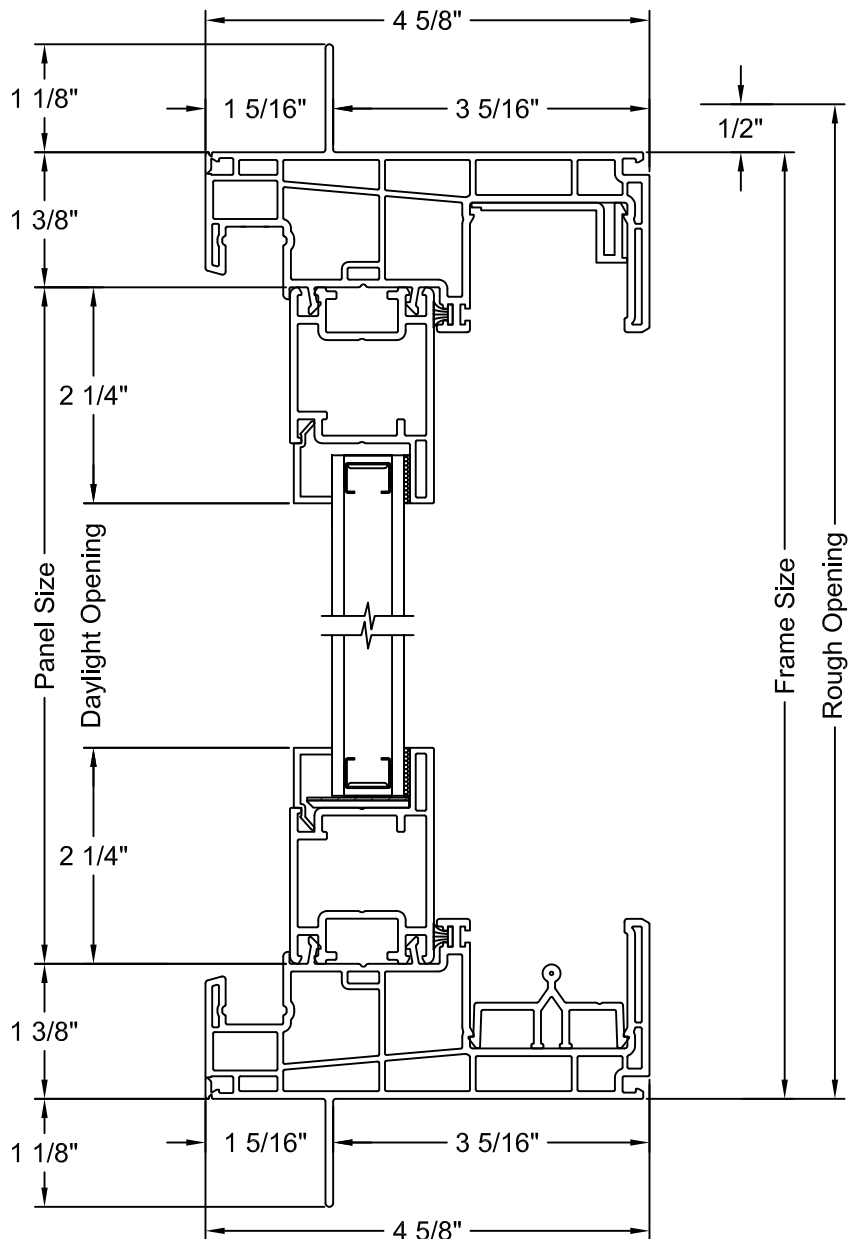


NARROW STILE 4 PANEL HORIZONTAL SECTION



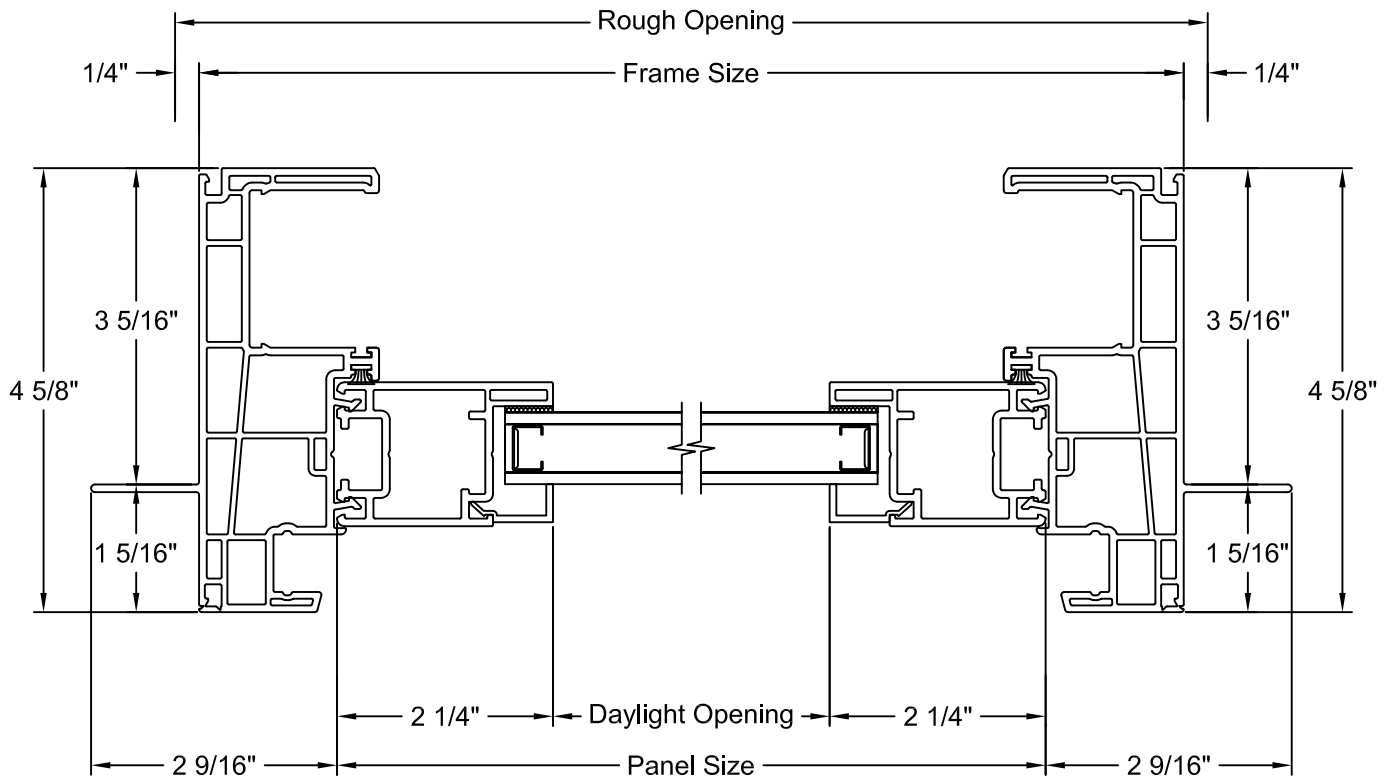


NARROW STILE SIDELITE VERTICAL SECTION



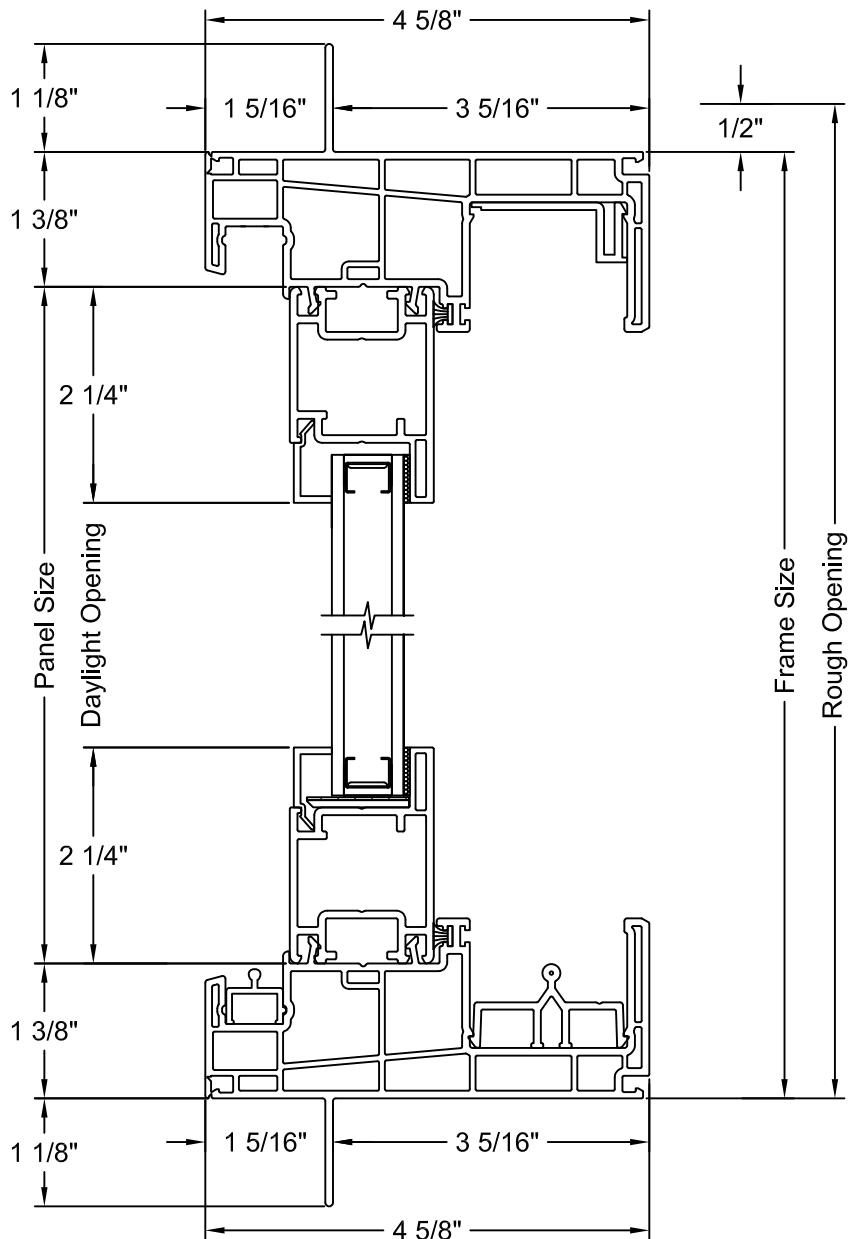


NARROW STILE SIDELITE HORIZONTAL SECTION



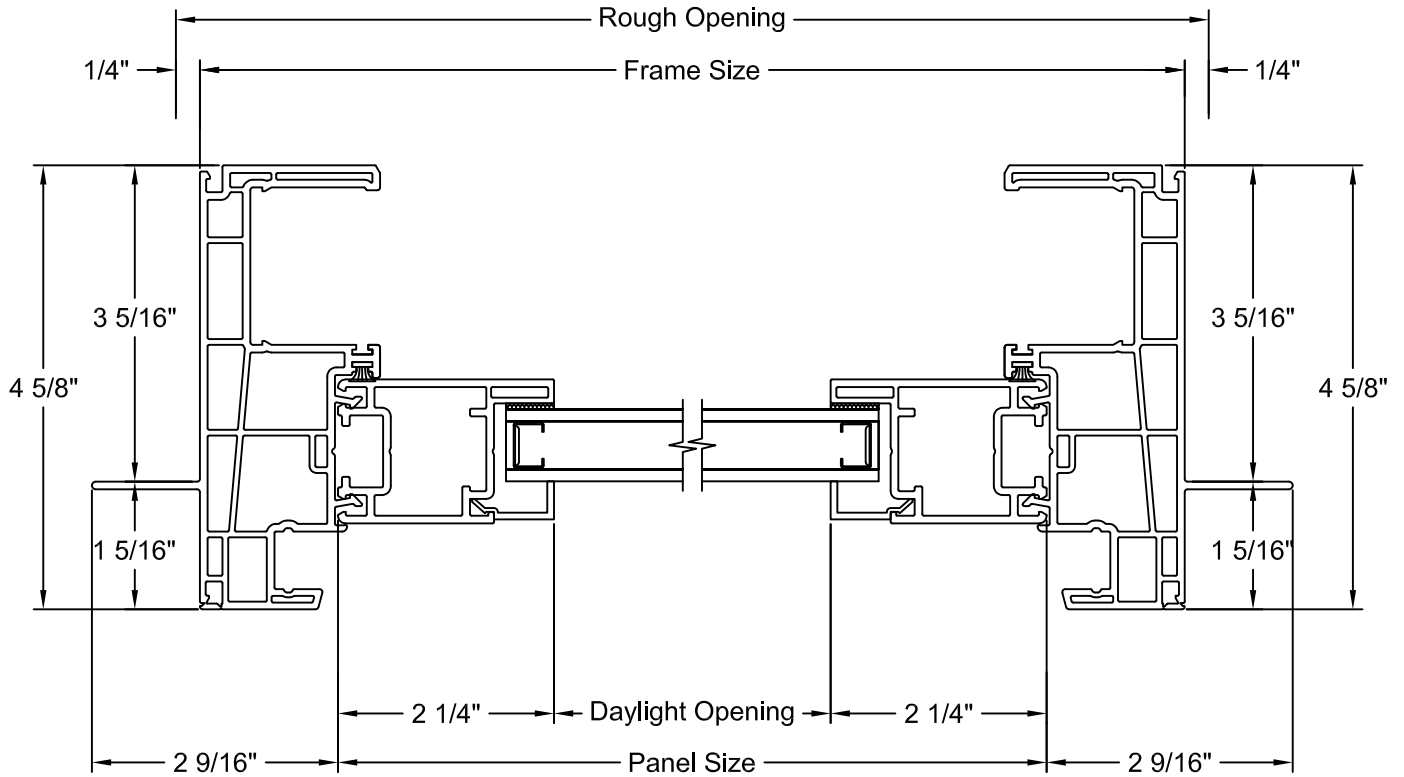


NARROW STILE TRANSOM VERTICAL SECTION



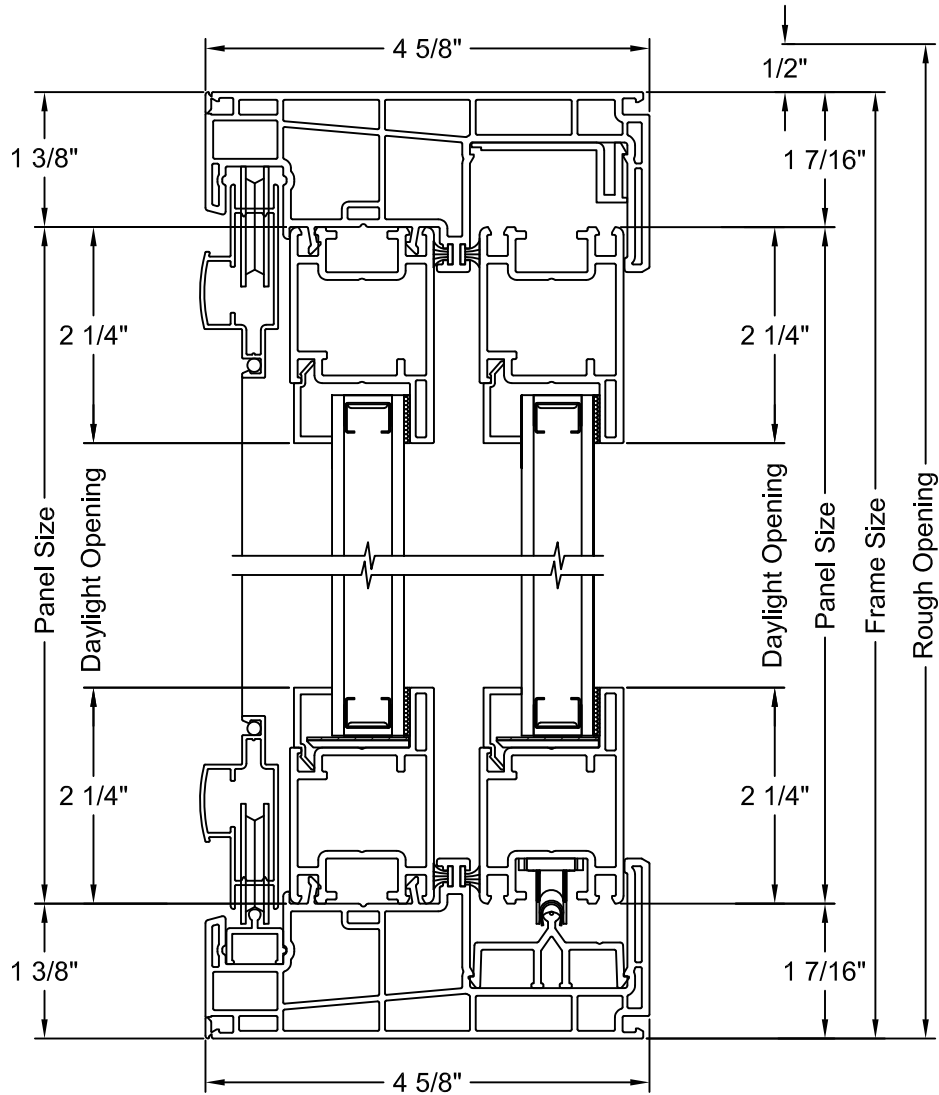


NARROW STILE TRANSOM HORIZONTAL SECTION



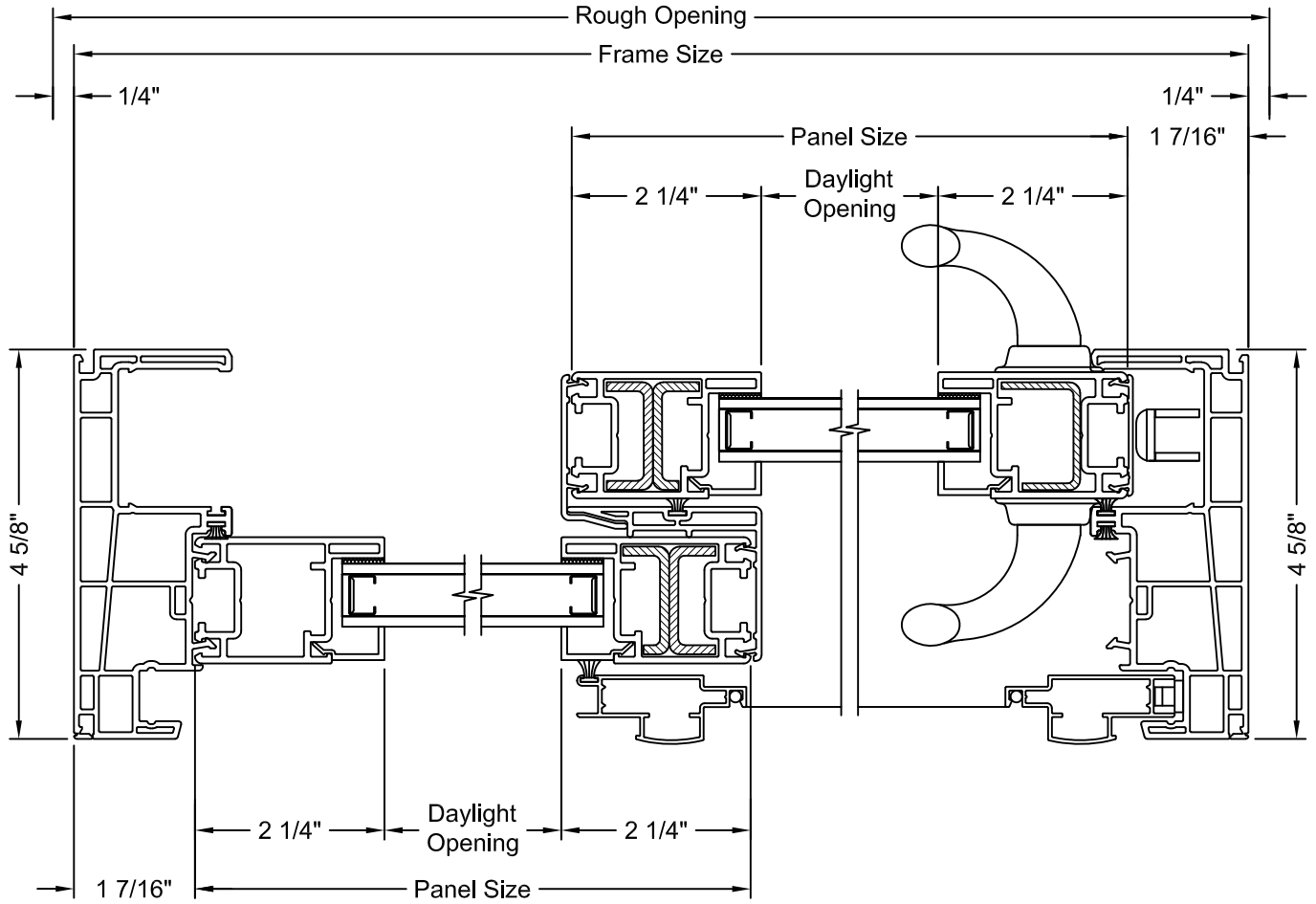


RS DOOR, NARROW STILE VERTICAL SECTION



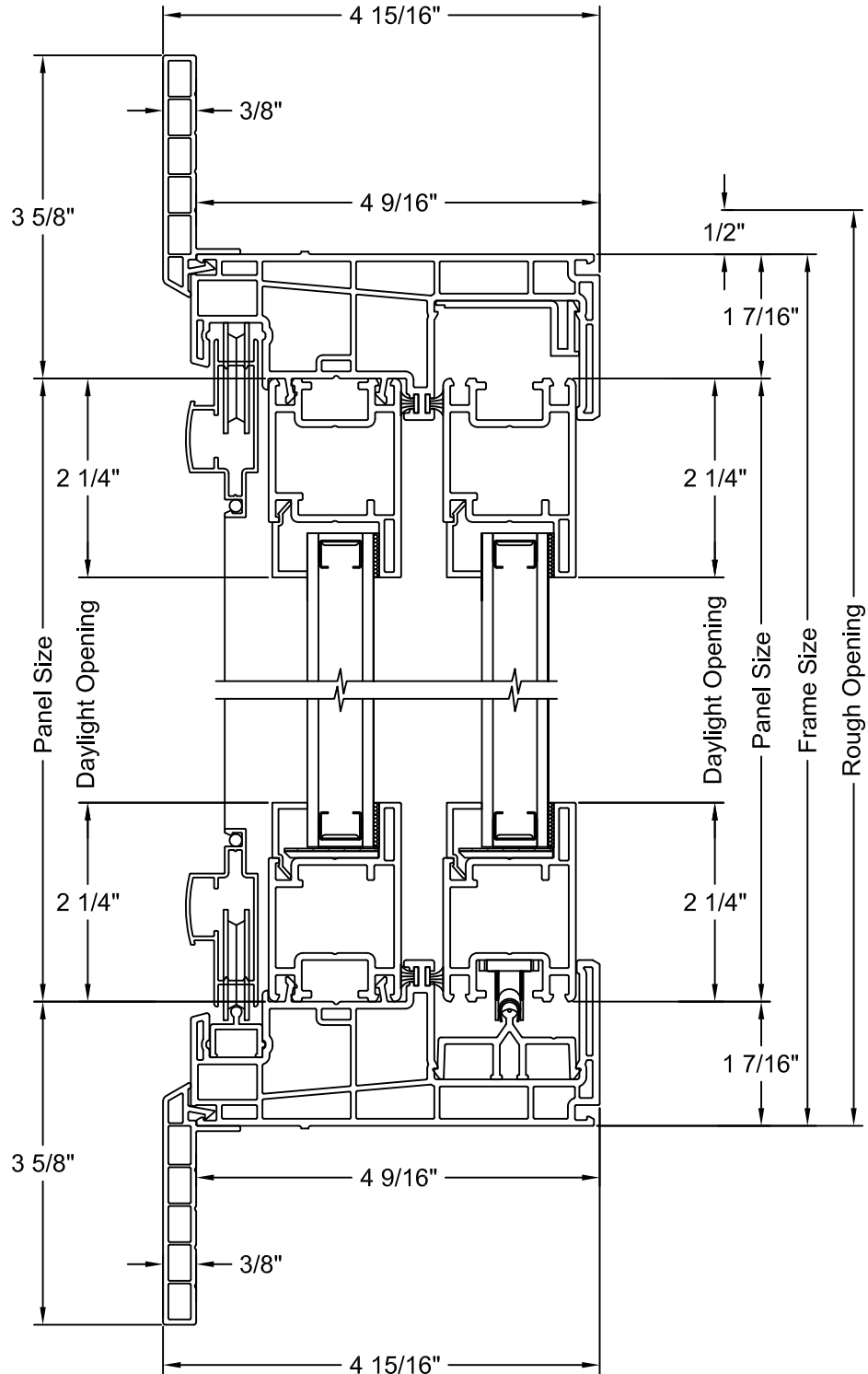


RS DOOR, NARROW STILE HORIZONTAL SECTION





FLUSH FIN NARROW STILE VERTICAL SECTION





FLUSH FIN NARROW STILE HORIZONTAL SECTION

