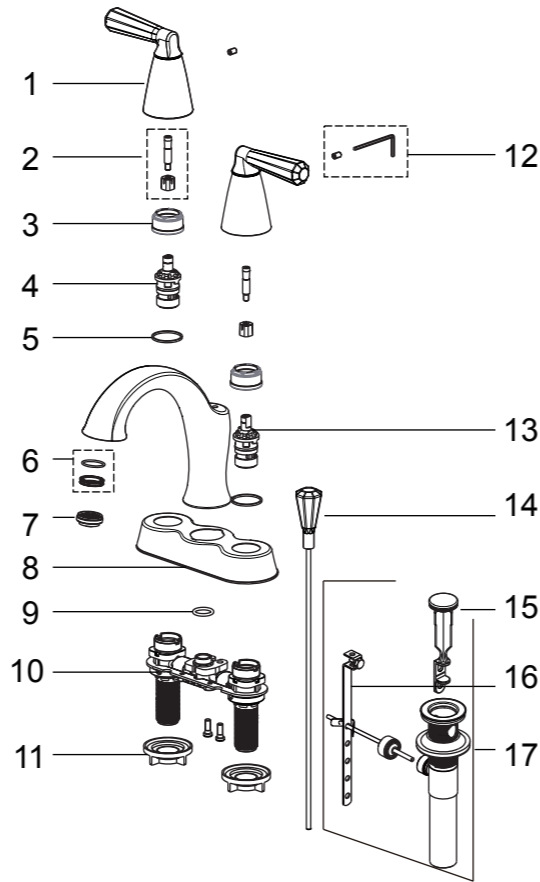


Replacement Parts / Pièces de rechange / Repuestos

UF45910  
UF45913  
UF45915

NO.	Description	Part No.
1	Handle (Hot)	5C0001900CP0
2	Connector Assembly	9Q225100CP/AP/HA
3	Nut	5T1003800CC0
4	Cartridge (Hot)	51012113NT
5	Washer	5R4003100PL0
6	Aerator Housing Assembly	9Q229800NT
7	Aerator	5E0M0114PL
8	Base Assembly	9Q230100CP/AP/HA
9	O-Ring	5R0R0027PL
10	Body	5A0002700PL0
11	Nut	52006918PL
12	Screw & Allen Key	9Q229600NT
13	Cartridge (Cold)	51012114NT
14	Lift Rod	9Q224300CP/AP/HA
15	Drain Plug Assembly	622012052
16	Leverage Assembly	9Q230000NT
17	Pop-Up Assembly	5Y0M0088CP/AP/HA



**Limited Lifetime Warranty**

Ultra Faucets warrants to the original purchaser that its products will be free from defects in workmanship and materials. All Ultra Faucets are provided with a life time limited warranty. This warranty does not cover any other labor or service charges associated with the removal, repair, or reinstallation of Ultra Faucets products. This express warranty does not apply to products that have been damaged as a result of misuse, abuse, negligence, accident, faulty installation or maintenance practices and/or used in any manner contrary to those recommended by the manufacturer.

**Need help?** Please call our toll-free customer service line at 1-888-658-5872 for additional assistance or service.  
**Besoin d'aide?** Veuillez communiquer avec notre service à la clientèle au numéro gratuit 1-888-658-5872 pour tous renseignements ou services complémentaires.  
**¿Requiere asistencia?** Llame a nuestro Servicio al Cliente, sin costo, al 1-888-658-5872 para asistencia adicional o servicio.

**Traditional II**

Two Handle Lavatory Faucet

UF45910  
UF45913  
UF45915

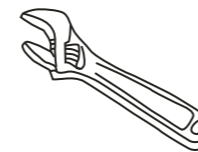


**Installation/Installation/Instalación**

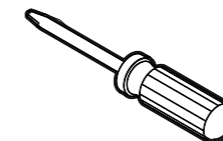
**CUSTOMER SERVICE**  
**TOLL-FREE 1-888-OK-ULTRA (658-5872)**



**Tools You Will Need / Outils dont vous aurez besoin / Herramientas necesarias**



Adjustable Wrench  
Clé à molette  
Llave ajustable



Phillips Screwdriver  
Tournevis Phillips  
Destornillador cruciforme



Pipe Tape  
Ruban pour tuyau  
Cinta selladora para rosca



Groove join pliers  
Pince multiprise  
Pinzas ajustables

**SAFETY TIPS**

- If you use soldering for the installation of the faucet, the seats, cartridges and washers will have to be removed before using flame. Otherwise, warranty will be void on those parts.
- Cover your drain to avoid losing parts.
- 0°C~55°C.

**CONSIGNES DE SÉCURITÉ**

- Si vous posez le robinet par brasage, il est essentiel de retirer les sièges, les cartouches et les rondelles avant d'appliquer la flamme, faute de quoi la garantie sur ces pièces sera annulée.
- Couvrez le drain pour ne pas perdre des pièces.
- 0°C~55°C.

**CONSEJOS DE SEGURIDAD**

- En el caso de utilizar soldadura para instalar el grifo, remueva los asientos, cartuchos y arandelas antes de usar la llama. De lo contrario, se anulará la garantía para esos componentes.
- Tape la boca del desagüe para prevenir la pérdida de piezas pequeñas.
- 0°C~55°C.

