



# OPERATOR'S MANUAL

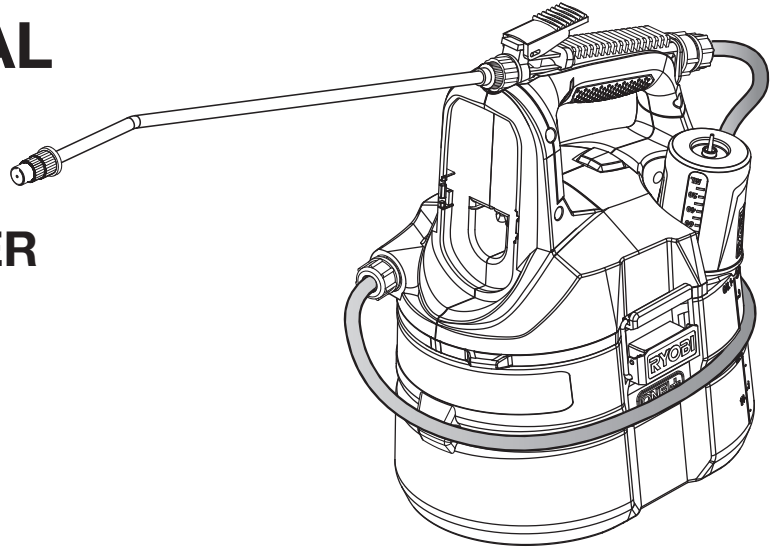
MANUEL D'UTILISATION  
MANUAL DEL OPERADOR

18 VOLT CHEMICAL SPRAYER

PULVERISATEUR DE PRODUITS  
CHIMIQUES DE 18 V

ROCIADOR DE SUSTANCIAS  
QUÍMICAS DE 18 V

P2800



ACCEPTS ALL ONE+ BATTERY PACKS  
COMPATIBLE AVEC TOUS LE PILES ONE+  
ACEPTA TODOS LOS PAQUETES DE BATERÍAS ONE+

Your chemical sprayer has been engineered and manufactured to our high standard for dependability, ease of operation, and operator safety. When properly cared for, it will give you years of rugged, trouble-free performance.

**! WARNING:** To reduce the risk of injury, the user must read and understand the operator's manual before using this product.

**SAVE THIS MANUAL FOR FUTURE REFERENCE**

Le pulvérisateur de produits chimiques a été conçu et fabriqué conformément à nos strictes normes de fiabilité, simplicité d'emploi et sécurité d'utilisation. Correctement entretenue, elle vous donnera des années de fonctionnement robuste et sans problème.

Su rociador de sustancias químicas ha sido diseñada y fabricada de conformidad con las estrictas normas para brindar fiabilidad, facilidad de uso y seguridad para el operador. Con el debido cuidado, le brindará muchos años de sólido y eficiente funcionamiento.

**! AVERTISSEMENT :**  
Pour réduire les risques de blessures, l'utilisateur doit lire et veiller à bien comprendre le manuel d'utilisation avant d'employer ce produit.

**! ADVERTENCIA:**  
Para reducir el riesgo de lesiones, el usuario debe leer y comprender el manual del operador antes de usar este producto.

**CONSERVER CE MANUEL POUR  
FUTURE RÉFÉRENCE**

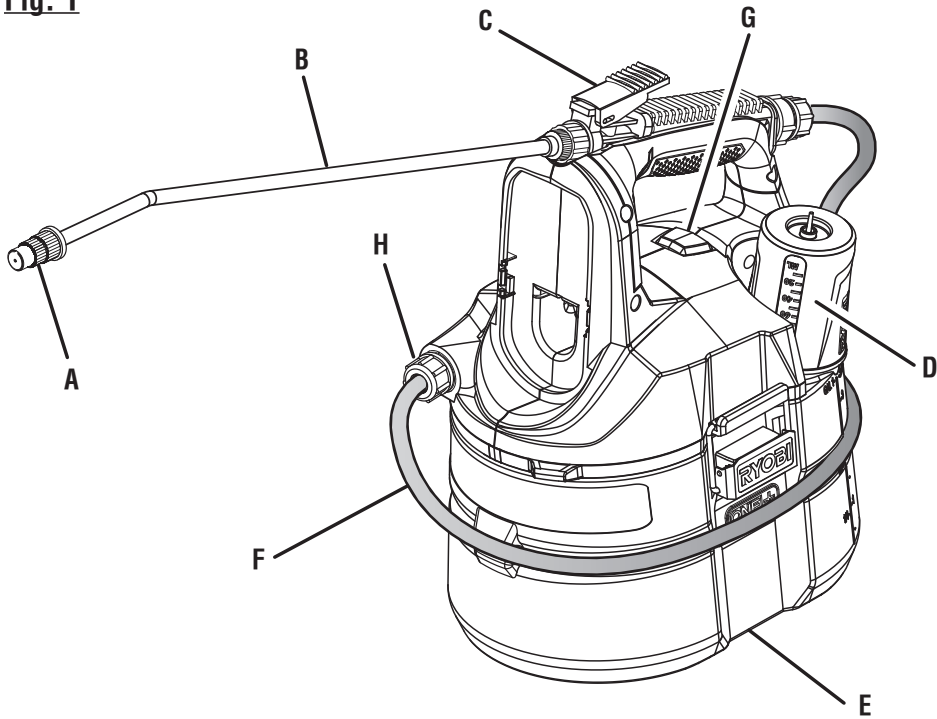
**GUARDE ESTE MANUAL PARA  
FUTURAS CONSULTAS**

**See this fold-out section for all of the figures referenced in the operator's manual.**

**Consulter l'encart à volets afin d'examiner toutes les figures mentionnées dans le manuel d'utilisation.**

**Consulte esta sección desplegable para ver todas las figuras a las que se hace referencia en el manual del operador.**

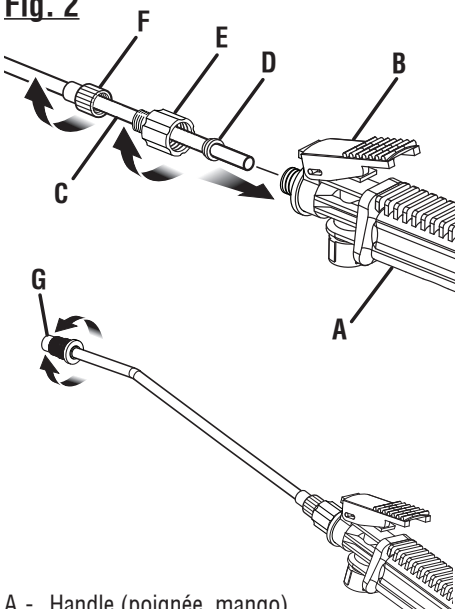
**Fig. 1**



- A - Adjustable nozzle (buse réglable, boquilla ajustable)
- B - Spray wand (lance de pulvérisation, tubo rociador)
- C - Trigger with lock-on (gâchette avec verrouillage, gatillo con seguro)

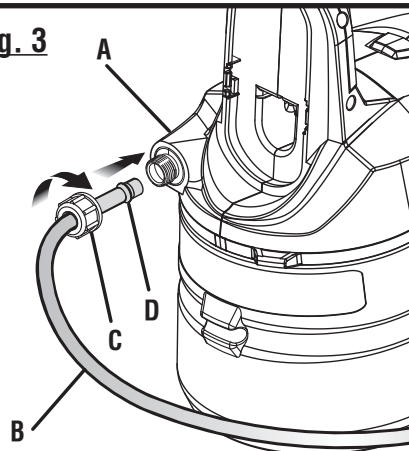
- D - Measuring cap (bouchon mesureur, medidora tapa)
- E - Tank (réservoir, tanque)
- F - Hose (tuyaux, manguera)
- G - On/off button (bouton marche/arrêt, botón de encendido/apagado)
- H - Cap (bouchon, tapa)

**Fig. 2**



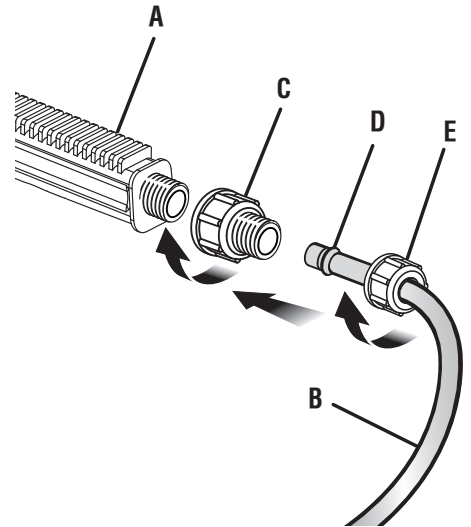
- A - Handle (poignée, mango)
- B - Trigger with lock-on (gâchette avec verrouillage, gatillo con seguro)
- C - Spray wand (lance de pulvérisation, tubo rociador)
- D - O-Ring (joint torique en O, anillo en "O")
- E - Cap (bouchon, tapa)
- F - Nut (écrou, tuerca)
- G - Adjustable nozzle (buse réglable, boquilla ajustable)

**Fig. 3**



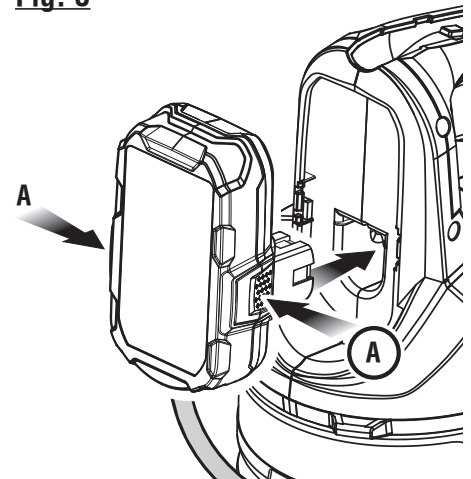
- A - Tank (réservoir, tanque)
- B - Hose (tuyaux, manguera)
- C - Nut (écrou, tuerca)
- D - Hose end (bout du tuyau, extremo de la manguera)

**Fig. 4**



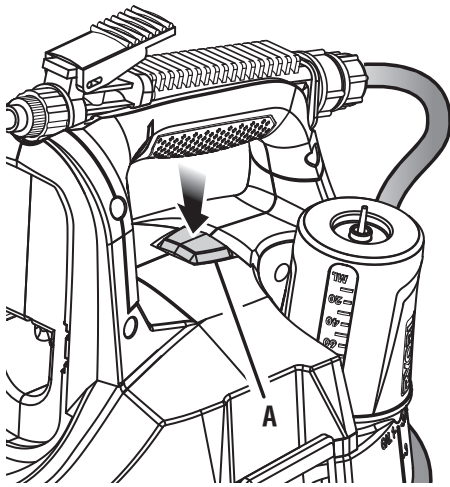
- A - Handle (poignée, mango)
- B - Hose (tuyaux, manguera)
- C - Cap (capuchon, tapa)
- D - Hose end (bout du tuyau, extremo de la manguera)
- E - Nut (écrou, tuerca)

**Fig. 5**



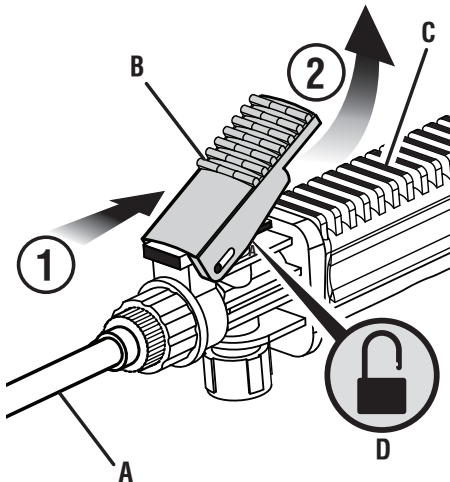
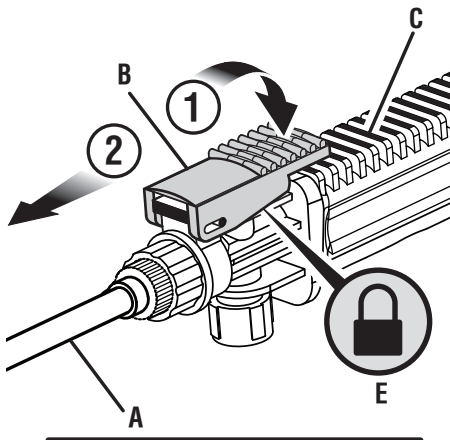
- A - Depress latches to release battery pack (appuyer sur les loquets pour libérer le blocs-pile, para soltar, el paquete de batería oprima los pestillos)

**Fig. 6**



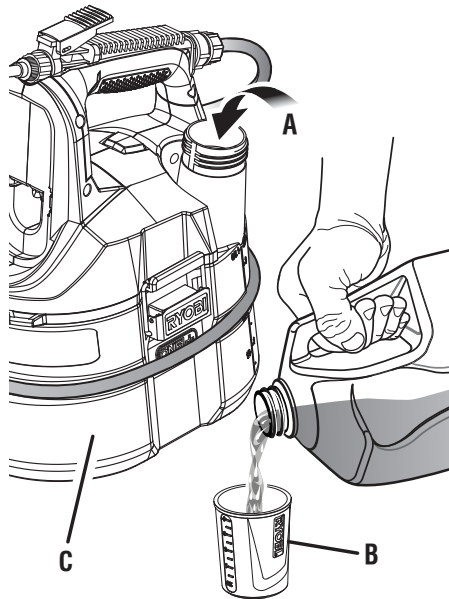
A - On/off button (bouton marche/arrêt, botón de encendido/apagado)

**Fig. 7**



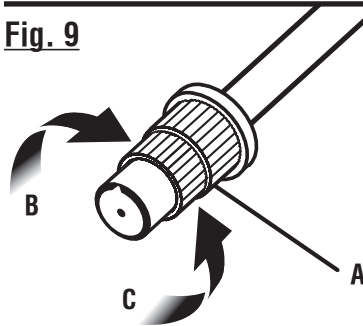
A - Spray wand (lance de pulvérisation, tubo rociador)  
 B - Trigger with lock-on (gâchette avec verrouillage, gatillo con seguro)  
 C - Handle (poignée, mango)  
 D - To release (pour relâcher, para soltar)  
 E - To lock (pour verrouiller, para asegurar)

**Fig. 8**



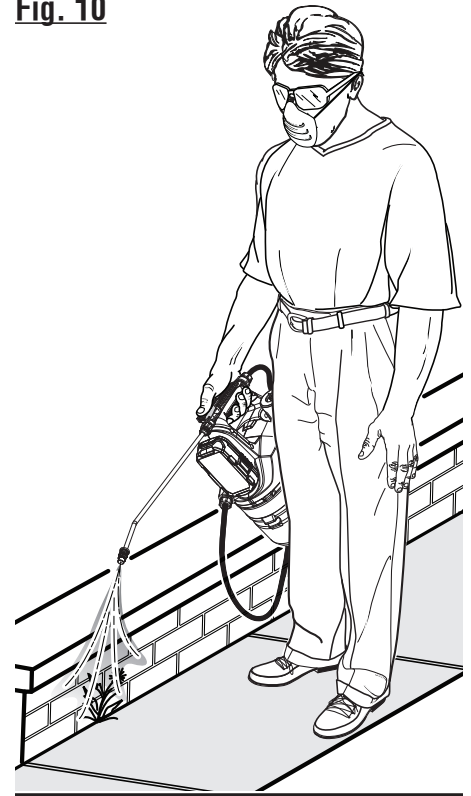
A - Fill area (zone de remplissage, área de llenado)  
 B - Measuring Cap (bouchon mesureur, medidora tapa)  
 C - Tank (réservoir, tanque)

**Fig. 9**

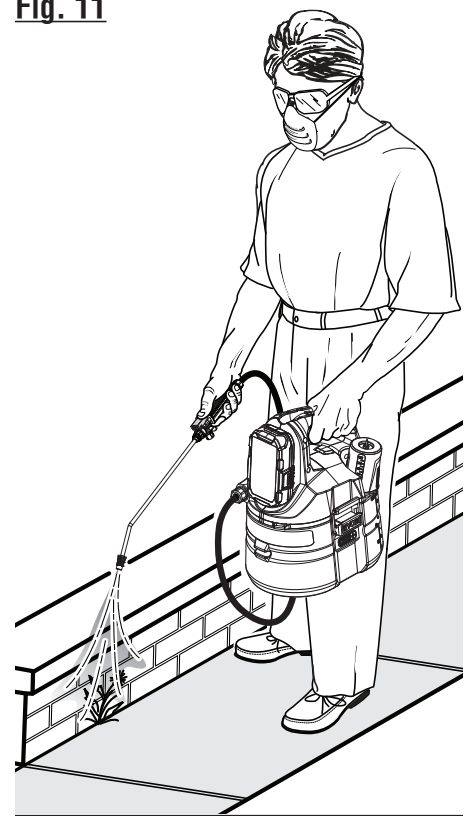


A - Adjustable nozzle (buse réglable, boquilla ajustable)  
 B - Tighten for fan spray (serrer pour jet en éventail, apriete para rociar en abanico)  
 C - Loosen for stream (dévisser pour jet, afloje para formar un chorro)

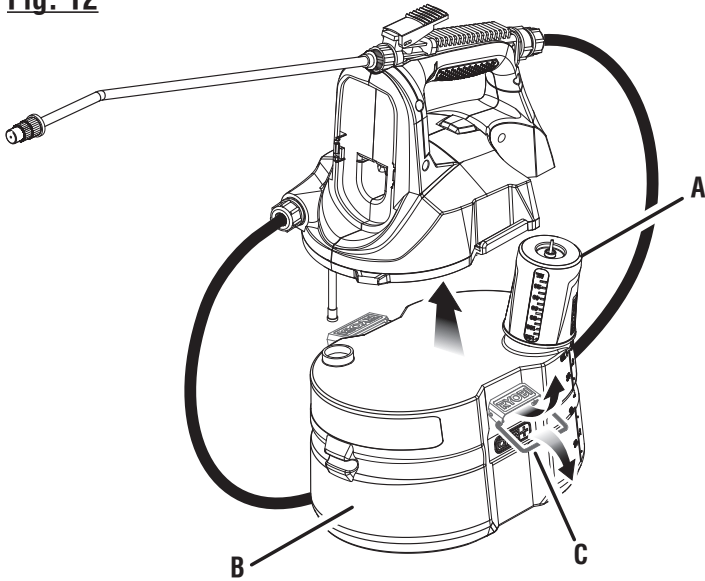
**Fig. 10**



**Fig. 11**

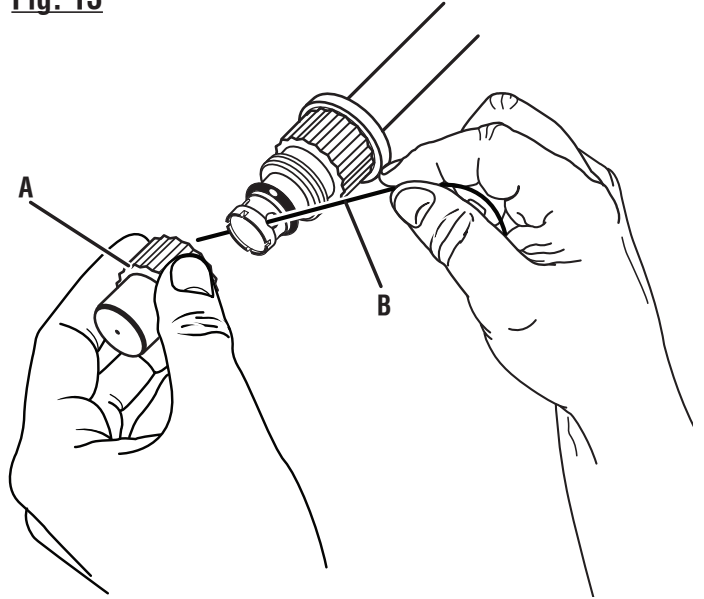


**Fig. 12**



- A - Measuring cap (bouchon mesureur, medidora tapa)  
B - Tank (réservoir, tanque)  
C - Latches (loquets, pestillos)

**Fig. 13**



- A - Adjustable nozzle (buse réglable, boquilla ajustable)  
B - Wire (fil, alambre)

# TABLE OF CONTENTS

## TABLE DES MATIÈRES/ÍNDICE DE CONTENIDO

|   |                               |
|---|-------------------------------|
| ■ Introduction .....  | 2                             |
| Introduction / Introducción   |                               |
| ■ Important Safety Instructions .....   | 3                             |
| Instrucciones importantes concernant la sécurité / Instrucciones de seguridad importantes |                               |
| ■ Specific Safety Rules.....  | 4-5                           |
| Règles de sécurité particulières / Reglas de seguridad específicas                        |                               |
| ■ Symbols.....  | 6                             |
| Symboles / Símbolos   |                               |
| ■ Features.....   | 7                             |
| Caractéristiques / Características  |                               |
| ■ Assembly .....  | 7-8                           |
| Assemblage / Armado   |                               |
| ■ Operation.....  | 8-10                          |
| Utilisation / Funcionamiento  |                               |
| ■ Maintenance .....   | 10-11                         |
| Entretien / Mantenimiento   |                               |
| ■ Warranty .....  | 12                            |
| Garantie / Garantía   |                               |
| ■ Parts Ordering and Service .....  | Back Page                     |
| Commande de pièces et réparation / Pedidos de piezas y servicio .....                     | Page arrière / Pág. posterior |

## INTRODUCTION

### INTRODUCCIÓN

This product has many features for making its use more pleasant and enjoyable. Safety, performance, and dependability have been given top priority in the design of this product making it easy to maintain and operate.

\* \* \*

Ce produit offre de nombreuses fonctions destinées à rendre son utilisation plus plaisante et satisfaisante. Lors de la conception de ce produit, l'accent a été mis sur la sécurité, les performances et la fiabilité, afin d'en faire un outil facile à utiliser et à entretenir.

\* \* \*

Este producto ofrece numerosas características para hacer más agradable y placentero su uso. En el diseño de este producto se ha conferido prioridad a la seguridad, el desempeño y la fiabilidad, por lo cual se facilita su manejo y mantenimiento.

# IMPORTANT SAFETY INSTRUCTIONS



## WARNING:

**READ THESE INSTRUCTIONS.** Failure to follow all instructions listed below, may result in electric shock, fire and/or serious personal injury.

### READ ALL INSTRUCTIONS BEFORE USING APPLIANCE

- **Know your chemical sprayer.** Read and understand the operator's manual and observe the warnings and instruction labels affixed to the tool.
- **Do not operate the product in explosive atmospheres, such as in the presence of flammable liquids, gases or dust.** Power tools create sparks which may ignite the dust or fumes.
- **Do not allow bystanders or children in the area while operating this product.** Exposure to some chemicals can be hazardous.
- **This product is suitable for indoor and outdoor use.**
- **Stay alert, watch what you are doing and use common sense when operating this product. Do not use while you are tired or under the influence of drugs, alcohol or medication.** A moment of inattention while operating this product may result in serious personal injury.
- **Dress properly. Do not wear loose clothing or jewelry. Contain long hair. Keep your hair, clothing, and gloves away from moving parts.** Loose clothes, jewelry, or long hair can be caught in moving parts.
- **Use safety equipment. Always wear eye protection with side shields or goggles and a dust mask.** Protect eyes, skin and lungs against drifting spray and during mixing, filling, and cleaning.
- **Do not overreach. Keep proper footing and balance at all times. Do not use on a ladder or unstable support.** Stable footing on a solid surface enables better control of the product in unexpected situations.
- **Do not use the product if the switch does not turn it on and off.** Any product that cannot be controlled with the switch is dangerous and must be repaired.
- **Store the product out of the reach of children and do not allow persons unfamiliar with the product or these instructions to operate the product.**
- **Keep the sprayer and its handle dry, clean and free from oil and grease.** Always use a clean cloth when cleaning. Never use brake fluids, gasoline, petroleum-based products, or any strong solvents to clean your tool. Following this rule will reduce the risk of loss of control and deterioration of the enclosure plastic.
- **Use this product in accordance with these instructions and in the manner intended, taking into account the working conditions and the work to be performed.** Use of the product for operations different from those intended could result in a hazardous situation.
- **Avoid accidental starting. Ensure the switch is in the off position before inserting battery pack.** Inserting the battery pack into products that have the switch on invites accidents.
- **Use the product only with specifically designated battery packs.** Use of any other battery packs may create a risk of injury and fire.
- **Use battery only with charger listed.** For use with 18V nickel-cadmium and 18V lithium-ion battery packs, see tool/appliance/battery pack/charger correlation supplement 987000-432.
- **When battery pack is not in use, keep it away from other metal objects like paper clips, coins, keys, nails, screws, or other small metal objects that can make a connection from one terminal to another.** Shorting the battery terminals together may cause burns or a fire.
- **Under abusive conditions, liquid may be ejected from the battery, avoid contact. If contact accidentally occurs, flush with water. If liquid contacts eyes, additionally seek medical help.** Liquid ejected from the battery may cause irritation or burns.
- **Have this product serviced by a qualified repair person using only identical replacement parts.** This will ensure that the safety of the power tool is maintained.
- **When servicing the product, use only identical replacement parts. Follow instructions in the *Maintenance* section of this manual.** Use of unauthorized parts or failure to follow Maintenance instructions may create a risk of shock or injury.

# SPECIFIC SAFETY RULES

## IMPORTANT SAFETY INSTRUCTIONS



### DANGER:

**Risk of fire or explosion.** Do not spray flammable liquids such as gasoline. Look for this symbol reference on the container.



### WARNING:

Some spray created from products used with the sprayer contains chemicals known to the State of California to cause cancer, birth defect of other reproductive harm. Some examples of these chemicals are:

- compounds in fertilizers;
- compounds in insecticides, herbicides, and pesticides;
- arsenic and chromium from chemically treated lumber.

Follow directions on containers of all such products. To reduce your exposure to these chemicals, wear approved safety equipment such as face masks that are specially designed to filter out sprays, gloves, and other appropriate protective equipment.

- **Before using any pesticide or other spray materials in this sprayer, read the label on its original container thoroughly and follow its directions.** Some spray materials are dangerous and should not be used in this sprayer, as they can damage the sprayer and cause serious bodily injury or property damage.
- **Electric shock hazard.** Never spray toward electrical outlets.
- **Do not use commercial grade chemicals or chemicals for commercial or industrial purposes.** Use only consumer grade water-based lawn and garden chemicals.
- **Do not pour hot or boiling liquids into the tank.** These can weaken or damage the hose or tank.
- **Spray area must be well ventilated.**
- **Avoid spraying on windy days.** Spray can be accidentally blown onto plants or objects that should not be sprayed.
- **Store the sprayer in a secure, well-ventilated indoor space with the fluid tank empty.**
- **Do not use caustic (alkali) self-heating or corrosive (acid) liquids in this sprayer.** These can corrode metal parts or weaken the tank and hose.
- **Know the contents of the chemical being sprayed. Read all Material Safety Data Sheets (MSDS) and container labels provided with the chemical.** Follow the chemical manufacturer's safety instructions.
- **Do not leave residue or spray material in the tank after using the sprayer.** Clean after each use.
- **Do not smoke while using the sprayer,** or spray where spark or flame is present.
- **Risk of injection.** Do not discharge directly against skin.
- **To reduce the risk of electric shock, do not put the sprayer into water or other liquid.** Do not place or store the sprayer where it can fall or be pulled into a tub or sink.
- **Maintain this product. Thoroughly inspect both the inside and outside of the sprayer and examine the components before each use. Check for cracked and deteriorated hoses, leaks, clogged nozzles, and missing or damaged parts. If damaged, have the product repaired before use.** Many accidents are caused by poorly maintained products.
- **Disconnect the battery from the unit before draining, cleaning, or storing the sprayer.** Such preventive safety measures reduce the risk of accidental starting.
- **Always wear eye protection with side shields or goggles marked to comply with ANSI Z87.1.** Failure to do so could result in fluids entering your eyes resulting in possible serious injury.
- **Protect your lungs. Wear a face or dust mask when using the sprayer.** Following this rule will reduce the risk of serious personal injury.
- **Battery tools do not have to be plugged into an electrical outlet; therefore, they are always in operating condition. Be aware of possible hazards when not using your battery tool or when changing accessories. Remove battery pack when tool is not in use.** Following this rule will reduce the risk of electric shock, fire, or serious personal injury.
- **Do not place battery tools or their batteries near fire or heat.** This will reduce the risk of explosion and possibly injury.
- **Do not crush, drop or damage battery pack. Do not use a battery pack or charger that has been dropped or received a sharp blow.** A damaged battery is subject to explosion. Properly dispose of a dropped or damaged battery immediately.
- **Batteries can explode in the presence of a source of ignition, such as a pilot light.** To reduce the risk of serious personal injury, never use any cordless product in the presence of open flame. An exploded battery can propel debris and chemicals. If exposed, flush with water immediately.
- **Do not charge battery tool in a damp or wet location.** Following this rule will reduce the risk of electric shock.
- **For best results, your battery tool should be charged in a location where the temperature is more than 50°F but less than 100°F.** To reduce the risk of serious personal injury, do not store outside or in vehicles.






# SPECIFIC SAFETY RULES

- **Under extreme usage or temperature conditions, battery leakage may occur. If liquid comes in contact with your skin, wash immediately with soap and water. If liquid gets into your eyes, flush them with clean water for at least 10 minutes, then seek immediate medical attention.** Following this rule will reduce the risk of serious personal injury.
- **Do not use battery-operated appliance in rain.**
- **Exercise care in handling batteries in order not to short the battery with conducting materials such as rings, bracelets, and keys.** The battery or conductor may overheat and cause burns
- **Do not dispose of the battery(ies) in a fire.** The cell may explode. Check with local codes for possible special disposal instructions.
- **Do not open or mutilate the battery(ies).** Released electrolyte is corrosive and may cause damage to the eyes or skin. It may be toxic if swallowed.
- **Avoid Dangerous Environment** - Don't use appliances in damp or wet locations.
- **Use Right Appliance** - Do not use appliance for any job except that for which it is intended.
- **Don't Force Appliance** - It will do the job better and with less likelihood of a risk of injury at the rate for which it was designed.
- **Store Idle Appliances Indoors** - When not in use, appliances should be stored indoors in dry, and high or locked-up place - out of reach of children.
- **Maintain Appliance With Care** - Keep clean for best performance and to reduce the risk of injury. Follow instructions for changing accessories. Inspect appliance cord, and if damaged, have it repaired by an authorized service facility. Keep handles dry, clean, and free from oil and grease.
- **Check Damaged Parts** - Before further use of the appliance, a guard or other part that is damaged should be carefully checked to determine that it will operate properly and perform its intended function. Check for alignment of moving parts, binding of moving parts, breakage of parts, mounting, and any other condition that may affect its operation. A guard or other part that is damaged should be properly repaired or replaced by an authorized service center unless indicated elsewhere in this manual.







## SAVE THESE INSTRUCTIONS

# SYMBOLS

The following signal words and meanings are intended to explain the levels of risk associated with this product.

| SYMBOL  | SIGNAL          | MEANING  |
|---|-----------------|--|
|  | <b>DANGER:</b>  | Indicates a hazardous situation, which, if not avoided, will result in death or serious injury.  |
|  | <b>WARNING:</b> | Indicates a hazardous situation, which, if not avoided, could result in death or serious injury.   |
|  | <b>CAUTION:</b> | Indicates a hazardous situation, that, if not avoided, may result in minor or moderate injury.   |
|   | <b>NOTICE:</b>  | (Without Safety Alert Symbol) Indicates information considered important, but not related to a potential injury (e.g. messages relating to property damage). |

Some of the following symbols may be used on this product. Please study them and learn their meaning. Proper interpretation of these symbols will allow you to operate the product better and safer.

| SYMBOL  | NAME                   | DESIGNATION/EXPLANATION   |
|---|------------------------|---|
|    | Safety Alert           | Indicates a potential personal injury hazard.   |
|   | Read Operator's Manual | To reduce the risk of injury, user must read and understand operator's manual before using this product.  |
|  | Eye Protection         | Always use eye protection with side shields or goggles marked to comply with ANSI Z87.1.  |
|  | Wet Conditions Alert   | Do not expose to rain or use in damp locations.   |
|  | Hot Surface            | To reduce the risk of injury or damage, avoid contact with any hot surface.   |
|  | Recycle Symbols        | This product uses nickel-cadmium (Ni-Cd) and lithium-ion (Li-ion) batteries. Local, state or federal laws may prohibit disposal of batteries in ordinary trash. Consult your local waste authority for information regarding available recycling and/or disposal options. |
| V   | Volts                  | Voltage   |
| — — —   | Direct Current         | Type or a characteristic of current   |
| PSI   | Pressure               | Pressure is measured in pounds per square inch  |

# FEATURES

## PRODUCT SPECIFICATIONS

Tank Capacity ..... 1 gal.  
Motor ..... 18 Volt DC

Spray Pressure ..... 45 psi

## KNOW YOUR CHEMICAL SPRAYER

See Figure 1.

The safe use of this product requires an understanding of the information on the product and in this operator's manual as well as a knowledge of the project you are attempting. Before use of this product, familiarize yourself with all operating features and safety rules.

## ADJUSTABLE SPRAY NOZZLE

The nozzle adjusts the flow of liquid from a stream to a fan spray.

## MEASURING CAP

The measuring cap can be used to measure up to 4 oz. of liquid.

## PUMP-FREE SPRAYING

The battery-powered sprayer keeps fluid continuously cycling through the tank to allow pump-free spraying.

## TANK

The tank is marked for measuring up to one gallon of liquid. There is room for adding an additional 4 oz. that may be measured and poured from the cap.

## TRIGGER WITH LOCK-ON

The trigger can be locked-on for continuous spraying.

# ASSEMBLY

## UNPACKING

This product requires assembly.

- Carefully remove the product and any accessories from the box. Make sure that all items listed in the packing list are included.

### **WARNING:**

Do not use this product if any parts on the Packing List are already assembled to your product when you unpack it. Parts on this list are not assembled to the product by the manufacturer and require customer installation. Use of a product that may have been improperly assembled could result in serious personal injury.

- Inspect the product carefully to make sure no breakage or damage occurred during shipping.
- Do not discard the packing material until you have carefully inspected and satisfactorily operated the product.
- If any parts are damaged or missing, please call 1-800-860-4050 for assistance.

## PACKING LIST

Chemical Sprayer  
Hose  
Cap  
Spray Wand Assembly (Incl. o-ring, cap, and nut)  
Handle  
Operator's Manual

### **WARNING:**

If any parts are damaged or missing do not operate this product until the parts are replaced. Use of this product with damaged or missing parts could result in serious personal injury.

### **WARNING:**

Do not attempt to modify this product or create accessories not recommended for use with this product. Any such alteration or modification is misuse and could result in a hazardous condition leading to possible serious personal injury.

# ASSEMBLY

## **WARNING:**

To prevent accidental starting that could cause serious personal injury, always remove the battery pack from the product when assembling parts.

## **CONNECTING THE SPRAY WAND TO THE HANDLE**

See Figure 2.

- Insert the spray wand into the the handle as shown.
- Slide the o-ring down until it touches the handle.
- Thread the cap onto the handle and tighten securely.
- Rotate the nozzle until it is aligned with the handle (pointing down) and ready for use.
- Slide the nut onto the cap and tighten securely.
- Pull on the spray wand to be certain it is properly secured.
- Place the assembled handle into the handle storage area.

## **ATTACHING THE HOSE**

See Figures 3 - 4.

### **To attach the hose to the tank:**

- Slide the nut on the hose away from the hose end.
- Insert the hose end into the opening on the tank as shown. Make sure the connection is secure.
- Slide the nut over the opening and hose end. Hand tighten. Do not overtighten.

### **To attach the hose to the handle:**

The hose comes preassembled to the handle. If it becomes loose, follow the instructions below.

- Thread the cap onto the handle and tighten securely.
- Slide the nut on the hose away from the hose end.
- Insert the hose end into the opening on the cap. Make sure the connection is secure.
- Slide the nut over the hose and cap. Hand tighten. Do not overtighten.

# OPERATION

## **WARNING:**

Do not allow familiarity with the product to make you careless. Remember that a careless fraction of a second is sufficient to inflict serious injury.

## **WARNING:**

Always wear eye protection with side shields or goggles marked to comply with ANSI Z87.1. Failure to do so could result in fluids entering your eyes resulting in possible serious injury.

## **WARNING:**

Do not use any attachments or accessories not recommended by the manufacturer of this product. The use of attachments or accessories not recommended can result in serious personal injury.

## **WARNING:**

Use safety equipment. Protect your eyes, skin, and lungs while mixing, filling, spraying, and cleaning. Failure to do so may result in serious personal injury and damage to property.

## **NOTICE:**

Before each use, inspect the entire product for damaged, missing, or loose parts such as screws, nuts, bolts, caps, etc. Tighten securely all fasteners and caps and do not operate this product until all missing or damaged parts are replaced. Please contact customer service or a qualified service center for assistance.

## **APPLICATIONS**

You may use this product for the purpose listed below:

- For use with most consumer grade home and garden chemicals, such as insecticides, fungicides, weed killers, and fertilizers

# OPERATION

## INSTALLING/REMOVING BATTERY PACK

See Figure 5.

### **WARNING:**

Always remove battery pack from your tool when you are assembling parts, making adjustments, cleaning, or when not in use. Removing battery pack will prevent accidental starting that could cause serious personal injury.

#### To install:

- Align the raised rib on the battery pack with groove in the battery port and place the battery pack in the tool.
- Make sure the latches on each side of the battery pack snap in place and that the battery pack is secured in the tool before beginning operation.

#### To remove:

- Depress the latches on both sides of the battery pack to release the battery pack and remove it from the tool.

### **WARNING:**

Risk of fire or explosion. Spray area must be well-ventilated and away from sparks or flames.

## TURNING THE SPRAYER ON/OFF

See Figures 6 - 7.

- To turn the sprayer **ON**, depress the ON/OFF button.
- To start the flow of liquid at the spray wand, depress the trigger.
- To stop the flow of liquid at the spray wand, release the trigger.
- To turn the sprayer **OFF**, depress the ON/OFF button again.

## LOCK-ON

See Figure 7.

The lock-on feature is convenient when spraying for an extended period of time or when covering a large area.

- To lock-on, depress the trigger and slide it forward.
- To release the lock-on, depress the trigger and slide it backward.

**NOTE:** Make sure the trigger is not locked on before inserting the battery pack into the sprayer.

## FILLING THE TANK

See Figure 8.

### **WARNING:**

Always follow the chemical manufacturer's instructions printed on their product labeling for use, cleaning, and storage. Clean thoroughly after each use, following the instructions in the *Maintenance* section of this manual. Chemicals should be stored out of the reach of children. Failure to do so may result in serious personal injury.

Liquids to be sprayed must be as thin as water. Thicker liquids will not spray properly.

Do not overfill the tank.

- Remove the battery pack.
- Unscrew the measuring cap and remove it from the tank.
- Fill the tank with the desired amount of water (up to 1 gallon).
- Measure the recommended amount of liquid. The cap may be used for measuring up to 4 oz.
- Carefully pour the liquid into the tank.
- Rinse the measuring cap with clean water.
- Screw the cap back onto the sprayer, making sure it is tightened securely.
- Reinstall the battery pack.

Spray solutions may be premixed and poured into the sprayer, using a funnel if needed.

**NOTE:** If using a measuring container other than the cap, or if using a funnel to fill the tank, be sure to thoroughly clean and rinse these items after use. If premixing the spray solution, rinse the container used for mixing.

### **NOTICE:**

It is important to thoroughly clean the unit after each use. Allowing liquid to remain in an idle tool for an extended period may cause its moving pieces and connectors to seize up.

## ADJUSTING THE SPRAY NOZZLE

See Figure 9.

The spray nozzle can be adjusted from a stream to a fan spray.

- Remove the battery pack from the tool.
- Loosen the nozzle for a stream.
- Tighten the nozzle for a fan spray.

# OPERATION

## SPRAYING HOME-AND-GARDEN CHEMICALS

See Figures 10 - 11.

- Install the battery pack into the tool.
- Depress the ON/OFF button to start the motor.
- The sprayer may be operated with the handle resting in the handle storage area as shown in figure 10, or you may remove and hold the handle as shown in figure 11.
- Aim the sprayer nozzle directly at the plants or objects you wish to spray.

**NOTE:** Make sure to stand far enough from the object being sprayed to prevent the spray from splashing back onto you.

- Depress the trigger to start the spray.
- Release the trigger to stop the spray.
- Always empty, clean, and drain the tank after every use as directed in the *Maintenance* section.

- Thoroughly clean the chemical sprayer before storing or before switching to a different chemical. See **Cleaning the Unit** later in this manual.
- When you are finished with the sprayer, thoroughly wash your hands and any area where skin has been exposed to the spray.

## OPERATING TIPS

- Never point the spray end of the wand at yourself or others.
- Avoid spraying on windy days. Spray can be accidentally blown onto plants or objects that should not be sprayed.
- Never spray in the direction of people or animals; always spray downwind.
- Especially in warmer weather, spray in the early morning or late afternoon. Excessive heat can evaporate the spray before it settles.
- Never smoke, eat, or drink while operating the sprayer.

# MAINTENANCE

## **WARNING:**

To avoid serious personal injury, always remove the battery pack from the tool when cleaning or performing any maintenance.

## **WARNING:**

Always wear eye protection with side shields or goggles marked to comply with ANSI Z87.1. Failure to do so could result in fluids entering your eyes resulting in possible serious injury.

## **WARNING:**

When servicing, use only identical replacement parts. Use of any other parts may create a hazard or cause product damage.

## **NOTICE:**

Periodically inspect the entire product for damaged, missing, or loose parts such as screws, nuts, bolts, caps, etc. Tighten securely all fasteners and caps and do not operate this product until all missing or damaged parts are replaced. Please contact customer service or a qualified service center for assistance.

## GENERAL MAINTENANCE

Avoid using solvents when cleaning plastic parts. Most plastics are susceptible to damage from various types of commercial solvents and may be damaged by their use. Use clean cloths to remove dirt, dust, oil, grease, etc.

## **WARNING:**

Do not at any time let brake fluids, gasoline, penetrating oils, etc., come in contact with plastic parts. Chemicals can damage, weaken, or destroy plastic which may result in serious personal injury.

# MAINTENANCE

## CLEANING THE UNIT

See Figure 12.

### **WARNING:**

Always store and dispose of chemicals properly. Disposal of contaminated rinse water should be performed according to local ordinances and bylaws.

## DRAINING THE TANK

If there is any liquid left in the tank after spraying, the tank should be drained before cleaning.

- Remove the battery pack.
- Remove the motor housing from the tank by lifting up and releasing the latches on each end of the unit.
- Drain the contents through the fill area.

**NOTE:** Drain the contents back into the original container. Do not store chemicals in the tank.

## CLEANING THE TANK

- Fill the tank about one-third full with clean water. A small amount of mild household detergent may be added.

**NOTE:** Never use flammable chemicals or abrasive cleaning agents to clean the tank.

- Wipe the outside of the tank with a clean, dry cloth.
- Reattach the motor housing to the tank. Make sure the latches are closed.
- Reinstall the battery pack. Spray until the tank has been emptied. Make sure to direct the spray toward an area that will not be damaged by the spray solution.
- Refill and repeat the procedure with clean water. It may be necessary to rinse the tank more than once, then drain again as directed above.
- Allow all pieces to completely dry before reinstalling parts and storing the unit.

## CLEANING THE NOZZLE

See Figure 13.

If the nozzle becomes plugged, use the steps below to clear.

- Remove the battery pack.
- Unscrew and remove the nozzle from the spray wand.
- Push a small wire through the cross holes to clear any debris. If necessary, rinse the cross holes and nozzle with clean water.
- Wipe the nozzle and cross holes with a clean dry cloth and reinstall the nozzle.

# WARRANTY

## LIMITED WARRANTY STATEMENT

Techtronic Industries North America, Inc., warrants to the original retail purchaser that this RYOBI™ brand outdoor product is free from defect in material and workmanship and agrees to repair or replace, at Techtronic Industries North America, Inc.'s, discretion, any defective product free of charge within these time periods from the date of purchase.

- Three years if the product is used for personal, family or household use;
- 90 days, if used for any other purpose, such as commercial or rental.

This warranty extends to the original retail purchaser only and commences on the date of the original retail purchase.

Any part of this product found in the reasonable judgment of Techtronic Industries North America, Inc. to be defective in material or workmanship will be repaired or replaced without charge for parts and labor by an authorized service center for RYOBI™ brand outdoor products (Authorized Ryobi Service Center).

The product, including any defective part, must be returned to an authorized Ryobi service center within the warranty period. The expense of delivering the product to the service center for warranty work and the expense of returning it back to the owner after repair or replacement will be paid by the owner. Techtronic Industries North America, Inc.'s, responsibility in respect to claims is limited to making the required repairs or replacements and no claim of breach of warranty shall be cause for cancellation or rescission of the contract of sale of any RYOBI™ brand outdoor product. Proof of purchase will be required by the dealer to substantiate any warranty claim. All warranty work must be performed by an authorized service dealer.

This warranty is limited to ninety (90) days from the date of original retail purchase for any RYOBI™ brand outdoor product that is used for rental or commercial purposes, or any other income-producing purpose.

This warranty does not cover any product that has been subject to misuse, neglect, negligence, or accident, or that has been operated in any way contrary to the operating instructions as specified in this operator's manual. This warranty does not apply to any damage to the product that is the result of improper maintenance or to any product that has been altered or modified. The warranty does not extend to repairs made necessary by normal wear or by the use of parts or accessories which are either incompatible with the RYOBI™ brand outdoor product or adversely affect its operation, performance, or durability. In addition, this warranty does not cover:

- A. Tune-ups – Spark Plugs, Carburetor, Carburetor Adjustments, Ignition, Filters
- B. Wear items – Bump Knobs, Outer Spools, Cutting Lines, Inner Reels, Starter Pulleys, Starter Ropes, Drive Belts, Tines, Felt Washers, Hitch Pins, Mulching Blades, Blower Fans, Blower and Vacuum Tubes, Vacuum Bag and Straps, Guide Bars, Saw Chains

Techtronic Industries North America, Inc., reserves the right to change or improve the design of any RYOBI™ brand outdoor product without assuming any obligation to modify any product previously manufactured.

ALL IMPLIED WARRANTIES ARE LIMITED IN DURATION TO THE STATED WARRANTY PERIOD. ACCORDINGLY, ANY SUCH IMPLIED WARRANTIES INCLUDING MERCHANTABILITY, FITNESS FOR A PARTICULAR PURPOSE, OR OTHERWISE, ARE DISCLAIMED IN THEIR ENTIRETY AFTER THE EXPIRATION OF THE APPROPRIATE THREE-YEAR OR NINETY-DAY WARRANTY PERIOD. TECHTRONIC INDUSTRIES NORTH AMERICA, INC.'S, OBLIGATION UNDER THIS WARRANTY IS STRICTLY AND EXCLUSIVELY LIMITED TO THE REPAIR OR REPLACEMENT OF DEFECTIVE PARTS AND TECHTRONIC INDUSTRIES NORTH AMERICA, INC., DOES NOT ASSUME OR AUTHORIZE ANYONE TO ASSUME FOR THEM ANY OTHER OBLIGATION. SOME STATES DO NOT ALLOW LIMITATIONS ON HOW LONG AN IMPLIED WARRANTY LASTS, SO THE ABOVE LIMITATION MAY NOT APPLY TO YOU. TECHTRONIC INDUSTRIES NORTH AMERICA, INC., ASSUMES NO RESPONSIBILITY FOR INCIDENTAL, CONSEQUENTIAL, OR OTHER DAMAGES INCLUDING, BUT NOT LIMITED TO, EXPENSE OF RETURNING THE PRODUCT TO AN AUTHORIZED RYOBI SERVICE CENTER AND EXPENSE OF DELIVERING IT BACK TO THE OWNER, MECHANIC'S TRAVEL TIME, TELEPHONE OR TELEGRAM CHARGES, RENTAL OF A LIKE PRODUCT DURING THE TIME WARRANTY SERVICE IS BEING PERFORMED, TRAVEL, LOSS OR DAMAGE TO PERSONAL PROPERTY, LOSS OF REVENUE, LOSS OF USE OF THE PRODUCT, LOSS OF TIME, OR INCONVENIENCE. SOME STATES DO NOT ALLOW THE EXCLUSION OR LIMITATION OF INCIDENTAL OR CONSEQUENTIAL DAMAGES, SO THE ABOVE LIMITATION OR EXCLUSION MAY NOT APPLY TO YOU.

This warranty gives you specific legal rights, and you may also have other rights which vary from state to state.

This warranty applies to all RYOBI™ brand outdoor products manufactured by or for Techtronic Industries North America, Inc., and sold in the United States and Canada.

To locate your nearest Authorized Ryobi Service Center, dial 1-800-860-4050.





# INSTRUCTIONS IMPORTANTES CONCERNANT LA SÉCURITÉ



## AVERTISSEMENT :

**LIRE CES INSTRUCTIONS.** Le non-respect de toutes les instructions ci-dessous peut entraîner un choc électrique, un incendie et / ou des blessures graves.

### LIRE TOUTES LES INSTRUCTIONS AVANT D'UTILISER L'APPAREIL

- **Apprenez à connaître votre pulvérisateur de produits chimiques.** Lisez et veillez à bien comprendre ce guide d'utilisation et conformez-vous aux avertissements et aux instructions apposées sur la boîte.
- **N'utilisez pas le produits dans des atmosphères explosives, en présence des liquides, des gaz ou des poussières inflammables.** Les outils électriques génèrent des étincelles qui peuvent enflammer la poussière ou les fumées.
- **Éloigner les spectateurs et les enfants de la zone pendant l'utilisation de ce produit.** L'exposition à quelques produits chimiques représente un risque.
- **Ce produit convient pour l'usage d'intérieur et extérieur.**
- **Restez vigilant, regardez ce que vous faites et utilisez votre meilleur jugement lorsque vous utilisez ce produit. N'utilisez pas si vous êtes fatigué ou sous influence de drogues, d'alcool ou de médicaments.** Un moment d'inattention pendant l'utilisation de ce produit peut résulter en une blessure grave.
- **Portez des vêtements appropriés. Ne portez pas de vêtements trop amples ou des bijoux. Attachez des cheveux longs. Gardez vos cheveux, vos vêtements et vos gants à l'écart des pièces en mouvement.** Les pièces en mouvement peuvent happer les vêtements amples, les bijoux et les cheveux longs.
- **Utilisez des dispositifs de sécurité. Toujours porter une protection oculaire avec écrans latéraux ou lunettes de sécurité et une masque anti-poussières.** Protégez les yeux, la peau et les poumons contre les vapeurs en dérive et pendant le mixage, le remplissage et le nettoyage du produit.
- **Ne travaillez pas à bout des bras. Gardez vos pieds fermement au sol et maintenez l'équilibre. N'utilisez pas d'échelles ni de supports instables.** Un bon appui sur une surface solide permet de mieux contrôler le produit dans des situations inattendues.
- **N'utilisez pas le produit s'il est impossible de l'éteindre ou le mettre en marche à l'aide de l'interrupteur.** Tout produit qui ne peut pas être contrôlé à l'aide de l'interrupteur est dangereux et doit être réparé.
- **Entreposez le produit loin de la portée des enfants et ne permettez pas à des personnes qui ne se sont pas familiarisées avec le produits ou ces instructions d'utiliser le produit.**
- **Gardez le pulvérisateur et sa poignée secs, propres et libres de dépôt d'huile ou de graisse.** Utilisez toujours un chiffon propre pour le nettoyage. N'utilisez jamais de liquide pour freins, d'essence, des produits à base de pétrole ou des solvants forts pour nettoyer votre outil. Le respect de cet avertissement réduira le risque d'une perte de contrôle et de détérioration de boîtier en plastique.
- **Utilisez ce produit conformément à ces instructions et tel que prévu en prenant compte des conditions de travail et de la tâche à effectuer.** L'utilisation du produit à des fins différentes de celles qui ont été prévues pourrait mener à une situation dangereuse.
- **Éviter une mise en marche accidentelle. Assurez-vous que l'interrupteur est en position arrêt avant d'insérer la pile.** L'installation de la pile quand l'interrupteur de l'outil est en position marche augmente le risque d'accidents.
- **Pour recharger les piles, utilisez seulement le chargeur spécifié par le fabricant.** L'usage de tout autre bloc peut créer un risque de blessures et d'incendie.
- **Ne recharger les batteries qu'avec l'appareil indiqué.** Pour utiliser l'appareil avec des batteries au nickel-cadmium et au lithium-ion de 18 V, consulter le supplément de raccordement pour chargeur/outils/batteries/appareil n° 987000-432.
- **Quand la pile n'est pas utilisée, gardez-la à l'écart des objets en métal tels que les trombones, les pièces de monnaie, les clés, les clous, les vis ou d'autres petits objets métalliques qui pourraient connecter les bornes.** Des bornes court-circuitées pourraient causer des brûlures ou un incendie.
- **Du liquide peut être éjecté de la pile en cas de manutention abusive, évitez tout contact. En cas de contact accidentel, rincez avec beaucoup d'eau. Si le liquide pénètre dans vos yeux, il faut aussi consulter un médecin.** L'électrolyte qui s'échappe de la pile peut causer des démangeaisons ou des brûlures.
- **Faites réparer votre outil électrique par un réparateur qualifié qui utilise des pièces de rechange identiques aux pièces d'origine.** Le maintien de la sûreté de l'outil électrique sera ainsi assuré.
- **Lors de réparation du produit, utilisez seulement des pièces identiques aux pièces d'origine. Suivez les instruction contenues dans la section *Entretien de ce manuel*.** L'utilisation des pièces non-autorisées ou défaut de suivre les instructions d'Entretien peut provoquer un risque de choc électrique ou de blessure.

# RÈGLES DE SÉCURITÉ PARTICULIÈRES

## INSTRUCTIONS IMPORTANTES CONCERNANT LA SÉCURITÉ

### **DANGER :**

**Risque d'incendie ou d'explosion.** Ne pulvérisez pas de liquides inflammables tels que l'essence. Cherchez ce symbole de référence sur le contenant.

### **AVERTISSEMENT :**

Certains vapeurs des produits utilisés avec ce pulvérisateur contiennent des produits chimiques connus par l'Etat de Californie pour provoquer le cancer, des défauts de naissance ou autres dommages de reproduction. Quelques exemples de tels produits chimiques incluent :

- des composés contenus dans des engrais;
- des composés présents dans les insecticides, herbicides et pesticides;
- de l'arsenic et du chrome présents dans le bois traité chimiquement.

Suivez les instructions sur les contenants de tous ces produits. Pour réduire l'exposition à ces produits chimiques, portez des vêtements de sécurité approuvés tels que les masques faciaux spécialement conçues pour filtrer les vapeurs, les gants et d'autre équipement de protection.

- **Avant d'utiliser des pesticides ou d'autres bouillies dans ce pulvérisateur, lisez attentivement l'étiquette du contenant original et suivez les instructions.** Certains mélanges de pulvérisation sont dangereux et ne devraient pas être utilisés avec ce pulvérisateur parce qu'ils peuvent endommager l'outil et causer des sérieuses blessures et des dommages matériels.
- **Risque d'un choc électrique.** Ne pulvérisez jamais dans la direction des prises de courant.
- **N'utilisez pas des produits chimiques de qualité commerciale ni des produits chimiques conçus à des fins commerciales ou industrielles.** Utilisez seulement des produits chimiques pour jardin à base d'eau de consommation courante.
- **Ne versez pas des liquides chauds ou bouillants dans le réservoir.** Ils peuvent affaiblir ou endommager le tuyau ou le réservoir.
- **L'aire de pulvérisation doit être aérée.**
- **Evite rociar en días ventosos.** El rocío puede ser dirigido accidentalmente hacia plantas u objetos que no deberían ser rociados.
- **Entreposez le pulvérisateur à l'intérieur, dans un endroit sûr et bien ventilé après avoir vidé le réservoir de liquide.**
- **N'utilisez pas des liquides caustiques (alcali) auto-échauffants ou corrosifs avec ce pulvérisateur.** Ils peuvent corroder les pièces métalliques ou affaiblir le réservoir et le tuyau.
- **Prendre connaissance des emballages avant de pulvériser les produits chimiques. Lire toutes les fiches signalétiques et les étiquettes du contenant fournies avec le produit chimique.** Suivre les mesures de sécurité du fabricant de produits chimiques.
- **Ne laissez pas de résidus ou de bouillie dans le réservoir après avoir utilisé le pulvérisateur.** Nettoyez après chaque usage.
- **Ne fumez pas quand vous utilisez le pulvérisateur, et n'utilisez pas l'outil en présence des étincelles ou des flammes.**
- **Risque d'injection.** Ne déversez pas directement sur la peau.
- **Pour réduire le risque de choc électrique, ne submergez pas le pulvérisateur dans l'eau ou tout autre liquide.** Ne placez pas et n'entreposez pas le pulvérisateur dans un endroit où il peut tomber ou être tiré dans un évier ou une baignoire.
- **Entretenez ce produit. Inspectez attentivement l'intérieur et l'extérieur ainsi que les composants avant chaque usage. Vérifiez l'outil pour déceler les tuyaux fendus ou endommagés, les fuites, les gicleurs bouchés et les pièces manquantes ou endommagées. En cas de dommages, faites réparer le produit avant l'utilisation.** Plusieurs accidents sont causés par des produits mal entretenus.
- **Déconnectez la pile de l'unité avant de vider, nettoyer ou entreposer le pulvérisateur.** De telles mesures de prévention réduisent le risque d'une mise en marche accidentelle.
- **Toujours porter une protection oculaire avec écrans latéraux ou lunettes de sécurité certifiée conforme à la norme ANSI Z87.1.** Le non-respect de cette règle peut faire en sorte que des liquides soient projetés dans vos yeux, ce qui peut entraîner des blessures graves.
- **Protégez vos poumons. Portez un masque facial ou anti-poussières quand vous utilisez le pulvérisateur.** Le respect de cet avertissement réduira le risque des blessures graves.
- **Les outils fonctionnant sur piles n'ayant pas besoin d'être branchés sur une prise de courant, ils sont toujours en état de fonctionnement. Tenir compte des dangers possibles lorsque l'outil n'est pas en usage et lors du remplacement des piles. Retirer le bloc-**




# RÈGLES DE SÉCURITÉ PARTICULIÈRES

- piles dès la fin de l'utilisation de l'outil.** Le respect de cette consigne réduira les risques d'incendie, de choc électrique et de blessures graves.
- **Ne pas placer les outils électriques sans fil ou leurs batteries à proximité de flammes ou d'une source de chaleur.** Ceci réduira les risques d'explosion et de blessures.
  - **Ne pas écraser, faire tomber ou endommager le bloc de piles. Ne jamais utiliser un bloc de piles ou un chargeur qui est tombé, a été écrasé, a reçu un choc violent ou a été endommagé de quelque façon que ce soit.** Une pile endommagée risque d'exploser. Éliminer immédiatement toute pile endommagée, selon une méthode appropriée.
  - **Les piles et peuvent exploser en présence d'une source d'allumage, telle qu'une veilleuse.** Pour réduire les risques de blessures graves, ne jamais utiliser un appareil sans fil, quel qu'il soit, en présence d'une flamme vive. En explosant, une pile peut projeter des débris et des produits chimiques. En cas d'exposition, rincer immédiatement les parties atteintes avec de l'eau.
  - **Ne pas recharger un outil fonctionnant sur piles dans un endroit humide ou mouillé.** Le respect de cette règle réduira les risques de choc électrique.
  - **Pour un résultat optimal, les piles de l'outil doivent être rechargées dans un local où la température est de 10 à 38 °C (50 à 100 °F).** Ne pas ranger l'outil à l'extérieur ou dans un véhicule.
  - **Si l'outil est utilisé de façon intensive ou sous des températures extrêmes, des fuites de pile peuvent se produire. En cas de contact du liquide avec la peau, rincez immédiatement la partie atteinte avec de l'eau savonneuse. En cas d'éclaboussure dans les yeux, rincez-les à l'eau fraîche pendant au moins 10 minutes, puis contactez immédiatement un médecin.** Le respect de cette consigne réduira les risques de blessures graves.
  - **Ne pas utiliser d'appareil alimenté par pile sous la pluie.**
  - **Prendre soin de manipuler les piles de manière à éviter le court-circuitage avec des matières conductrices comme les bagues, bracelets et clé.** La pile ou le conducteur peut surchauffer et causer des brûlures.
  - **Ne pas jeter les piles dans un feu.** La pile peut exploser. Consulter les règlements locaux pour connaître les dispositions spéciales de mise au rebut.
  - **Ne pas ouvrir ou endommager les piles.** La fuite d'électrolyte est corrosive et peut occasionner des blessures aux yeux ou à la peau. L'électrolyte est toxique lorsqu'avalé.
  - **Éviter les environnements dangereux -** Ne pas utiliser d'appareils dans des endroits humides ou mouillés.
  - **Utiliser le bon appareil -** Ne pas utiliser d'appareil pour tout travail pour lequel il n'a pas été conçu.
  - **Ne pas forcer un appareil -** Ce dernier n'améliorera pas le travail et sera plus sûr s'il est utilisé selon le rythme pour lequel il a été conçu.
  - **Ranger les appareils à énergie vampire à l'intérieur -** Lorsqu'ils ne sont pas utilisés, les appareils peuvent être rangés à l'intérieur dans un endroit sec, élevé ou sous clé et hors de portée des enfants.
  - **Entretien l'appareil avec soins -** Garder l'appareil propre afin d'obtenir une performance optimale et réduire le risque de blessures. Suivre les instructions pour changer les accessoires. Inspecter périodiquement le cordon d'alimentation et, s'il est endommagé, le faire réparer par un centre de réparations agréé. Garder les mains propres, sèches, sans graisse ou lubrifiant.
  - **S'assurer que les pièces sont en bon état -** Avant d'utiliser à nouveau l'appareil, un protecteur endommagé ou une pièce brisée doit être vérifié soigneusement afin de déterminer le bon état de fonctionnement et de performance pour lequel il a été conçu. S'assurer du bon alignement des pièces mobiles, que les pièces mobiles sont perpendiculaires et intactes, que les pièces sont installées correctement et qu'aucune condition ne nuise au bon fonctionnement. Un protecteur brisé ou toute autre pièce endommagée doit être réparé ou remplacé par un centre de réparations agréé, sauf s'il en est indiqué autrement dans ce manuel.







## CONSERVER CES INSTRUCTIONS

# SYMBOLES

Les termes de mise en garde suivants et leur signification ont pour but d'expliquer le degré de risques associé à l'utilisation de ce produit.

| SYMBOLE   | SIGNAL                 | SIGNIFICATION  |
|---|------------------------|--|
|  | <b>DANGER :</b>        | Indique une situation dangereuse qui, si elle n'est pas évitée, aura pour conséquences des blessures graves ou mortelles.  |
|  | <b>AVERTISSEMENT :</b> | Indique une situation dangereuse qui, si elle n'est pas évitée, pourrait entraîner des blessures graves ou mortelles.  |
|  | <b>ATTENTION :</b>     | Indique une situation dangereuse qui, si elle n'est pas évitée, pourrait entraîner des blessures légères ou de gravité modérée.  |
|   | <b>AVIS :</b>          | (Sans symbole d'alerte de sécurité) Indique les informations jugées importantes sans toutefois représenter un risque de blessure (ex. : messages concernant les dommages matériels). |

Certains des symboles ci-dessous peuvent être utilisés sur produit. Veiller à les étudier et à apprendre leur signification. Une interprétation correcte de ces symboles permettra d'utiliser produit plus efficacement et de réduire les risques.

| SYMBOLE   | NOM                                 | DÉSIGNATION / EXPLICATION   |
|---|-------------------------------------|---|
|    | Symbole d'alerte de sécurité        | Indique un risque de blessure potentiel.  |
|   | Lire manuel d'utilisation           | Pour réduire les risques de blessures, l'utilisateur doit lire et veiller à bien comprendre le manuel d'utilisation avant d'utiliser ce produit.  |
|  | Protection oculaire                 | Toujours porter une protection oculaire avec écrans latéraux ou lunettes de sécurité certifiée conforme à la norme ANSI Z87.1.  |
|  | Avertissement concernant l'humidité | Ne pas exposer à la pluie ou l'humidité.  |
|  | Surface brûlante                    | Pour éviter les risques de blessures ou de dommages, éviter tout contact avec les surfaces brûlantes..  |
|  | Symboles de recyclage               | Ce produit utilise les piles de nickel-cadmium (Ni-Cd) ou lithium-ion (Li-ion). Les réglementations locales ou gouvernementales peuvent interdire de jeter les piles dans les ordures ménagères. Consulter les autorités locales compétentes pour les options de recyclage et/ou l'élimination. |
| V   | Volts                               | Tension   |
| ==  | Courant continu                     | Type ou caractéristique du courant  |
| PSI   | Pression                            | La pression est mesurée en livres par pouce carré   |

# CARACTÉRISTIQUES

## FICHE TECHNIQUE

Capacité du réservoir ..... 3,8 l (1 gal)  
Moteur ..... 18 V c.c.

## VEILLER À BIEN CONNAÎTRE LA PULVERISATEUR DE PRODUITS CHIMIQUES

Voir la figure 1.

La sécurité d'utilisation de ce produit exige la compréhension des informations apposées sur l'outil et contenues dans ce manuel d'utilisation, ainsi que la connaissance du travail à exécuter. Avant d'utiliser ce produit, familiarisez-vous avec toutes ses fonctions et règles de sécurité.

## BUSE DE PULVÉRISATION RÉGLABLE

La buse offre un débit de liquide en forme de jet se transformant progressivement en jet en éventail.

## BOUCHON MESUREUR

Le bouchon mesureur peut être utilisé à mesurer jusqu'à 118,28 ml (4 oz) de liquide.

Pression de pulvérisation ..... 45 psi

## PULVERISATION SANS POMPAGE

L'alimentation à bloc-piles du pulvérisateur garde un cycle de circulation continu dans le réservoir et permet une pulvérisation sans recours au pompage.

## RÉSERVOIR

Le réservoir est marqué pour mesurer jusqu'à 3,8L (1 gallon) de liquide. Il y a de la place pour 118,28 ml (4 oz) de liquide additionnel qui peut être mesuré et versé à l'aide de bouchon.

## GÂCHETTE AVEC VERROUILLAGE

Le gâchette peut être verrouillée pour pulvériser de manière continue.

# ASSEMBLAGE

## DÉBALLAGE

Ce produit doit être assemblé.

- Avec précaution, sortir le produit et les accessoires de la boîte. S'assurer que toutes les pièces figurant sur la liste de contrôle sont incluses.

## AVERTISSEMENT :

Ne pas utiliser le produit si, en le déballant, vous constatez que des éléments figurant dans la liste de contrôle d'expédition sont déjà assemblés. Certaines pièces figurant sur cette liste n'ont pas été assemblées par le fabricant et exigent une installation. Le fait d'utiliser un produit qui a été assemblé de façon inadéquate peut entraîner des blessures.

- Examiner soigneusement le produit pour s'assurer que rien n'a été brisé ou endommagé en cours de transport.
- Ne pas jeter les matériaux d'emballage avant d'avoir soigneusement examiné le produit et avoir vérifié qu'il fonctionne correctement.
- Si des pièces sont manquantes ou endommagées, appeler le 1-800-860-4050.

## LISTE DE CONTRÔLE D'EXPÉDITION

Pulvérisateur de produits chimiques

Tuyau

Capuchon

Ensemble de lance de pulvérisation (comprend joint torique en O, bouchon, et écrou)

Poignée

Manuel d'utilisation

## AVERTISSEMENT :

Si des pièces manquent ou sont endommagées, ne pas utiliser ce produit avant qu'elles aient été remplacées. Le fait d'utiliser ce produit même s'il contient des pièces endommagées ou s'il lui manque des pièces peut entraîner des blessures graves.

## AVERTISSEMENT :

Ne pas essayer de modifier cet outil ou de créer des accessoires non recommandés. De telles altérations ou modifications sont considérées comme un usage abusif et peuvent créer des conditions dangereuses, risquant d'entraîner des blessures graves.

# ASSEMBLAGE

## **AVERTISSEMENT :**

Pour empêcher un démarrage accidentel pouvant entraîner des blessures graves, toujours retirer le pile de l'produit avant d'assembler des pièces.

### **RACCORD DE LA LANCE D'ARROSAGE À LA POIGNÉE**

Voir la figure 2.

- Insérer la lance d'arrosage dans la poignée comme il est indiqué.
- Glisser le joint torique en O jusqu'à ce qu'il touche la poignée.
- Enfiler le capuchon sur la poignée et serrer fermement.
- Tourner le buse jusqu'à ce que c'est alignée avec la poignée (vers le bas) et prêt à l'emploi.
- Glisser l'écrou sur le capuchon et serrer fermement.
- Tirer sur la lance d'arrosage pour s'assurer qu'elle est fixée solidement.
- Déposer l'assemblage de poignée dans le compartiment de rangement de la poignée.

### **ATTACHEMENT DU TUYAU**

Voir les figures 3 et 4.

#### **Pour raccorder le boyau au réservoir :**

- Glisser l'écrou du nez pour l'éloigner de l'extrémité du boyau.
- Insérer l'extrémité du boyau dans l'ouverture située sur le réservoir, comme montré. Assurez-vous que la connexion est serrée.
- Glisser l'écrou sur l'ouverture et l'extrémité du boyau. Serrez à la main. Ne serrez pas excessivement.

#### **Pour raccorder le boyau à la poignée :**

Le boyau est déjà raccordé à la poignée. Suivre les instructions ci-dessous si le raccordement devient lâche.

- Enfiler le capuchon sur la poignée et serrer fermement.
- Glisser l'écrou du nez pour l'éloigner de l'extrémité du boyau.
- Insérer l'extrémité du boyau dans l'ouverture du capuchon. Assurez-vous que la connexion est serrée.
- Glisser l'écrou par-dessus le boyau et le capuchon. Serrez à la main. Ne serrez pas excessivement.

# UTILISATION

## **AVERTISSEMENT :**

Ne pas laisser la familiarité avec l'produit faire oublier la prudence. Ne pas oublier qu'une fraction de seconde d'inattention peut entraîner des blessures graves.

## **AVERTISSEMENT :**

Toujours porter une protection oculaire ou porter des lunettes avec écrans latéraux certifiée conforme à la norme ANSI Z87.1. Le non respect de cette règle peut faire en sorte que des liquides soient projetés dans vos yeux, ce qui peut entraîner des blessures graves.

## **AVERTISSEMENT :**

Ne pas utiliser d'produits ou accessoires non recommandés par le fabricant pour cet produit. L'utilisation de pièces et accessoires non recommandés peut entraîner des blessures graves.

## **AVERTISSEMENT :**

Utilisez l'équipement de protection. Protégez les yeux, la peau et les poumons pendant le mixage, le remplissage et le nettoyage. Si cette précaution n'est pas prise, des blessures ou des dommages pourraient en résulter.

## **AVIS:**

Avant chaque utilisation, inspecter au complet le produit afin de s'assurer qu'aucune pièce (vis, écrous, boulons, chapeaux, etc.) n'est endommagée, manquante ou desserrée. Serrer solidement toutes les pièces de fixation et les chapeaux et ne pas utiliser le produit tant que toutes les pièces manquantes ou endommagées n'ont pas été remplacées. Se il vous plaît communiquer avec le service à la clientèle ou un centre de réparations qualifié.

### **APPLICATIONS**

Cet produit peut être utilisé pour les applications ci-dessous :

- À utiliser avec la plupart des produits chimiques pour jardins pour la maison comme les insecticides, fongicides, herbicides et fertilisants

# UTILISATION

## INSTALLATION / RETRAIT DU BLOC-PILES

Voir la figure 5.

### **AVERTISSEMENT :**

Toujours retirer la pile de l'outil au moment d'assembler des pièces, d'effectuer des réglages et de procéder au nettoyage, ou lorsque l'outil n'est pas utilisé. Le fait de retirer la pile permet d'empêcher un démarrage accidentel pouvant entraîner des blessures graves.

#### Installation :

- Aligner la nervure surélevée de la pile avec la rainure du compartiment et insérer le bloc-piles dans le produit.
- S'assurer que ses deux loquets latéraux s'engagent correctement et vérifier que le bloc est solidement assujéti avant d'utiliser l'outil.

#### Retrait :

- Appuyer sur les deux loquets se trouvant sur les côtés du bloc-piles pour le séparer de l'outil et retirer le bloc-piles de l'outil.

### **AVERTISSEMENT :**

Risque d'incendie ou d'explosion. L'aire de pulvérisation doit être ventilée et située à l'écart des étincelles et des flammes.

## MISE EN MARCHÉ ET ARRÊT DU PULVÉRISATEUR

Voir les figures 6 et 7.

- Pour mettre le pulvérisateur en **MARCHÉ**, appuyer sur le bouton « ON/OFF » (marche/arrêt).
- Pour amener le liquide à la lance d'arrosage, enfoncez le gâchette.
- Pour arrêter le débit du liquide dans la lance d'arrosage, relâchez le gâchette.
- Pour **ÉTEINDRE** le pulvérisateur, appuyer à nouveau sur le bouton « ON/OFF » (marche/arrêt).

## VERROUILLAGE

Voir la figure 7.

La fonction verrouillage est utile quand vous pulvérisez pendant une période de temps prolongée ou quand vous voulez couvrir une large zone.

- Pour verrouiller, appuyer sur la gâchette et la pousser vers l'avant.
- Pour déverrouiller, appuyer sur la gâchette et la pousser vers l'arrière.

**NOTE :** Assurez-vous que le levier de la soupape n'est pas verrouillé quand vous insérez la batterie dans le pulvérisateur.

## REPLISSAGE DU RÉSERVOIR

Voir la figure 8.

### **AVERTISSEMENT :**

Suivez toujours les instructions des fabricants des produits chimiques relatives à l'utilisation, le nettoyage et l'entreposage imprimées sur l'étiquette de leur produit. Nettoyez bien après chaque utilisation, conformément aux instructions dans la section *Entretien* de ce manuel. Les produits chimiques doivent être entreposés loin de la portée des enfants. Le non-respect de cet avertissement peut résulter en des blessures graves.

Les liquides à pulvériser doivent avoir la même consistance que l'eau. Des liquides plus épais ne pourront pas être pulvérisés proprement.

Ne remplissez pas le réservoir au-delà de la capacité.

- Retirer le bloc de piles.
- Dévissez le bouchon mesureur et enlevez-le du réservoir.
- Remplissez le réservoir avec la quantité de l'eau désirée [jusqu'à 3,79 L (1 gallon)].
- Mesurez la quantité du liquide recommandée. Le bouchon mesureur peut être utilisé à mesurer jusqu'à 118,28 ml (4 oz) de liquide.
- Versez le liquide dans le réservoir avec précaution.
- Rincez le bouchon mesureur avec de l'eau propre.
- Vissez le bouchon au pulvérisateur, assurez-vous qu'il est serré.
- Réinstallez bloc-piles.

Les mélanges à pulvériser peuvent être pré-mixés et versés dans le pulvérisateur, à l'aide d'un entonnoir si nécessaire.

**NOTE :** Si pour mesurer vous utilisez un autre récipient que le bouchon, ou si vous utilisez un entonnoir pour remplir le réservoir, assurez-vous de bien nettoyer ces articles après l'usage. Si vous pré-mélangez la solution de pulvérisation, rincez le récipient utilisé pour mélanger.

### **AVIS:**

Il est important de bien nettoyer le unité après chaque utilisation. Le fait de laisser de la liquide dans un outil au repos pendant une longue période pourrait entraîner le grippage des pièces mobiles ou des raccords de l'appareil.

## RÉGLAGE DE LA BUSE DE PULVÉRISATION

Voir la figure 9.

La buse de pulvérisation peut être utilisée en forme de jet et se transformer progressivement en jet en éventail.

- Retirer le bloc de piles.
- Desserrez le buse pour le jet en continu.
- Serrez le buse pour le jet en éventail.



# UTILISATION

## PULVÉRISATION DE PRODUITS CHIMIQUES DOMESTIQUES ET HORTICOLES

Voir les figures 10 et 11.

- Installez le bloc-piles de l'outil.
- Appuyer sur le bouton « ON/OFF » pour démarrer le moteur.
- Le pulvérisateur peut fonctionner pendant que la poignée repose dans le compartiment de rangement de la poignée, comme montré à la figure 10, ou en utilisant et en tenant la poignée, comme montré à la figure 11.
- Orientez le buse directement sur les plantes ou les objets que vous voulez arroser.  
**NOTE :** Assurez-vous de vous tenir assez loin de l'objet arrosé pour que le mélange pulvérisé ne vous éclabousse pas.
- Enfoncez le gâchette pour commencer à pulvériser.
- Relâchez le gâchette pour arrêter de pulvériser.
- Videz et nettoyez le réservoir après chaque utilisation comme instruit dans la section *Entretien*.

- Nettoyer complètement l'appareil portatif avant de le ranger ou d'utiliser un produit chimique différent. Voir le chapitre **Nettoyage d'unité** plus loin dans le présent manuel.
- Quand vous avez fini d'utiliser le pulvérisateur, nettoyez bien vos mains et toute partie de votre peau qui a été exposée au mélange pulvérisé.

## CONSEILS D'UTILISATION

- Ne pointez jamais le bout de la lance d'arrosage sur vous ou sur les autres.
- Évitez de pulvériser pendant des journées de vent. Le mélange peut être accidentellement soufflé sur les plantes et les objets qui ne doivent pas être pulvérisés.
- Ne pulvériser jamais dans la direction des gens ou des animaux; pulvérisez toujours dans la direction du vent.
- Si le temps est plus chaud, pulvérisez tôt dans la matinée ou tard dans l'après-midi. Une chaleur excessive peut évaporer le mélange à pulvériser avant qu'il ne se dépose.
- Ne fumez, ne mangez et ne buvez jamais quand vous utilisez le pulvérisateur.

# ENTRETIEN

## **AVERTISSEMENT :**

Pour empêcher un démarrage accidentel pouvant entraîner des blessures graves, toujours retirer le bloc de batterie de l'outil avant tout nettoyage ou entretien.

## **AVERTISSEMENT :**

Utiliser exclusivement des pièces identiques pour les réparations. L'usage de toute autre pièce pourrait créer une situation dangereuse ou endommager l'produit.

## **AVERTISSEMENT :**

Toujours porter une protection oculaire ou porter des lunettes avec écrans latéraux certifiée conforme à la norme ANSI Z87.1. Le non respect de cette règle peut faire en sorte que des liquides soient projetés dans vos yeux, ce qui peut entraîner des blessures graves.

## **AVIS:**

Inspecter périodiquement au complet le produit afin de s'assurer qu'aucune pièce (vis, écrous, boulons, chapeaux, etc.) n'est endommagée, manquante ou desserrée. Serrer solidement toutes les pièces de fixation et les chapeaux et ne pas utiliser le produit tant que toutes les pièces manquantes ou endommagées n'ont pas été remplacées. Pour obtenir de l'aide, veuillez communiquer avec le Service à la clientèle ou un centre de réparations qualifié.

# ENTRETIEN

## ENTRETIEN GÉNÉRAL

Éviter d'utiliser des solvants pour le nettoyage des pièces en plastique. La plupart des matières plastiques peuvent être endommagées par divers types de solvants du commerce. Utiliser un chiffon propre pour éliminer la saleté, la poussière, l'huile, la graisse, etc.

### **AVERTISSEMENT :**

Ne jamais laisser de liquides tels que le fluide de freins, l'essence, les produits à base de pétrole, les huiles pénétrantes, etc., entrer en contact avec les pièces en plastique. Les produits chimiques peuvent endommager, affaiblir ou détruire le plastique, ce qui peut entraîner des blessures graves.

## NETTOYAGE D'UNITÉ

Voir la figure 12.

### **AVERTISSEMENT :**

Entreposez et jetez des produits chimiques conformément aux instructions. L'évacuation de l'eau de rinçage contaminée devrait être effectuée conformément aux règlements locaux.

## POUR VIDER LE RÉSERVOIR

S'il y a des restes de liquide dans le réservoir après l'utilisation, le réservoir devrait être vidé avant le nettoyage.

- Retirer le bloc de piles.
- Enlevez le carter du moteur du réservoir en levant et en relâchant les loquets, à chaque extrémité de l'unité.
- Videz le contenu à travers la zone de remplissage.

**NOTE :** Videz le contenu dans le récipient d'origine. N'entreposez pas les produits chimiques dans le réservoir.

## NETTOYAGE DU RÉSERVOIR

- Remplissez environ un tiers du réservoir avec de l'eau propre. Une petite quantité de détergent ménager peut être ajouté.

**NOTE :** N'utilisez jamais des produits chimiques inflammables ou des agents de nettoyage corrosifs pour nettoyer le réservoir.

- Essuyez l'extérieur du réservoir avec un linge propre et sec.
- Rattachez le carter du moteur au réservoir. Assurez-vous que les attaches soient fermées.
- Réinstallez le bloc-piles de l'outil. Pulvérisez jusqu'à vider le réservoir. Assurez-vous d'orienter le jet vers un endroit qui ne sera pas endommagé par la solution de pulvérisation.
- Remplissez de nouveau et répétez la procédure avec de l'eau propre. Il est possible qu'il soit nécessaire de rincer le réservoir plus d'une fois. Dans ce cas videz de nouveau selon les instructions ci-dessus.
- Laisser toutes les pièces sécher complètement avant de les réinstaller et d'entreposer l'unité.

## NETTOYAGE DU BUSE

Voir la figure 13.

En cas d'obstruction du buse, utiliser les étapes suivantes pour nettoyer.

- Retirer le bloc de piles.
- Dévissez et enlevez le buse de la lance de pulvérisation.
- Poussez un bout de fil à travers les trous pour enlever les débris. Si nécessaire, rincez les trous et le buse avec de l'eau propre.
- Essuyez le buse et les trous avec un chiffon propre et sec et réinstallez le buse.

# GARANTIE

## ÉNONCÉ DE LA GARANTIE LIMITÉE

Techtronic Industries North America, Inc., garantit à l'acheteur original que ce produit RYOBI™ est exempt de tous vices de matériaux ou de fabrication et s'engage à réparer ou remplacer gratuitement, à son choix, tout produit s'avérant défectueux au cours des périodes indiquées ci-dessous, à compter de la date d'achat.

- Trois ans sur les produits utilisés par des particuliers ;
- 90 jours sur les produits utilisés à toutes autres fins, telles que les travaux commerciaux et la location.

Cette garantie n'est offerte qu'à l'acheteur original et entre en vigueur à la date de l'achat original.

Toute pièce de ce produit jugée, après évaluation raisonnable par Techtronic Industries North America, Inc., comme présentant des vices de matériaux ou de fabrication, sera réparée ou remplacée, sans facturation pour pièces ou main d'œuvre par un centre de réparations agréé pour produits d'extérieur de marque RYOBI™ (centre de réparations Ryobi agréé).

Le produit, y compris toutes les pièces défectueuses devront être retournés à un centre de réparations Ryobi agréé, avant expiration de la période de garantie. Les frais d'expédition au centre de réparations pour les travaux sous garantie et de retour au propriétaire du produit seront assumés par le propriétaire. En ce qui concerne les réclamations en garantie, la responsabilité Techtronic Industries North America, Inc., se limitera à la réparation ou au remplacement des produits défectueux et aucune revendication de rupture de garantie ne pourra causer l'annulation ou la résiliation du contrat de vente d'un produit d'extérieur RYOBI™ quel qu'il soit. Une preuve d'achat sera exigée par le centre de réparation, afin de valider toute réclamation au titre de la garantie. Toutes les réparations sous garantie devront être effectuées par un centre de réparations agréé.

La garantie sur tout produit d'extérieur RYOBI™ utilisé pour la location, des travaux commerciaux ou tout autre usage lucratif, sera limitée à quatre-vingt-dix (90) jours, à compter de la date d'achat au détail original.

Cette garantie ne couvre pas les produits ayant fait l'objet d'un usage abusif ou négligent, d'un manque d'entretien, ayant été impliqués dans un accident ou employé de façon contraire aux instructions du manuel d'utilisation. Cette garantie ne couvre ni les dommages aux produits résultant d'un manque d'entretien, ni les produits qui ont été altérés ou modifiés. La garantie exclut les réparations rendues nécessaires par l'usure normale ou l'utilisation de pièces et accessoires incompatibles avec le produit d'extérieur RYOBI™ ou nuisibles à son bon fonctionnement, ses performances ou sa durabilité. En outre, cette garantie exclut :

A. Les réglages – Bougies, carburateur, réglages du carburateur, allumage, filtres

B. Les articles consommables – Boutons d'avance par choc, bobines externes, lignes de coupe, bobines internes, poulies et cordons de lanceur, courroies d'entraînement, dents, rondelles en feutre, axes d'attelage, lames de paillage, ventilateur de soufflante, tubes de soufflage et d'aspiration, sacs à débris, guides, chaînes de scie

Techtronic Industries North America, Inc., se réserve le droit d'apporter des modifications ou améliorations à tout produit extérieur RYOBI™, sans obligation de modifier les produits fabriqués antérieurement.

LA DURÉE DE TOUTES LES GARANTIES IMPLICITES NE SAURAIT EN AUCUN CAS EXCÉDER LA PÉRIODE DE GARANTIE DÉCLARÉE. PAR CONSÉQUENT, TOUTES LES GARANTIES IMPLICITES, Y COMPRIS LES GARANTIES DE VALEUR MARCHANDE OU D'ADÉQUATION À UN USAGE PARTICULIER OU AUTRES SERONT INVALIDÉES À L'EXPIRATION DE LA PÉRIODE DE GARANTIE APPROPRIÉE DE TROIS ANS OU QUATRE-VINGT-DIX JOURS. LES OBLIGATIONS DE TECHTRONIC INDUSTRIES NORTH AMERICA, INC., DANS LE CADRE DE CETTE GARANTIE SE LIMITENT EXCLUSIVEMENT À LA RÉPARATION OU AU REMPLACEMENT DES PIÈCES DÉFECTUEUSES ET TECHTRONIC INDUSTRIES NORTH AMERICA, INC. N'ASSUME OU N'AUTORISE QUICONQUE À ASSUMER QUELQUE AUTRE OBLIGATION QUE CE SOIT. CERTAINS ÉTATS ET PROVINCES NE PERMETTANT PAS DE LIMITATION DE DURÉE DES GARANTIES IMPLICITES, LES RESTRICTIONS CI-DESSOUS PEUVENT NE PAS ÊTRE APPLICABLES. TECHTRONIC INDUSTRIES NORTH AMERICA, INC., DÉCLINE TOUTE RESPONSABILITÉ EN CE QUI CONCERNE LES DOMMAGES DIRECTS, INDIRECTS OU AUTRES, Y COMPRIS, MAIS SANS S'Y LIMITER, LES FRAIS DE RETOUR DE PRODUITS À UN CENTRE DE RÉPARATION RYOBI AGRÉÉ ET DE RENVOI AU PROPRIÉTAIRE, DE DÉPLACEMENT D'UN TECHNICIEN, DE TÉLÉPHONE OU TÉLÉGRAMME, DE LOCATION D'UN PRODUIT SIMILAIRE PENDANT LA DURÉE DES RÉPARATIONS SOUS GARANTIE, DE DÉPLACEMENT, DE PERTES OU DOMMAGES À DES BIENS PERSONNELS, DE MANQUE À GAGNER, DE PERTE D'USAGE DU PRODUIT, DE PERTE DE TEMPS OU DE DÉRANGEMENT. CERTAINS ÉTATS ET PROVINCES NE PERMETTANT L'EXCLUSION OU LA LIMITATION DES DOMMAGES DIRECTS OU INDIRECTS, LES RESTRICTIONS CI-DESSOUS PEUVENT NE PAS ÊTRE APPLICABLES.

Cette garantie donne au consommateur des droits spécifiques, et celui-ci peut bénéficier d'autres droits, qui varient selon les états ou provinces.

Cette garantie couvre tous les produits d'extérieur RYOBI™ fabriqués par Techtronic Industries North America, Inc., vendus aux États-Unis et au Canada.

Pour obtenir l'adresse du centre de réparations Ryobi agréé le plus proche, appeler le 1-800-860-4050.



# INSTRUCCIONES DE SEGURIDAD IMPORTANTES

## **ADVERTENCIA:**

**LEA ESTAS INSTRUCCIONES.** El incumplimiento de las instrucciones señaladas abajo puede causar descargas eléctricas, incendios y lesiones corporales serias.

### LEA TODAS LAS INSTRUCCIONES ANTES DE UTILIZAR EL APARATO

- **Conozca su rociador de sustancias químicas.** Lea y comprenda el manual del operador y observe las advertencias y etiquetas de instrucciones adheridas a la herramienta.
- **No utilice el producto en atmósferas explosivas, como las existentes alrededor de líquidos, gases y polvos inflamables.** Las herramientas eléctricas crean chispas que pueden incendiar el polvo o las emanaciones.
- **No permita que haya personas presentes o niños en la zona mientras utiliza este producto.** La exposición a algunos químicos puede ser peligrosa.
- **Este producto es conveniente para el uso de interior y al aire libre.**
- **Permanezca alerta, preste atención a lo que esté haciendo y use el sentido común al utilizar este producto. No utilice este producto si está cansado o se encuentra bajo los efectos de alguna droga, alcohol o medicamento.** Un momento de descuido al utilizar este producto puede causar lesiones corporales graves.
- **Vístase de manera apropiada. No use ropas holgadas ni joyas. Recójase el cabello si está largo. Mantenga el cabello, la ropa y los guantes alejados de las piezas móviles.** Las ropas holgadas, las joyas y el cabello largo pueden engancharse en las piezas móviles.
- **Use equipo de seguridad. Siempre póngase protección ocular con protección lateral o gafas protectoras y una mascarilla antipolvo.** Protéjase los ojos, la piel y los pulmones del material en suspensión durante las operaciones de mezclado, llenado y limpieza.
- **No se estire demasiado. Mantenga los pies bien asentados y el equilibrio en todo momento. No utilice la unidad al estar en una escalera o en un soporte inestable.** Una postura estable sobre una superficie sólida permite un mejor control del producto en situaciones inesperadas.
- **No use el producto si el interruptor no enciende o no apaga.** Un producto que no puede controlarse con el interruptor es peligroso y debe repararse.
- **Guarde el producto fuera del alcance de los niños y no permita que lo utilicen personas no familiarizadas con él o con estas instrucciones.**
- **Mantenga el rociador y el mango secos, limpios y sin aceite ni grasa.** Siempre utilice un paño limpio para la limpieza de la unidad. Nunca utilice fluidos para frenos, gasolina, productos a base de petróleo ni solventes fuertes para limpiar la herramienta. Con el cumplimiento de esta regla se reduce el riesgo de una pérdida de control y el deterioro del alojamiento de plástico de la unidad.
- **Use este producto de conformidad con estas instrucciones, y de la forma apropiada para la que fue diseñado, tomando en cuenta las condiciones de trabajo y la tarea por realizar.** Si se utiliza este producto para operaciones diferentes de las indicadas podría originar una situación peligrosa.
- **Evite los arranques accidentales. Asegúrese de que el interruptor esté en la posición de apagado antes de colocar la batería.** Introducir el paquete de baterías en un producto que tenga el interruptor en encendido propicia accidentes.
- **Use el producto solamente con baterías específicamente diseñadas.** El uso de cualquier otro tipo de batería puede crear riesgo de lesiones o incendio.
- **Cargue las pilas solamente con el cargador indicado.** Para utilizar con paquetes de baterías de níquel-cadmio de 18 V o de iones de litio de 18 V, consulte el folleto de la herramienta/aparato/paquete de baterías/cargador complementario 987000-432.
- **Cuando no se use la batería manténgala alejada de otros objetos de metal como clips para papel, monedas, llaves, clavos, tornillos u otros objetos de metal pequeños que puedan realizar una conexión entre los bornes.** Realizar un corto circuito en los terminales de la batería puede provocar quemaduras o un incendio.
- **Bajo condiciones abusivas, puede salir líquido expulsado de la batería; evite el contacto. Si se produce un contacto accidental, lave con agua. Si el líquido llega a tocar los ojos, además busque atención médica.** El líquido que sale despedido de la batería puede causar irritaciones o quemaduras.
- **Permita que un técnico de reparación calificado preste servicio a este producto, y sólo con piezas de repuesto idénticas.** Esto asegurará que se mantenga la seguridad de la herramienta eléctrica.
- **Al dar servicio a este producto, sólo utilice piezas de repuesto idénticas. Siga las instrucciones señaladas en la sección *Mantenimiento* de este manual.** El empleo de piezas no autorizadas o el incumplimiento de las instrucciones de mantenimiento puede significar un riesgo de descarga eléctrica o de lesiones.

# REGLAS DE SEGURIDAD ESPECÍFICAS

## INSTRUCCIONES DE SEGURIDAD IMPORTANTES



### PELIGRO:

**Riesgo de incendio o explosión.** No pulverice líquidos inflamables como gasolina. Busque este símbolo en el recipiente.



### ADVERTENCIA:

Algunos vapores creados por los productos utilizados con el rociador contienen sustancias químicas reconocidas por el estado de California como causantes de cáncer, defectos congénitos y otras afecciones del aparato reproductor. Algunos ejemplos de dichos productos químicos son:

- compuestos contenidos en fertilizantes;
- compuestos contenidos en insecticidas, herbicidas y pesticidas;
- arsénico y cromo de la madera químicamente tratada.

Siga las instrucciones de los contenedores de todos esos productos. Para reducir la exposición personal a este tipo de productos químicos, trabaje con equipo de seguridad aprobado, como mascarillas especialmente diseñadas para filtrar los vapores, guantes y otros equipos de protección adecuados.

- **Antes de usar cualquier pesticida u otro material para pulverizar en este rociador, lea cuidadosamente la etiqueta del contenedor original y siga las instrucciones.** Algunos materiales para pulverizar son peligrosos y no deben utilizarse en este rociador, ya que pueden dañar el rociador y causar lesiones corporales graves y daños a los bienes.
- **Peligro de descarga eléctrica.** Nunca pulverice en dirección de las tomas de corriente de pared.
- **No utilice productos químicos de calidad comercial ni productos químicos para uso comercial o industrial.** Sólo utilice productos químicos para césped y jardín de calidad de uso doméstico, a base de agua.
- **No vierta líquidos calientes ni hirvientes en el tanque.** Pueden debilitar o dañar la manguera o el tanque.
- **El área de rociado debe estar bien ventilada.**
- **Évitez de pulvériser pendant des journées de vent.** Le mélange peut être accidentellement soufflé sur les plantes et les objets qui ne doivent pas être arrosés.
- **Guarde el rociador en un espacio interior, seguro y bien ventilado, con el tanque de líquidos vacío.**
- **No use líquidos cáusticos (álcalis), líquidos para autocalentamiento ni líquidos corrosivos (ácidos) en este rociador.** Pueden corroer las piezas de metal o debilitar el tanque y la manguera.
- **Conozca el contenido de las sustancias químicas que rocía. Lea todas las hojas de datos de seguridad de materiales (MSDS, por sus siglas en inglés) y las etiquetas de los recipientes que vienen con la sustancia química.** Siga las instrucciones de seguridad del fabricante de la sustancia química.
- **No deje residuos ni material para rociar en el tanque después de haber usado el rociador.** Límpielo después de cada uso.
- **No fume mientras utiliza el rociador,** ni rocíe en presencia de chispas o llamas.
- **Riesgo de inyección.** No descargue el rociador directamente sobre la piel.
- **Para reducir el riesgo de descarga eléctrica no sumerja el rociador en agua ni en ningún otro líquido.** No coloque ni guarde el rociador donde pueda caer o ser arrastrado a una bañera o fregadero.
- **Realice el mantenimiento de este producto. Inspeccione cuidadosamente la parte interna y la parte externa del rociador, y examine sus componentes antes de cada uso. Verifique que no tenga mangueras agrietadas ni deterioradas, fugas, boquillas tapadas ni piezas faltantes o dañadas. Si está dañado, haga reparar el producto antes de usarlo.** Numerosos accidentes son causados por productos mal cuidados.
- **Desconecte la batería de la unidad antes de drenar, limpiar o guardar el rociador.** Tales medidas preventivas de seguridad reducen el riesgo de arrancar accidentalmente el rociador.
- **Siempre póngase protección ocular con protección lateral o gafas protectoras con la marca de cumplimiento de la norma ANSI Z87.1.** La inobservancia de esta advertencia puede causar el lanzamiento de objetos a los ojos, y por consecuencia posibles lesiones serias.
- **Protéjase los pulmones. Use una careta o mascarilla contra el polvo cuando use el rociador.** Con el cumplimiento de esta regla se reduce el riesgo de lesiones corporales serias.
- **Las herramientas de baterías no se necesitan conectar a una toma de corriente; por lo tanto, siempre están en condiciones de funcionamiento. Esté consciente de los posibles peligros cuando no esté usando la herramienta de baterías o cuando esté cambiando los accesorios de la misma. Retire el paquete de baterías cuando no esté usando la unidad.** Con el cumplimiento de esta regla se reduce el riesgo de una descarga eléctrica, incendio o lesión corporal seria.




# REGLAS DE SEGURIDAD ESPECÍFICAS

- **No coloque herramientas de baterías ni las baterías mismas cerca del fuego o del calor.** De esta manera se reduce el riesgo de explosiones y de lesiones.
- **No aplaste, deje caer o dañe la batería. Nunca utilice una batería o cargador que se ha caído, aplastado, recibido un golpe contundente o ha sido dañado(a) de alguna manera.** Las baterías dañadas pueden sufrir explosiones. Deseche de inmediato toda batería que haya sufrido una caída o cualquier daño.
- **Las baterías pueden explotar en presencia de una fuente de inflamación, como una luz guía.** Para reducir el riesgo de lesiones corporales serias, nunca use un producto inalámbrico en presencia de llamas expuestas. La explosión de una batería puede lanzar fragmentos y compuestos químicos. Si ha quedado expuesto a la explosión de una batería, lávese de inmediato con agua.
- **No cargue herramientas de baterías en lugares mojados o húmedos.** Con el cumplimiento de esta regla se reduce el riesgo de una descarga eléctrica.
- **Para obtener resultados óptimos, debe cargar la herramienta de baterías en un lugar donde la temperatura esté entre 10 a 38 °C (50 a 100 °F).** No guarde la herramienta a la intemperie ni en el interior de vehículos.
- **En condiciones extremas de uso o temperatura las baterías pueden emanar líquido. Si el líquido llega a tocarle la piel, lávese de inmediato con agua y jabón. Si le entra líquido en los ojos, láveselos con agua limpia por lo menos 10 minutos, y después busque de inmediato atención médica.** Con el cumplimiento de esta regla se reduce el riesgo de lesiones corporales serias.
- **No use aparatos accionados por baterías en la lluvia.**
- **Tenga cuidado cuando maneje baterías a fin de no realizar un cortocircuito en la batería con materiales conductores como anillos, brazaletes y llaves.** La batería o el conductor pueden recalentarse y provocar quemaduras
- **No deseche las baterías en el fuego.** Las celdas pueden explotar. Verifique los códigos locales para conocer posibles instrucciones especiales para desecharlas.
- **No abra ni desarme las baterías.** Los electrolitos liberados son corrosivos y pueden causar daños en los ojos o la piel. Puede ser tóxico si se ingiere.
- **Evite los entornos peligrosos:** no utilice el artefacto en ubicaciones mojadas o húmedas.
- **Utilice el artefacto adecuado:** no utilice el artefacto para ningún trabajo que no sea para el que está diseñado.
- **No fuerce el artefacto:** hará mejor el trabajo y con menos probabilidades de generar lesiones a la velocidad para la que fue diseñado.
- **Guarde los artefactos ociosos en interiores:** cuando no estén en uso, los artefactos deben guardarse en interiores en un lugar seco, de altura o con llave, fuera del alcance de los niños.
- **Mantenga el artefacto con cuidado:** manténgalo limpio para un mejor rendimiento y para reducir el riesgo de lesiones. Siga las instrucciones para cambiar los accesorios. Inspeccione el cable del artefacto y, si está dañado, haga que lo reparen en un establecimiento de servicio autorizado. Mantenga los mangos secos, limpios y libres de grasa y lubricante.
- **Revise las piezas dañadas:** antes de seguir utilizando el artefacto, es necesario inspeccionar cuidadosamente si hay algún protector o alguna pieza dañados y determinar si funcionará correctamente y realizará la función correspondiente. Verifique la alineación de las piezas móviles y que estas no estén atascadas, que no haya piezas rotas, el montaje de las piezas y cualquier otra condición que pudiera afectar su funcionamiento. Cualquier protección o pieza que esté dañada debe ser reparada apropiadamente o reemplazada en un centro de servicio autorizado, a menos que se indique otra cosa en este manual.







## CONSERVE ESTAS INSTRUCCIONES

# SÍMBOLOS

Las siguientes palabras de señalización y sus significados tienen el objeto de explicar los niveles de riesgo relacionados con este producto.

| SÍMBOLO   | SEÑAL               | SIGNIFICADO   |
|---|---------------------|---|
|  | <b>PELIGRO:</b>     | Indica una situación peligrosa, la cual, si no se evita, causará la muerte o lesiones serias.   |
|  | <b>ADVERTENCIA:</b> | Indica una situación peligrosa, la cual, si no se evita, podría causar la muerte o lesiones serias.   |
|  | <b>PRECAUCIÓN:</b>  | Indica una situación peligrosa la cual, si no se evita, puede causar lesiones leves o moderadas.  |
|   | <b>AVISO:</b>       | (Sin el símbolo de alerta de seguridad) Indica la información que se considera importante, pero no relacionada con lesiones potenciales (por ej. en relación a daños a la propiedad). |

Es posible que se empleen en este producto algunos de los siguientes símbolos. Le suplicamos estudiarlos y aprender su significado. Una correcta interpretación de estos símbolos le permitirá utilizar mejor y de manera más segura el producto.

| SÍMBOLO   | NOMBRE                        | DENOMINACIÓN/EXPLICACIÓN   |
|---|-------------------------------|--|
|    | Alerta de seguridad           | Indica un peligro posible de lesiones personales.  |
|   | Lea el manual del operador    | Para reducir el riesgo de lesiones, el usuario debe leer y comprender el manual del operador antes de usar este producto.  |
|  | Protección ocular             | Siempre póngase protección ocular con protección lateral o gafas protectoras con la marca de cumplimiento de la norma ANSI Z87.1.  |
|  | Alerta de condiciones húmedas | No exponga la unidad a la lluvia ni la use en lugares húmedos.   |
|  | Superficie caliente           | Para reducir el riesgo de lesiones corporales o daños materiales evite tocar toda superficie caliente.   |
|  | Símbolos de reciclado         | Este producto contiene baterías de níquel-cadmio o iones de litio. Es posible que algunas leyes municipales, estatales o federales prohíban desechar las baterías de níquel-cadmio en la basura normal. Consulte a las autoridades reguladoras de desechos para obtener información en relación con las alternativas de reciclado y desecho disponibles. |
| V   | Voltios                       | Voltaje  |
| ≡   | Corriente continua            | Tipo o característica de corriente   |
| PSI   | Presión                       | La presión se mide en libras por pulgada cuadrada  |



# CARACTERÍSTICAS

## ESPECIFICACIONES DEL PRODUCTO

Capacidad del tanque ..... 3,8 l (1 gal)  
Motor ..... 18 V, corr. cont

## CONOZCA SU ROCIADOR DE SUSTANCIAS QUÍMICAS

Vea la figura 1.

El uso seguro que este producto requiere la comprensión de la información impresa en la herramienta y en el manual del operador así como ciertos conocimientos sobre el proyecto a realizar. Antes de usar este producto, familiarícese con todas las características de funcionamiento y normas de seguridad.

## BOQUILLA ROCIADORA AJUSTABLE

La boquilla ajusta el flujo de líquido de chorro a rociado en abanico.

## TAPA MEDIDORA

La tapa medidora se puede usar para medir hasta 118,28 ml (4 oz) de líquido.

Presión del rociado ..... 45 psi

## ROCIADOR SIN BOMBA

El rociador de batería mantiene el fluido en circulación constante dentro del tanque para permitir el rociado sin bomba.

## TANQUE

El tanque está graduado para medir hasta 3,8 litros (1 galón) de líquido. Hay lugar para agregar otros 118,28 ml (4 oz) que se pueden medir y verter con la tapa.

## GATILLO CON SEGURO

La gatillo se puede trabar para rociar en forma continua.

# ARMADO

## DESEMPAQUETADO

Este producto requiere armarse.

- Extraiga cuidadosamente de la caja la producto y los accesorios. Asegúrese de que estén presentes todos los artículos enumerados en la lista de empaquetado.

## ADVERTENCIA:

No utilice este producto si alguna pieza incluida en la lista de empaquetado ya está ensamblada al producto cuando lo desempaqueta. El fabricante no ensambla las piezas de esta lista en el producto. Éstas deben ser instaladas por el usuario. El uso de un producto que puede haber sido ensamblado de forma inadecuada podría causar lesiones personales graves.

- Inspeccione cuidadosamente la producto para asegurarse de que no haya sufrido ninguna rotura o daño durante el transporte.
- No deseche el material de empaquetado hasta que haya inspeccionado cuidadosamente la producto y la haya utilizado satisfactoriamente.
- Si hay piezas dañadas o faltantes, le suplicamos llamar al 1-800-860-4050, donde le brindaremos asistencia.

## LISTA DE EMPAQUETADO

Rociador de sustancias químicas  
Manguera  
Tapa  
Conjunto del tubo rociador (incl. anillo en "O", tapa, y tuerca)  
Mango  
Manual del operador

## ADVERTENCIA:

Si falta o está dañada alguna pieza, no utilice este producto sin haber reemplazado la pieza. Usar este producto con partes dañadas o faltantes puede causar lesiones serias al operador.

## ADVERTENCIA:

No intente modificar esta herramienta ni hacer accesorios no recomendados para ella. Cualquier alteración o modificación constituye un uso indebido, y puede crear una situación peligrosa que culmine en lesiones corporales graves.

# ARMADO

## **ADVERTENCIA:**

Para evitar un arranque accidental que podría causar lesiones corporales serias, siempre desmonte el paquete de baterías al armar las piezas.

## **CONEXIÓN DEL TUBO ROCIADOR AL MANGO**

*Vea la figura 2.*

- Inserte el tubo rociador en el mango como se muestra.
- Deslice la anillo en “O” down hasta que toque el mango.
- Enrosque la tapa en el mango y ajuste en forma firme.
- Gire la boquilla para que quede alineado con el mango (hacia abajo) y listo para la operación.
- Deslice la tuerca sobre la tapa y ajuste en forma firme.
- Tire del tubo rociador para asegurarse de que esté debidamente asegurada.
- Coloque el mango armado en el área de almacenamiento del mango.

## **CONEXIÓN DE LA MANGUERA**

*Vea las figuras 3 y 4.*

### **Para conectar la manguera al tanque:**

- Deslice la tuerca en la manguera lejos del extremo de la manguera.
- Inserte el extremo de la manguera en la apertura del tanque como se muestra en la figura. Asegúrese de que la conexión esté firme.
- Deslice la tuerca sobre la apertura y el extremo de la manguera. Apriétela a mano. No apriete excesivamente.

### **Para conectar la manguera al mango:**

La manguera viene unida previamente al mango. Si se afloja, sigas las instrucciones a continuación.

- Enrosque la tapa en el mango y ajuste en forma firme.
- Deslice la tuerca en la manguera lejos del extremo de la manguera.
- Inserte el extremo de la manguera en la apertura de la tapa. Asegúrese de que la conexión esté firme.
- Deslice la tuerca sobre la manguera y la tapa. Apriétela a mano. No apriete excesivamente.

# FUNCIONAMIENTO

## **ADVERTENCIA:**

No permita que su familiarización con las herramientas lo vuelva descuidado. Tenga presente que un descuido de un instante es suficiente para causar una lesión grave.

## **ADVERTENCIA:**

Siempre póngase protección ocular con protección lateral o gafas protectoras con la marca de cumplimiento de la norma ANSI Z87.1. La inobservancia de esta advertencia puede causar el lanzamiento de objetos a los ojos, y por consecuencia posibles lesiones serias.

## **ADVERTENCIA:**

No utilice ningún aditamento o accesorio no recomendado por el fabricante de esta herramienta. El empleo de aditamentos o accesorios no recomendados podría causar lesiones serias.

## **ADVERTENCIA:**

Póngase equipo de seguridad. Protéjase los ojos, la piel y los pulmones durante las operaciones de mezclado, llenado, rociado y limpieza. La inobservancia de esta advertencia puede causar lesiones corporales graves y daños a los bienes.

## **AVISO:**

Antes de cada uso, inspeccione todo el producto para detectar partes dañadas, faltantes o sueltas, como tornillos, tuercas, pernos, tapas, etc. Apriete firmemente todos los sujetadores y las tapas y no accione este producto hasta que todas las partes faltantes o dañadas sean reemplazadas. Póngase en contacto con el servicio al cliente o con un centro de servicio calificado para obtener ayuda.

## **APLICACIONES**

Esta herramienta puede emplearse para los fines enumerados abajo:

- Para usar con la mayoría de los químicos para el hogar y el jardín de uso residencial, como insecticidas, fungicidas, herbicidas y fertilizantes

# FUNCIONAMIENTO

## INSTALACIÓN/EXTRACCIÓN DEL PAQUETE DE BATERÍAS

Vea la figura 5.

### **ADVERTENCIA:**

Retire siempre el paquete de baterías de la herramienta antes de instalar las piezas, realizar ajustes. Limpíela o cuando no la utilice. Retirar el paquete de baterías evitará que la unidad se accione accidentalmente y provoque lesiones graves.

#### Para conectar:

- Alinee el saliente elevado del paquete de baterías con la ranura en el compartimiento para baterías y coloque el paquete de pilas en la herramienta.
- Asegúrese de que los pestillos situados en ambos lados del paquete de pilas entren completamente en su lugar con un chasquido y de que el paquete quede bien asegurado en la herramienta antes de empezar a utilizar ésta.

#### Para el desmontaje:

- Oprima los pestillos situados en ambos lados del paquete de baterías para soltar éste de la herramienta.

### **ADVERTENCIA:**

Riesgo de incendio o explosión. El área de rociado debe estar bien ventilada y lejos de chispas o llamas.

## ENCENDIDO Y APAGADO DEL ROCIADOR

Vea las figuras 6 y 7.

- Para **ENCENDER** el rociador, presione el botón de encendido/apagado.
- Para iniciar el flujo de líquido en el tubo rociador, oprima la gatillo.
- Para detener el flujo de líquido en el tubo rociador, oprima la gatillo.
- Para **APAGAR** el rociador, presione el botón de encendido/apagado nuevamente.

## SEGURO DE ENCENDIDO

Vea la figura 7.

El seguro de encendido resulta útil cuando se rocía durante un período prolongado o se cubre un área grande.

- Para bloquear, presione el gatillo y deslice hacia adelante.
- Para liberar el bloqueo, presione el gatillo y deslice hacia atrás.

**NOTA:** Asegúrese de que la gatillo no tenga el seguro de encendido puesto antes de introducir el paquete de pilas en el rociador.

## LLENADO DEL TANQUE

Vea la figura 8.

### **ADVERTENCIA:**

Siempre siga las instrucciones del fabricante del producto químico impresas en la etiqueta del producto para su uso, limpieza y almacenamiento. Limpie bien la unidad después de cada uso, siguiendo las instrucciones de la sección *Mantenimiento* de este manual. Los productos químicos deben ser almacenados fuera del alcance de los niños. La inobservancia de esta advertencia puede causar lesiones corporales graves.

Los líquidos para rociar deben tener la consistencia del agua. Los líquidos más espesos no se rocían correctamente.

No llene excesivamente el tanque.

- Retire el paquete de baterías.
- Desenrosque la tapa medidora y retírela del tanque.
- Llene el tanque con la cantidad de agua deseada [hasta 3,79 l (1 galón)].
- Mida la cantidad recomendada de líquido. Se puede usar la tapa para medir hasta 118,28 ml (4 oz)
- Vierta cuidadosamente el líquido en el tanque.
- Enjuague la tapa medidora con agua limpia.
- Vuelva a enroscar la tapa en el rociador, asegurándose de que esté bien apretada.
- Vuelva a instalar el paquete de baterías.

Si es necesario, se puede preparar previamente la mezcla de soluciones para rociar y se las puede verter en el rociador usando un embudo.

**NOTA:** Si usa un envase medidor que no sea la tapa, o si usa un embudo para llenar el tanque, asegúrese de limpiar y enjuagar bien estos elementos después de usarlos. Si prepara previamente la mezcla de la solución para rociar, enjuague el contenedor usado.

### **AVISO:**

Es importante limpiar bien la unidad después de cada uso. Dejar que la fluide permanezcan en una herramienta sin uso durante un período prolongado puede provocar que sus piezas y conectores móviles se agarroten.

## AJUSTE DE LA BOQUILLA ROCIADORA

Vea la figura 9.

La boquilla rociadora puede ajustarse de chorro a rociado en abanico.

- Retire el paquete de baterías.
- Afloje la boquilla para formar un chorro.
- Apriete la boquilla para rociar en abanico.

# FUNCIONAMIENTO

## PRODUCTOS QUÍMICOS ROCIADORES PARA EL HOGAR Y EL JARDÍN

Vea las figuras 10 y 11.

- Instale de la herramienta el paquete de batería.
- Presione el botón de encendido/apagado para encender el motor.
- El rociador puede funcionar con el mango descansando en el área de almacenamiento del mango como se muestra en la figura 10 o puede retirar y sostener el mango como se muestra en la figura 11.

- Apunte la boquilla rociadora directamente hacia las plantas u objetos que desea rociar.

**NOTA:** Asegúrese de pararse lo suficientemente lejos del objeto que está rociando para evitar que el rocío lo salpique.

- Oprima el gatillo para iniciar el rociado.
- Suelte el gatillo para detener el rociado
- Siempre vacíe, limpie y drene el tanque después de cada uso, como se indica en la sección *Mantenimiento*.

- Limpie cuidadosamente la unidad de la mochila antes de guardarla o de utilizar una sustancia química diferente. Vea **Limpieza del unidad** más adelante en este manual.
- Cuando haya terminado de usar el rociador, lávese bien las manos y cualquier área de la piel que haya quedado expuesta al rocío.

## CONSEJOS DE OPERACIÓN

- Nunca apunte el extremo rociador del tubo rociador hacia usted mismo ni hacia los demás.
- Evite rociar en días ventosos. El rocío puede ser dirigido accidentalmente hacia plantas u objetos que no deberían ser rociados.
- Nunca dirija el rocío hacia personas o animales; siempre rocíe a favor del viento.
- Especialmente en días más cálidos, rocíe temprano a la mañana o a finales de la tarde. El calor excesivo puede evaporar el rocío antes de que se asiente.
- Nunca fume, coma ni beba mientras utiliza el rociador.

# MANTENIMIENTO

## ADVERTENCIA:

Para evitar lesiones corporales serias, siempre retire el paquete de baterías de la herramienta al limpiarla o darle mantenimiento.

## ADVERTENCIA:

Siempre póngase protección ocular con protección lateral o gafas protectoras con la marca de cumplimiento de la norma ANSI Z87.1. La inobservancia de esta advertencia puede causar el lanzamiento de objetos a los ojos, y por consecuencia posibles lesiones serias.

## ADVERTENCIA:

Al dar servicio a la unidad, sólo utilice piezas de repuesto idénticas. El empleo de piezas diferentes puede causar un peligro o dañar el producto.

## AVISO:

Inspeccione periódicamente todo el producto para detectar partes dañadas, faltantes o sueltas, como tornillos, tuercas, pernos, tapas, etc. Apriete firmemente todos los sujetadores y las tapas y no accione este producto hasta que todas las partes faltantes o dañadas sean reemplazadas. Póngase en contacto con el servicio al cliente o con un centro de servicio calificado para obtener ayuda.

## MANTENIMIENTO GENERAL

Evite el empleo de solventes al limpiar piezas de plástico. La mayoría de los plásticos son susceptibles a diferentes tipos de solventes comerciales y pueden resultar dañados. Utilice paños limpios para eliminar la suciedad, el polvo, el aceite, la grasa, etc.

# MANTENIMIENTO

## **ADVERTENCIA:**

No permita en ningún momento que fluidos para frenos, gasolina, productos a base de petróleo, aceites penetrantes, etc., lleguen a tocar las piezas de plástico. Las sustancias químicas pueden dañar, debilitar o destruir el plástico, lo cual a su vez puede producir lesiones corporales serias.

## **LIMPIEZA LA UNIDAD**

*Vea la figura 12.*

## **ADVERTENCIA:**

Siempre almacene y deseche los productos químicos de la manera adecuada. El desecho del agua de enjuague contaminada se debe realizar en cumplimiento con las ordenanzas y disposiciones locales.

## **DRENADO DEL TANQUE**

Si después de rociar queda líquido en el tanque, se debe drenar el tanque antes de limpiarlo.

- Retire el paquete de baterías.
- Retire el alojamiento del motor del tanque levantando y soltando los pestillos que se encuentran en cada extremo de la unidad.
- Drene el contenido por el área de llenado.

**NOTA:** Vuelva a drenar el contenido en su contenedor original. No almacene productos químicos en el tanque.

## **LIMPIEZA DEL TANQUE**

- Llene el tanque hasta alrededor de un tercio con agua limpia. Se puede agregar una pequeña cantidad de detergente doméstico suave.

**NOTA:** Nunca use productos químicos inflamables ni agentes de limpieza abrasivos para limpiar el tanque.

- Limpie la parte exterior del tanque con un paño limpio y seco.
- Vuelva a colocar el alojamiento del motor en el tanque. Asegúrese de que los pestillos estén cerrados.
- Vuelva a instalar el paquete de baterías. Rocíe hasta vaciar el tanque. Asegúrese de dirigir el rocío hacia un área que no pueda ser dañada por la solución rociada.
- Vuelva a llenar el tanque y repita el procedimiento con agua limpia. Es posible que resulte necesario enjuagar el tanque más de una vez y luego drenarlo nuevamente como se indicó más arriba.
- Deje que todas las piezas se sequen completamente antes de volver a instalarlas y de guardar la unidad.

## **LIMPIEZA DE LA BOQUILLA**

*Vea la figura 13.*

Si la boquilla se tapa, utilice los pasos anteriores para limpiarla.

- Retire el paquete de baterías.
- Desenrosque et retire la boquilla del tubo rociador.
- Pase un alambre pequeño a través de los orificios en cruz para eliminar cualquier residuo. Si es necesario, enjuague los orificios en cruz y la boquilla con agua limpia.
- Limpie la boquilla y los orificios en cruz con un paño limpio y seco, y vuelva a colocar la boquilla.

# GARANTÍA

## DECLARACIÓN DE LA GARANTÍA LIMITADA

Techtronic Industries North America, Inc. garantiza al comprador original al menudeo que este producto de la marca RYOBI™ carece de defectos en los materiales y en la mano de obra, y acuerda reparar o reemplazar, a la sola discreción de Techtronic Industries North America, Inc., cualquier producto defectuoso, sin cargo alguno al comprador, dentro de los siguientes períodos de tiempo a partir de la fecha de compra.

- Tres años si los productos se emplean para uso personal, familiar o casero;
- 90 días si el producto se emplea para cualquier otro propósito, como el uso comercial o el de alquiler.

Esta garantía se otorga solamente al comprador original al menudeo, y comienza en la fecha de la compra original al menudeo.

Cualquier parte de este producto Techtronic Industries North America, Inc. que, a juicio razonable de la compañía, tenga defectos en los materiales o en la mano de obra, será reparado o reemplazado por un centro de servicio autorizado de herramientas para uso en el exterior de la marca RYOBI™, sin cargo alguno al comprador por concepto de piezas y mano de obra (Centro de Servicio Autorizado Ryobi).

El producto, incluida toda pieza defectuosa, debe enviarse a un centro de servicio autorizado Ryobi dentro del período de la garantía. El gasto de enviar el producto al centro de servicio para cualquier trabajo cubierto por la garantía, así como el gasto de devolverlo al propietario después de la reparación, correrán por cuenta del propietario. La responsabilidad de Techtronic Industries North America, Inc. con respecto a todo reclamo se limita a las reparaciones o reemplazo del producto, y ningún reclamo de incumplimiento de la garantía será causante de la cancelación o rescisión del contrato de venta de ninguna herramienta de uso en el exterior de la marca RYOBI™. En el establecimiento se requerirá el recibo de compra para respaldar cualquier reclamo al amparo de la garantía. Todo trabajo cubierto en la garantía debe ser realizado por un concesionario de servicio autorizado.

Esta garantía se limita a noventa (90) días a partir de la fecha original de la compra de cualquier herramienta de uso en el exterior de la marca RYOBI™ empleada para propósitos comerciales o de alquiler, o cualquier otro propósito generador de ingresos.

Esta garantía no cubre ningún producto que haya sido sujeto a un uso indebido, maltrato, negligencia o accidente, o que haya sido utilizado de cualquier forma contraria a las instrucciones de manejo especificadas en el manual del operador del producto. Esta garantía no aplica a ningún daño en el producto que resulte de un mantenimiento indebido ni a ningún producto que haya sido alterado o modificado. La garantía no cubre ninguna reparación necesaria por el uso normal ni por el uso de piezas o accesorios que sean incompatibles con la herramienta para uso exterior de la marca RYOBI™, o afecten de forma desfavorable su funcionamiento, desempeño o durabilidad.

Además, esta garantía no cubre:

- A. Afinación – Bujías, carburador, ajustes del carburador, encendido, filtros

- B. Artículos sujetos a desgaste – Perillas de tope, carretes exteriores, hilos de corte, carretes interiores, poleas del arrancador, cuerdas del arrancador, correas de transmisión, aspas, arandelas de fieltro y pasadores de enganche, hojas de triturar, ventiladores de sopladoras, tubos de sopladoras y de aspiradoras, sacos y correas de aspiradoras, barras guía y cadenas de sierras

Techtronic Industries North America, Inc. se reserva el derecho a cambiar o mejorar el diseño de cualquier herramienta para uso en el exterior de la marca RYOBI™ sin asumir ninguna obligación de modificar ningún producto fabricado previamente.

TODAS LAS GARANTÍAS IMPLÍCITAS ESTÁN LIMITADAS EN DURACIÓN SEGÚN EL PERÍODO DE GARANTÍA DECLARADA. POR CONSIGUIENTE, CUALQUIER GARANTÍA IMPLÍCITA, INCLUSO LAS DE COMERCIABILIDAD, IDONEIDAD PARA UN PROPÓSITO EN PARTICULAR, O DE CUALQUIER TIPO, PIERDEN TOTALMENTE SU VALIDEZ DESPUÉS DEL VENCIMIENTO DEL PERÍODO DE GARANTÍA CORRESPONDIENTE DE TRES AÑOS O NOVENTA DÍAS. DE CONFORMIDAD CON ESTA GARANTÍA, LA OBLIGACIÓN DE TECHTRONIC INDUSTRIES NORTH AMERICA, INC. SE LIMITA ESTRUCTURAL Y EXCLUSIVAMENTE A LA REPARACIÓN O REPLAZO DE LAS PIEZAS DEFECTUOSAS, Y TECHTRONIC INDUSTRIES NORTH AMERICA, INC. NO ASUME NINGUNA OTRA OBLIGACIÓN, NI AUTORIZA A NADIE ASUMIRLA A NOMBRE DE DICHA COMPAÑÍA. ALGUNOS ESTADOS NO PERMITEN LIMITACIONES EN CUANTO A LA DURACIÓN DE UNA GARANTÍA IMPLÍCITA, POR LO CUAL ES POSIBLE QUE LA LIMITACIÓN ANTERIOR NO SE APLIQUE EN EL CASO DE USTED. TECHTRONIC INDUSTRIES NORTH AMERICA, INC. NO ASUME NINGUNA RESPONSABILIDAD POR DAÑOS DIRECTOS, INDIRECTOS O DE NINGÚN OTRO TIPO, COMO EL GASTO DE ENVIAR EL PRODUCTO A UN CENTRO DE SERVICIO AUTORIZADO RYOBI Y EL GASTO DE ENVIARLO DE ALLÍ AL PROPIETARIO, EL TIEMPO DE VIAJE DEL MECÁNICO, CARGOS TELEFÓNICOS O TELEGRÁFICOS, ALQUILER DE UN PRODUCTO SUSTITUTO DURANTE EL TIEMPO DE REALIZACIÓN DEL SERVICIO DE LA GARANTÍA, VIAJES, PÉRDIDA O DAÑOS A OBJETOS DE PROPIEDAD PERSONAL, PÉRDIDA DE INGRESOS, PÉRDIDA DEL USO DEL PRODUCTO, PÉRDIDA DE TIEMPO O INCONVENIENTES. EN ALGUNOS ESTADOS NO SE PERMITE LA EXCLUSIÓN O LIMITACIÓN DE DAÑOS DIRECTOS O INDIRECTOS, POR LO CUAL ES POSIBLE QUE LA LIMITACIÓN O EXCLUSIÓN DESCRITA ARRIBA NO SE APLIQUE EN SU CASO.

Esta garantía le confiere derechos legales específicos, y es posible que usted goce de otros derechos, los cuales pueden variar de estado a estado.

Esta garantía se aplica a todas las herramientas para uso en el exterior de la marca RYOBI™ fabricadas por Techtronic Industries North America, Inc. y vendidos en Estados Unidos y Canadá.

Para encontrar el centro de servicio autorizado Ryobi más cercano a usted, llame al 1-800-860-4050.

# NOTAS



OPERATOR'S MANUAL  
MANUEL D'UTILISATION / MANUAL DEL OPERADOR  
18 VOLT CHEMICAL SPRAYER  
18 V PULVERISATEUR DE PRODUITS CHIMIQUES  
18 V ROCIADOR DE SUSTANCIAS QUÍMICAS

P2800

CALIFORNIA PROPOSITION 65

**WARNING:**

This product and the chemicals designed to be applied with this product, may contain chemicals, including lead, known to the State of California to cause cancer, birth defects, or other reproductive harm. *Wash hands after handling.*

PROPOSITION 65 DE L'ÉTAT DE CALIFORNIE

**AVERTISSEMENT :**

Ce produit et les produits chimiques conçus pour être appliqués avec ce produit peuvent contenir des produits chimiques, notamment du plomb qui, selon l'État de la Californie, peuvent causer le cancer, des anomalies congénitales et d'autres dommages au système reproducteur. *Bien se laver les mains après toute manipulation.*

CALIFORNIA - PROPUESTA DE LEY NÚM. 65

**ADVERTENCIA:**

Este producto y las sustancias químicas diseñadas para ser aplicadas con este producto pueden contener sustancias químicas (incluido el plomo) reconocidas por el estado de California como causantes de cáncer, defectos congénitos y otras afecciones del aparato reproductor. *Lávese las manos después de utilizar el aparato.*

RYOBI is a trademark of Ryobi Limited and is used pursuant to a license granted by Ryobi Limited.

RYOBI est une marque de RYOBI Limited et est utilisée en vertu d'une licence accordée par Ryobi Limited.

RYOBI es una marca de Ryobi Limited y se utiliza conforme a una licencia otorgada por Ryobi Limited.

• **PARTS AND SERVICE:** Prior to requesting service or purchasing replacement parts, please obtain your item, manufacturing, and serial numbers from the product data plate.

ITEM NO. \_\_\_\_\_

MANUFACTURING NO. \_\_\_\_\_

SERIAL NO. \_\_\_\_\_

**HOW TO OBTAIN REPLACEMENT PARTS:** A replacement parts list is available online at [www.ryobitools.com](http://www.ryobitools.com). Replacement parts can be purchased online or by calling 1-800-860-4050. Replacement parts can also be obtained at one of our service centers.

**HOW TO LOCATE A SERVICE CENTER:** Service centers can be located online at [www.ryobitools.com](http://www.ryobitools.com) or by calling 1-800-860-4050.

**HOW TO OBTAIN CUSTOMER OR TECHNICAL SUPPORT:** To obtain customer or technical support please contact us at 1-800-860-4050.

.....

• **PIÈCES ET SERVICE :** Avant de faire la demande de service ou l'achat de pièces de remplacement, veuillez obtenir le numéro d'article, le numéro de fabrication et le numéro de série à partir de la plaque de données du produit.

NUMÉRO D'ARTICLE \_\_\_\_\_

NUMÉRO DE FABRICATION \_\_\_\_\_

NUMÉRO DE SÉRIE \_\_\_\_\_

**COMMENT OBTENIR LES PIÈCES DE REMPLACEMENT :** Une liste des pièces de rechange est disponible en ligne sur le site [www.ryobitools.com](http://www.ryobitools.com). Les pièces de remplacement peuvent être achetées en ligne ou par téléphone au 1-800-860-4050. Les pièces de remplacement peuvent être obtenues à un de nos centres de service.

**COMMENT TROUVER UN CENTRE DE SERVICE :** Les centres de service peuvent être localisés en ligne au [www.ryobitools.com](http://www.ryobitools.com) ou en téléphonant au 1-800-860-4050.

**COMMENT OBTENIR DE L'AIDE EN CONTACTANT LE SERVICE À LA CLIENTÈLE :** Pour contacter le service à la clientèle pour une question technique ou pour tout autre renseignement, veuillez nous téléphoner au 1-800-860-4050.

.....

• **PIEZAS DE REPUESTO Y SERVICIO:** Antes de solicitar servicio técnico o comprar piezas de repuesto, obtenga su número de artículo, el número de fabricación y el número de serie de la placa de datos del producto.

NÚMERO DE ARTÍCULO \_\_\_\_\_

NÚMERO DE FABRICACIÓN \_\_\_\_\_

NÚMERO DE SERIE \_\_\_\_\_

**CÓMO OBTENER PIEZAS DE REPUESTO:** Una lista de piezas de repuesto está disponibles en línea en la dirección [www.ryobitools.com](http://www.ryobitools.com). Las piezas de repuesto se pueden comprar en nuestro sitio o llamando al 1-800-860-4050. Las piezas de repuesto también se pueden obtener en uno de nuestros centros de servicio.

**CÓMO LOCALIZAR UN CENTRO DE SERVICIO:** Puede encontrar los centros de servicio visitando nuestro sitio en la red mundial, en la dirección [www.ryobitools.com](http://www.ryobitools.com) or by calling 1-800-860-4050.

**CÓMO OBTENER SERVICIO O ASISTENCIA TÉCNICA AL CONSUMIDOR:** Para obtener servicio o asistencia técnica al consumidor, sírvase comunicarse con nosotros llamando al 1-800-860-4050.

TECHTRONIC INDUSTRIES POWER EQUIPMENT

1428 Pearman Dairy Road, Anderson, SC 29625 USA  
1-800-860-4050 • [www.ryobitools.com](http://www.ryobitools.com)