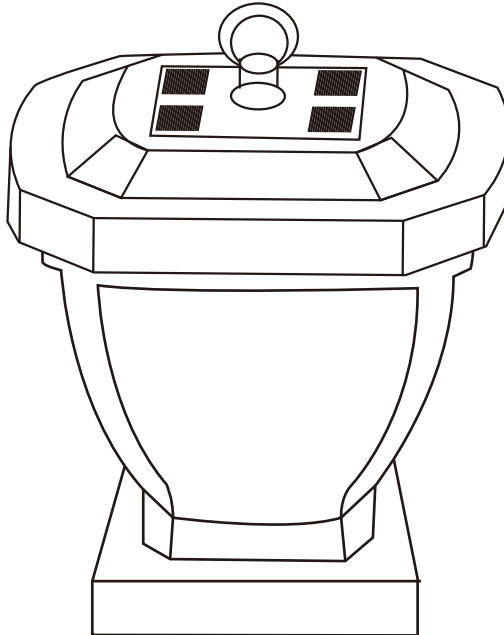




Item #
Model # NXT-DP02

USE AND CARE GUIDE

PLASTIC DECK POST WITH GLASS LENS



Questions, problems, missing parts? Before returning to the store,
call Hampton Bay Customer Service
8 a.m. - 7 p.m., EST, Monday - Friday, 9 a.m. - 6 p.m., EST, Saturday

1-855-HD-HAMPTON

HAMPTONBAY.COM

THANK YOU

We appreciate the trust and confidence you have placed in Hampton Bay through the purchase of these solar lights. We strive to continually create quality products designed to enhance your home. Visit us online to see our full line of products available for your home improvement needs. Thank you for choosing Hampton Bay!

Table of Contents

Table of Contents	2	Deck Post Installation	5
Safety Information	2	Maintenance	6
Warranty	2	Replacing the Battery	6
Pre-Installation	3	Care and Cleaning	6
Planning Installation	3	Troubleshooting	6
How Solar Works	3		
Hardware Included	3		
Package Contents	4		

Safety Information

Please read and understand the instructions in this entire manual before installing these solar lights.



WARNING: Only use NiMH rechargeable batteries with these solar lights. Do not mix battery types.



WARNING: Do not open, short circuit, or mutilate batteries as injury may occur. Batteries must be recycled or disposed of properly.

Warranty

ONE YEAR LIMITED WARRANTY

The manufacturer warrants this product to be free for one (1) year against any defects that are due to faulty materials or workmanship. This warranty applies only to the original consumer purchaser and only to products used in normal use and service. If this product is found to be defective, the manufacturer's only obligation, and your exclusive remedy, is the repair or replacement of the product at the manufacturer's discretion, provided that the product has not been damaged through misuse, abuse, accident, modifications, alterations, neglect, or mishandling. This warranty shall not apply to any product that is found to have been improperly installed, set up, or used in any way not in accordance with the instructions supplied with the product. This warranty shall not apply to a failure of the product as a result of an accident, misuse, abuse, negligence, alteration, or faulty installation or any other failure not relating to faulty workmanship. This warranty shall not apply to the finish on any portion of the product, such as surface and/or weathering, as this is considered normal wear and tear. The manufacturer does not warrant and specifically disclaims any warranty, whether expressed or implied, or fitness for a particular purpose, other than the warranty contained herein. The manufacturer specifically disclaims any liability and shall not be liable for any consequential or incidental loss or damage, including any labor/ expense costs involved in the replacement or repair of said product.

Contact the Customer Service Team at 1-855-HD-HAMPTON or visit www.HamptonBay.com.

Pre-Installation

PLANNING INSTALLATION

Compare all parts in the package with the Package Contents list. Verify that all parts are included and that there is no damage. If any parts are missing or damaged, contact the Customer Service Team at 1-855-HD-HAMPTON or visit www.HamptonBay.com.

Choose an installation location where direct sunlight can be absorbed onto the face of the solar panel for as many hours as possible throughout the day. Shadows cast by homes, trees, and structures will restrict the charging of the batteries and affect the total hours of operation of the lights.

These lights can be installed onto a deck post, or simply placed on a flat surface such as a table. This manual details deck post installations. For placing on a flat surface such as a table, follow the Preparing the Solar light step in the installation section below.



NOTE: The batteries come pre-charged but some discharge may happen during storage or transit.

HOW SOLAR WORKS

During daylight hours, the sun will charge the batteries in the solar panel and the lights will turn on at dusk. Light output depends upon how much light the solar panel receives. Position the solar panel so that it receives maximum sunlight. If there are streetlights or other lighting that could shine directly into or near the solar panel, these lights may trigger the light sensor and the lights may turn off. The solar panel must sense darkness to operate.

TOOLS REQUIRED

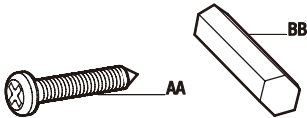


Power drill



Phillips screwdriver

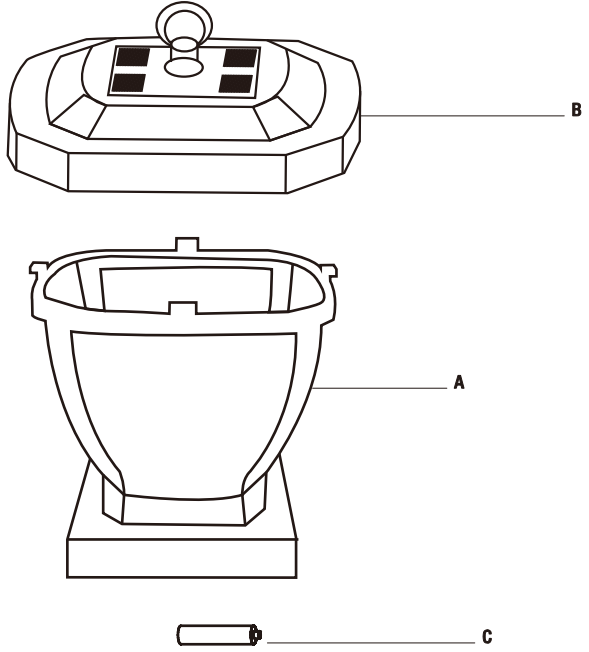
HARDWARE INCLUDED



Part	Description	Quantity
AA	ST4x20 mm screw	4
BB	Anchor	4

Pre-Installation (continued)

PACKAGE CONTENTS

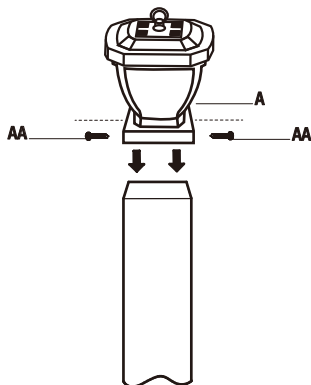


Part	Description	Quantity
A	Solar light	2
B	Cover	2
C	3.2V 450 mAh Lithium rechargeable battery (preinstalled)	2

Deck Post Installation

1 Installing the solar lights

- Position one of the solar lights (A) over a deck post.
- Attach the solar light (A) to the deck post by inserting screws (AA) through the holes in the bottom of the solar light (A) and into the deck post.
- Repeat these steps for the other solar light (A).



2 Preparing the solar lights

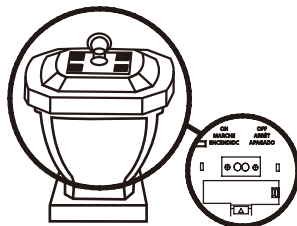


NOTE: To allow each battery to reach full capacity and perform correctly, pull out the plastic tab and place the solar light in full sunlight for the first 12 hours. Failure to do so can shorten the life of the battery or operation of the light. On cloudy or rainy days it may take several days for the batteries to fully charge.



NOTE: To protect the solar panel from damage, do not use force during assembly. Keep the plastic shades in the packaging until you need to install them.

- Remove the protective film from the solar panels located on top of the cover (B).
- Move the solar light (A) switches to the ON position.



Maintenance

REPLACING THE BATTERY



WARNING: Only use Lithium rechargeable batteries with these solar lights. Do not mix battery types.



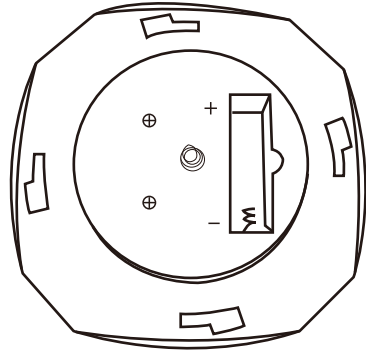
WARNING: Do not open, short circuit, or mutilate batteries as injury may occur. Batteries must be recycled or disposed of properly.



CAUTION: Do not use a smaller mAh battery as it will affect performance. Larger mAh batteries are acceptable. Ensure you have positioned the batteries with the correct polarity (+) and (-).



NOTE: Battery performance is affected by weather and temperature. Expect reduced performance in adverse conditions of cold, extreme cold, extreme heat plus humidity and dampness.



1. Twist off the cover (B) from the solar light (A), move the switch to the OFF position, and remove the battery covers from underneath the tops.
2. Remove the old batteries (C) and clean the battery contacts on the new batteries and the solar lights (A).
3. Replace with new 450 mAh Lithium batteries.
4. Replace the battery covers and move the switch back to the ON position.
5. Twist the covers (B) back onto the solar lights (A).

Care and Cleaning

- Do not use the solar lights in freezing conditions. Monitor weather and take the solar lights indoors for storage as needed. Keep snow or other buildup off the solar panels so that the batteries are able to recharge.
- Remove batteries from equipment that will not be used for an extended period of time.

Troubleshooting

Problem	Solution
The solar lights do not come on.	Check to ensure there are no obstructions over the top of the solar panel.
	Check to ensure that the batteries are installed correctly and there is nothing blocking the battery terminals from making contact.
	Check to ensure the solar panel is positioned to sense both daylight and night time. If bright lights shine near or into the solar panel, these lights may trigger the light sensor and the lights may turn off. Bright lights can act like daylight and keep the system from starting.
	Batteries may need to be changed and vary by use, temperature, weather conditions, and heat. Replace the batteries with the exact same type of rechargeable batteries.
	Ensure the batteries are fully charged. It is important to charge the batteries for 12 hours in full sunlight before use. Cloudy or rainy days may require a longer charging time.
	In some cases, you may have to open the battery compartment and position the batteries correctly between metal clips as some dislodging may occur during shipment. Also ensure the batteries are positioned with the correct polarity (+) and (-).
	Cloudy or rainy days generate far less charge on the solar panel and thus fewer hours of operation. Prolonged cloudy or rainy days can affect performance dramatically.



Questions, problems, missing parts? Before returning to the store,
call Hampton Bay Customer Service
8 a.m. - 7p.m., EST, Monday - Friday, 9 a.m. - 6 p.m., EST, Saturday

1-855-HD-HAMPTON

HAMPTONBAY.COM

Retain this manual for future use.