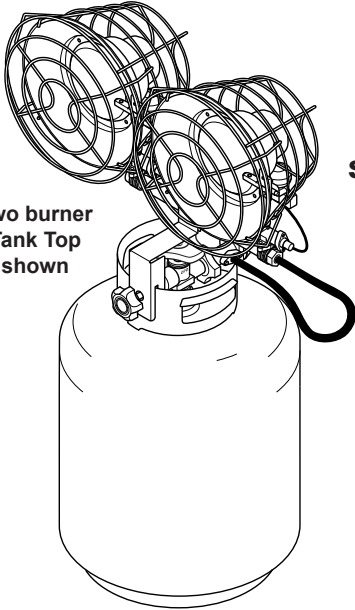




**FACTORY  
BUYS  
DIRECT.COM**



Two burner  
Tank Top  
shown

**INFRA-RED TANK TOP HEATER  
OWNER'S MANUAL**  
**SINGLE BURNER MODEL FBDTP15**  
**10,000-15,000 BTU**  
**DUAL BURNER MODEL FBDTP30**  
**10,000-30,000 BTU**



### FOR YOUR SAFETY

If you smell gas:

1. Shut off gas to appliance.
2. Extinguish any open flame.

Do not store or use gasoline or other flammable vapors and liquids in the vicinity of this or any other appliance.

**⚠ DANGER**



### CARBON MONOXIDE HAZARD

This appliance can produce carbon monoxide which has no odor.

Using it in an enclosed space can kill you.

Never use this appliance in an enclosed space such as a camper, tent, car, or home.



Questions, problems, missing parts? Before returning to your retailer, call our customer service department at 1-855-607-6557, 8:00 am - 4:30 pm EST, Monday through Friday or email [info@factorybuysdirect.com](mailto:info@factorybuysdirect.com)

---

---

## TABLE OF CONTENTS

---

---

Specifications .....	2	Servicing.....	6
Safety .....	3	Replacement Parts.....	7
Assembly.....	4	Technical Service.....	7
Operation.....	5	Parts .....	8
Maintenance and Storage .....	6	Warranty .....	10

**IMPORTANT: Read and understand this manual before assembling, starting or servicing heater. Improper use of heater can cause serious injury. Keep this manual for future reference.**

**⚠ GENERAL HAZARD WARNING:**

Failure to comply with the precautions and instructions provided with this heater, can result in death, serious bodily injury and property loss or damage from hazards of fire, explosion, burn, asphyxiation, carbon monoxide poisoning, and/or electrical shock.

Only persons who can understand and follow the instructions should use or service this heater.

If you need assistance or heater information such as an instructions manual, labels, etc. contact the manufacturer.

**⚠ WARNING: Fire, burn, inhalation, and explosion hazard. Keep solid combustibles, such as building materials, paper or cardboard, a safe distance away from the heater as recommended by the instructions. Never use the heater in spaces which do or may contain volatile or airborne combustibles, or products such as gasoline, solvents, paint thinner, dust particles or unknown chemicals.**

## SPECIFICATIONS

	FBDTP15	FBDTP30
Rating	10,000 - 15,000 Btu/hr (3.0 - 4.4 kW)	10,000 - 30,000 Btu/hr (3.0 - 8.8 kW)
Type of Gas	Propane/LP Only	
Ignition	Match Light	
Gas Supply Pressure to regulator	Max - Tank Pressure	
	Min - 20 psi (1.37 bar)	
Manifold Pressure	9 - 17 psi (0.62 bar - 1.17 bar)	
Minimum Ambient Temperature Rating	0° F (-17.8° C)	
Fuel Consumption per 20 lb. Cylinder	36 Hours	18 Hours

## SAFETY

**⚠ WARNING: This product contains and/or generates chemicals known to the State of California to cause cancer or birth defects, or other reproductive harm.**

**⚠ WARNING: Not for home or recreational vehicle use.**

The heater is designed and approved for use as a construction heater in accordance with *Standard ANSI Z83.7 • CSA 2.14*. Check with your local fire safety authority if you have questions about applications.

Other standards govern the use of fuel gases and heat producing products in specific applications. Your local authority can advise you about these.

The intended use of this heater is the temporary heating of buildings or structures under construction, alteration or repair.

### ASPHYXIATION HAZARD

- **Do not use this heater for heating human living quarters.**
- **Do not use in unventilated areas.**
- **The flow of combustion and ventilation air must not be obstructed.**
- **Proper ventilation air must be provided to support the combustion air requirements of the heater being used.**

- **Refer to the specification section of the heater's manual, heater data plate, or contact ProCom Heating, Inc. to determine combustion air ventilation requirements of the heater.**

- **Lack of proper ventilation air will lead to improper combustion.**

- **Improper combustion can lead to carbon monoxide poisoning leading to serious injury or death. Symptom of carbon monoxide poisoning can include headaches dizziness and difficulty in breathing.**

1. Keep children and animals away from heater.
2. Never operate heater while sleeping or unattended.
3. Check the heater thoroughly for damage. Do not operate a damaged heater.
4. Do not modify the heater or operate a heater which has been modified from its original condition.
5. Use only propane/LP gas.
6. Use only vapor withdrawal propane/LP supply. If there is any question about vapor withdrawal, ask your propane/LP dealer.
7. For indoor use only. Adequate ventilation must be provided. Provide minimum openings of 1 sq ft (0.093 m<sup>2</sup>) near the floor and 1 sq ft. (0.093 m<sup>2</sup>) near the ceiling. Do not use inside house, camper, tent, vehicle, or any type of unvented or enclosed area.

---

---

## SAFETY

---

---

8. Do not use heater in basement or below ground level.
9. Before connecting heater to the propane/LP tank, make sure the heater regulator knob is in the OFF position. Always connect and light heater in areas free of open flames.
10. Mount the propane/LP cylinders vertically (shutoff valve up). Secure them from falling or being knocked over and protect them from damage.
11. **IMPORTANT:** Use only hose and regulator assembly provided with the dual burner tank top heater. Inspect hose assembly before each use. If there is excessive abrasion or wear, or hose is cut, replace with hose assembly listed on parts list before using heater. Hose and regulator must be protected from damage.
12. The heater burner must be at least 2 ft. (0.61 m) above the floor. Always attach to propane/LP tank in an upright position. Never operate a heater on its side or attach to propane/LP tank in a horizontal position. This could lead to dangerous flare-ups or fire. Do not direct heat toward propane/LP cylinders within 20 ft (6 m).
13. Maintain minimum clearance from normal combustible materials (like paper) as follows:

Sides and Top	3 ft. (0.91 m)
Front	6 ft. (1.8 m)
Floor to Bottom of Burner	2 ft. (0.6 m)
14. The appliance area be kept clear and free from combustible materials, gasoline and other flammable vapors and liquids.
15. If at any time gas odor is detected, IMMEDIATELY DISCONTINUE operation until the source of gas has been located and corrected.
16. Install the heater such that it is not directly exposed to water spray, rain, dripping water and/or wind.
17. Position heater properly before use. Operate only on a stable, level surface.
18. Due to the high surface and exhaust temperatures, adults and children must observe clearances to avoid burns or clothing ignition.
19. Do not move, handle or service while hot or burning. Do not attach or remove a hot or operating heater from the propane/LP tank.
20. Before each use, check heater for leaks. Never use an open flame to check for leaks. Apply a mixture of liquid soap and water to all joints. Bubbles forming show a leak. Correct all leaks.
21. Keep all connections and fittings clean. Make sure propane/LP tank valve is clean. Check "O" ring on heater inlet fuel valve connector for damage before each use. Replace if worn or damaged.
22. Use only in accordance with local codes or, in the absence of local codes, with the *Standard for the Storage and Handling of Liquefied Petroleum Gases ANSI/NFPA 58 and CSA B149.1, Natural Gas and Propane Installation Code.*

Locate 10 ft. (3 m) from canvas or plastic tarpaulins or similar coverings and secure them to prevent flapping or movement due to wind action.

---

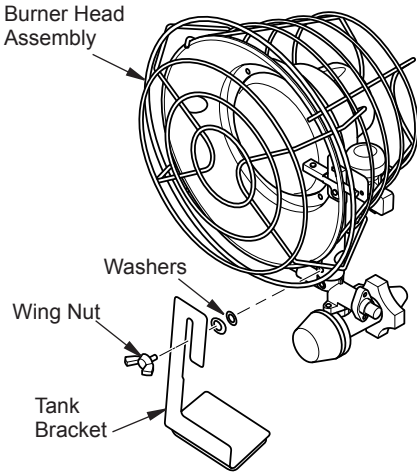
---

## ASSEMBLY

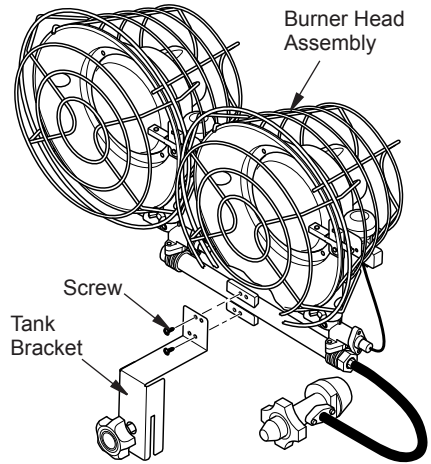
---

---

1. Inspect heater components for possible shipping damage. If any is found, immediately notify dealer. Check to make sure that all components are included with your heater (see pages 8 and 9).
2. **For 15,000 BTU Models** Remove wing nut attaching regulator assembly to the burner. Use wing nut and washers to attach tank bracket to the burner assembly as shown in Figure 1.
3. **For 30,000 BTU Models** Using 2 screws from hardware package, attach tank bracket to the burner assembly as shown in Figure 2.



**Figure 1 - Attaching Single Burner Assembly to Tank Bracket**



**Figure 2 - Attaching Double Burner Assembly to Tank Bracket**

---

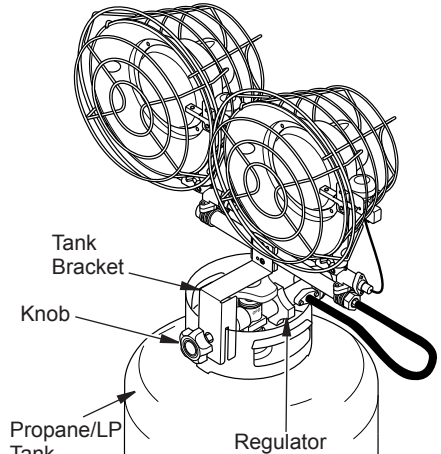
---

## OPERATION

---

---

1. Check heater for damage. If heater is damaged, promptly inform dealer where you bought heater.
2. Follow all of the safety and operating precautions.
3. Check the "O" ring on the POL before each use. Replace "O" ring if there is any sign of wear or damage.
4. Make sure heater regulator knob is in the OFF position.
5. **30,000 Btu Models Only** Attach the heater to the guard on the propane/LP cylinder as shown in Figure 3. Tighten knob on tank bracket to secure heater.
6. **For All Models** Connect regulator to propane/LP cylinder by rotating nut counter clockwise into the propane/LP cylinder valve outlet and securely tighten with a wrench.



**Figure 3 - Attaching Heater to Propane/LP Tank**

## OPERATION

**⚠ WARNING: Attach heater in upright position. Never attach heater in a horizontal position. This could lead to dangerous flare-ups or fire.**

For use with 20, 40, 60 or 100 lb. propane cylinder (bottle).

- Securely tighten all gas connections.
- Open the cylinder's gas valve and check all connections for leaks. Apply a non-corrosive leak detection fluid to gas joints. Bubbles forming show a leak that must be corrected. **DO NOT USE A FLAME.**

### TO START HEATER

**⚠ WARNING: When lighting the heater DO NOT look over top of heater (reflector). Stand to the side of the heater during ignition. Do not stand or have any part of your body in front of the heater.**

**⚠ WARNING: MAKE SURE THERE IS NO OPEN FLAME IN THE AREA. Fully open the valve on the propane/LP cylinder.**

Read all lighting instructions before attempting to ignite heater.

- Turn the heater regulator knob counter-clockwise to the HI position.
- Place a lit match near the face of the heating element (mesh screen) of the burner you are lighting, using the hole located on the side of the reflector. See Figure 4.

**⚠ CAUTION: Do not light at the orifice.**

- Press button on safety valve admitting gas to burner (see Figure 4).

**⚠ WARNING: Do not press valve button before inserting match.**

- When the gas on the face of mesh screen lights, continue to hold valve button pressed for 30 seconds, then release.
- If flame goes out, wait 5 minutes and repeat lighting procedure.

- If heater will not light after repeated tries, do not attempt to repair heater. Call Customer Service toll free at 1-866-573-0674.
- For dual burner models, repeat steps 1 through 4 to ignite the other burner.
- After both burners or single burner, are lit, turn heater regulator knob to the desired heat setting (LOW, MED, HI).

### 6 heat setting combinations:

Burner #1	Burner #2
LOW	OFF
MED	OFF
HI	OFF
LOW	LOW
MED	MED
HI	HI

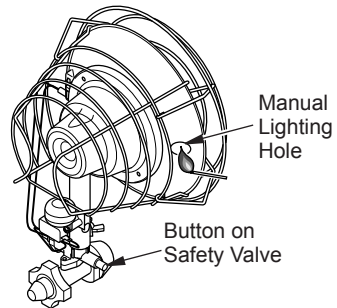


Figure 4 - Lighting Heater With a Match

### TO STOP HEATER

- Securely close valve on propane/LP cylinder.
- Turn heater regulator knob to the OFF position. Wait 15 minutes for heater to cool down before handling heater.
- Always remove heater from propane/LP tank after each use. Do not store heater while attached to propane/LP tank. Remove heater from propane/LP tank by turning fuel connector nut clockwise. Always store propane/LP tank outdoors. Never store propane/LP tank in an enclosed area.

### TO RESTART HEATER

- Securely close valve on propane/LP cylinder.
- Wait 5 minutes.
- Restart following To Start Heater procedure, page 5.

---

---

## MAINTENANCE AND STORAGE

---

---

1. Inspect heater before each use. Check connections for leaks. Apply a noncorrosive leak detection fluid to connections. Bubbles forming show a leak that must be corrected. Correct all leaks at once. Have heater inspected at least annually by a qualified service person.
2. Before each use, check the soft "O" ring seat at the bullnose of the POL fitting. If "O" ring is cut, scuffed, or otherwise damaged, replace it.
3. Inspect hose/regulator assembly before each use. If hose is highly worn or cut, replace. Use only a replacement hose specified on page 9.
4. Turn off gas at propane/LP gas supply cylinder when heater is not in use.
5. When heater is to be stored, connection between propane/LP gas supply cylinder and heater must be disconnected and cylinder removed from heater and stored out of doors and in accordance with Chapter 5 of the standard for *Storage and Handling of Liquefied Petroleum Gases ANSI/NFPA 58*.
6. Use compressed air to gently blow out any dirt or debris from burner tube.

---

---

## SERVICING

---

---

A hazardous condition may result if a heater is used that has been modified or is not functioning properly. When the heater is working properly:

- Emitter screen is glowing bright orange-red.
- There are no flames above burner.
- Flame is burning on surface of screen and not inside burner (flashback).
- There is no strong disagreeable odor, eye burning or other physical discomfort.
- There is no smoke or soot internal or external to heater.
- There are no unplanned or unexplained shut downs of heater.

The parts lists and exploded view show heater as it was constructed. Do not use a heater which is different from that shown. In this regard, use only the hose, regulator and cylinder connection fitting (called a POL fitting) supplied with heater.

**IMPORTANT:** For this heater, regulator must be set as shown in *Specifications*, page 3. If there is any uncertainty about regulator setting, have it checked.

---

---

## REPLACEMENT PARTS

---

---

*Note: Use only original replacement parts. This will protect your warranty coverage for parts replaced under warranty.*

### PARTS UNDER WARRANTY

Contact authorized dealers of this product. If they can't supply original replacement parts, call Customer Service toll free at 1-855-607-6557 for referral information.

When calling Customer Service or your dealer, have ready:

- Your name
- Your address
- Model and serial number of your heater
- How heater was malfunctioning
- Type of gas supply and Propane/LP tank size
- Purchase date

Usually, we will ask you to return the defective part to the factory

### PARTS NOT UNDER WARRANTY

Contact authorized dealers of this product. If they can't supply original replacement part(s) call Customer Service toll free at 1-855-607-6557 for referral information.

When calling Customer Service have ready:

- Model number of your heater
- The replacement part number

---

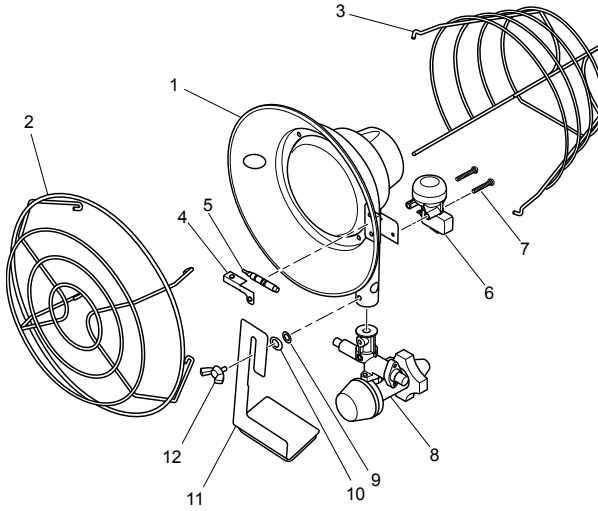
---

## PARTS

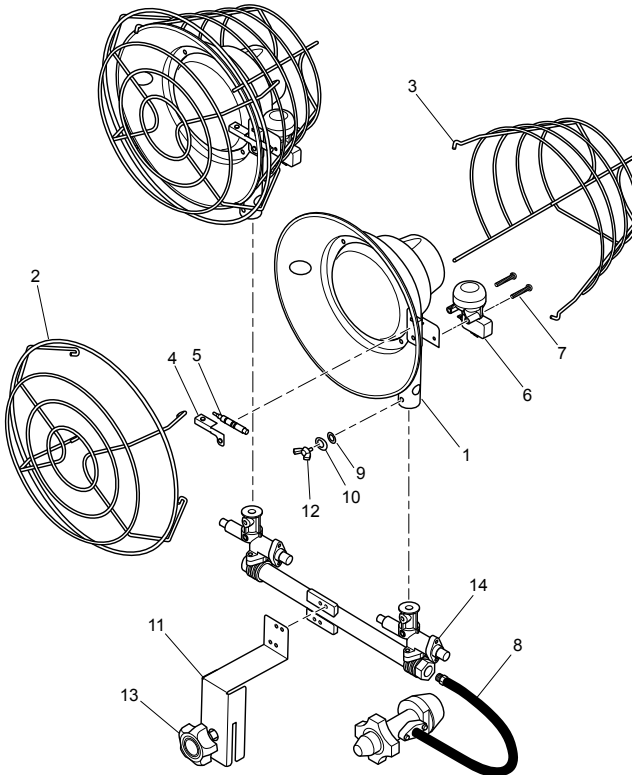
---

---

### MODEL FBFTP15



### MODEL FBFTP30





---



---

## PARTS

---



---

### MODELS FBDTP15 AND FBDTP30

This list contains replaceable parts used in your heater. When ordering parts, follow the instructions listed under Replacement Parts on page 7 of this manual.

ITEM	FBDTP15	FBDTP30	DESCRIPTION	QTY
1	160210-01	160210-01	Burner Head Assembly	1-2
2	160211-01	160211-01	Front Guard	1-2
3	160212-01	160212-01	Rear Guard	1-2
4	160225-01	160225-01	Thermocouple Shield	1
5	160224-01	160224-01	Thermocouple	1
6	160217-01	160217-01	Tip Switch	1-2
7	160218-01	160218-01	Tip Switch Screw	2-4
8	160215-01	-----	Regulator/Injector Assembly	1
	-----	160244-01	Regulator/Hose Assembly	1
9	160241-01	160241-01	Flat Washer	1-2
10	160240-01	160240-01	Curved Washer	1-2
11	160216-01	160237-01	Tank Bracket	1
12	160213-01	160213-01	Wing Nut	1
13	-----	160238-01	Knob	1
14	-----	160243-01	Valve/Tube Assembly	1
<b>PARTS AVAILABLE - NOT SHOWN</b>				
	160234-05	-----	Instruction Hang Tag (Eng/French)	1
	-----	160234-07	Instruction Hang Tag (Eng/French)	1
	160234-06	-----	Instruction Hang Tag (Spanish)	1
	-----	160234-08	Instruction Hang Tag (Spanish)	1
		160239-01	Hardware Package	1

---



---

## TECHNICAL SERVICE

---



---

You may have further questions about installation, operation, or troubleshooting. If so, contact Factory Buys Direct at 1-855-607-6557.

When calling, please have your model and serial numbers of your heater ready.

---

---

## WARRANTY

---

---

### KEEP THIS WARRANTY

Model \_\_\_\_\_

Serial No. \_\_\_\_\_

Date Purchased \_\_\_\_\_

Keep receipt for warranty verification.

**REGISTER YOUR PRODUCT AT [WWW.FACTORYBUYSDIRECT.COM](http://WWW.FACTORYBUYSDIRECT.COM)**

### FACTORY BUYS DIRECT LIMITED WARRANTIES

#### New Products – Outdoor Heating

**Standard Warranty:** Factory Buys Direct warrants this new product and any parts thereof to be free from defects in material and workmanship for a period of one (1) year from the date of first purchase from an authorized dealer provided the product has been installed, maintained and operated in accordance with Factory Buys Direct's warnings and instructions.

For products purchased for commercial, industrial or rental usage, this warranty is limited to 90 days from the date of first purchase.

#### Factory Reconditioned Products

**Limited Warranty:** Factory Buys Direct warrants factory reconditioned products and any parts thereof to be free from defects in material and workmanship for a period 30 days from the date of first purchase from an authorized dealer provided the product has been installed, maintained and operated in accordance with Factory Buys Direct's warnings and instructions. No return will be authorized. Parts will be provided to repair the product.

#### Terms Common to All Warranties

The following terms apply to all of the above warranties:

Always specify model number and serial number when contacting the manufacturer. To make a claim under this warranty, the bill of sale or other proof of purchase must be presented.

This warranty is extended only to the original retail purchaser when purchased from an authorized dealer, and only when installed by a qualified installer in accordance with all local codes and instructions furnished with this product.

This warranty covers the cost of part(s) required to restore this product to proper operating condition and an allowance for labor when provided by a Factory Buys Direct Authorized Service Center or a provider approved by Factory Buys Direct. Warranty parts must be obtained through authorized dealers of this product and/or Factory Buys Direct who will provide original factory replacement parts. Failure to use original factory replacement parts will void this warranty.

Traveling, handling, transportation, diagnostic, material, labor and incidental costs associated with warranty repairs, unless expressly covered by this warranty, are not reimbursable under this warranty and are the responsibility of the owner.

Excluded from this warranty are products or parts that fail or become damaged due to misuse, accidents, improper installation, lack of proper maintenance, tampering or alteration(s).

This is Factory Buys Direct's exclusive warranty, and to the full extent allowed by law; this express warranty excludes any and all other warranties, express or implied, written or verbal and limits the duration of any and all implied warranties, including warranties of merchantability and fitness for a particular purpose to one (1) year on new products and 30 days on factory reconditioned products from the date of first purchase.

Factory Buys Direct makes no other warranties regarding this product.

Factory Buys Direct's liability is limited to the purchase price of the product and Factory Buys Direct shall not be liable for any other damages whatsoever under any circumstances including direct, indirect, incidental, or consequential damages.

Some states do not allow limitations on how long an implied warranty lasts or the exclusion or limitation of incidental or consequential damages, so the above limitation or exclusion may not apply to you.

This warranty gives you specific legal rights, and you may also have other rights which vary from state to state.



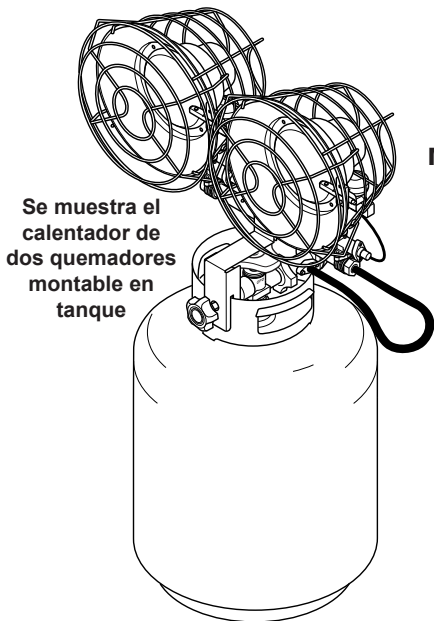
**FACTORY  
BUYS  
DIRECT.COM**

Factory Buys Direct  
500 Brown Industrial Parkway  
Canton, GA 30114  
1-855-607-6557

160946-01  
Rev. A  
11/14



**FACTORY  
BUYS  
DIRECT.COM**



Se muestra el calentador de dos quemadores montable en tanque

**CALENTADOR INFRARROJO  
MONTABLE EN TANQUE  
MANUAL DEL PROPIETARIO  
MODELO FBDTP15 CON UN SOLO  
QUEMADOR  
10,000-15,000 BTU  
MODELO FBDTP30 CON DOBLE  
QUEMADOR  
10,000-30,000 BTU**



### PARA SU SEGURIDAD

Si percibe olor a gas:

1. Cierre el suministro de gas al aparato.
2. Extinga las llamas al descubierto.

No guarde ni utilice gasolina u otros vapores y líquidos inflamables cerca de este aparato ni de cualquier otro.

**⚠ PELIGRO**



### PELIGRO DE MONÓXIDO DE CARBONO

Este aparato puede producir monóxido de carbono que no tiene olor.

Su uso en un espacio cerrado puede matarlo. Nunca utilice este aparato en un espacio cerrado tal como una casa rodante, una tienda de campaña, un automóvil o una casa.



**Preguntas, problemas, piezas faltantes?** Antes de volver a la tienda, llame a nuestro departamento de servicio al cliente al 1-855-607-6557, de 8:00 am - 4:30 pm hora estándar del este, de lunes a viernes, o por correo electrónico [info@factorybuysdirect.com](mailto:info@factorybuysdirect.com).

## TABLA DE CONTENIDOS

Especificaciones.....	13	Reparaciones .....	17
Seguridad .....	13	Piezas de repuesto.....	20
Ensamblaje.....	15	Servicio técnico .....	20
Funcionamiento.....	15	Garantía.....	22
Mantenimiento y almacenamiento.....	17		

**IMPORTANTE:** Lea y comprenda este manual antes de ensamblar, encender o dar servicio al calentador. El uso inadecuado del calentador puede causar lesiones graves. Conserve este manual para referencias futuras.

### **⚠ ADVERTENCIA GENERAL DE PELIGRO:**

No cumplir con las precauciones e instrucciones proporcionadas con este calentador puede causar la muerte, lesiones físicas graves y pérdidas o daños a la propiedad debido al peligro de incendio, explosión, quemaduras, asfixia, intoxicación con monóxido de carbono y/o choques eléctricos.

Únicamente las personas que puedan entender y seguir las instrucciones deberán usar o dar servicio a este calentador.

Si necesita ayuda o información sobre el calentador, como manuales de instrucciones, etiquetas, etc., comuníquese con el fabricante.

**⚠ ADVERTENCIA:** Peligro de incendio, quemaduras, inhalación y explosión. Mantenga los combustibles sólidos, como materiales de construcción, papel o cartón a una distancia segura del calentador según se recomienda en las instrucciones. Nunca use el calentador en espacios que contengan o podrían contener combustibles volátiles o transportados por aire o productos como gasolina, solventes, diluyente de pintura, partículas de polvo o químicos desconocidos.

## ESPECIFICACIONES

	FBDTP15	FBDTP30
Clasificación	10,000 - 15,000 Btu/h (3.0 - 4.4 kW)	10,000 - 30,000 Btu/h (3.0 - 8.8 kW)
Tipo de gas	Sólo propano o gas LP	
Encendido	Con fósforo	
Presión del suministro de gas al regulador	Máx - presión del tanque	
	Mín - 20 psi (1.37 bar)	
Presión del tubo múltiple	9 a 17 PSI (0.62 bar a 1.17 bar)	
Clasificación de temperatura ambiente mínima	-17.8° C (0° F)	
Consumo de combustible por cilindro de 9.07 kg (20 lb)	36 horas	18 horas

## SEGURIDAD

**⚠️ ADVERTENCIA:** Este producto contiene y/o genera químicos que el Estado de California reconoce que causan cáncer, defectos de nacimiento u otros daños relacionados con la reproducción.

**⚠️ ADVERTENCIA:** No usar en residencias ni en vehículos recreativos.

El calentador está diseñado y aprobado para su uso como un calentador de construcción de acuerdo con la *Norma ANSI Z83.7 • CSA 2.14*. Consulte con su autoridad local de seguridad contra incendios si tiene preguntas acerca de las aplicaciones.

Otras normas regulan el uso de combustibles y de productos que producen calor en aplicaciones específicas. Su autoridad local le podrá asesorar acerca de estos.

El uso previsto de este calentador es el calentamiento temporal de edificios o estructuras en construcción, alteración o reparación.

### PELIGRO DE ASFIXIA

- **No utilice este calentador para la calefacción de lugares de alojamiento humano.**
- **No lo utilice en áreas sin ventilación.**
- **No se debe obstruir el flujo de aire para combustión y ventilación.**

- **Se debe procurar el aire necesario para ventilación a fin de que se cumplan los requisitos de aire para combustión del calentador que se está usando.**
  - **Consulte la sección de especificaciones del manual del calentador, la placa de datos del mismo o comuníquese con ProCom Heating, Inc. para determinar los requisitos de ventilación de aire para combustión del calentador.**
  - **La falta de aire para una ventilación adecuada producirá una combustión incorrecta.**
  - **La combustión incorrecta puede generar intoxicaciones por monóxido de carbono que pueden resultar en lesiones graves o en la muerte. Los síntomas de la intoxicación con monóxido de carbono pueden incluir dolores de cabeza, mareos y dificultad para respirar.**
1. Evite que los niños y los animales se acerquen al calentador.
  2. Nunca deje funcionando el calentador desatendido o mientras duerme.
  3. Revise el calentador completamente para ver si presenta daños. No haga funcionar un calentador dañado.
  4. No modifique el calentador ni haga funcionar un calentador que ha sido sometido a modificaciones de su condición original.
  5. Utilice únicamente gas propano/LP.
  6. Utilice únicamente suministros de propano o gas LP con extracción de vapores. Si tiene alguna pregunta acerca de la extracción de vapores, pregunte al distribuidor de propano o gas LP.

## SEGURIDAD

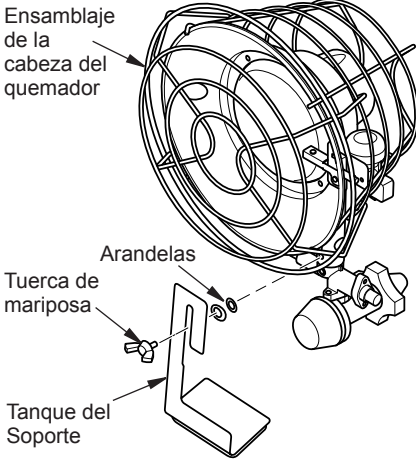
7. Para uso en interiores solamente. Se debe proporcionar una ventilación adecuada. Procure por lo menos aberturas de 0.093 m<sup>2</sup> (1 pie<sup>2</sup>) cerca del piso y de 0.093 m<sup>2</sup> (1 pie<sup>2</sup>) cerca del techo. No lo utilice dentro de una casa, casa rodante, tienda de campaña, vehículo, ni de cualquier tipo de área cerrada sin ventilación.
8. No use el calentador en un sótano ni debajo del nivel del suelo.
9. Antes de conectar el calentador al tanque de propano o gas LP, asegúrese de que la perilla del regulador del calentador esté en la posición de "APAGADO". Siempre conecte y encienda el calentador en áreas donde no haya llamas al descubierto.
10. Coloque los cilindros de propano o gas LP de forma vertical (con la válvula de cierre hacia arriba). Asegúrelos para que no se caigan ni los puedan volcar y protéjalos de daños.
11. **IMPORTANTE:** Utilice únicamente el ensamblaje de manguera y regulador que se incluye con el calentador de dos quemadores montable en tanque. Inspeccione el ensamblaje de la manguera antes de cada uso. Si hay rozaduras o desgaste excesivos, o si la manguera tiene cortaduras, reemplácela con el ensamblaje de manguera que aparece en la lista de piezas antes de usar el calentador. La manguera y el regulador deben estar protegidos contra daños.
12. El quemador del calentador debe quedar al menos a 61 cm (2 pies) por encima del piso. Siempre conéctelo al tanque de propano o gas LP en posición vertical. Nunca haga funcionar el calentador colocado sobre uno de sus lados ni lo conecte al tanque de propano o gas LP en posición horizontal. Esto puede producir llamaradas peligrosas o incendios. No dirija el calor hacia los cilindros de gas propano/LP a menos de 20 pies (6 m).
13. Mantenga las distancias mínimas con respecto a los materiales comunes combustibles (como el papel) como se indica a continuación:

Laterales y partes superior	1 m (3 pies)
Frente	1.8 m (6 pies)
Piso a la parte inferior de el quemador	2 pies (0.6 m)

- Sitúe el aparato a 3 m (10 pies) de lonas, toldos o cubiertas similares y asegure éstas para evitar que se sacudan o se muevan con la acción del viento.
14. Mantenga el área limpia y libre de materiales combustibles, gasolina y otros vapores y líquidos inflamables.
15. Si en cualquier momento percibe olor a gas, **DETENGA INMEDIATAMENTE** el funcionamiento del aparato hasta que la fuente de donde proviene el gas haya sido localizada y reparada.
16. Instale el calentador de manera que no esté expuesto a rocío de agua, lluvia, goteras o viento.
17. Posición el calentador correctamente antes de usar. Hágalo funcionar únicamente sobre una superficie estable y nivelada.
18. Los adultos y los niños deben respetar las distancias mínimas para evitar quemaduras y que la ropa se encienda, pues la superficie y los conductos de salida alcanzan temperaturas elevadas.
19. No lo mueva, manipule ni repare mientras está caliente o encendido. No instale ni retire un calentador del tanque de propano o gas LP mientras está caliente o en operación.
20. Antes de cada uso, verifique si el calentador tiene alguna fuga. Nunca use una llama al descubierto para buscar fugas. Aplique una mezcla de jabón líquido y agua en todas las uniones. La formación de burbujas indicará una fuga. Repare todas las fugas.
21. Mantenga limpias todas las conexiones y los nipples. Asegúrese de que la válvula del tanque de propano o gas LP esté limpia. Antes de cada uso, verifique si la junta tórica de hule del conector de la válvula de combustible de entrada del calentador ha sufrido algún daño. Reemplácelo si está gastado o dañado.
22. Utilícelo sólo según los códigos locales o, a falta de éstos, de acuerdo a la *Norma para almacenamiento y manejo de gases licuados de petróleo ANSI/NFPA 58 y la norma CSA B149.1, Código de instalación de gas natural y propano.*

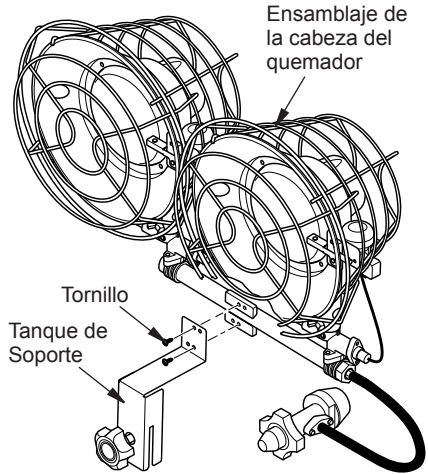
## ENSAMBLAJE

1. Inspeccione los componentes del calentador para encontrar daños que pueda haber sufrido durante el transporte. Si se encuentra algún daño, informe inmediatamente al distribuidor. Revíselo para asegurarse que todos los componentes estén incluidos con el calentador (consulte las páginas 10 y 11).
2. **Modelos de 15,000 BTU** Quite la tuerca de mariposa para conectar el regulador al



**Figura 1 - Colocación de unidad del quemador individual para el soporte del tanque**

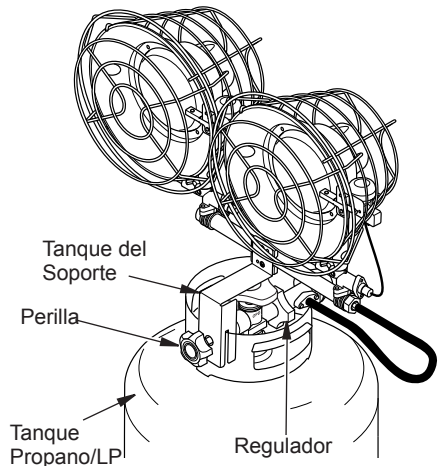
- quemador. Utilice la tuerca de mariposa y las arandelas para fijar el soporte del tanque a la unidad del quemador, como se muestra en la figura 1.
3. **Modelos de 30,000 BTU** Uso de 2 tornillos de paquete de hardware, instale el soporte del tanque a la unidad del quemador, como se muestra en la Figura 2.



**Figura 2 - Colocación de unidad del quemador doble para soporte del tanque**

## FUNCIONAMIENTO

1. Revise el calentador en busca de daños. Si el calentador está dañado, informe de inmediato al distribuidor a quien lo compró.
2. Siga todas las precauciones de seguridad y operación.
3. Revise la junta tórica en la rosca invertida antes de cada uso. Reemplace la junta tórica si presenta señales de desgaste o daños.
4. Asegúrese de que la perilla del regulador del calentador esté en la posición de "APAGADO".
5. **Sólo en los modelos de 30,000 BTU** Fije el calentador al resguardo del cilindro de propano o gas LP como se muestra en la figura 3. Apriete la perilla en el soporte del tanque para asegurar el calentador.



**Figura 3 - Colocación calentador el tanque de gas Propano/LP**

## FUNCIONAMIENTO

6. **Para todos los modelos** Conecte el regulador al cilindro de propano o gas LP girando la tuerca en sentido de las manecillas del reloj hacia el interior de la salida de la válvula del cilindro de propano o gas LP y apriétela firmemente con una llave.

**⚠ ADVERTENCIA: Instale el calentador en posición vertical. Nunca instale el calentador en posición horizontal. Esto puede producir llamaradas peligrosas o incendios.**

Para el uso con 20, 40, 60 o 100 lb cilindro de propano (botella).

7. Apriete firmemente todas las conexiones de gas.
8. Abra la válvula de gas del cilindro y revise todas las conexiones en busca de fugas. Aplique líquido no corrosivo para detectar fugas en todas las uniones de gas. La formación de burbujas indica una fuga que se debe corregir. NO USE UNA LLAMA.

### PARA ENCENDER EL CALENTADOR

**⚠ ADVERTENCIA: Cuando encienda el calentador NO lo vea desde la parte superior del mismo (el reflector). Manténgase a un lado del calentador durante el encendido. No se coloque ni ponga ninguna parte de su cuerpo frente al calentador.**

**⚠ ADVERTENCIA: ASEGÚRESE DE QUE NO HAYA LLAMAS AL DESCUBIERTO EN EL ÁREA. Abra completamente la válvula del cilindro de propano o gas LP.**

Lea todas las instrucciones de encendido antes de tratar de encender el calentador.

1. Gire la perilla del regulador del calentador en sentido contrario al de las manecillas del reloj a la posición de "ALTO".
2. Coloque un fósforo encendido a la carátula del elemento de calefacción (rejilla de alambre) del calentador que está encendiendo, a través del orificio ubicado en la parte lateral del reflector. Consulte la figura 4.

**⚠ PRECAUCIÓN: No lo encienda desde el orificio.**

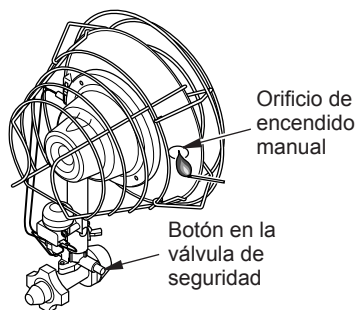
3. Oprima el botón en la válvula de seguridad para que se permita la entrada de gas al quemador (consulte la figura 4).

**⚠ ADVERTENCIA: No oprima el botón de la válvula antes de introducir un fósforo.**

4. Cuando se encienda el gas en la rejilla de alambre, mantenga presionado el botón de la válvula durante 30 segundos y luego suéltelo.
5. Si la llama se apaga, espere 5 minutos y repita el procedimiento de encendido.
6. Si el calentador no enciende después de varios intentos, no intente reparar el calentador. Llame gratis al Departamento de Servicio al Cliente al 1-866-573-0674.
7. Para los modelos de dos quemadores, repita los pasos 1 a 4 para encender el otro quemador.
8. Una vez que ambos quemadores o que un quemador estén encendidos, gire la perilla del regulador del calentador a la configuración de calor deseada (BAJO, MEDIO, ALTO).

#### 6 combinaciones de intensidad de calor:

Quemador n° 1	Quemador n° 2
BAJO	APAGADO
MED	APAGADO
ALTO	APAGADO
BAJO	BAJO
MED	MED
ALTO	ALTO



**Figura 4 - Encendido del calentador con un fósforo**



---

---

## FUNCIONAMIENTO

---

---

### PARA APAGAR EL CALENTADOR

1. Cierre firmemente la válvula del cilindro de propano o gas LP.
2. Gire la perilla del regulador del calentador hacia la posición de "APAGADO". Espere 15 minutos a que se enfríe el calentador antes de manipularlo.
3. Siempre desmonte el calentador del tanque de propano o gas LP después de cada uso. No guarde el calentador mientras está instalado en el tanque de propano o gas LP. Retire el calentador del tanque de propano o gas LP girando la tuerca del

conector de combustible en el sentido de las manecillas del reloj. Siempre guarde los tanques de propano o gas LP en el exterior. Nunca guarde el tanque de propano o gas LP en un área cerrada.

### PARA VOLVER A ENCENDER EL CALENTADOR

1. Cierre firmemente la válvula del cilindro de propano o gas LP.
2. Espere 5 minutos.
3. Vuelva a encender siguiendo el procedimiento *Para encender el calentador* de la página 16.

---

---

## MANTENIMIENTO Y ALMACENAMIENTO

---

---

1. Inspeccione al calentador antes de cada uso. Revise las conexiones en busca de fugas. Aplique líquido no corrosivo para detectar fugas en todas las uniones de gas. La formación de burbujas indica una fuga que se debe corregir. Repare todas las fugas inmediatamente. Haga que una persona capacitada de servicio inspeccione el calentador al menos una vez cada año.
2. Antes de cada uso, verifique el apoyo de la junta tórica en la esquina redondeada del niple de rosca invertida. Si la junta tórica presenta cortaduras, rasguños u otro tipo de daño, reemplácela.
3. Inspeccione el ensamblaje de manguera-regulador antes de cada uso. Si la man-

guera está muy desgastada o con roturas, reemplácela. Use solamente una manguera de repuesto especificados en la página 9.

4. Cierre el gas en el cilindro de suministro propano o gas LP cuando el calentador no esté en uso.
5. Cuando el calentador se va a guardar, se debe desconectar la conexión entre el cilindro de suministro de gas propano o LP y el calentador, y el cilindro se debe retirar del calentador y guardarse en el exterior, según lo estipulado en el capítulo 5 de la *Norma de almacenamiento y manejo de gas licuado de petróleo ANSI/NFPA 58*.
6. Utilice aire comprimido para soplar suavemente cualquier suciedad o restos de tubo del quemador.

---

---

## REPARACIONES

---

---

Si se utiliza un calentador que ha sido modificado o que no funciona correctamente, se puede generar una condición de peligro. Cuando el calentador funciona correctamente:

- La rejilla emisora brilla en color rojo o naranja intenso.
- No hay llamas por encima del quemador.
- La llama se quema en la superficie de la rejilla y no en el interior del quemador (retornos de llama).
- No se experimentan olores desagradables e intensos, ardor de ojos ni otras molestias físicas.
- No hay humo ni hollín dentro o fuera del calentador.

- El calentador no se apaga repentina e inexplicablemente.

Las listas de piezas y la vista esquemática muestran la forma en la que el calentador está construido. No utilice un calentador que sea diferente del que se muestra. A este respecto, utilice sólo la manguera, el regulador y el niple de conexión al cilindro (conocido como niple de rosca invertida) incluidos con el calentador.

**IMPORTANTE:** Para este calentador, el regulador se debe instalar como se muestra en las *Especificaciones* en la página 13. Si tiene dudas acerca de la configuración del regulador, haga que la revisen.

---

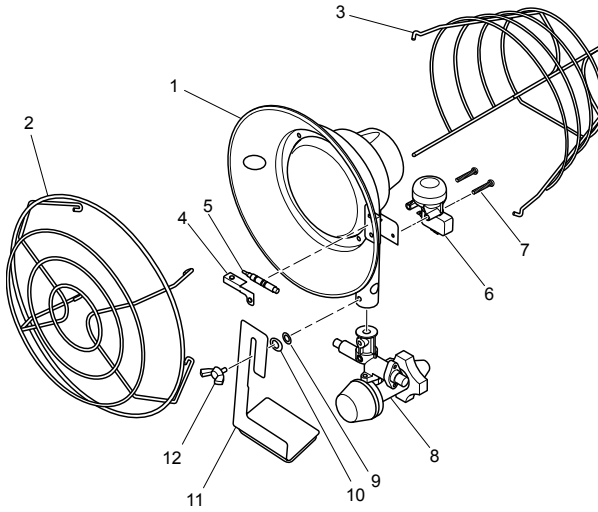
---

# PIEZAS

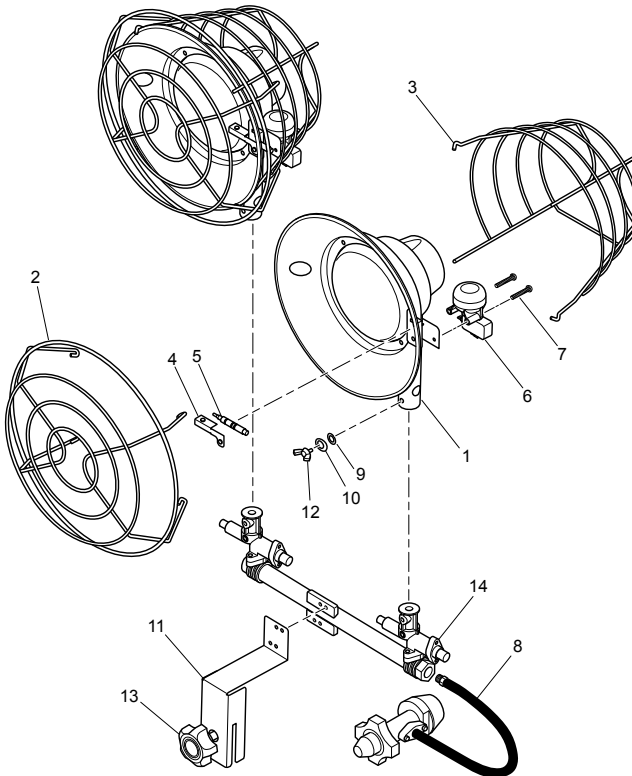
---

---

## MODELO FBDTP15



## MODELO FBDTP30



## PIEZAS

### MODELOS FBFTP15 Y FBFTP30

Esta lista contiene las piezas reemplazables utilizadas en el calentador. Al hacer un pedido de piezas, siga las instrucciones listadas en *Piezas de repuesto* en la página 20 de este manual.

Artículo	FBFTP15	FBFTP30	Descripción	Cant
1	160210-01	160210-01	Ensamblaje de la cabeza del quemador	1-2
2	160211-01	160211-01	Protector frontal	1-2
3	160212-01	160212-01	Protector posterior	1-2
4	160225-01	160225-01	Termopar placa	1
5	160224-01	160224-01	Termopar	1
6	160217-01	160217-01	Volcar interruptor	1-2
7	160218-01	160218-01	Volcar interruptor tornillo	2-4
8	160215-01	-----	Regulador/ Ensamblaje de inyector	1
	-----	160244-01	Regulador/Ensamblaje de la manguera	1
9	160241-01	160241-01	Arandela plana	1-2
10	160240-01	160240-01	Arandela curva	1-2
11	160216-01	160237-01	Tanque del Soporte	1
12	160213-01	160213-01	Tuerca de mariposa	1
13	-----	160238-01	Perilla	1
14	-----	160243-01	Ensamblaje de válvula/tubo	1
<b>PIEZAS DISPONIBLES - NO SE MUESTRAN</b>				
	160234-05	-----	Etiqueta colgante de instrucciones (inglés/ francés)	1
	-----	160234-07	Etiqueta colgante de instrucciones (inglés/ francés)	1
	160234-06	-----	Etiqueta colgante de instrucciones (español)	1
	-----	160234-08	Etiqueta colgante de instrucciones (español)	1
		160239-01	Hardware paquete	1

---

---

## PIEZAS DE REPUESTO

---

---

*Nota: use sólo piezas de repuesto originales. Esto protegerá la cobertura de su garantía para partes reemplazadas bajo la garantía.*

### PIEZAS CON GARANTÍA

Comuníquese con los distribuidores autorizados de este producto. Si no pueden proporcionarle las piezas originales de repuesto, llame gratis al Departamento de Servicio al Cliente al 1-855-607-6557 para obtener información de referencia.

Cuando llame a Servicio al Cliente, tenga preparados:

- su nombre,
- su dirección
- los números de modelo y de serie de su calentador,
- la falla del calentador,
- Tipo de suministro de gas y propano/LP tamaño del tanque de gas
- la fecha de compra

Por lo general, le pediremos que devuelva la pieza a la fábrica.

### PIEZAS SIN GARANTÍA

Comuníquese con los distribuidores autorizados de este producto. Si no pueden suministrarle piezas de repuesto originales, llame gratis al Departamento de Servicio al Cliente al 1-855-607-6557 para obtener información de referencia.

Cuando llame a Servicio al Cliente, tenga preparados:

- los números de modelo y de serie de su calentador,
- el número de la pieza de repuesto.

---

---

## SERVICIO TÉCNICO

---

---

Es posible que tenga preguntas adicionales sobre la instalación, el funcionamiento o la solución de problemas. De ser así, póngase en contacto con Factory Buys Direct al 1-855-607-6557. Al llamar tenga a la mano los números de modelo y serie de su calentador.



---

---

# GARANTÍA

---

---

## GUARDE ESTA GARANTÍA

Modelo \_\_\_\_\_

Número de serie \_\_\_\_\_

Fecha de compra \_\_\_\_\_

Conserve su recibo para la verificación de la garantía.

**REGISTRE SU PRODUCTO EN [WWW.FACTORYBUYSDIRECT.COM](http://WWW.FACTORYBUYSDIRECT.COM)**

### FACTORY BUYS DIRECT GARANTÍAS LIMITADAS

#### NUEVOS PRODUCTOS - CALEFACCIÓN EXTERIOR

**Garantía Estándar:** Factory Buys Direct garantiza que este nuevo producto y las piezas del mismo está libre de defectos en materiales y mano de obra durante un período de un (1) año a partir de la fecha de la primera compra de un distribuidor autorizado siempre que el producto se ha instalado , mantenidos y operados de acuerdo con las advertencias Factory Buys Direct's e instrucciones.

Para los productos comprados para uso comercial, industrial o para renta, esta garantía está limitada a 90 días a partir de la fecha de la primera compra.

#### REACONDICIONADOS EN LA FÁBRICA PRODUCTOS

**Garantía Limitada:** Factory Buys Direct garantiza que los productos de la fábrica reacondicionados y sus fragmentos están libres de defectos en materiales y mano de obra durante un período de 30 días a partir de la fecha de la primera compra en un concesionario autorizado, siempre que el producto haya sido instalado, mantenido y operado de conformidad con las advertencias Factory Buys Direct's e instrucciones. No hay retorno será autorizado. Las piezas se proporcionan para reparar el producto.

#### CONDICIONES COMUNES A TODAS LAS GARANTÍAS

Los siguientes términos se aplican a todas las garantías anteriormente mencionadas:

Siempre especifique el número de modelo y número de serie al ponerse en contacto con el fabricante. Para realizar una reclamación bajo esta garantía, la factura de venta u otra prueba de compra debe ser presentada.

Esta garantía se extiende solamente al comprador original al por menor a la compra de un distribuidor autorizado, y sólo cuando es instalado por un instalador calificado de acuerdo con todos los códigos y las instrucciones suministradas con este producto.

Esta garantía cubre el costo de la parte (s) necesario para restaurar el producto a su condición apropiada de operación y un subsidio de mano de obra cuando lo realiza un Factory Buys Direct Centro de Servicio Autorizado o un proveedor aprobado por Factory Buys Direct. Parte de la garantía debe ser obtenida a través de distribuidores autorizados de este producto y / o Factory Buys Direct, que proporcionará piezas de repuesto originales de fábrica. Si no se utiliza piezas de repuesto originales de fábrica anulará esta garantía.

Viajar, manipulación, transporte, diagnóstico, material, mano de obra y los costos incidentales asociados con reparaciones en garantía, salvo que expresamente cubiertos por esta garantía, no son reembolsables bajo esta garantía y son responsabilidad del propietario.

Quedan excluidos de esta garantía los productos o piezas que fallan o se dañan debido al mal uso, accidentes, instalación incorrecta, falta de mantenimiento adecuado, modificación o alteración (s).

Esta es la garantía Factory Buys Direct's exclusiva, y en la medida permitida por la ley, esta garantía expresa excluye cualquier garantía, expresa o implícita, escrita o verbal y limita la duración de cualquiera y todas las garantías implícitas, incluyendo las garantías de comerciabilidad y adecuación para un propósito en particular a uno (1) año en nuevos productos y 30 días en productos reacondicionados de fábrica a partir de la fecha de la primera compra.

Factory Buys Direct no ofrece ninguna garantía con respecto a este producto.

Responsabilidad Factory Buys Direct's se limita al precio de compra del producto y Factory Buys Direct no será responsable por ningún otro daño, bajo ninguna circunstancia, incluyendo daños directos, indirectos, incidentales o consecuentes.

Algunos Estados no permiten limitaciones en la duración de una garantía implícita o la exclusión o limitación de daños incidentales o consecuentes, por lo que la limitación o exclusión anterior puede no aplicarse a usted.

Esta garantía le otorga derechos legales específicos, y usted también puede tener otros derechos que varían de estado a estado.



**FACTORY  
BUYS  
DIRECT.COM**

Factory Buys Direct  
500 Brown Industrial Parkway  
Canton, GA 30114  
1-855-607-6557

160946-01  
Rev. A  
11/14



**FACTORY  
BUYS  
DIRECT.COM**

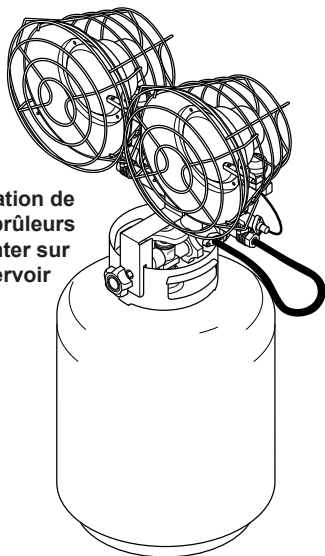


Illustration de  
deux brûleurs  
à monter sur  
réservoir

**APPAREIL DE CHAUFFAGE  
À INFRAROUGE À MONTER  
SUR RÉSERVOIR MANUEL  
D'UTILISATION**

**MODÈLE FBDTP15 À UN  
BRÛLEUR**

**10 000-15 000 BTU**

**MODÈLE FBDTP30 À DEUX  
BRÛLEURS**

**10 000-30 000 BTU**



### **POUR VOTRE PROTECTION**

Si vous sentez une odeur de gaz :

1. Coupez l'arrivée de gaz de l'appareil.
2. Éteignez les flammes nues.

N'entreposez pas et n'utilisez pas d'essence, ni de vapeurs ou de liquides inflammables près de cet appareil ou de tout autre appareil.

**⚠ DANGER**



**RISQUE D'EMPOISONNEMENT AU MONOXYDE DE CARBONE**

Cet appareil peut produire du monoxyde de carbone, lequel n'a pas d'odeur.

Vous risquez la mort si vous l'utilisez dans un espace fermé.

N'utilisez jamais cet appareil dans un espace fermé, comme un véhicule de camping, une tente, une voiture ou une maison.



**Questions, problèmes, pièces manquantes?** Avant de retourner à votre revendeur, appelez notre service à la clientèle de service au 1-855-607-6557, 08.00-16.30, heure normale de l'Est, du lundi au vendredi ou par courriel [info@factorybuysdirect.com](mailto:info@factorybuysdirect.com)

## TABLE DES MATIÈRES

Spécifications .....	25	Réparation .....	29
Sécurité .....	25	Pièces .....	30
D'assemblage.....	27	Pièces de rechange.....	31
Fonctionnement.....	27	Service technique.....	31
Entretien et entreposage .....	29	Garantie.....	32

**IMPORTANT : Lisez et comprenez ce guide avant d'assembler, d'allumer ou de réparer l'appareil de chauffage. Une mauvaise utilisation de l'appareil de chauffage peut causer des blessures graves. Conservez ce guide pour référence future.**

### **⚠ AVERTISSEMENT DE RISQUE GÉNÉRAL :**

Tout manquement aux précautions et aux instructions fournies avec cet appareil de chauffage peut causer la mort, des blessures corporelles graves ainsi que la perte de biens et des dommages causés par les risques associés au feu, à une explosion, aux brûlures, à l'asphyxie, à l'empoisonnement par le monoxyde de carbone et aux chocs électriques.

Seuls les individus qui comprennent et qui respectent ces instructions peuvent utiliser ou réparer cet appareil de chauffage.

Si vous avez besoin d'assistance ou de renseignements concernant l'appareil de chauffage tels que le guide d'instructions, les étiquettes, etc., communiquez avec le fabricant.

**⚠ AVERTISSEMENT : Danger d'incendie, de brûlure, d'inhalation et d'explosion. Gardez les produits combustibles solides comme les matériaux de construction, le papier et les cartons, à une distance sécuritaire de l'appareil de chauffage tel que recommandé dans les instructions. N'utilisez jamais l'appareil de chauffage dans des espaces susceptibles de contenir des combustibles volatils ou atmosphériques, ou des produits tels que de l'essence, des diluants, du solvant à peinture, des particules de poussières ou des produits chimiques inconnus.**



## SPÉCIFICATIONS

	FBFTP15	FBFTP30
Rendement	10 000 à 15 000 Btu/h (3,0 à 4,4 kW)	10 000 à 30 000 Btu/h (3,0 à 8,8 kW)
Type de gaz	Propane ou GPL uniquement	
Allumage	Allumette	
Pression du gaz à l'entrée du détendeur	Max - Pression du réservoir	
	Min - 1,37 bar (20 lb/po <sup>2</sup> )	
Pression d'admission	de 0,62 à 1,17 bar (de 9 à 17 lb/po <sup>2</sup> )	
Température ambiante minimale	-17,8° C (0° F)	
Consommation de carburant par bouteille de 9 kg (20 po)	36 heures	18 heures

## SÉCURITÉ

**⚠ AVERTISSEMENT : Cet appareil contient ou produit des produits chimiques déterminés par l'État de Californie comme cancérigènes et pouvant causer des malformations congénitales et d'autres problèmes liés à la reproduction.**

**⚠ AVERTISSEMENT : Cet appareil n'est pas conçu pour usage domestique ou dans les véhicules de camping.**

Le chauffe-eau est conçu et homologué pour être utilisé comme un appareil de chauffage de construction conformément à la *Norme ANSI Z83.7 • CSA 2.14*. Vérifiez auprès de votre service d'incendie local de sécurité si vous avez des questions au sujet des applications.

D'autres normes régissent l'utilisation des gaz combustibles et de chaleur fabriquent des produits pour des applications spécifiques. Les autorités locales peuvent vous conseiller à ce sujet.

L'utilisation prévue de cet appareil de chauffage est le chauffage temporaire de bâtiments ou d'ouvrages relevant de construction, de modification ou de réparation.

### RISQUE D'ASPHYXIE

- **N'utilisez pas cet appareil de chauffage pour chauffer des habitations.**
- **Ne l'utilisez pas dans les endroits qui ne sont pas ventilés.**

- La circulation d'air de combustion et de ventilation ne doit pas être bloquée.
- La ventilation d'air doit être adéquate pour les besoins en combustion de l'appareil de chauffage utilisé.
- Reportez-vous à la section sur les spécifications, dans le manuel de l'appareil de chauffage et sur la plaque signalétique de l'appareil de chauffage, ou communiquez avec ProCom Heating, Inc. pour déterminer les besoins en ventilation d'air de l'appareil de chauffage.
- Une ventilation d'air insuffisante produira une mauvaise combustion.
- Une mauvaise combustion peut engendrer un empoisonnement au monoxyde de carbone et causer des troubles de santé graves ou mortels. Les symptômes possibles de l'empoisonnement au monoxyde de carbone sont les maux de tête, le vertige et les troubles respiratoires.

1. Ne laissez pas les enfants et les animaux s'approcher de l'appareil de chauffage.
2. N'utilisez jamais l'appareil de chauffage s'il est laissé sans surveillance ou pendant que vous dormez.
3. Examinez soigneusement l'appareil de chauffage pour vérifier qu'il n'est pas endommagé. N'utilisez pas d'appareil de chauffage endommagé.
4. Ne modifiez pas l'appareil de chauffage et ne faites pas fonctionner un appareil de chauffage dont la condition d'origine a été modifiée.
5. N'utilisez que du gaz propane ou du GPL.

## SÉCURITÉ

6. N'utilisez qu'une alimentation en propane ou en GPL composé pour le retrait de vapeur. Si vous avez des questions sur le retrait de vapeur, communiquez avec votre fournisseur de propane ou de GPL.
7. Pour usage à intérieur uniquement. Une ventilation adéquate doit être fournie. Prévoyez des ouvertures d'au moins 0,093 m<sup>2</sup> (1 pi<sup>2</sup>) près du sol et de 0,093 m<sup>2</sup> (1 pi<sup>2</sup>) près du plafond. N'utilisez pas l'appareil dans une maison, un véhicule de camping ou autre, une tente, ou autre endroit clos ou sans ventilation.
8. N'utilisez pas l'appareil de chauffage dans les sous-sols ou sous le niveau du sol.
9. Avant de raccorder l'appareil de chauffage au réservoir de propane ou de GPL, vérifiez que le bouton de réglage de l'appareil de chauffage est sur « OFF » (ARRÊT). Raccordez et allumez toujours l'appareil de chauffage dans un endroit où il n'y a pas de flamme nue.
10. Montez les bouteilles de propane ou de GPL à la verticale (avec la vanne d'arrêt au-dessus). Assurez-vous qu'elles ne risquent pas de tomber, de se renverser ou d'être endommagées.
11. **IMPORTANT** : N'utilisez que l'assemblage de tuyau et de détendeur fourni avec l'appareil de chauffage à deux brûleurs à monter sur réservoir. Inspectez l'assemblage du tuyau et du détendeur avant chaque utilisation. Si le tuyau montre des signes d'usure excessive ou s'il est fendu, remplacez-le avec l'assemblage de tuyau indiqué sur la liste des pièces avant d'utiliser l'appareil de chauffage. Il faut protéger le tuyau et le détendeur contre les dommages éventuels.
12. Le brûleur de l'appareil de chauffage doit être au moins à 61 cm (2 pi) au-dessus du sol. Raccordez toujours le réservoir de propane ou de GPL verticalement. Ne faites jamais fonctionner un appareil de chauffage reposant sur son côté et ne raccordez jamais un réservoir de propane ou de GPL à l'horizontale. Il y aurait des risques de retours de flamme dangereux ou d'incendie. Ne dirigez pas la chaleur vers les bouteilles de propane ou de GPL.
13. Maintenez les distances minimales suivantes entre l'appareil et les matériaux combustibles (comme le papier) :

Côtés et dessus	1 m (3 pi)
Avant	1,8 m (6 pi)
Brûleur à l'étage	0,6 m (2 pi)

- Placez à 3 m (10 pi) des bâches de protection en plastique ou en tissus, ou des couvertures de ce type et fixez ces dernières pour qu'elles ne risquent pas de battre ou de bouger dans le vent.
14. La zone de l'appareil est gardé propre et libre de matériaux combustibles, essence ou autres vapeurs et liquides inflammables.
  15. Si jamais vous détectez une odeur de gaz, **ARRÊTEZ IMMÉDIATEMENT** l'appareil jusqu'à ce que la source du gaz soit détectée et que la fuite soit réparée.
  16. Installez l'appareil de chauffage de sorte qu'il soit protégé des éclaboussures, de la pluie, de l'eau ruisselante et du vent.
  17. Chauffe-positionner correctement avant utilisation. Ne faites fonctionner l'appareil que sur une surface stable et de niveau.
  18. À cause des températures élevées des surfaces et de la sortie d'air, les adultes et les enfants doivent rester aux distances spécifiées pour éviter les brûlures et que leurs vêtements prennent feu.
  19. Ne déplacez pas, ne manipulez pas et ne réparez pas l'appareil s'il est brûlant ou en marche. Ne raccordez pas et ne détachez pas un appareil de chauffage brûlant ou en marche d'un réservoir de propane ou de GPL.
  20. Avant chaque utilisation, vérifiez que l'appareil de chauffage n'a pas de fuites. N'utilisez jamais de flamme nue pour rechercher une fuite. Appliquez un mélange de savon liquide et d'eau à tous les joints. La présence de bulles indique une fuite. Réparez toutes les fuites.
  21. Maintenez tous les branchements et les raccords propres. Assurez-vous que le robinet du réservoir de propane est propre. Vérifiez que le joint torique en caoutchouc du raccord d'admission du carburant de l'appareil de chauffage n'est pas endommagé avant chaque utilisation. Remplacez-le s'il est usé ou endommagé.
  22. Utilisez uniquement en conformité avec les codes locaux ou, en l'absence de ceux-ci, avec la *norme pour l'emmagasinement et la manipulation du gaz de pétrole liquéfié ANSI/NFPA 58 et le code d'installation du gaz naturel et du propane, CSA B149.1.*

## D'ASSEMBLAGE

1. Inspectez les éléments de l'appareil de chauffage pour vérifiez qu'ils n'ont pas été endommagés durant le transport. S'ils sont endommagés, informez-en au plus vite le revendeur. Vérifiez que tous les éléments sont présents (voir pages 10 et 11).
2. **MODÈLES À 15 000 BTU** Retirer l'écrou à oreilles attacher ensemble régulateur

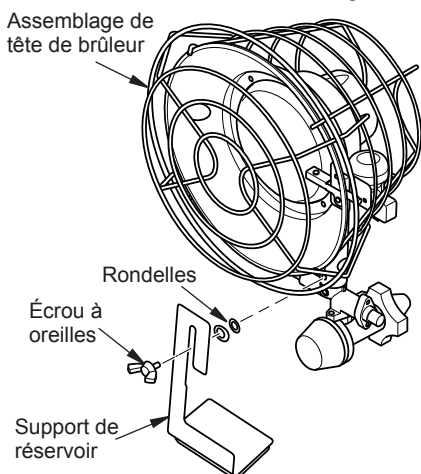


Figure 1 - Fixation de l'assemblée un brûleur au support de réservoir

3. **MODÈLES À 30 000 BTU** Aide de 2 vis de quincaillerie, fixez le support du réservoir au brûleur comme le montre la figure 2.

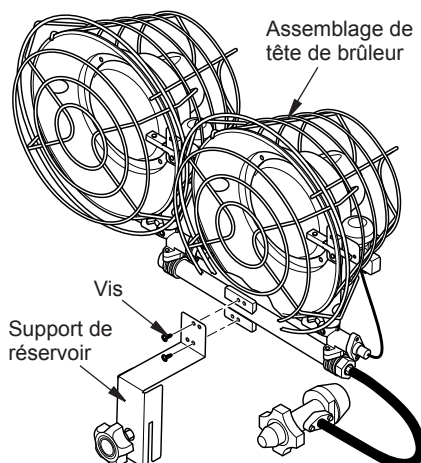


Figure 2 - Fixation brûleur double pour support de réservoir

## FONCTIONNEMENT

1. Vérifiez que l'appareil de chauffage n'est pas endommagé. Si l'appareil de chauffage est endommagé, informez-en au plus vite le revendeur où vous l'avez acheté.
2. Respectez toutes les consignes de sécurité et les précautions d'utilisation.
3. Examinez le joint torique sur le PHE avant chaque utilisation. Remplacez le joint torique s'il porte des signes d'usure ou d'endommagement.
4. Vérifiez que le bouton de réglage de l'appareil de chauffage est sur « OFF » (ARRÊT).
5. **Modèles à 30 000 Btu uniquement** Fixez l'appareil de chauffage à la plaque de protection de la bouteille de propane ou de GPL comme le montre la figure 3.
6. **Pour tous les modèles** Connectez régulateur de propane/GPL en tournant le contre-écrou dans le sens horaire dans la prise de propane/GPL robinet de la bouteille et bien serrer avec une clé

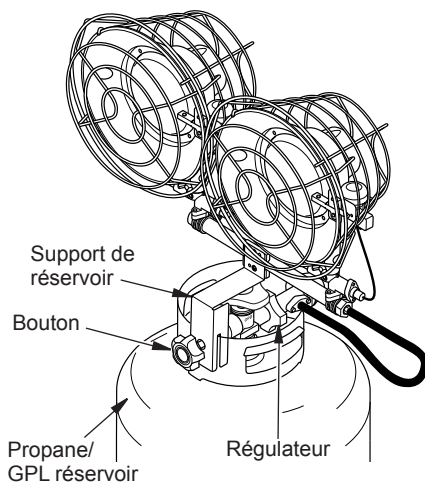


Figure 3 - Fixation de chauffage au gaz propane/GPL réservoir

## FONCTIONNEMENT

**⚠ AVERTISSEMENT : Raccordez l'appareil de chauffage debout. Ne le raccordez jamais couché sur son côté. Il y aurait des risques de retours de flamme dangereux ou d'incendie.**

*Pour une utilisation avec 20, 40, 60 ou £ 100 la bouteille de propane (bouteille).*

7. Fixez fermement tous les raccords de gaz.
8. Ouvrez la vanne de la bouteille et vérifiez tous les raccords pour voir s'il y a des fuites. Appliquez un liquide de détection de fuite non corrosif aux raccords de gaz. L'apparition de bulles indique la présence d'une fuite qui doit être réparée. **N'UTILISEZ PAS DE FLAMME.**

### POUR ALLUMER L'APPAREIL DE CHAUFFAGE

**⚠ AVERTISSEMENT : Lorsque vous allumez l'appareil de chauffage, NE regardez PAS par-dessus l'appareil (le réflecteur). Mettez-vous de côté pendant l'allumage de l'appareil de chauffage. Ne placez aucune partie de votre corps devant l'appareil de chauffage.**

**⚠ AVERTISSEMENT : ASSUREZ-VOUS QU'IL N'Y A PAS DE FLAMME NUE À PROXIMITÉ. Ouvrez complètement le robinet de la bouteille de propane ou de GPL.**

Lisez toutes les instructions d'allumage avant d'essayer d'allumer l'appareil de chauffage.

1. Tournez le bouton de réglage de l'appareil de chauffage dans le sens inverse des aiguilles d'une montre pour le régler sur « HI » (HAUT).
2. Placez une allumette allumée près de l'avant de l'élément de chauffage (l'écran grillagé) du brûleur que vous allumez en utilisant le trou situé sur le côté du réflecteur. Voir figure 4.

**⚠ ATTENTION : N'allumez pas à l'orifice.**

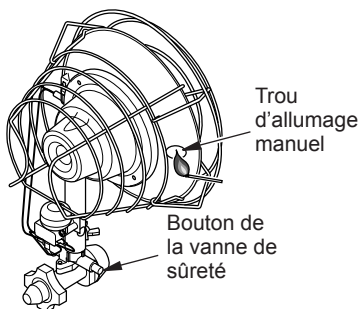
3. Appuyez sur le bouton de la soupape de sécurité qui laisse entrer le gaz au brûleur (voir figure 4).

**⚠ AVERTISSEMENT : Avant d'appuyer sur le bouton du robinet avant de insérer une allumette.**

4. Lorsque le gaz s'allume à l'avant de l'écran grillagé, continuez à appuyer sur le bouton de la soupape pendant 30 secondes, puis relâchez-le.
5. Si la flamme s'éteint, attendez 5 minutes puis recommencez la procédure d'allumage.
6. Si l'appareil de chauffage ne s'allume pas après plusieurs tentatives, n'essayez pas de le réparer. Composez sans frais le service à la clientèle au 1-866-573-0674.
7. Pour les modèles à deux brûleurs, répétez les étapes 1 à 4 pour allumer l'autre brûleur.
8. Une fois que le ou les brûleurs sont allumés, tournez le bouton de réglage de l'appareil de chauffage pour le mettre au réglage désiré (LOW, MED, HI [BAS, MOYEN, HAUT]).

#### 6 combinaisons de fixation thermique :

Brûleur no 1	Brûleur no 2
BAS	ARRÊT
MOYEN	ARRÊT
HAUT	ARRÊT
BAS	BAS
MOYEN	MOYEN
HAUT	HAUT



**Figure 4 - Allumage de l'appareil de chauffage avec une allumette**

---

---

## FONCTIONNEMENT

---

---

### POUR ARRÊTER L'APPAREIL DE CHAUFFAGE

1. Fermez complètement le robinet de la bouteille de propane ou de GPL.
2. Tournez le bouton de réglage de l'appareil de chauffage pour le mettre sur « OFF » (ARRÊT). Attendez 15 minutes pour que l'appareil de chauffage refroidisse avant de le manipuler.
3. Retirez toujours l'appareil de chauffage du réservoir de propane ou de GPL quand vous ne l'utilisez plus. N'entrez jamais l'appareil de chauffage raccordé à une bouteille de propane ou de GPL. Retirez l'appareil de chauffage du réservoir

de propane ou de GPL en faisant tourner l'écrou du connecteur de carburant dans le sens des aiguilles d'une montre. Entrez toujours la bouteille de propane ou de GPL à l'extérieur. N'entrez jamais de réservoir de propane ou de GPL dans un endroit fermé.

### POUR REDÉMARRER L'APPAREIL DE CHAUFFAGE

1. Fermez complètement le robinet de la bouteille de propane ou de GPL.
2. Attendez 5 minutes.
3. Rallumez en suivant la procédure de la section *Pour allumer l'appareil de chauffage*, page 28.

---

---

## ENTRETIEN ET ENTREPOSAGE

---

---

1. Inspectez l'appareil de chauffage avant chaque utilisation. Vérifiez que les branchements ne fuient pas. Appliquez un liquide de détection de fuite non corrosif aux raccords de gaz. L'apparition de bulles indique la présence d'une fuite qui doit être réparée. Répare toutes les fuites immédiatement. Faites inspecter l'appareil de chauffage une fois l'an par un technicien de service qualifié.
2. Avant chaque utilisation, examinez le siège du joint torique de l'embout du raccord PHE. Si le joint torique est fendu, usé ou endommagé, remplacez-le.
3. Inspectez l'assemblage du tuyau et du détendeur avant chaque utilisation. Si le

tuyau est très usé ou fendu, remplacez-le. Utilisez uniquement un tuyau de remplacement spécifié à la page 9.

4. Coupez le gaz à la bouteille de propane ou de GPL quand l'appareil de chauffage n'est pas utilisé.
5. Pour entreposer l'appareil de chauffage, la bouteille de propane ou de GPL doit être déconnectée de l'appareil de chauffage et retirée de ce dernier; elle doit être entreposée à l'extérieur conformément aux directives du chapitre 5 de la *Norme pour L'emmagasiner et la Manipulation des Gaz de Pétrole Liquéfiés ANSI/NFPA 58*.
6. Utiliser de l'air comprimé pour souffler doucement toute saleté ou débris de tube du brûleur.

---

---

## RÉPARATION

---

---

Il est dangereux d'utiliser un appareil de chauffage qui a été modifié ou qui ne fonctionne pas normalement. L'appareil de chauffage fonctionne normalement si :

- L'écran rayonnant est rouge orangé.
- Il n'y a pas de flammes au-dessus du brûleur.
- La flamme brûle à la surface de l'écran plutôt qu'à l'intérieur du brûleur (retour de flamme).
- Vous n'éprouvez aucun malaise physique, vos yeux ne sont pas irrités et vous ne détectez pas de forte odeur déplaisante.
- Il n'y a pas de fumée ou de suie à l'intérieur ou à l'extérieur de l'appareil de chauffage.

• L'appareil de chauffage ne s'éteint pas de façon soudaine et inattendue.

Les listes des pièces et la vue éclatée illustrent l'appareil de chauffage tel qu'il a été conçu. N'utilisez pas un appareil de chauffage s'il diffère de celui illustré. En outre, n'utilisez que le tuyau, le détendeur et le raccord de bouteille (appelé aussi raccord PHE) fourni avec l'appareil de chauffage.

**IMPORTANT :** Pour cet appareil de chauffage, le détendeur doit être réglé comme indiqué dans la section *Spécifications*, page 25. Si vous n'êtes pas sûr du réglage du détendeur, faites-le vérifier.

---

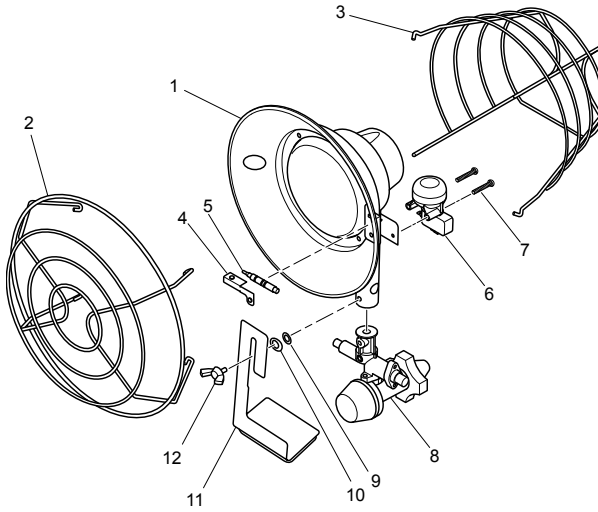
---

## PIÈCES

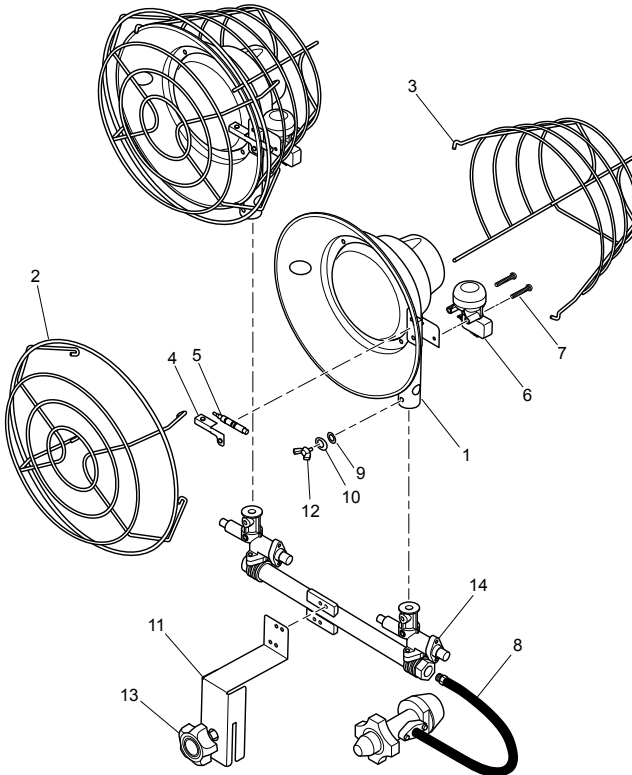
---

---

### MODÈLE FBDTP15



### MODÈLE FBDTP30



---

---

## PIÈCES

---

---

### MODÈLES FBFTP15 AND FBFTP30

Cette liste contient les pièces de rechange utilisées dans votre appareil de chauffage. Quand vous commandez des pièces, reportez-vous aux instructions de la section Pièces de rechange.

N°	FBFTP15	FBFTP30	DESCRIPTION	QTÉ
1	160210-01	160210-01	Assemblage de tête de brûleur	1-2
2	160211-01	160211-01	Grille de protection avant	1-2
3	160212-01	160212-01	Grille de protection arrière	1-2
4	160225-01	160225-01	Thermocouple bouclier	1
5	160224-01	160224-01	Thermocouple	1
6	160217-01	160217-01	Embout interrupteur	1-2
7	160218-01	160218-01	Embout interrupteur vis	2-4
8	160215-01	-----	Assemblage de détendeur/injecteur	1
	-----	160244-01	Assemblage de détendeur/tuyau	1
9	160241-01	160241-01	Rondelle	1-2
10	160240-01	160240-01	Rondelle courbée	1-2
11	160216-01	160237-01	Support de réservoir	1
12	160213-01	160213-01	Écrou à oreilles	1
13	-----	160238-01	Bouton	1
14	-----	160243-01	Assemblage de vanne/tube	1
<b>PIÈCES DISPONIBLES - PAS ILLUSTRÉES</b>				
	160234-05	-----	Étiquette à fil d'instructions (anglais/français)	1
	-----	160234-07	Étiquette à fil d'instructions (anglais/français)	1
	160234-06	-----	Étiquette à fil d'instructions (espagnol)	1
	-----	160234-08	Étiquette à fil d'instructions (espagnol)	1
		160239-01	Matériel paquet	1

---

---

## PIÈCES DE RECHANGE

---

---

*Remarque : Utilisez uniquement des pièces de rechange d'origine. Ceci protégera la garantie des pièces remplacées sous garantie.*

### PIÈCES SOUS GARANTIE

Communiquez avec des vendeurs autorisés de ce produit. S'ils ne peuvent pas vous fournir de pièces de rechange d'origine, composez sans frais le service à la clientèle au 1-855-607-6557 pour obtenir des informations de référence.

Quand appeler le service clientèle ou votre revendeur, avoir en main:

- votre nom
- votre adresse

- le modèle et le numéro de série de votre appareil de chauffage
- une description de la panne de l'appareil de chauffage
- Type de l'approvisionnement en gaz et propane/LP taille du réservoir
- la date d'achat

En général, nous vous demanderons de retourner la pièce à l'usine.

### PIÈCES QUI NE SONT PAS SOUS GARANTIE

Communiquez avec des vendeurs autorisés de ce produit. S'ils ne peuvent pas vous fournir de pièces de rechange d'origine (s) appelez le service clientèle au numéro sans frais 1-855-607-6557 pour obtenir des informations à référence.

Lors de l'appel de service à la clientèle avoir sous la main:

- le modèle et le numéro de série de votre appareil de chauffage
- le numéro de la pièce de rechange

---

---

## SERVICE TECHNIQUE

---

---

Vous aurez peut-être d'autres questions concernant l'installation, le fonctionnement ou le dépannage. Si c'est le cas, appelez Factory Buys Direct au 1-855-607-6557.

Lorsque vous appelez, veuillez avoir les numéros de modèle et de série de votre appareil de chauffage sous la main.

---

---

## GARANTIE

---

---

### GARDEZ CETTE GARANTIE

Modèle \_\_\_\_\_

N ° de série \_\_\_\_\_

Date d'achat \_\_\_\_\_

Conserver la facture pour vérification de la garantie.

**ENREGISTREZ VOTRE PRODUIT À [WWW.FACTORYBUYSDIRECT.COM](http://WWW.FACTORYBUYSDIRECT.COM)**

### FACTORY BUYS DIRECT GARANTIES LIMITÉES

#### Nouveaux Produits - Chauffage Extérieur

**Garantie Standard:** Factory Buys Direct garantit que ce nouveau produit et de ses parties d'être exempt de vices de matériaux et de fabrication pour une période de un (1) an à compter de la date du premier achat chez un revendeur agréé à condition que le produit a été installé, entretenu et exploité conformément avec des avertissements de la Société et les instructions.

Pour les produits achetés pour un usage commercial, industriel ou de la location, cette garantie est limitée à 90 jours à compter de la date du premier achat.

#### Produits Reconditionnés en Usine

**Garantie Limitée:** Factory Buys Direct garantit que les produits reconditionnés en usine et toutes les parties de celui-ci est exempt de vices de matériaux et de fabrication pour une période de 30 jours à compter de la date du premier achat chez un revendeur agréé à condition que le produit a été installé, entretenu et exploité conformément aux avertissements Factory Buys Direct et instructions. Aucun retour ne sera autorisée. Les pièces seront fournies à la réparation du produit.

#### Conditions Communes à Tous les Garanties

Les conditions suivantes s'appliquent à l'ensemble des garanties ci-dessus:

Toujours spécifier le numéro de modèle et le numéro de série lorsque vous contactez le fabricant. Pour faire une réclamation sous cette garantie, la facture de vente ou autre preuve d'achat doit être présentée.

Cette garantie est accordée uniquement à l'acheteur original au détail lors de l'achat chez un revendeur agréé, et seulement lorsqu'il est installé par un installateur qualifié en conformité avec tous les codes locaux et instructions fournies avec ce produit.

Cette garantie couvre le coût de la partie(s) nécessaire pour restaurer ce produit à l'état de fonctionnement correct et une allocation de main-d'œuvre lorsqu'ils sont fournis par un Factory Buys Direct centre de service autorisé ou un fournisseur approuvé par Factory Buys Direct. Garantie pièces doit être obtenu par des courtiers autorisés de ce produit et / ou Factory Buys Direct, qui fournira des pièces de rechange d'usine. Si vous n'utilisez pas des pièces de rechange d'usine annulera cette garantie.

Voyager, la manutention, le transport, de diagnostic, matériel, main-d'œuvre et les frais accessoires liés à des réparations sous garantie, sauf si expressément couverts par cette garantie, ne sont pas remboursables en vertu de cette garantie et sont la responsabilité du propriétaire.

Sont exclus de cette garantie sont des produits ou des pièces qui tombent en panne ou sont endommagés en raison d'une mauvaise utilisation, d'accidents, mauvaise installation, manque d'entretien approprié, la falsification ou altération (s).

C'est la garantie Factory Buys Direct exclusif de l', et dans toute la mesure permise par la loi; cette garantie expresse exclut toute autre garantie, expresse ou implicite, écrite ou verbale, et limite la durée de toutes les garanties implicites, y compris garanties de qualité marchande et d'adéquation à un usage particulier à un (1) an sur les nouveaux produits et 30 jours sur les produits reconditionnés en usine à partir de la date du premier achat.

Factory Buys Direct n'offre aucune garantie concernant ce produit.

La responsabilité Factory Buys Direct est limitée au prix d'achat du produit et Factory Buys Direct n'est pas responsable de tout dommage que ce soit d'autres en toutes circonstances, y compris directs, indirects, accidentels ou indirects.

Certains États n'autorisent pas les limitations sur la durée d'une garantie implicite ou l'exclusion ou la limitation des dommages fortuits ou consécutifs, de sorte que la limitation ou l'exclusion peut ne pas s'appliquer à vous.

Cette garantie vous donne des droits légaux spécifiques, et vous pouvez également avoir d'autres droits qui varient d'État à État.



**FACTORY  
BUYS  
DIRECT.COM**

Factory Buys Direct  
500 Brown Industrial Parkway  
Canton, GA 30114  
1-855-607-6557

160946-01  
Rev. A  
11/14