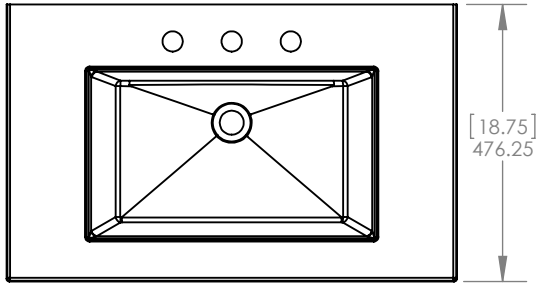
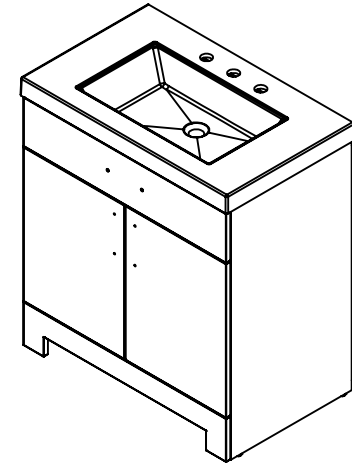


| ITEM ID   | DESCRIPTION                         |
|-----------|-------------------------------------|
| GW30P3-WO | Glenwood 30.50in - White Washed Oak |

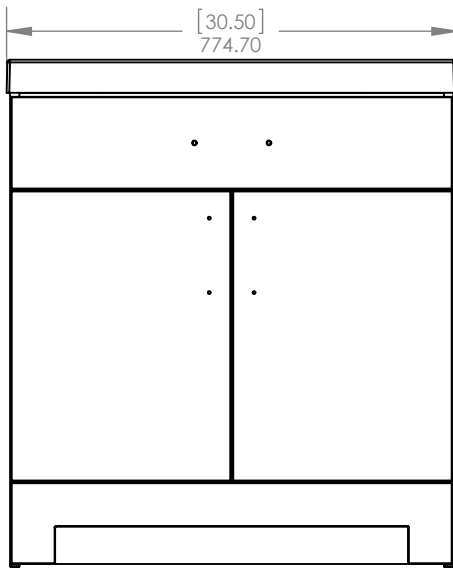
| REV | ECO# | DESCRIPTION | REV'D BY DATE   | CHK'D BY DATE  | APRV'D BY DATE |
|-----|------|-------------|-----------------|----------------|----------------|
| 0   |      | RELEASE     | AGS<br>06/11/20 | KN<br>06/11/20 | EC<br>06/11/20 |



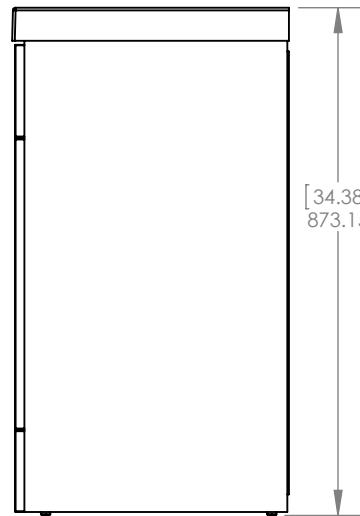
Top View / Vista Superior



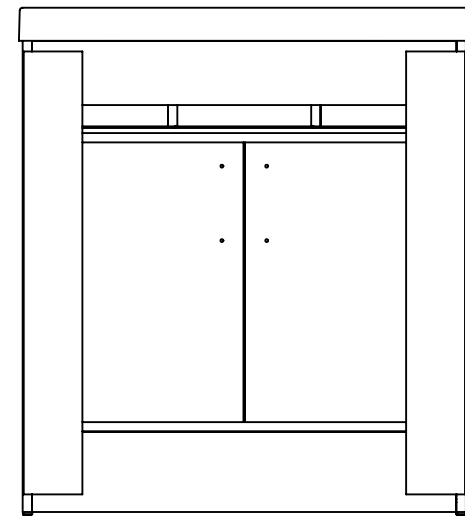
Isometric View / Vista Isometrica



Front view / Vista Frontal



Side View / Vista Lateral



Back View / Vista Trasera



**PROPRIETARY AND CONFIDENTIAL**  
 THE INFORMATION CONTAINED IN THIS DRAWING IS THE SOLE PROPERTY OF WOODCRAFTERS HOME PRODUCTS L.L.C. ANY REPRODUCTION IN PART OR AS A WHOLE, WITHOUT THE WRITTEN PERMISSION OF WOODCRAFTERS HOME PRODUCTS L.L.C. IS PROHIBITED.

Tolerancia no epsecificada

Lineal  
±0.5mm

Angular  
±0.5°

|                                |                  |          |
|--------------------------------|------------------|----------|
| Drawn By /<br>Dibujado por:    | Adolfo Gallegos  | 06/11/20 |
| Checked By /<br>Revisado Por:  | Karina Navarro   | 06/11/20 |
| Approved By /<br>Revisado Por: | Eduardo Cisneros | 06/11/20 |

|                                     |        |
|-------------------------------------|--------|
| Cabinet Name/Nombre de Gabinete:    | FG ID: |
| Glenwood 30.50in - White Washed Oak |        |

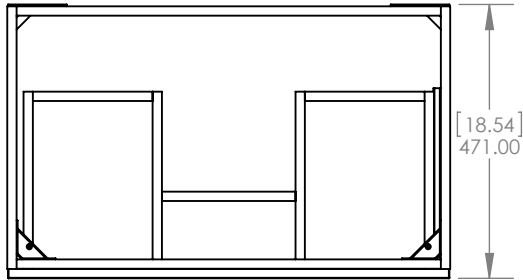
# of Drawing/ de Dibujo:

PAGE 1 OF 1

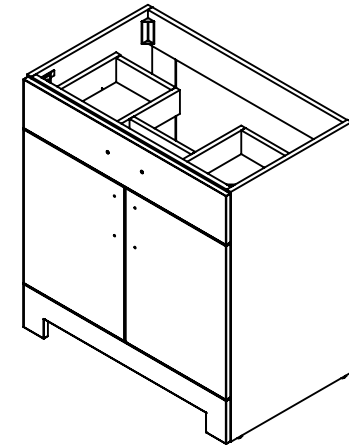
REV: 0

| ITEM ID   | DESCRIPTION                         |
|-----------|-------------------------------------|
| GW30P3-WO | Glenwood 30.50in - White Washed Oak |

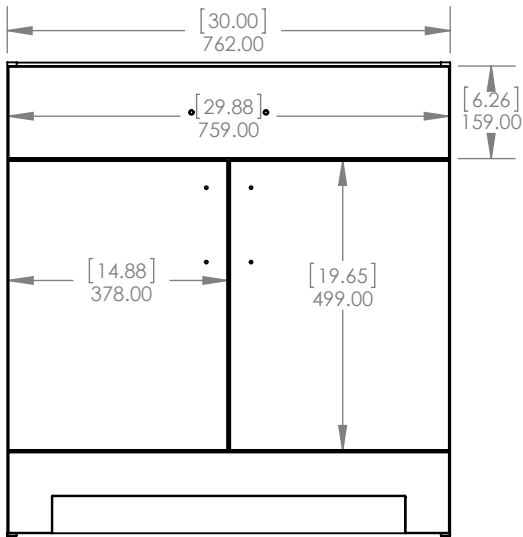
| REV | ECO# | DESCRIPTION | REV'D BY DATE   | CHK'D BY DATE  | APRV'D BY DATE |
|-----|------|-------------|-----------------|----------------|----------------|
| 0   |      | RELEASE     | AGS<br>06/11/20 | KN<br>06/11/20 | EC<br>06/11/20 |



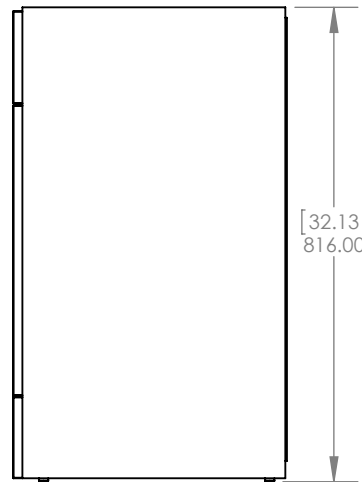
Top View / Vista Superior



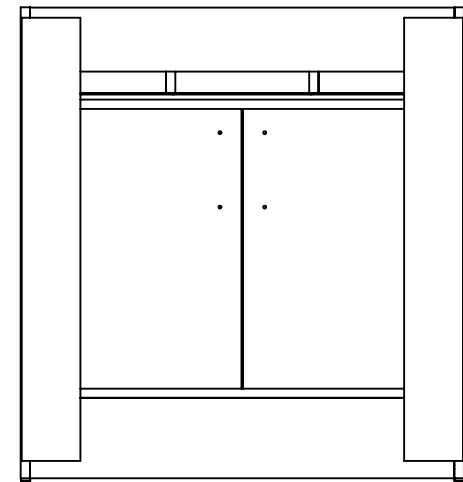
Isometric View / Vista Isometrica



Front view / Vista Frontal



Side View / Vista Lateral



Back View / Vista Trasera



**PROPRIETARY AND CONFIDENTIAL**  
 THE INFORMATION CONTAINED IN THIS DRAWING IS THE SOLE PROPERTY OF WOODCRAFTERS HOME PRODUCTS L.L.C. ANY REPRODUCTION IN PART OR AS A WHOLE, WITHOUT THE WRITTEN PERMISSION OF WOODCRAFTERS HOME PRODUCTS L.L.C. IS PROHIBITED.

Tolerancia no especificada

Lineal  
±0.5mm

Angular  
±0.5°

|                                |                  |          |
|--------------------------------|------------------|----------|
| Drawn By /<br>Dibujado por:    | Adolfo Gallegos  | 06/11/20 |
| Checked By /<br>Revisado Por:  | Karina Navarro   | 06/11/20 |
| Approved By /<br>Revisado Por: | Eduardo Cisneros | 06/11/20 |

Cabinet Name/Nombre de Gabinete:  
Glenwood 30.50in - White Washed Oak

FG ID:

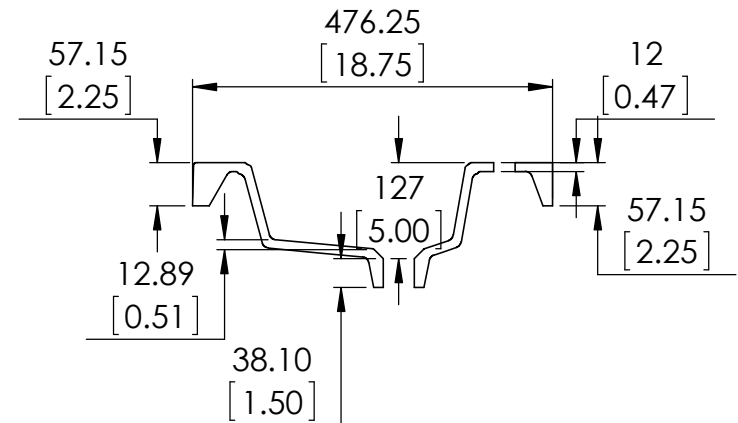
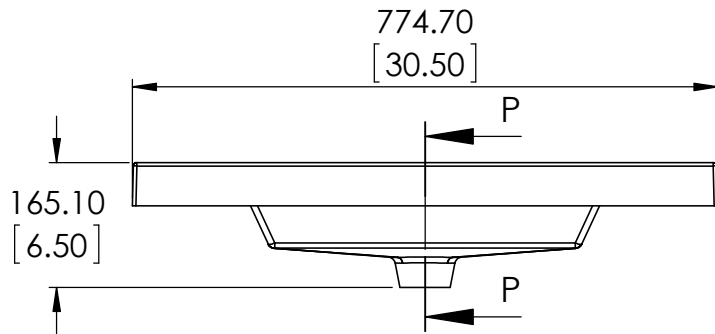
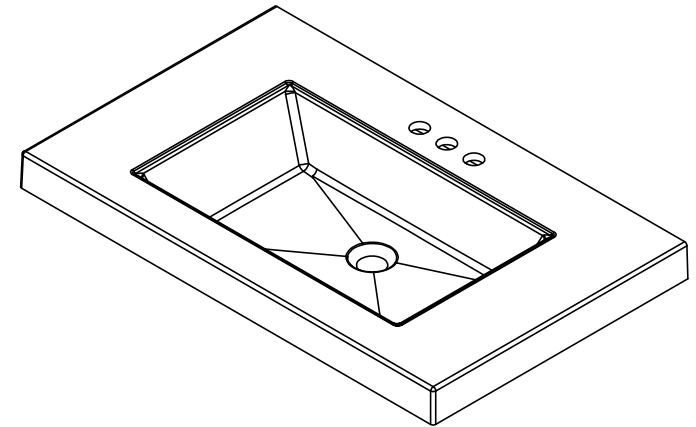
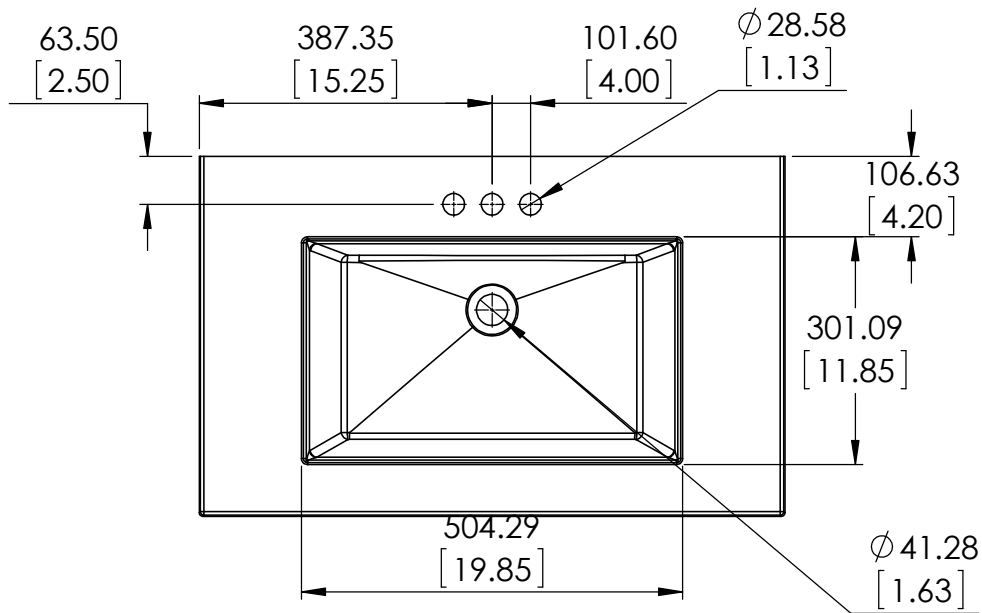
# of Drawing/ de Dibujo:

PAGE 1 OF 1

REV: 0

| ITEM TYPE | ITEM ID | ITEM DESCRIPTION               | DRAWING STATUS          |
|-----------|---------|--------------------------------|-------------------------|
| FG        | 595683  | Vtop Oslo 30.5x18.75 white 8in | Approved for production |

| REV | CHANGE                                    | DATE     | APPROVAL    |
|-----|---|----------|-------------|
| 0   | Released                                  | 11/01/16 | E. SANDOVAL |
| 1   | Increase degrees in bowl and back support | 10/06/19 | E. SANDOVAL |

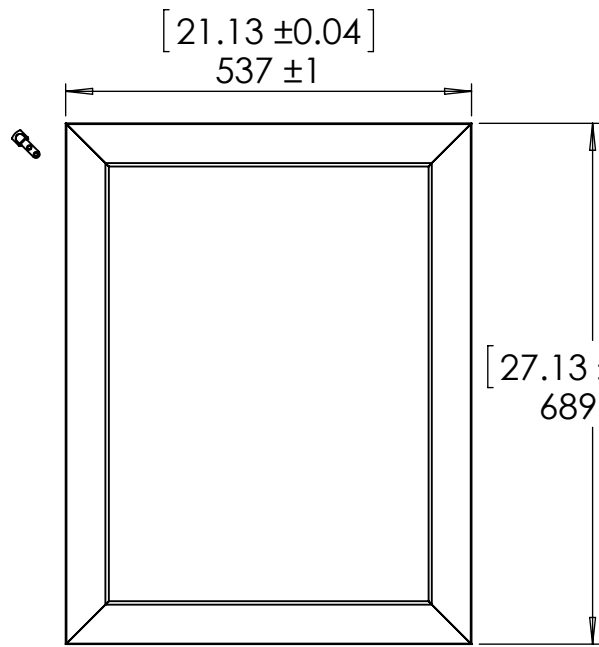


**PROPRIETARY AND CONFIDENTIAL**  
 THE INFORMATION CONTAINED IN THIS DRAWING IS THE SOLE PROPERTY OF WOODCRAFTERS. ANY REPRODUCTION IN PART OR AS A WHOLE WITHOUT THE WRITTEN PERMISSION OF WOODCRAFTERS IS PROHIBITED.

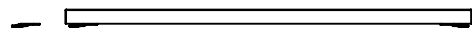
UNLESS OTHERWISE SPECIFIED  
 DIMENSIONS ARE IN MM. AND [INCHES]  
 TOLERANCES ARE  
 + 3.175 [0.125] - 3.175 [0.125]  
 SCALE:1:10

|           | NAME        | DATE       |
|-----------|-------------|------------|
| DRAWN     | O. Razo     | 10/11/2019 |
| CHECKED   | E. SANDOVAL | 10/11/2019 |
| ENG APPR. | W. Amaya    | 10/11/2019 |
| MFG APPR. | A. Casiano  | 10/11/2019 |

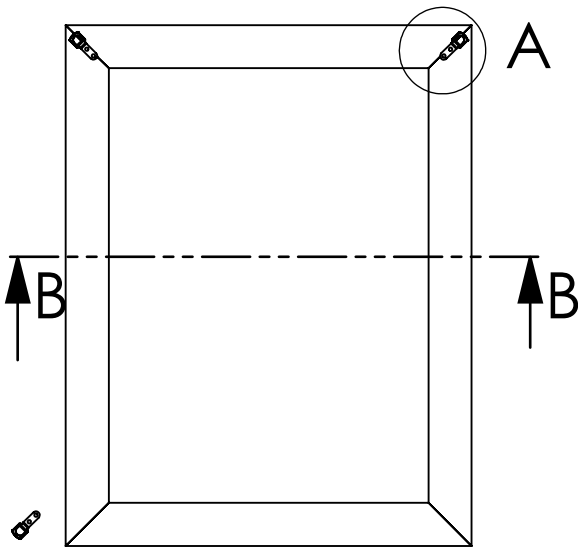
**Wood Crafters**  
 SIZE DWG. NO. **A** Vtop Oslo 30.5x18.75 white 8in SHEET 1 OF 1



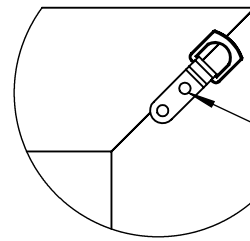
Vista frontal



Vista superior



Vista trasera

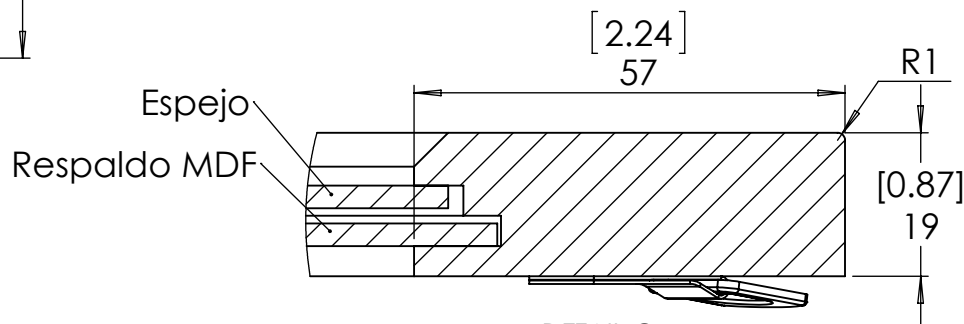


DETAIL A

SCALE 1 : 3



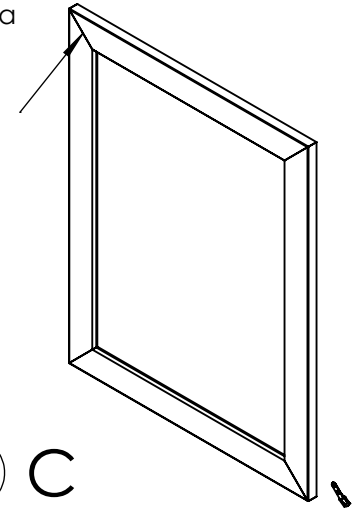
SECTION B-B



DETAIL C  
SCALE 1 : 1

Tolerancia en abertura  
de corte 45°  
**Nominal** 0.2mm  
**Máxima** 0.5mm

1 tornillo  
por bracket



Vista isométrica

REV: **A**

|                     |               |                     |               |
|---------------------|---------------|---------------------|---------------|
| FG:                 |               | White Washed Oak    | <b>297541</b> |
| <b>Cognac</b>       | <b>299219</b> | <b>Graphite</b>     | <b>295690</b> |
| <b>Bark Paper</b>   | <b>293532</b> | <b>Kitchen Grey</b> | <b>293915</b> |
| <b>Blue</b>         | <b>298106</b> | <b>Pearl Gray</b>   | <b>298983</b> |
| <b>Cement</b>       | <b>293429</b> | <b>Sage</b>         | <b>294595</b> |
| <b>Charcoal</b>     | <b>293531</b> | <b>Shale gray</b>   | <b>298065</b> |
| <b>Cream</b>        | <b>293161</b> | <b>Sterling</b>     | <b>295550</b> |
| <b>Butterscotch</b> | <b>297491</b> | <b>White</b>        | <b>296325</b> |
| <b>Sand Elm</b>     | <b>298208</b> | <b>Haze</b>         | <b>295500</b> |



NOMBRE:  
**Wall Mirror**  
**21.125x27.125**

MATERIAL:  
**MDF paper wrap**

Propiedad y Confidencialidad  
información contenida en este dibujo  
es puramente propiedad de  
Woodcrafters Home Products LLC. Queda  
prohibida cualquier reproducción parcial  
o total sin el permiso por escrito de  
Woodcrafters Home Product LLC.

A MENOS QUE LO ESPECIFIQUE DE  
OTRA FORMA  
DIMENSIONES EN mm  
y [in]  
Y TOLERANCIAS EN  
±0.5 [0.02]

|        |     |          |
|--------|-----|----------|
| DIBUJO | ARB | 08/07/19 |
| REVISO | R&D | 08/07/19 |
| APROBO | ING | 08/07/19 |

ESCALA: 1:10 MODELO: Wall mirror 21.125x27.125 paper wrap