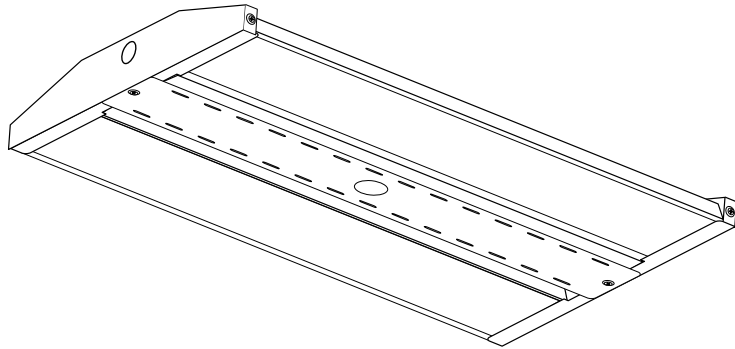


**2FT LED HIGH BAY, 18000 LUMEN, 5000K,  
120-277V, 0-10V DIMMING**



**INSTALLATION INSTRUCTIONS**

*Please read carefully and save these instructions. Failure to do so may lead to electrical shock or fire, which may cause injury or death.*

For questions, problems, or missing parts call the Customer Service line at (855) 573-6156 from 8 AM to 6 PM EST Monday – Friday.

**CAUTION**

**WARNING – RISK OF FIRE:** Turn off the main power at the circuit breaker before installing the fixture or performing other maintenance in order to prevent possible shock.

**GENERAL**

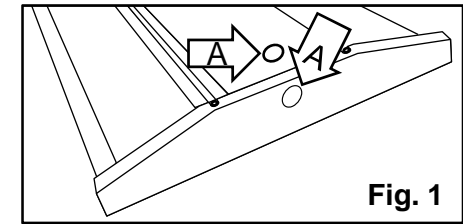
All electrical connections must be in accordance with local, and national electrical codes.

Prior to installation remove all protective plastic film covering from the fixture.

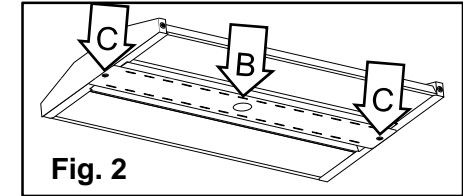
**Tools needed for installation:** Phillips screwdriver, wire strippers, and pliers.

**DIMMING**

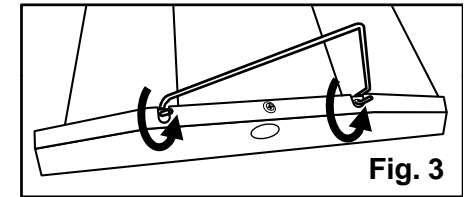
1. Use a 0-10V dimmer only.
2. If the fixture will be connected to a dimmer, punch out one of the **knockouts** (A) located at each end of the fixture and pull the **dimming wires** out through that **knockout** (A). [Fig. 1]
3. Remove the **front plate** (B) along the center of the fixture by removing the **screws** (C) at each end of the **front plate** (B). Bring in the wires from your dimmer and make the connections inside the fixture channel. Secure the **front plate** (B) back onto the fixture using the two **screws** (C). [Fig. 2]



**Fig. 1**



**Fig. 2**



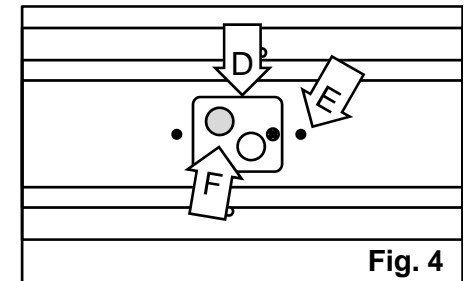
**Fig. 3**

**120V INSTALLATION**

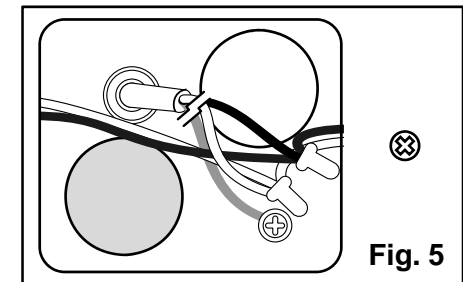
1. Hook the **hangers** into the **round holes** on the ends of the fixture. [Fig. 3]
2. Insert the **plug** into an outlet.

**277V INSTALLATION**

1. Remove the **access plate** (D) by removing the **screw** (E) securing it in place.
2. Punch out one of the **knockouts** (F) on the **access plate** (D). [Fig. 4]
3. Remove the **plug** by cutting the **black wire** and the **white wire** close to the **plug**. Unscrew the **ground screw** to release the **plug's ground wire**. [Fig. 5]
4. Connect the **black supply wire** to the **black fixture wires** using a **wire nut**.
5. Connect the **white supply wire** to the **white fixture wires** using a **wire nut**.
6. Wrap the **supply ground wire** around the **ground fixture screw** and then tighten the screw to secure the wire in place.
7. Secure the **access plate** (D) back onto the fixture using the **screw** (E) that was previously removed. [Fig. 5]
8. Hook the **hangers** into the **round holes** on the ends of the fixture. [Fig. 3]



**Fig. 4**



**Fig. 5**