

DEVONSHIRE® 5' BUBBLEMASSAGE™

DROP-IN BATH WITH AIRJETS K-1357-G

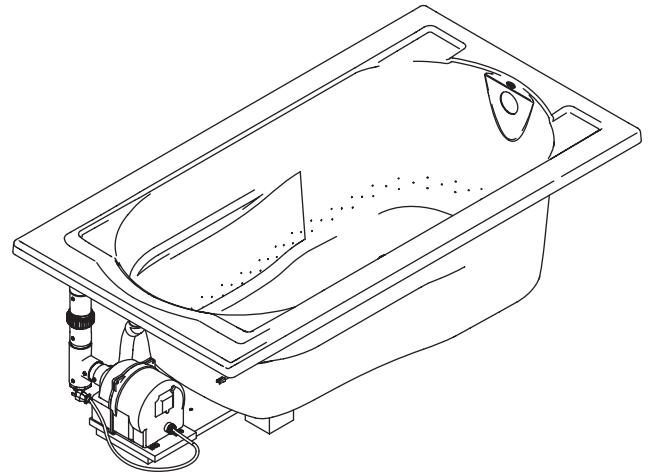
Features

- 120 BubbleMassage™ airjets
- 1 hp blower motor with 300 W heater, and electronic user control
- UL listed
- 60" (152.4 cm) x 32" (81.3 cm) x 20" (50.8 cm)

Codes/Standards Applicable

Specified model meets or exceeds the following:

- ANSI Z124.1
- IAPMO/UPC IGC 171
- Underwriter's Laboratories (UL)



Colors/Finishes

- 0: White
- Other: Refer to Price Book for additional colors/finishes

Accessories:

- CP: Polished Chrome
- PB: Polished Brass
- Other: Refer to Price Book for additional colors/finishes

Specified Model

Model	Description	Colors/Finishes		
K-1357-G	Bath with airjets	<input type="checkbox"/> 0 White	<input type="checkbox"/> Other _____	
Recommended Accessories				
K-7161-AF	Adjustable pop-up drain	<input type="checkbox"/> CP	<input type="checkbox"/> PB	<input type="checkbox"/> Other _____
K-1446	Remote blower installation kit	NA		

Product Specification:

The drop-in bath with airjets shall be 60" (152.4 cm) in length, 32" (81.3 cm) in width, and 20" (50.8 cm) in height. Bath shall be made of acrylic. Bath shall have a 1 hp blower motor with 300 W heater and an electronic user control. The blower motor shall have a grounding-type plug-in cord. Bath shall have 120 airjets. Bath shall be UL listed. The bath with airjets shall be Kohler Model K-1357-G-_____.

DEVONSHIRE® 5' BUBBLEMASSAGE™

Technical Information

Fixture:*	basin area	top area	weight
Bathing well	42" (106.7 cm) x 20" (50.8 cm)	51" (129.5 cm) x 24" (61 cm)	84 lbs (38.1 kg)
To overflow	14" (35.6 cm)	capacity	
		60 gal. (227.1 L)	

* Approximate measurements for comparison only.

Blower motor:	Heater	Voltage	Frequency	Amperage
1 Hp	300 W	120 V	60 Hz	5 A

Included component:	
Drop-in cut-out	58" (147.3 cm) x 30" (76.2 cm)

Required Electrical Service

Dedicated circuit required, protected with Class A Ground-Fault Circuit-Interrupter (GFCI):	
Blower motor:	120 V, 15 A, 60 Hz
Blower motor is supplied with a 24" (61 cm) grounding-type plug-in cord.	

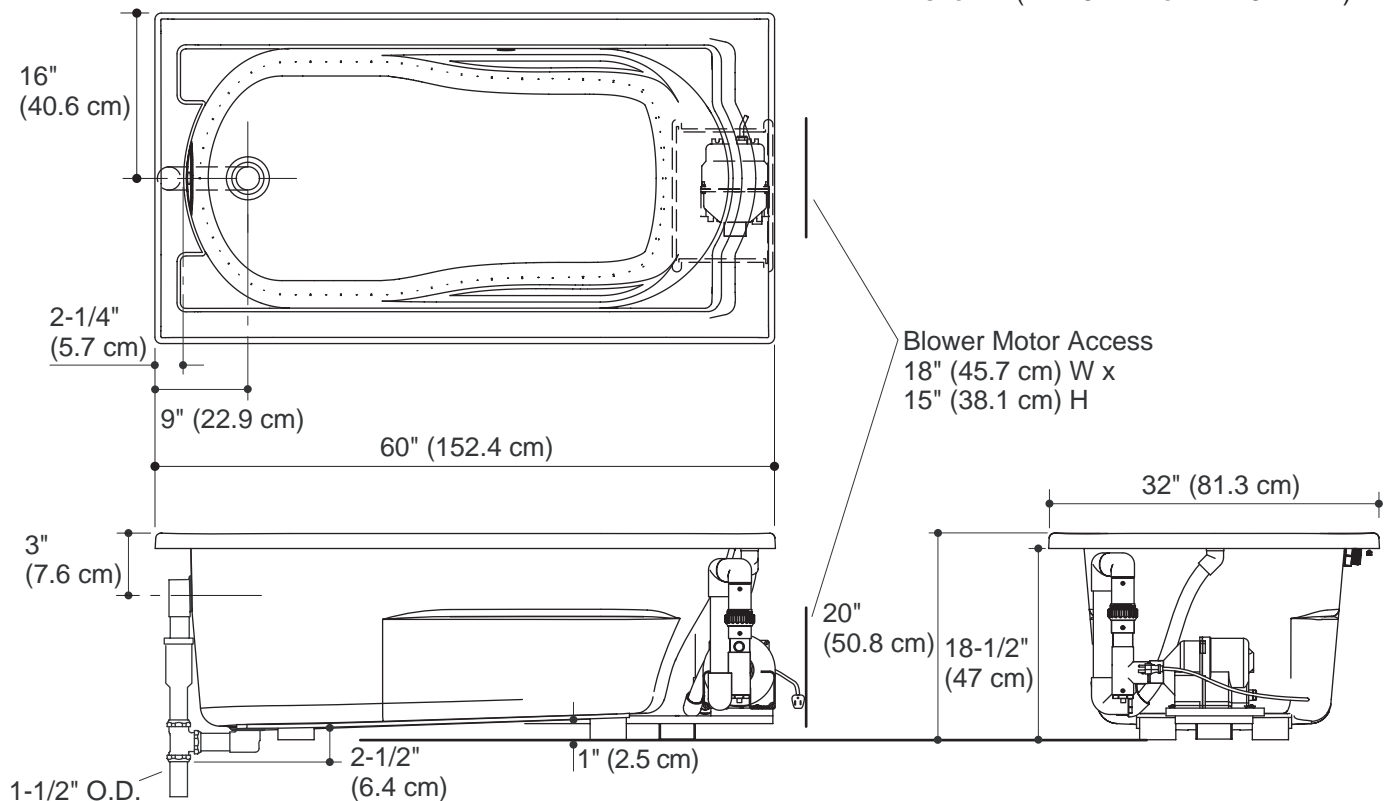
Installation Notes

Install this product according to the installation guide.

Floor support under the bath must provide for a minimum of 80 lbs/square foot (390 kg/square meter).

A blower motor access panel is required.

No change in measurements with drain shown. (K-7161-AF or K-7161M-AF)



Product Diagram

DEVONSHIRE® 5' BUBBLEMASSAGE™ DROP-IN BATH WITH AIRJETS