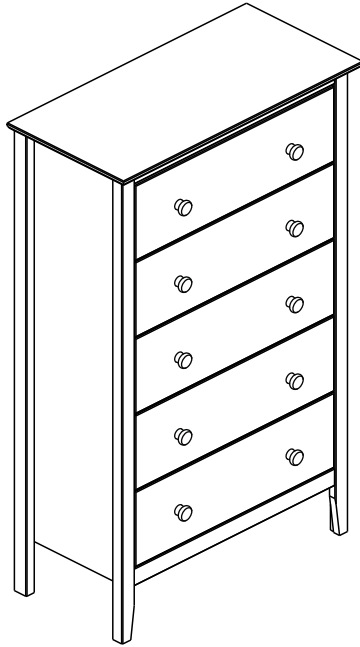


Since 1976

ADEPTUS

**ASSEMBLY INSTRUCTIONS
5 DRAWER CHEST
77214 ESPRESSO FINISH**



CUSTOMER SERVICE:

TOLL FREE 1.888.ADEPTUS (1.888.233.7887)
MON.-FRI. 10 A.M. TO 4 P.M. E. S. T., CLOSED HOLIDAYS

IF YOU CALL, PLEASE HAVE ON HAND:

1. PRODUCT NAME AND STOCK NUMBER
2. WHERE THE UNIT WAS PURCHASED
3. P.O. CODE ON THE BOTTOM OF THIS COVER PAGE OR DATE PURCHASED
4. BOX NUMBER, IF NOTED ON THE SIDE OF THE BOX

PLEASE LEAVE YOUR NAME AND NUMBER AND WE CAN DISCUSS
ANY ISSUES ON OUR CALLBACK TO YOU.

HELPFUL OVERALL:

- SAVE INSTRUCTION SHEETS AND BOX UNTIL YOU ARE SATISFIED WITH THE ASSEMBLY.
- DO NOT GLUE PARTS WHEN ASSEMBLING UNIT, UNLESS YOU HAVE TESTED ASSEMBLY.
- DO NOT TAKE OR SHIP PRODUCT OUT OF STATE UNTIL YOU INSPECT ALL THE PARTS.

SHIPPING REPLACEMENT PARTS:

YOUR RETAILER CAN ALSO SUPPLY PARTS AND ANSWER QUESTIONS.
ANY LONG PARTS SHOULD BE REPLACED AT RETAIL WHEN POSSIBLE.

VISIT WWW.ADEPTUS.COM TO REGISTER YOUR PRODUCT, REQUEST REPLACEMENT PARTS
AND TO SEE THE COMPLETE ADEPTUS PRODUCT LINE.

THANK YOU AND WELCOME TO ADEPTUS!

Many People, One Thought

PROVIDING QUALITY SOLID WOOD FURNITURE AT AN AFFORDABLE PRICE HAS BEEN A GROUP EFFORT. FROM CONCEPT TO PRODUCT DESIGN, MANUFACTURING AND RETAILING, EACH AREA FOCUSES ON THE DETAILS THAT WILL ASSURE YOU A LOW PRICE. BUT NEVER AT THE EXPENSE OF FUNCTION, STYLING, OR GOOD SENSE.

A "READY - TO - ASSEMBLE" ITEM REDUCES TRANSPORTATION AND WAREHOUSING COSTS WHICH HELP YOUR RETAILER KEEP THEIR PRICES REASONABLE. NOW, YOU ARE JOINING "TEAM ADEPTUS" WITH THE FINAL STEP, ASSEMBLY.

• YOU ASSEMBLE, YOU SAVE •

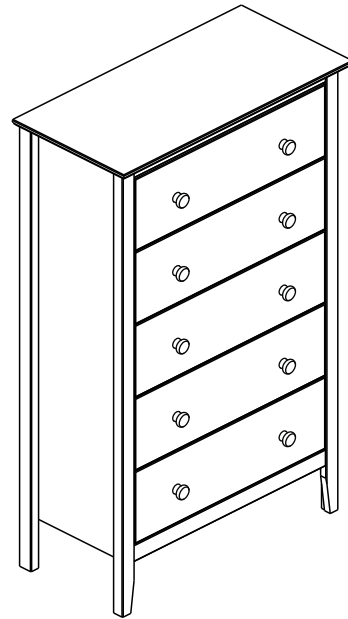
WELCOME TO ADEPTUS!

This is a SOLID WOOD product:

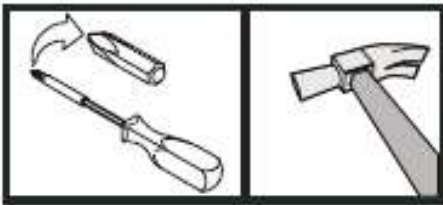
We inspect all wood, and follow guidelines to pass quality inspections. Solid wood furniture has knots, small cracks, and what may look like blemishes. These characteristics are a natural by product of producing furniture from natural material.

We take extra care with our drawer parts:

1. We use real wood drawers sides.
2. The drawer sides are not painted to help protect your clothes from chemical odors and residue.
3. Finely sanded drawer parts eliminate snags when storing your clothes.

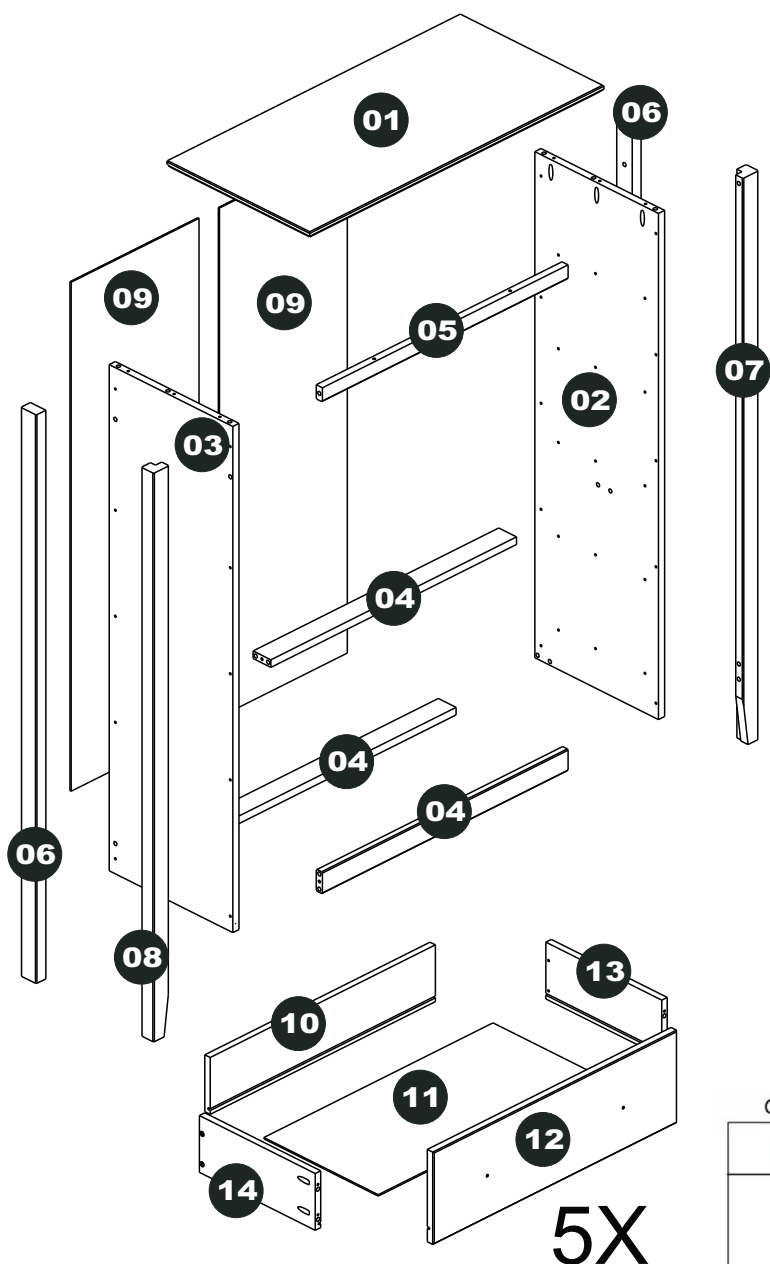


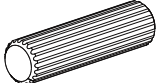


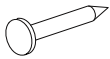

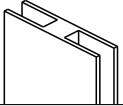


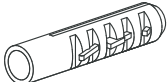
These tools are not supplied by the manufacturer

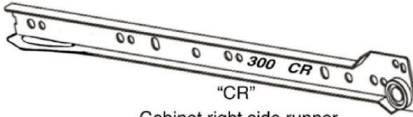
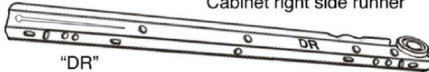
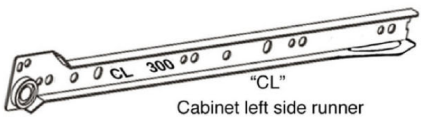
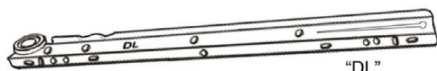




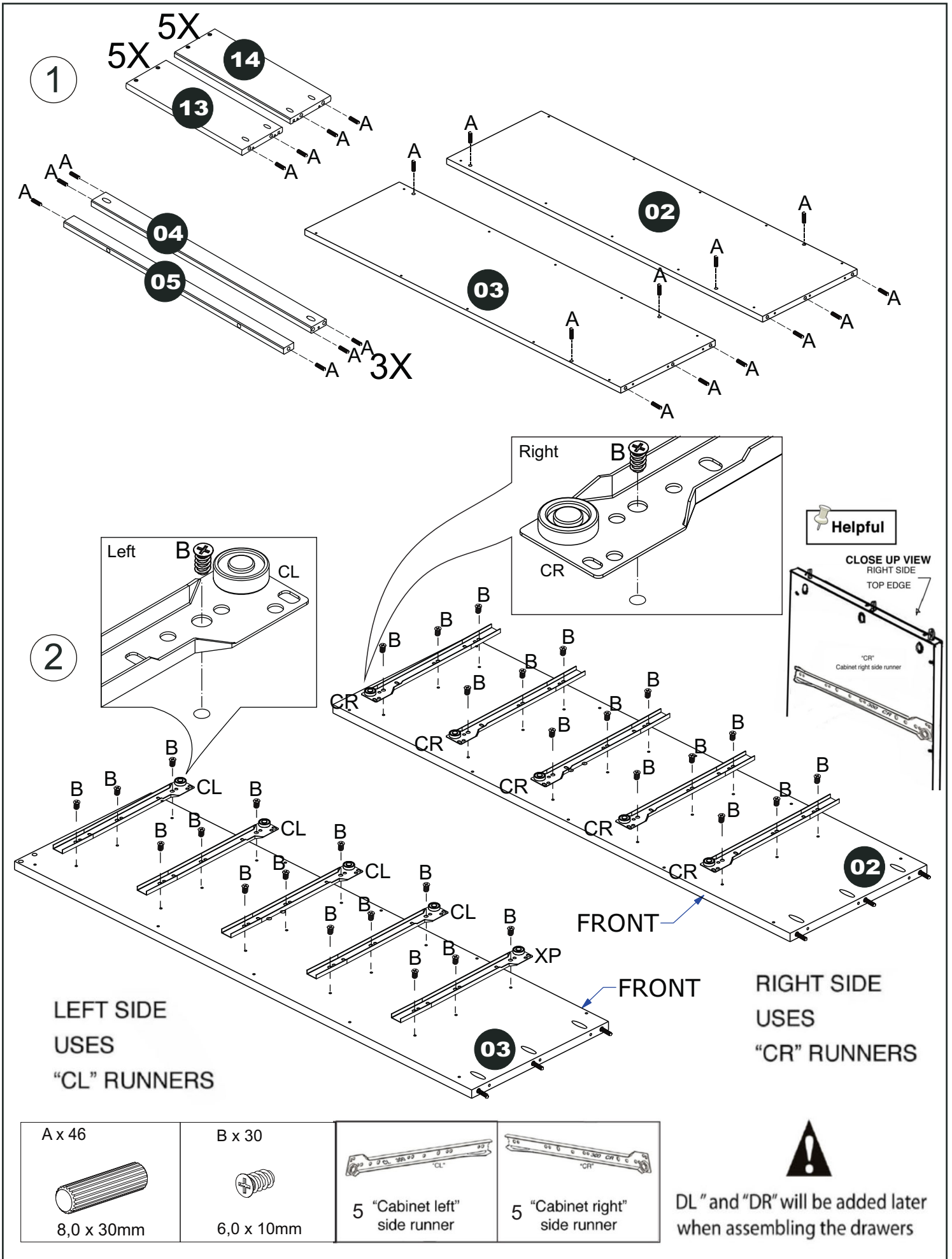
Safety and Care Advice

- Check you have all the components and tools listed on pages 4.
- Remove all fittings from the plastic bags and separate them into their groups.
- Keep children and animals away from the work area, small parts could choke if swallowed.
- Make sure you have enough space to layout the parts before starting.
- Do not stand or put weight on the product, this could cause damage.
- Assemble the item as close to its final position (in the same room) as possible.
- Opened box can be used to protect your floor or counter during assembly.
- Assembly is easier for drawer parts on a counter.
- Parts of the assembly will be easier with 2 people.
- We do not recommend the use of power drill/drivers for inserting screws, as this could damage the unit.
- Only use hand screwdrivers.
- Dispose of all packaging carefully and responsibly.



A x 46  8,0 x 30mm	B x 30  6,0 x 10mm	C x 75  3,5 x 30mm
F x 22 	G x 31  M4 x 25mm	H x 01  1050mm
I x 30  3,0 x 16mm	J x 10 	K x 01 

Code	Part / Desc.	Qty.
D	Right side runner set	5 set
	 "CR" Cabinet right side runner	
	 "DR" Drawer right side runner	
E	Left side runner set	5 set
	 "CL" Cabinet left side runner	
	 "DL" Drawer left side runner	
L x 02		
M x 01		



Helpful

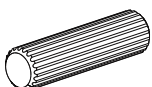
CLOSE UP VIEW
RIGHT SIDE
TOP EDGE

'CR'
Cabinet right side runner

LEFT SIDE
USES
'CL' RUNNERS

RIGHT SIDE
USES
'CR' RUNNERS

A x 46



8,0 x 30mm

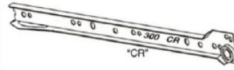
B x 30




6,0 x 10mm



5 "Cabinet left"
side runner

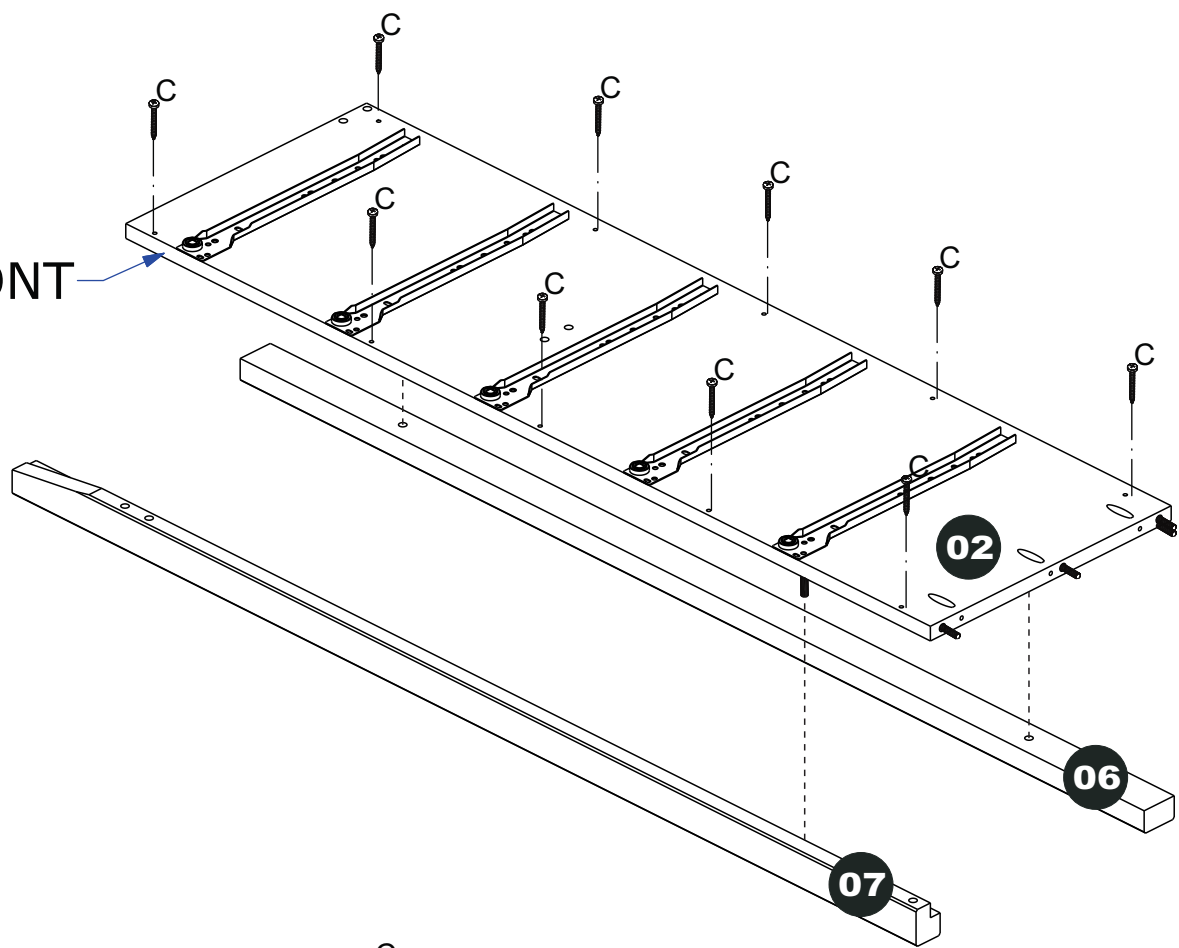


5 "Cabinet right"
side runner

 DL " and "DR" will be added later
when assembling the drawers

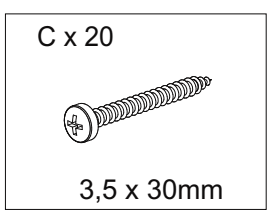
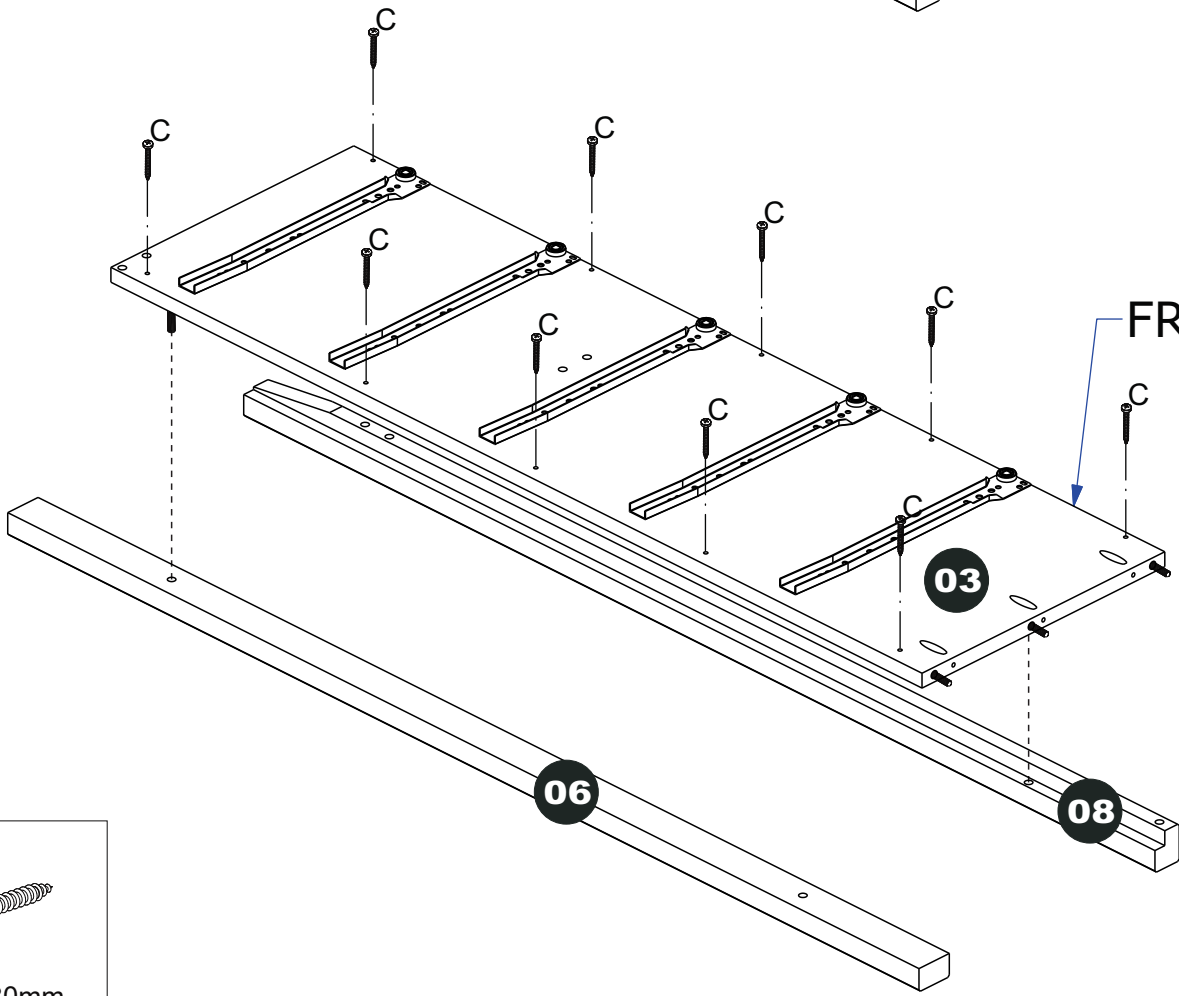
3

FRONT

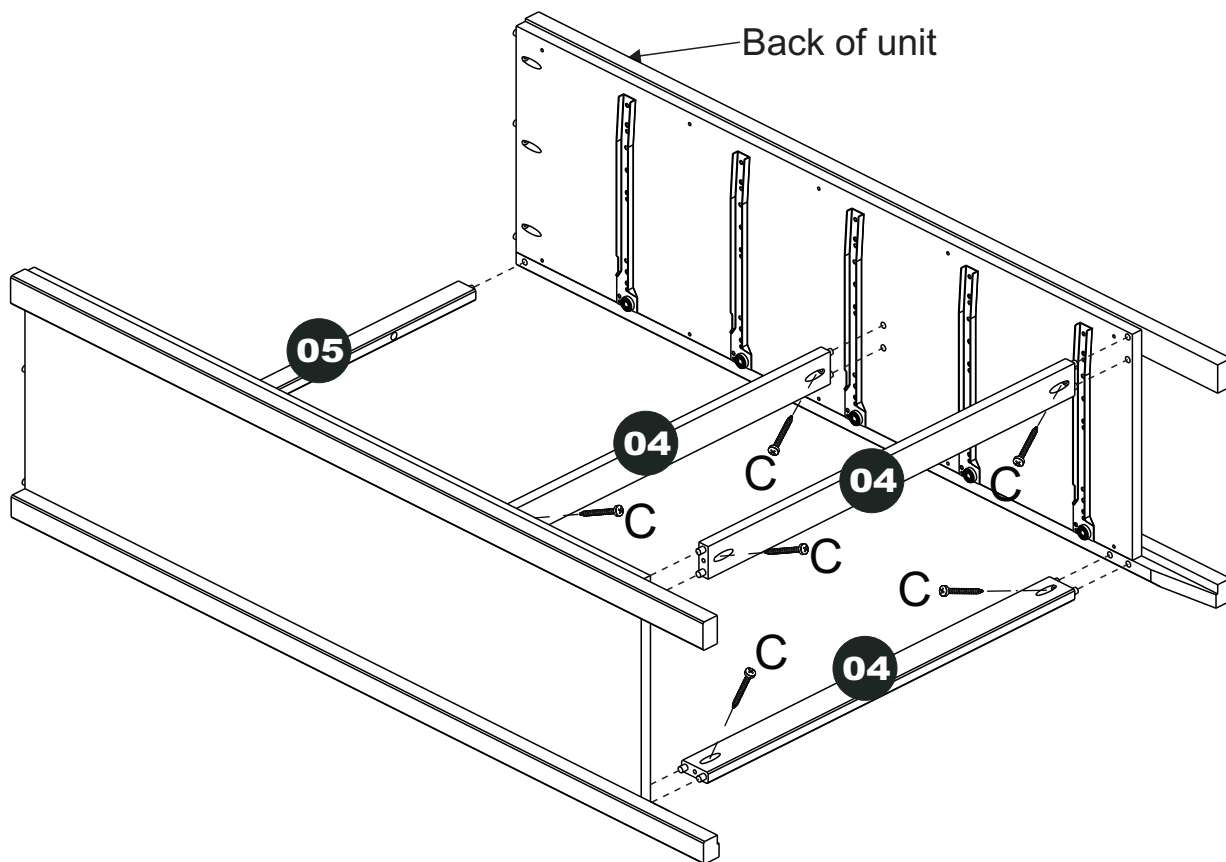


4

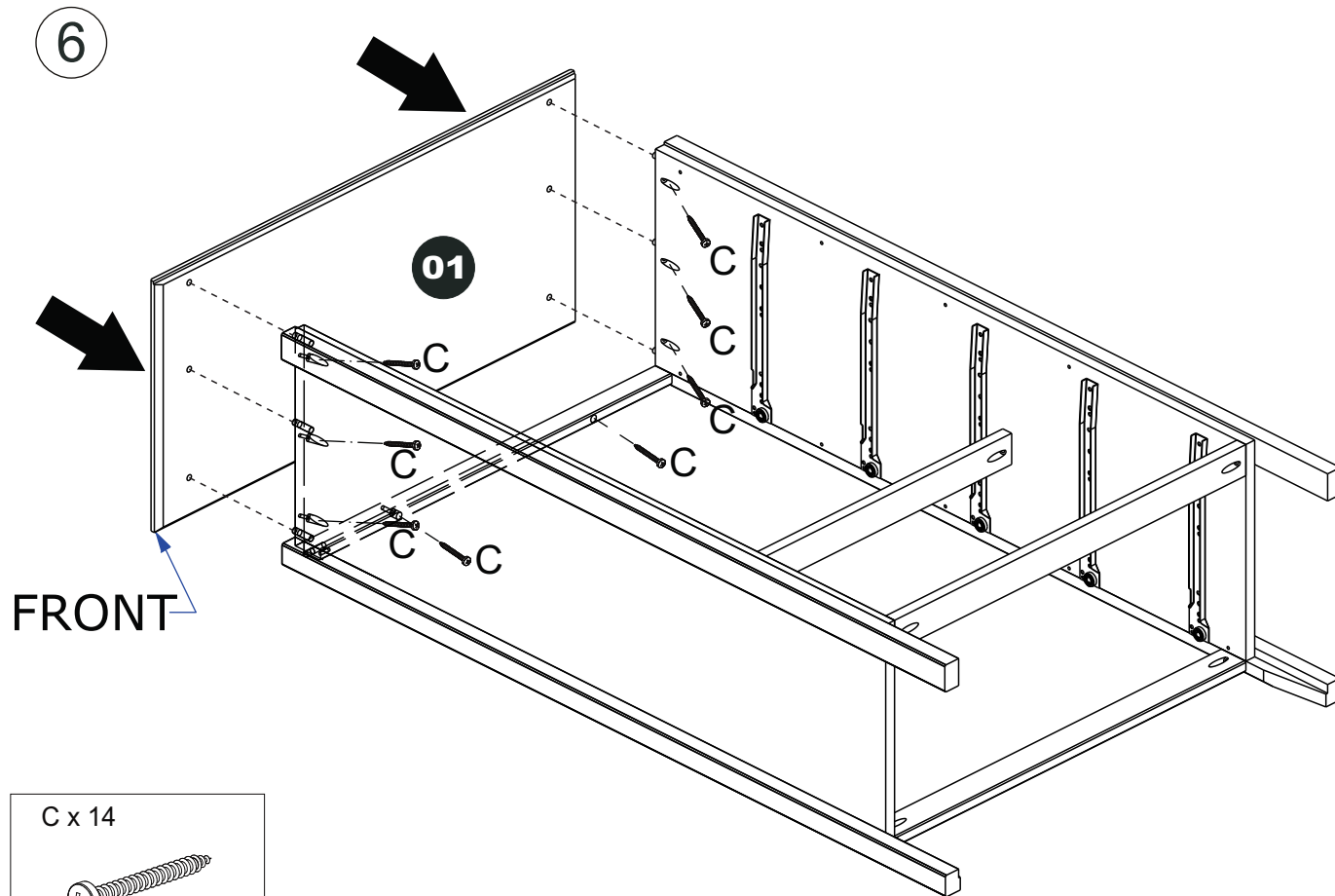
FRONT



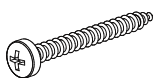
5



6

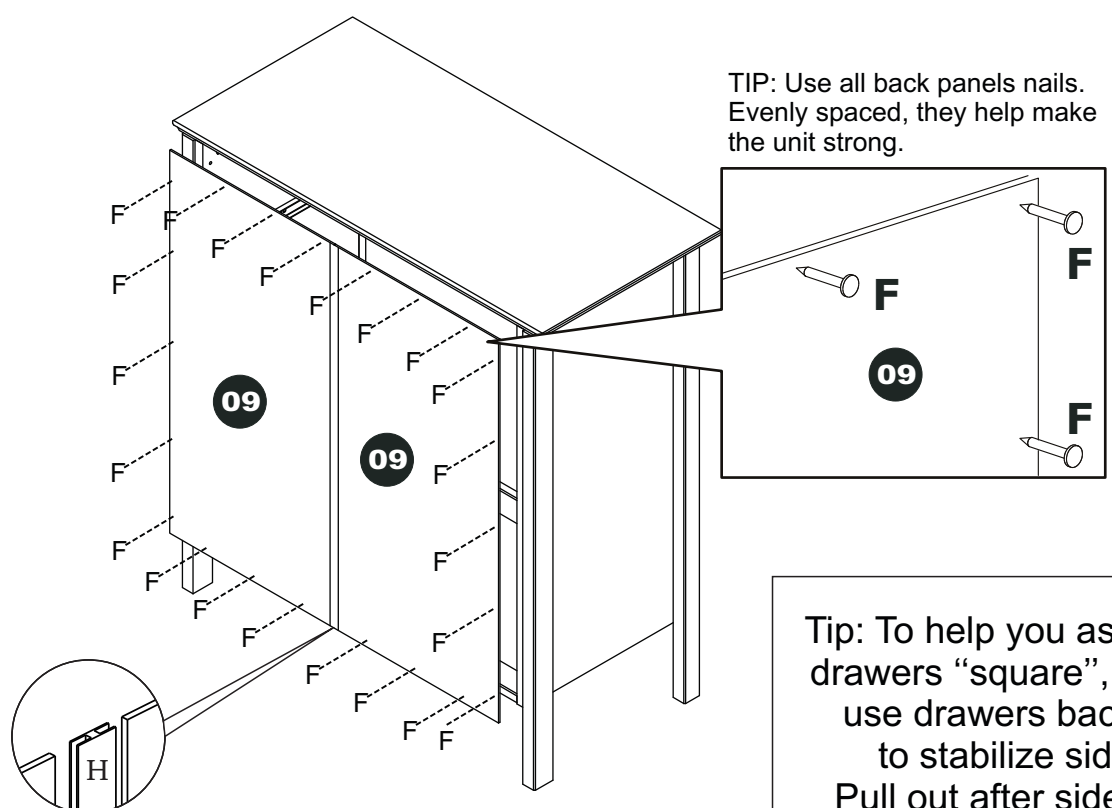


C x 14



3,5 x 30mm

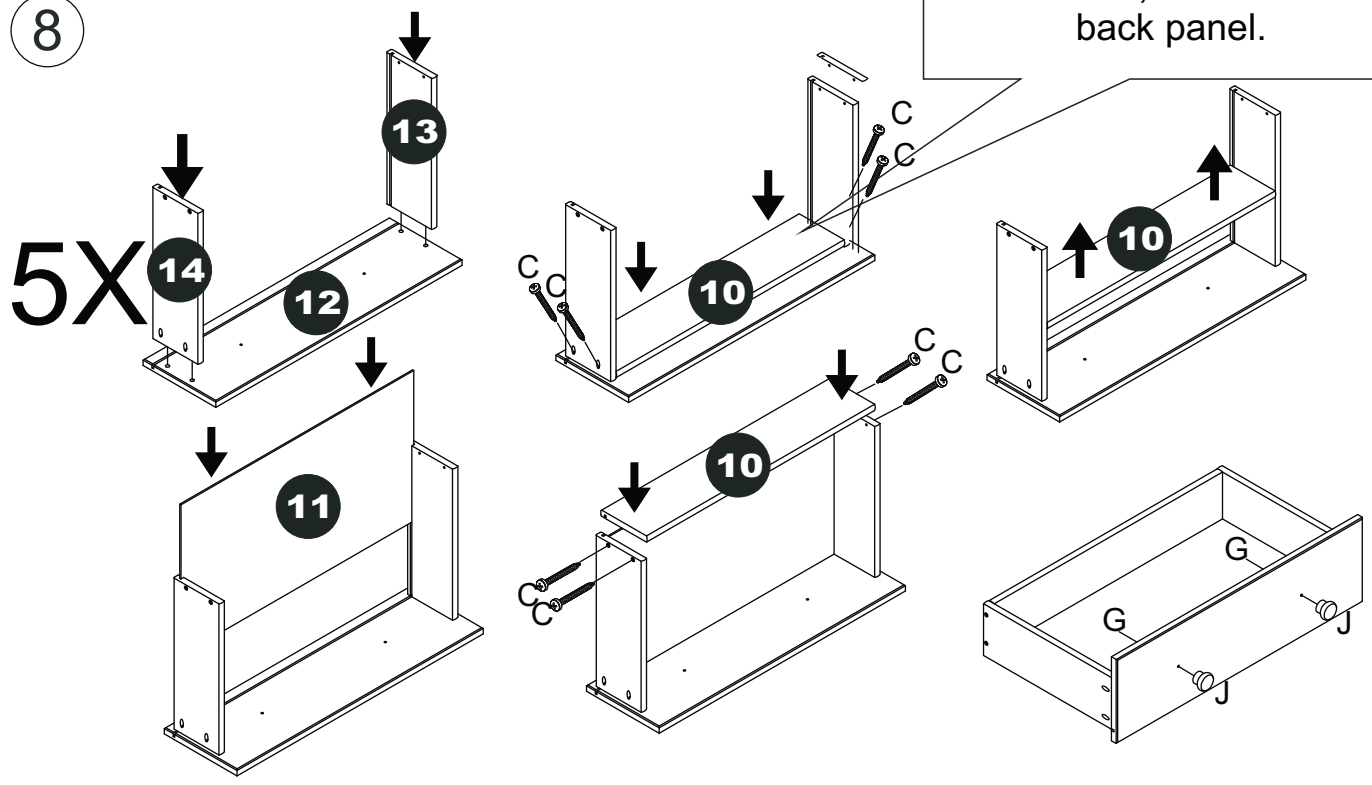
7

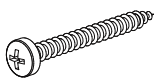
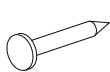


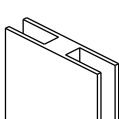


TIP: Use all back panels nails. Evenly spaced, they help make the unit strong.

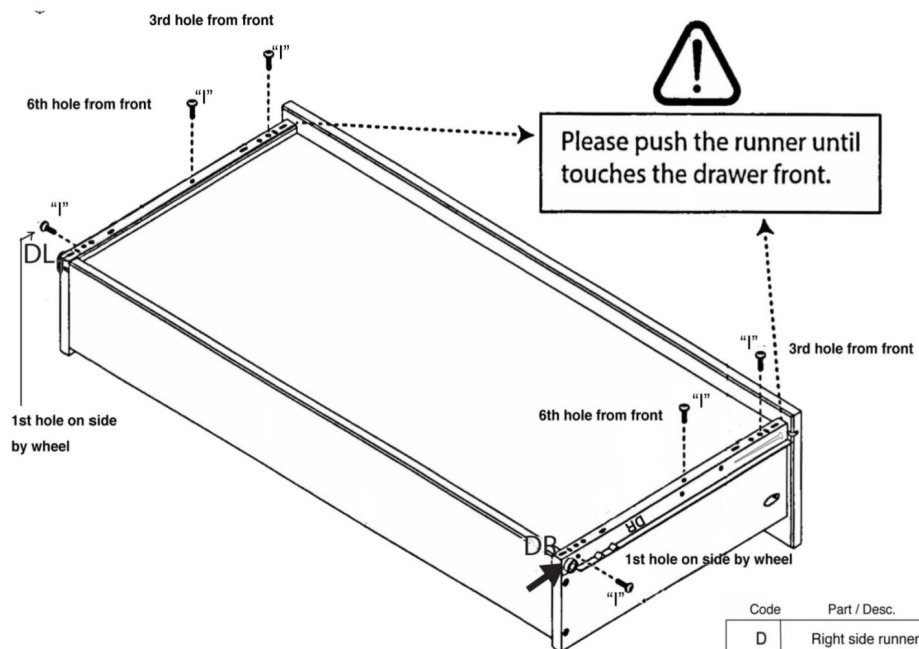
Tip: To help you assemble drawers "square", please use drawers back #10 to stabilize sides. Pull out after sides are attached, and slide in back panel.

8

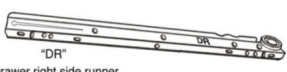
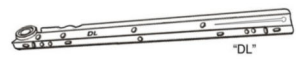


<p>C x 40</p>  <p>3,5 x 30mm</p>	<p>F x 22</p> 	<p>G x 10</p>  <p>M4 x 25mm</p>	<p>J x 10</p> 	<p>H x 01</p>  <p>1050mm</p>
---	---	--	--	---


9



5X

Code	Part / Desc.	Qty.
D	Right side runner set	5
 <p>"DR" Drawer right side runner</p>		
E	Left side runner set	5
 <p>"DL" Drawer left side runner</p>		

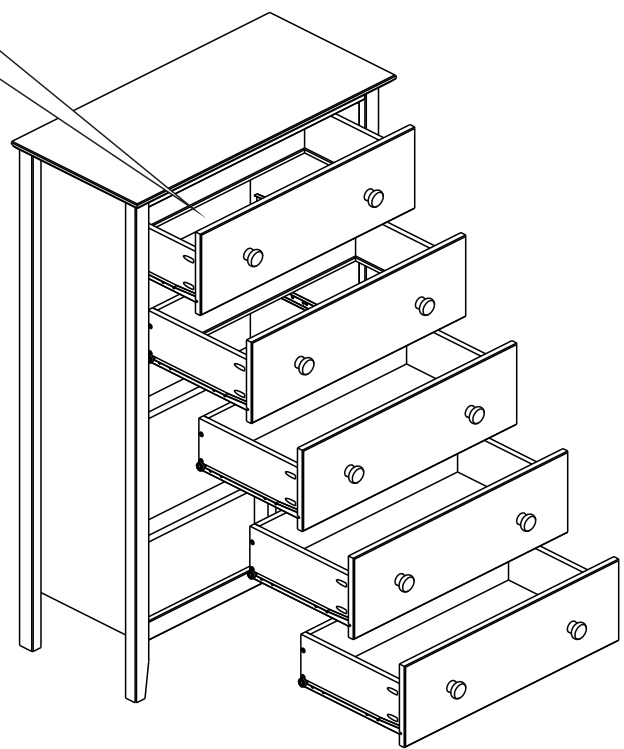
l = 30



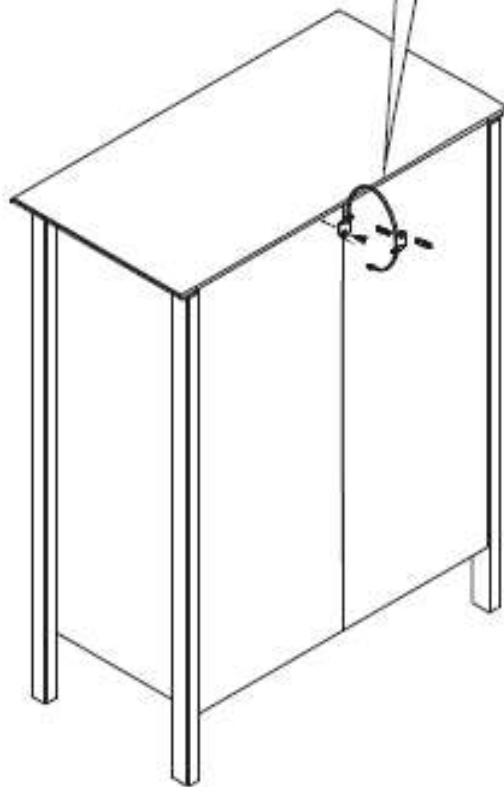
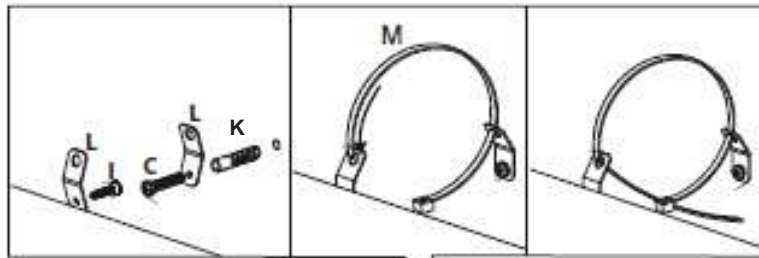
3,0 x 16mm

10

! Label



11



Care and Maintenance

- Only clean using a damp cloth and mild detergent, do not use bleach or abrasive cleaners.
- From time to time check that there are no loose screws on this unit.
- Please recycle box if you can. Go Green!

VISIT WWW.ADEPTUS.COM TO REGISTER YOUR PRODUCT, REQUEST REPLACEMENT PARTS AND TO SEE THE COMPLETE ADEPTUS PRODUCT LINE.

THANK YOU AND WELCOME TO ADEPTUS!