

SUMMIT

REFRIGERATOR - FREEZER

Model CP972SS

Use and Care Guide

**BEFORE USE, PLEASE READ AND FOLLOW
ALL SAFETY RULES AND OPERATING INSTRUCTIONS**

Write the Serial Number here:

**Felix Storch, Inc.
Summit Appliance Division
An ISO 9001:2008 registered company
770 Garrison Avenue
Bronx, NY10474
www.summitappliance.com**

TABLE OF CONTENTS

1. IMPORTANT SAFEGUARDS	2
2. INSTALLATION	2 - 8
2.1 Location	2
2.2 Reversing the Door Swing	3 - 6
2.3 Door Space Requirements.....	7
2.4 Leveling the Unit	7
2.5 Cleaning before Use	7
2.6 Before Using Your Unit.....	7
2.7 Interior Accessories	8
3. LOCATION OF PARTS.....	9
4. OPERATION	10
4.1 Switching On Your Unit	10
4.2 Noise inside the Unit	10
4.3 Tips for Keeping Food in the Unit.....	10
5. CLEANING.....	11
5.1 Defrosting.....	11
5.2 Cleaning the Interior and Exterior of the Unit	11
5.3 Cleaning Tips	11
6. MAINTENANCE	12
6.1 Defrosting.....	12
6.2 Changing the Internal Light	12
6.3 Care When Handling / Moving Your Unit.....	12
6.4 Servicing	12
6.5 Switching Off for Long Periods of Time.....	12
7. TROUBLESHOOTING.....	13
7.1 Normal Phenomena	13
8. TIPS FOR ENERGY SAVING	14
9. DISPOSAL	14
10. LIMITED WARRANTY	15

1. IMPORTANT SAFEGUARDS



Caution: risk of fire

- 1) **WARNING**—Do not use mechanical devices or other means to accelerate the defrosting process, other than those recommended by the manufacturer.
- 2) **WARNING**—Do not damage the refrigerant circuit.
- 3) **WARNING**—Do not use electrical appliances inside the food storage compartments of the appliance, unless they are of the type recommended by the manufacturer.
- 4) **WARNING—DANGER: Risk of child entrapment:** Before you throw away your old refrigerator or freezer;
 - Take off the doors
 - Leave the shelves in place so that children may not easily climb inside.
- 5) The appliance has to be unplugged after use and before carrying out user maintenance on the appliance.
- 6) This appliance can be used by children aged from 8 years and above and persons with reduced physical sensory or mental capabilities or lack of experience and knowledge if they have been given supervision or instruction concerning use of the appliance in a safe way and understand the hazards involved. Children should not play with the appliance. Cleaning and user maintenance should not be performed by children without supervision.
- 7) If the supply cord is damaged, it must be replaced by the manufacturer, its service agent or similarly qualified persons in order to avoid a hazard.
- 8) Only dispose of this appliance according to local regulations regarding its flammable refrigerant and blowing gas. Before you scrap the appliance, please take off the doors to prevent children being trapped inside.
- 9) This appliance is intended to be used in household and similar applications such as
 - staff kitchen areas in shops, offices and other working environments;
 - farm houses and by clients in hotels, motels and other residential type environments;
 - bed and breakfast type environments;
 - catering and similar non-retail applications.
- 10) Do not use an extension cord with this appliance. If the power cord is too short, have a qualified electrician or service technician install an outlet near the appliance. Use of an extension cord can negatively affect the performance of the unit.



IT IS HAZARDOUS FOR ANYONE OTHER THAN AUTHORIZED SERVICE PERSONNEL TO CARRY OUT SERVICING OR REPAIRS WHICH INVOLVE THE REMOVAL OF COVERS.



TO AVOID THE RISK OF AN ELECTRICAL SHOCK DO NOT ATTEMPT REPAIRS YOURSELF.

– **SAVE THESE INSTRUCTIONS** –

2. INSTALLATION

2.1 Location

When selecting a position for your unit you should make sure the floor is flat and firm, and the room is well ventilated. Avoid locating your unit near a heat source, e.g., stove, boiler or radiator. Also avoid direct sunlight as it may increase the electrical consumption. Extremely cold ambient temperatures may also cause the unit not to perform properly. This unit is not designed for use in a garage or outdoor installation. Do not drape any covering over the unit.

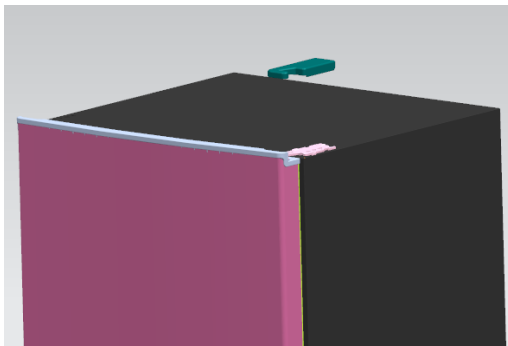
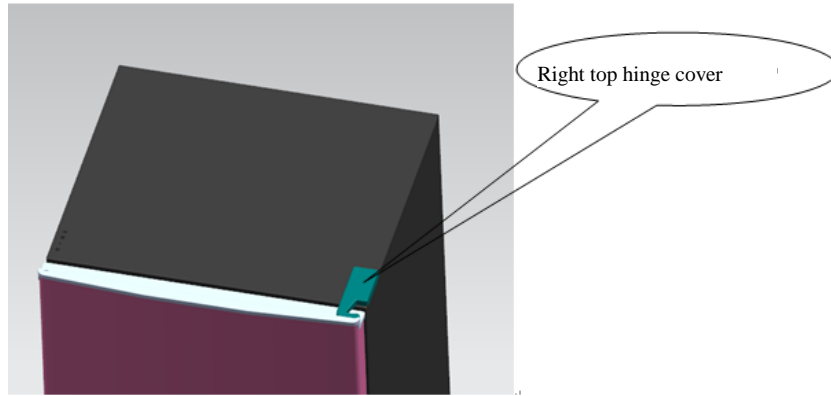
When installing the unit, ensure that 4 inch of free space is left at both sides, 4 inch at the rear and 12 inch at the top of the unit. This will allow cold air to circulate around the unit and improve the efficiency of the cooling process.

2.2 Reversing the Door Swing

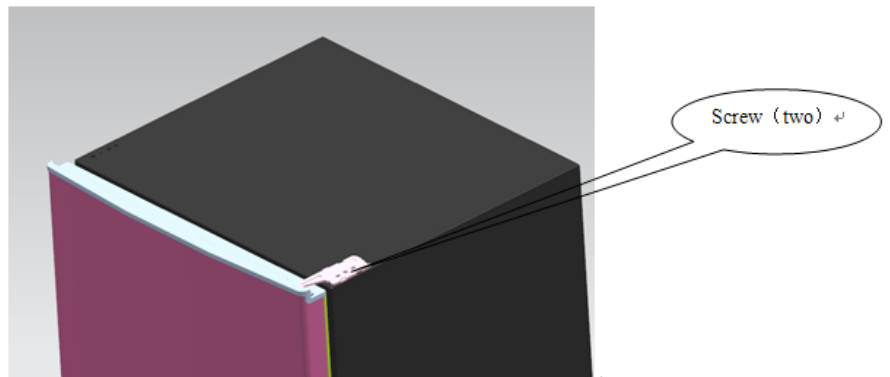
Tools Required: Phillips style screwdriver / Flat-bladed screwdriver / Hexagonal wrench

- Ensure the appliance is unplugged and empty.
- Adjust the two leveling feet to their highest position.
- We recommend you have someone to assist you.

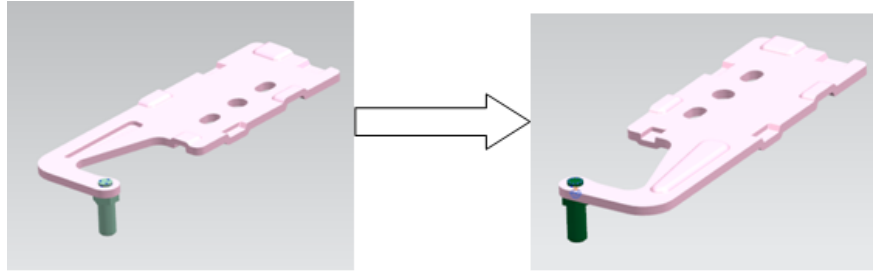
1) Remove the right top hinge cover.



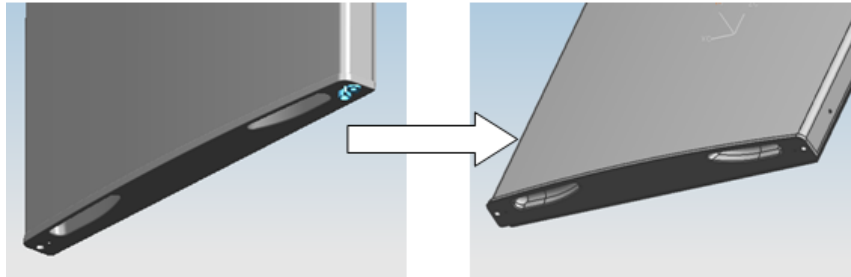
2) Remove the screws holding the top-hinge with a Phillips screwdriver.



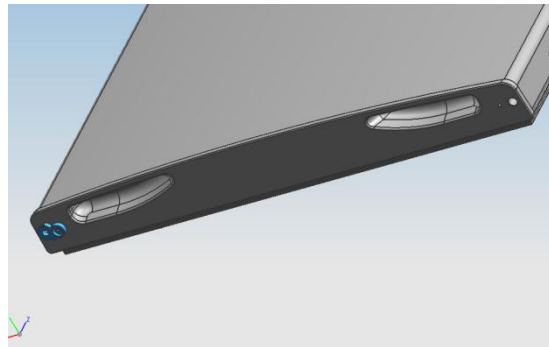
- 3) Move the top-hinge and the top-door limit block and the door bearing bush to the other side.
A. Remove the nut with sleeve. Take off the washer then move the axis to the other side and fix in place.



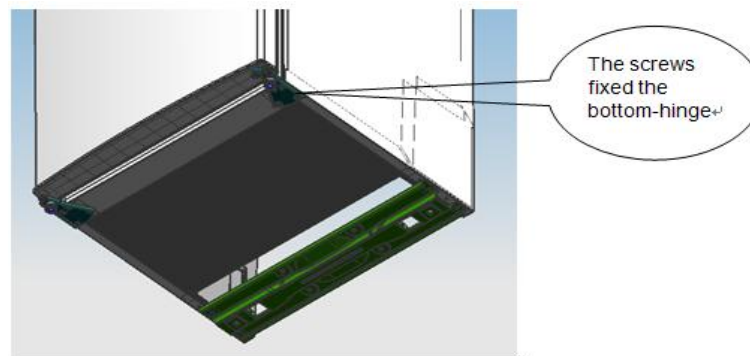
- B. Remove the door limit block



- C. Find the other door limit block, with screw mounting to the door

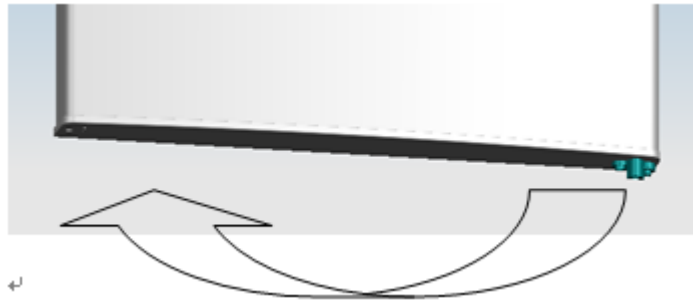


- 4) Disassemble the screws holding the bottom-hinge with a Phillips screwdriver.

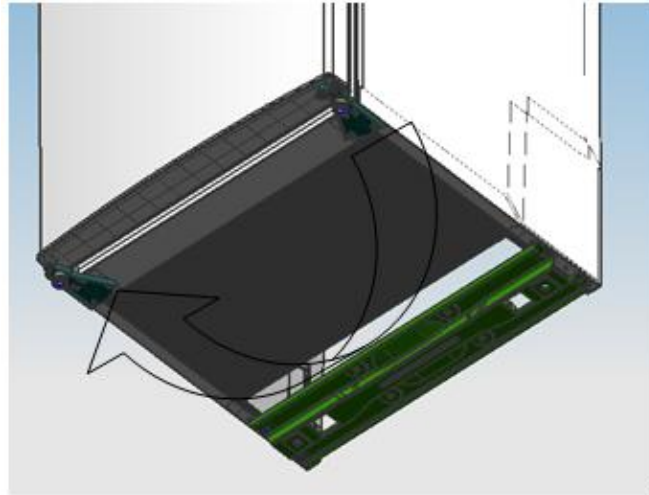


Note: The incline angle of the refrigerator-freezer must be less than 45°.

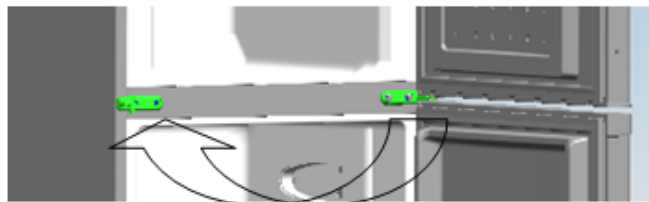
5) Replace the bottom door bearing bush and the limit block.



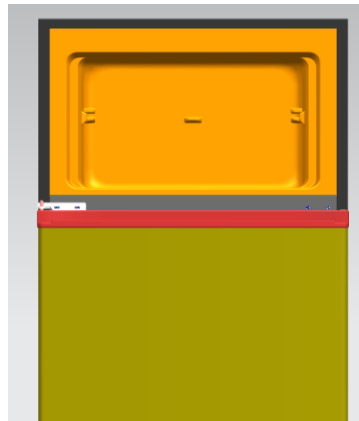
6) Replace the bottom hinge to the other side, then fix it with screws.



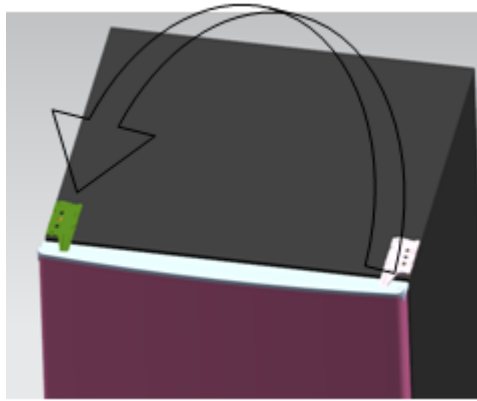
7) Replace the mid-hinge.



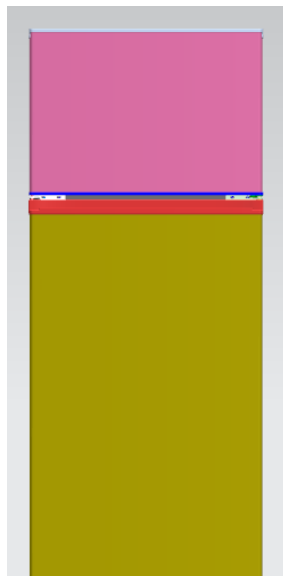
8) Set the bottom door right position, fix the mid-hinge.



9) Replace the top-hinge.

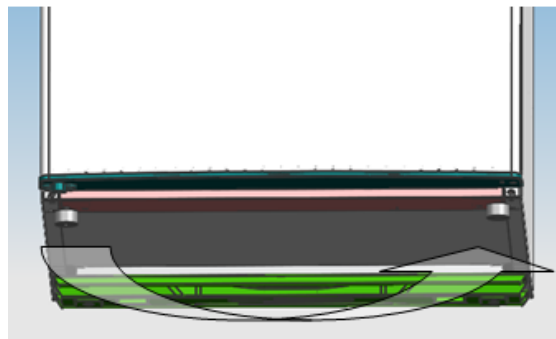


10) Set the upper door into the right position, fix the top-hinge and hinge cover.



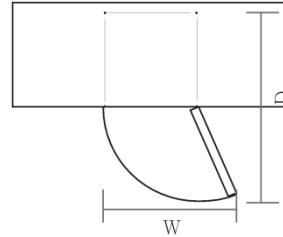
11) Install the four screw caps and two catches to the corresponding positions.

12) Replace the leveler to the other side and adjust it to make sure the cabinet is level.



2.3 Door Space Requirements

The unit's door must be able to open fully as shown.
W×D ≥ 35.5 X 41.4 inch

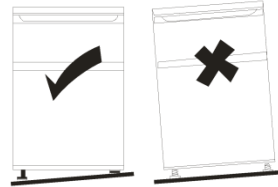


2.4 Leveling the Unit

To do this, adjust the two leveling feet at the front of the unit. If the unit is not level, the door and magnetic seal alignments will not be covered properly.

Make sure that the foot touches the ground before use.

Look down from the top to check that unit is vertical. Adjust leveling feet as necessary.



2.5 Cleaning before Use

Wipe the inside of the unit with a weak solution of bicarbonate soda. Then rinse with warm water using a wrung-out sponge or cloth. Wash the shelves and crisper in warm soapy water and dry completely before replacing in the unit. Clean the exterior of the unit with a damp cloth.

If you require more information, refer to the *Cleaning* section.

2.6 Before Using Your Unit

To ensure safe usage, do not damage the power cord under any circumstances. Do not use when the power cord is damaged or the plug is worn.

To prevent damage to the product and avoid accidents involving fire, do not put flammable, explosive, volatile or highly corrosive items in the refrigerator.

To avoid fires, do not place flammable items near the refrigerator.

This product is a household refrigerator and is only suitable for the storage of foods. According to national standards, household refrigerators must not be used for other purposes, such as storage of blood, drugs or biological products.

Do not place items such as bottled or sealed containers of fluids such as beer and other beverages in the freezer to prevent bursting of containers.

Before placing any food in your unit, turn it on and wait for 24 hours, to make sure it is working properly and to allow it time to fall to the correct temperature. Your unit should not be overfilled.



- **Before Plugging in**

Be sure you have a socket that is compatible with the plug supplied with the unit.

- **Before Turning On!**

Do not turn on until two hours after moving the unit.

2.7 Interior Accessories

Various glass or plastic storage shelves are included with your appliance – different models have different combinations.

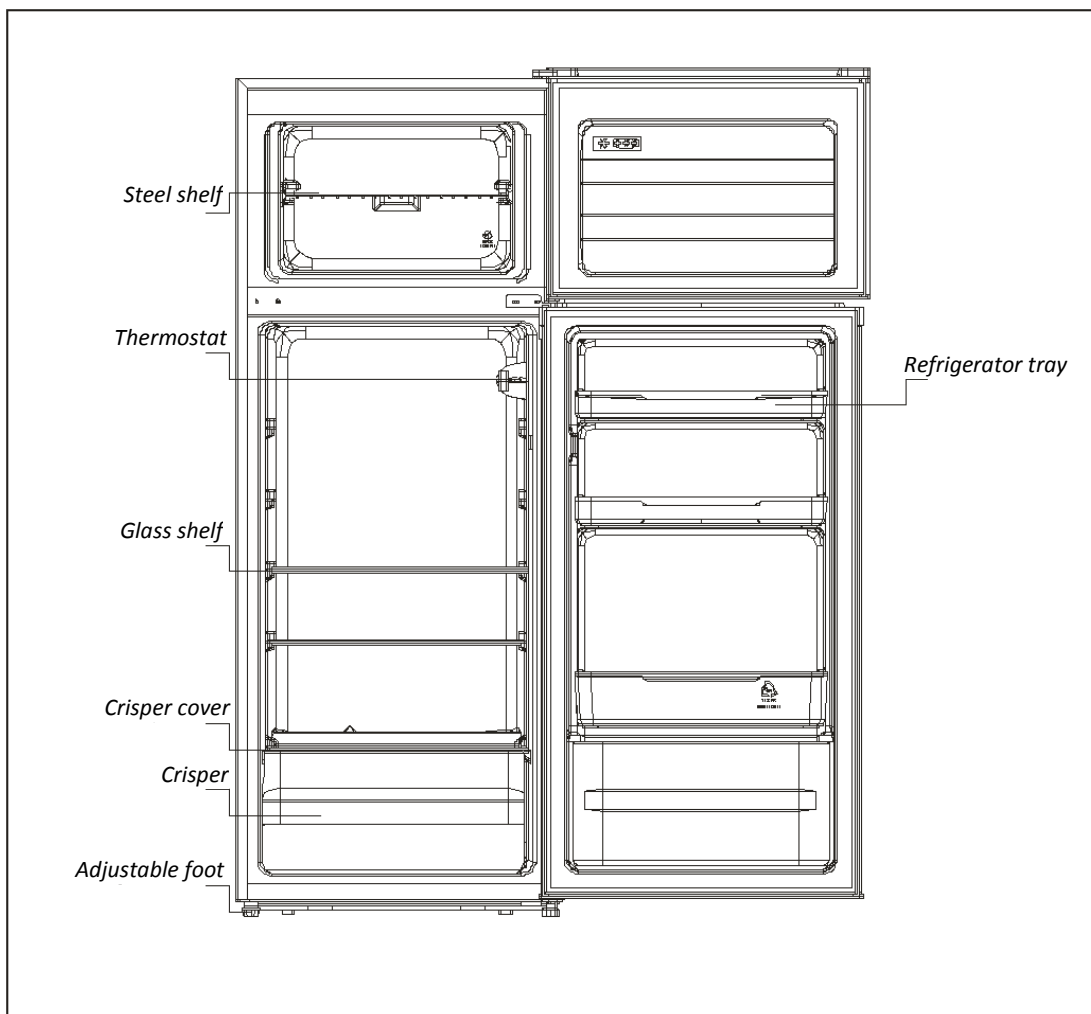
You should always slide one of the full-size glass storage shelves into the lowest set of guides, above the fruit and vegetable container (crisper), and keep it in this position. To do this, pull the storage shelf forward until it can be swiveled upwards or downwards and removed.



Do the same in reverse to insert the shelf at a different height.

In order to make the most of the volume of the fresh food storage compartment and frozen-food storage compartment, the user can remove one or more shelves or drawers from the appliance, according to your requirements.

3. LOCATION OF PARTS



*All images in this instruction manual are for indication only; please refer to your individual unit for details.

4. OPERATION

4.1 Switching On Your Unit

- The temperature selector knob is located on the right hand wall of the refrigerator interior.
 - Setting “Off” : Unit Off
 - Setting “Min” : Less Cool Temperature
 - Setting “Med” : Normal Operation (adequate for most situations)
 - Setting “Max” : Coolest Temperature
- During high ambient temperatures, e.g., on hot summer days, it may be necessary to set the thermostat to the Coolest setting (position “Max”). This may cause the compressor to run continuously in order to maintain a low temperature in the cabinet. When you first install your refrigerator, set the thermostat knob at “Med”.
- Give your refrigerator time to cool down completely before adding food. It is best to wait 24 hours before adding food. The thermostat knob controls the temperature. When the thermostat control knob is set to OFF, the refrigerator will not be running.

4.2 Noise Inside the Unit

You may notice that your unit makes some unusual noises. Most of these are perfectly normal, but you should be aware of them.

These noises are caused by the circulation of the refrigerant liquid in the cooling system. It has become more pronounced since the introduction of CFC-free gases. This is not a fault and will not affect the performance of your unit. This is the compressor motor working, as it pumps the refrigerant around the system.

4.3 Tips for Keeping Food in the Unit

- Cooked meats/fish should always be stored on a shelf above raw meats/fish to avoid bacterial transfer. Keep raw meats/fish in a container that is large enough to collect juices and cover it properly. Place the container on the lowest shelf.
- Leave space around your food to allow air to circulate inside the unit. Ensure all parts of the unit are kept cool.
- To prevent transfer of flavors and drying out, pack or cover the food separately. Fruits and vegetables do not need to be wrapped.
- Always let pre-cooked food cool down before you put it into the unit. This will help to maintain the internal temperature of the unit.
- To prevent cold air escaping from the unit, try to limit the number of times you open the door. We recommend that you only open the door when you need to put food in or take food out.

5. CLEANING

5.1 Cleaning the Interior and Exterior of the Unit

- Remove all the shelves and the crisper. To remove the crisper, first remove the lower door shelf.
- Wipe the inside of the unit with a weak solution of bicarbonate of soda and then rinse with warm water using a wrung-out sponge or cloth. Wipe completely dry before replacing the shelves and crisper.
- To clean the stainless steel doors, use a product specifically made to clean this material. Otherwise, use a slightly damp, soft cloth and wipe along the grain.
- Use a damp cloth to clean the exterior cabinet, then wipe with a standard furniture polish. Make sure the door is closed to avoid the polish getting onto the magnetic door seal or inside the unit.
- The grille of the condenser at the back of the unit and the adjacent components can be vacuumed using a soft brush attachment.

5.2 Cleaning Tips

Condensation may appear on the outside of the unit. This may be due to a change in room temperature. Wipe off any moisture residue. If the problem continues, please contact a qualified technician for assistance.

6. MAINTENANCE

6.1 Defrosting

This appliance combines a manual defrost freezer compartment and an automatic defrost refrigerator compartment. The refrigerator compartment defrosts itself, but when frost builds to ¼ inch in the freezer compartment, you should defrost it carefully according to this procedure:

1. Remove contents from the freezer, taking care that frozen items do not begin to thaw. Set the temperature selector knob to "Off".
2. Unplug the appliance. Defrosting is accelerated if the freezer door is left open.
3. Use a sponge or toweling to remove water and melting ice from the freezer floor. After the frost or ice has melted, dry the interior of the freezer compartment thoroughly.
4. Restart the appliance by plugging it in and turning the thermostat to the desired position. Once it is cold, return contents to the freezer compartment.

CAUTION: Do not use boiling water or an electric device such as a hair dryer to help speed up the defrosting process because this could damage the plastic parts of the unit. In addition, *never use a sharp or metallic instrument to remove frost as* it may damage the cooling coils and will void the warranty. We recommend using a plastic scraper.

6.2 Changing the Internal Light

Lamp replacement should only be performed by a professional.

6.3 Care When Handling / Moving Your Unit

Hold the unit around its sides or base when moving it. Under no circumstances should it be lifted by holding the edges of the top surface.

6.4 Servicing

The unit should be serviced by an authorized engineer and only genuine spare parts should be used. Under no circumstances should you attempt to repair the unit yourself. Repairs carried out by inexperienced persons may cause injury or serious malfunction. Contact a qualified technician.

6.5 Switching Off for Long Periods of Time

When the unit will not be in use for a long period of time, disconnect it from the power supply, empty all food and clean the appliance, leaving the doors ajar to prevent unpleasant smells.

7. TROUBLESHOOTING

The following simple issues can be handled by the user.

Unit does not operate	Is the refrigerator plugged in and connected to power? Low voltage Power failure or tripped circuit
Unit does not cool sufficiently	Have the doors been opened too often, or have they been left open for a while? If so, it will take time for the refrigerator-freezer to reach its set temperature Has the airflow at the rear of the appliance been reduced due to insufficient clearance?
Odor	Foods with a strong odor should be carefully wrapped Have foods gone bad? Does the interior need to be cleaned?
Compressor seems to run continuously	It is normal that refrigerator operates for a longer time in summer when the ambient temperature is higher Do not put too much food in the refrigerator at one time Do not put foods inside until they are cooled Frequent opening of refrigerator door
Internal light does not work	Is the refrigerator connected to power? Is the light damaged?
Doors cannot be properly closed	Is door closing blocked by food packages? Too much food inside Try tilting the refrigerator
Loud noises	Is the refrigerator level? Are the refrigerator parts properly positioned?

Requesting Assistance or Service:

If the problem is not due to one of the items listed above, contact the dealer or authorized service company. You can also call our SUMMIT® Customer Service line at **1-800-932-4267** weekdays from 8:30 AM to 5:00PM (ET).

7.1 Normal phenomena:

1. The refrigerator enclosure may emit heat during operation, especially in summer. This is caused by radiation from the condenser, and is a normal phenomenon.
2. Condensation may be detected on the exterior surface and door seals of the refrigerator when the ambient humidity is greater than usual. This is normal, and the condensation can be wiped away with a dry towel.
3. A buzzing sound will be generated by the running compressor, especially when starting up or shutting down.
4. A gentle trickling sound can be caused by coolant flowing through the pipes.


8. TIPS FOR ENERGY SAVING

- Try not to open the doors too often, especially when the weather is damp and hot. Once you open a door, close it as soon as possible.
- Every now and then check if the appliance is sufficiently ventilated (adequate air circulation behind the appliance).
- During normal temperature conditions, the thermostat should be placed at the middle setting.
- Before loading the appliance with packages of fresh food, make sure they are cooled to ambient temperature.
- Layers of ice and frost increase energy consumption, so defrost the freezer as soon as the layer is ¼-inch thick.
- If there is an outer condenser, the rear wall should be always kept free of dust or other impurities.
- The appliance should be located in the coolest area of the room, away from heat-producing appliances or heating ducts, and out of direct sunlight.
- Let hot foods cool to room temperature before placing in the appliance. Overloading the appliance forces the compressor to run longer. Foods that freeze too slowly may lose quality or spoil.
- Be sure to wrap foods properly, and wipe containers dry before placing them in the appliance. This cuts down on frost build-up inside the appliance.
- Shelves and storage bins should not be lined with aluminum foil, wax paper or paper toweling. Liners interfere with cold air circulation, making the appliance less efficient.
- Organize and label food to reduce door openings and extended searches. Remove as many items as needed at one time, and close the door as soon as possible.

9. DISPOSAL

Old units still have some residual value. An environmentally friendly method of disposal will ensure that valuable raw materials can be recovered and used again. Insulation materials and the refrigerant used in your unit require special disposal procedures. Ensure that none of the pipes on the back of the unit are damaged prior to disposal. Up-to-date information concerning options of disposing of your old unit and packaging from the new one can be obtained from your local sanitation office.

When disposing of an old unit, break off any old locks or latches and remove the door as a safeguard.

	<p>Correct Disposal of this product</p> <p>This marking indicates that this product should not be disposed of with other household waste. To prevent possible harm to the environment or human health from uncontrolled waste disposal, recycle it responsibly to promote the sustainable reuse of material resources. To return your used device, please contact the retailer where the product was purchased. He can take this product for environmentally safe recycling.</p>
---	---

For more information, please contact local authorities or the retailer where you purchased the product.

10. LIMITED WARRANTY

ONE-YEAR LIMITED WARRANTY

Within the 48 contiguous United States, for one year from the date of purchase, when this appliance is operated and maintained according to instructions attached to or furnished with the product, warrantor will pay for factory-specified parts and repair labor to correct defects in materials or workmanship. Service must be provided by a designated service company. Outside the 48 states, all parts are warranted for one year from manufacturing defects. Plastic parts, shelves and cabinets are warranted to be manufactured to commercially acceptable standards, and are not covered from damage during handling or breakage.

5-YEAR COMPRESSOR WARRANTY

1. The compressor is covered for 5 years.
2. Replacement does not include labor.

ITEMS WARRANTOR WILL NOT PAY FOR:

1. Service calls to correct the installation of your appliance, to instruct you how to use your appliance, to replace or repair fuses or to correct wiring or plumbing.
2. Service calls to repair or replace appliance light bulbs or broken shelves. Consumable parts (such as filters) are excluded from warranty coverage.
3. Damage resulting from accident, alteration, misuse, abuse, fire, flood, acts of God, improper installation, installation not in accordance with electrical or plumbing codes, or use of products not approved by warrantor.
4. Replacement parts or repair labor costs for units operated outside the United States.
5. Repairs to parts or systems resulting from unauthorized modifications made to the appliance.
6. The removal and reinstallation of your appliance if it is installed in an inaccessible location or is not installed in accordance with published installation instructions.

DISCLAIMER OF IMPLIED WARRANTIES – LIMITATION OF REMEDIES

CUSTOMER'S SOLE AND EXCLUSIVE REMEDY UNDER THIS LIMITED WARRANTY SHALL BE PRODUCT REPAIR AS PROVIDED HEREIN. IMPLIED WARRANTIES, INCLUDING WARRANTIES OF MERCHANTABILITY OR FITNESS FOR A PARTICULAR PURPOSE, ARE LIMITED TO ONE YEAR. WARRANTOR SHALL NOT BE LIABLE FOR INCIDENTAL OR CONSEQUENTIAL DAMAGES. SOME STATES DO NOT ALLOW THE EXCLUSION OR LIMITATION OF INCIDENTAL OR CONSEQUENTIAL DAMAGES, OR LIMITATIONS ON THE DURATION OF IMPLIED WARRANTIES OF MERCHANTABILITY OR FITNESS, SO THESE EXCLUSIONS OR LIMITATIONS MAY NOT APPLY TO YOU. THIS WARRANTY GIVES YOU SPECIFIC LEGAL RIGHTS AND YOU MAY ALSO HAVE OTHER RIGHTS, WHICH VARY FROM STATE TO STATE.

WARNING! This product may contain chemicals known to the state of California to cause cancer or birth defects or other reproductive harm. For more information, visit: www.summitappliance.com/prop65

Chemicals known by the manufacturer to be present in this product in concentrations higher than threshold limits: NONE.

FELIX STORCH, INC.
770 Garrison Avenue
Bronx, NY 10474
Phone: (718) 893-3900
Fax: (844) 478-8799
www.summitappliance.com

The logo for Summit Appliance, featuring the word "SUMMIT" in a bold, blocky, sans-serif font. The letters are black with a white outline, and the "I" is slightly taller than the other letters.

For parts and accessory ordering,
troubleshooting and helpful hints, visit:
www.summitappliance.com/support