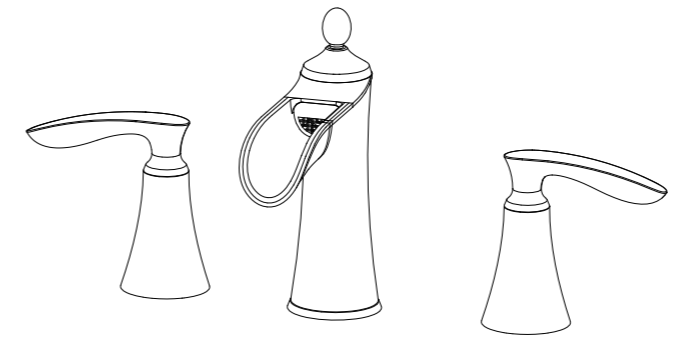


NO.	PART NAME
1	Handle assembly
2	Lock nut
3	O-ring
4	Water valve assembly
5	Gasket assembly
6	Lock nut
7	Screw
8	Clamp spring
9	Spout
10	Aerator
11	Base
12	O-ring
13	Flow restricter
14	Screw
15	Flexible hose
16	Plastic lock ring
17	Metal washer
18	Allen key
19	Lock nut
20	Flexible hose



**TWO HANDLE LAVATORY FAUCET**

The product is CUPC, NSF-61, AB1953, WATERSENSE and ADA certified.  
Original certification model code: 1B467KV7  
ASME A112.18.1/CSA B125.1

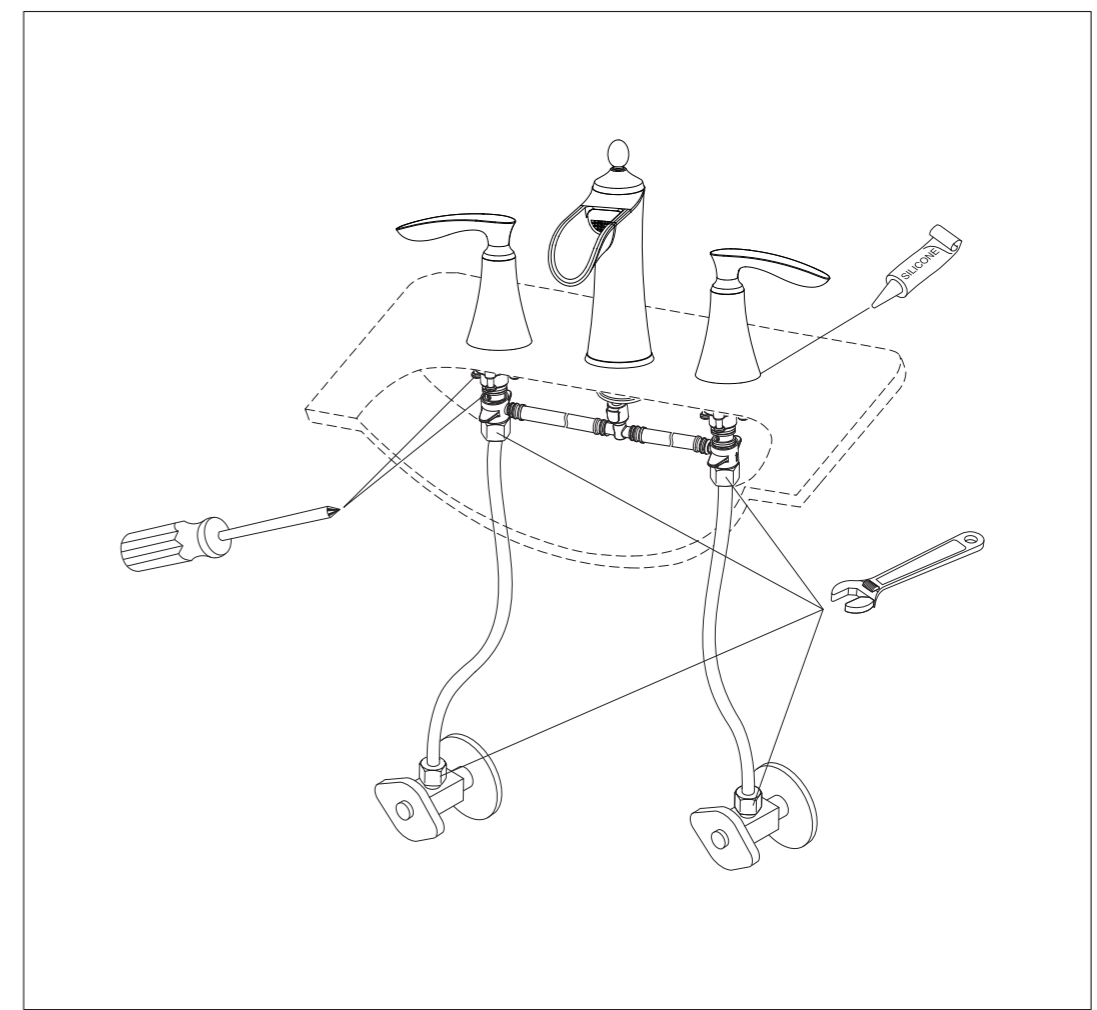
**RECOMMENDED TOOLS**

silicone Basin wrench Channel Locks Goggles  
screwdriver Adjustable Wrench Teflon tape Allen key

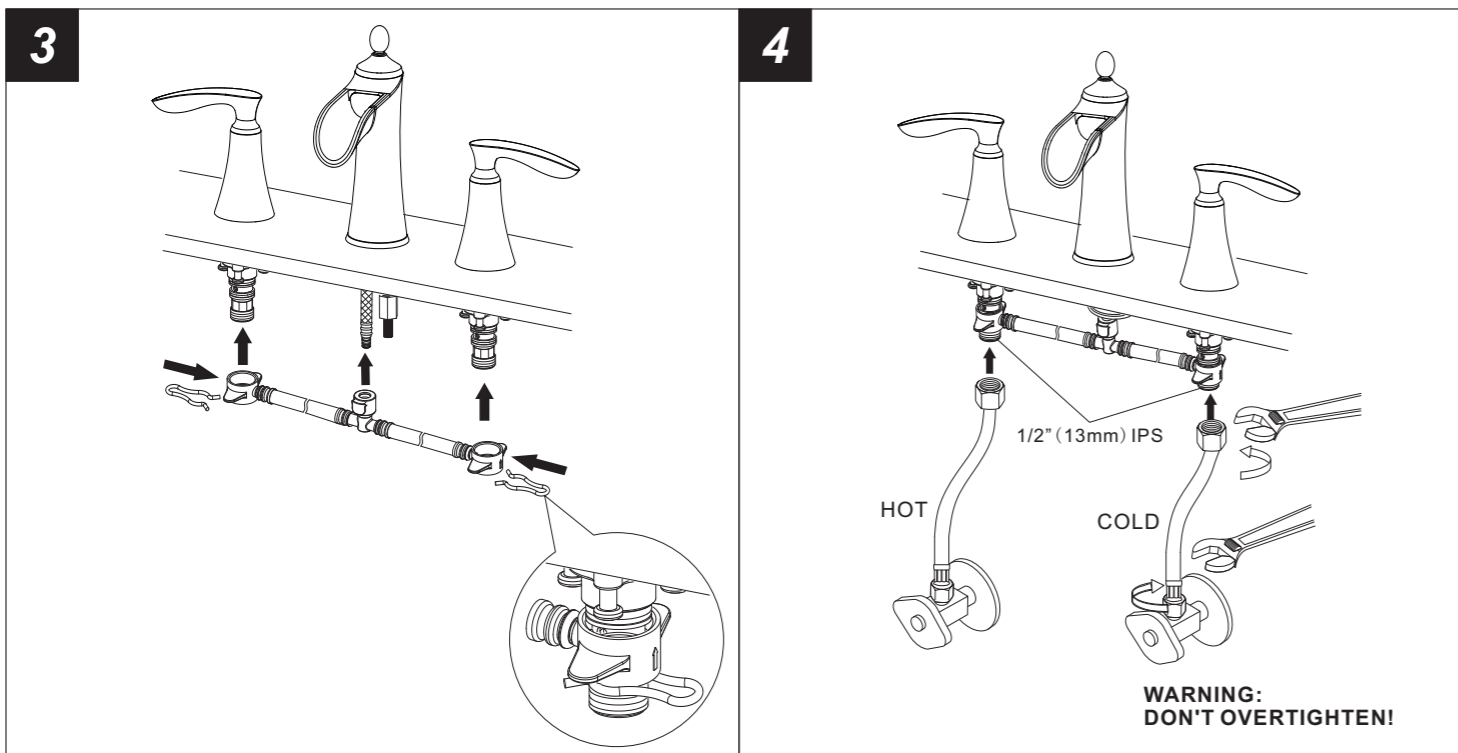
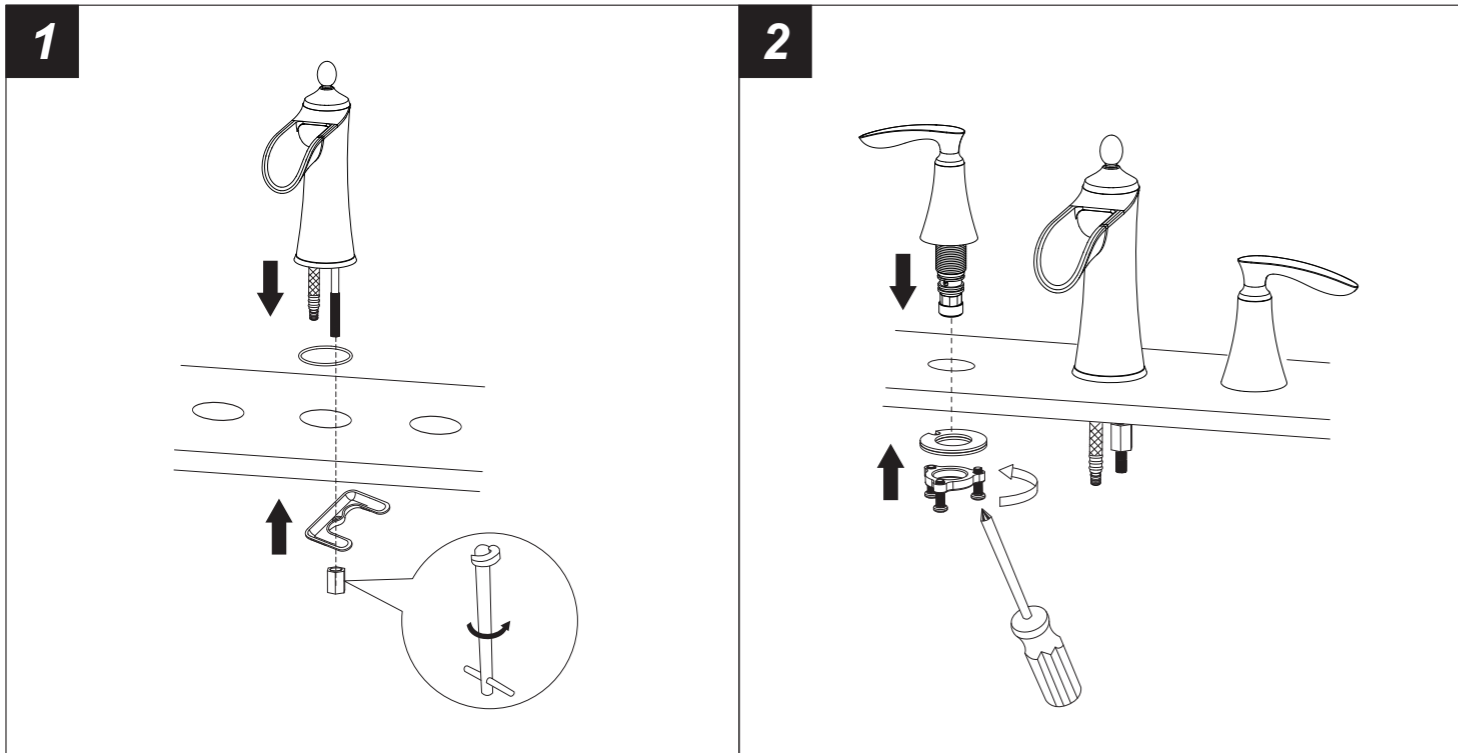
**! WARNING:**  
Please keep the tool for future use!

**Attention:**  
for easy installation, you will need:  
1. To read all the installation instruction completely before beginning.  
2. To read all the warning, attention and maintenance information.  
3. To purchase the proper supply lines.

**The tools might be applied to the following places:**

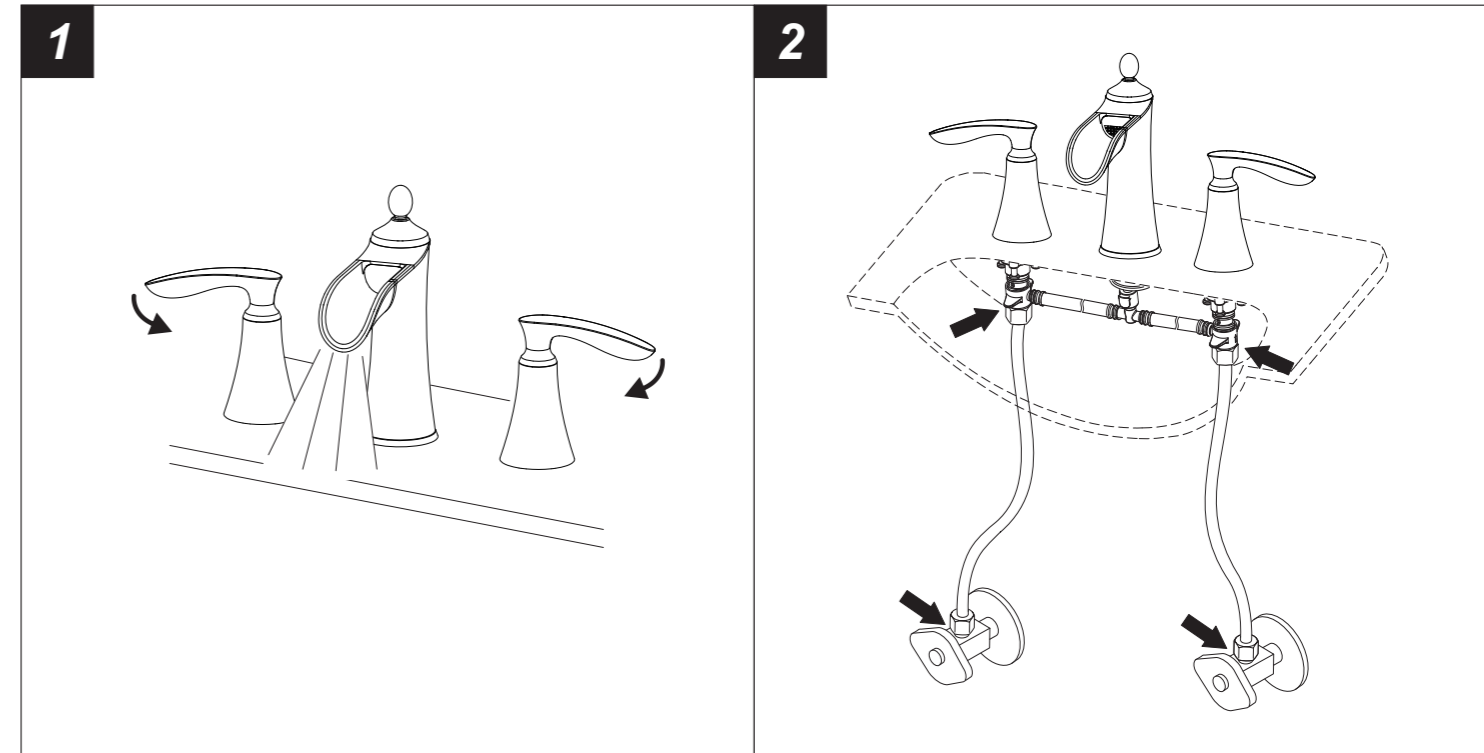


## Step 1 Faucet installation



3. Position the flexible hose as shown and fix it to the faucet as shown with clamp spring.
4. Connect the water supply lines to faucet and water supply valve and tighten it with wrench.
- Warning: The water supply valve mentioned above are not included, please purchase them from plumbshop.**

## Step 2 Checking and testing



## Step 3 Cleaning and care

Daily cleaning and care are required in order to keep the product shining and properly working.

- 1 Clean it with water and dry it with soft cloth.
- 2 Clean the product with gentle liquid or glass cleaner.
- 3 Don't use acid cleaner.
- 4 Don't clean with abrasive material, abrasive paper or knife.