



GERBER

www.gerberonline.com

ALLERTON™ 1.28 Elongated Toilet

12" Rough-in

Features:

□ HE-20-004

- Vitreous china
- Combination bowl and tank
- 3" flush valve with Fluidmaster® pilot valve for quiet fill
- 12" rough-in
- Elongated bowl
- Dual-fed siphon jet action bowl (no splashing)
- 2" fully glazed trapway for effective waste removal
- Side tank lever
- 6 point tank to bowl connection for tank stability
- Sanitary bead for easy cleaning
- Color matched bolt caps included
- Toilet seat not included

Technical Information:

Included Components:

- Combination HE-20-004
- Bowl HE-21-572
- Tank HE-28-580

Fixtures:

Configuration	two-piece, elongated
Water per Flush	1.28 gpf (4.8 lpf)
Rough-In	12"
Height	28 1/2"
Width	16 7/8"
Depth	29 1/2"
Trapway	2"
Large Water Surface	10 1/2" x 7 1/4"
Shipping Weight	83 lbs

Optional Accessories: (to be purchased separately)

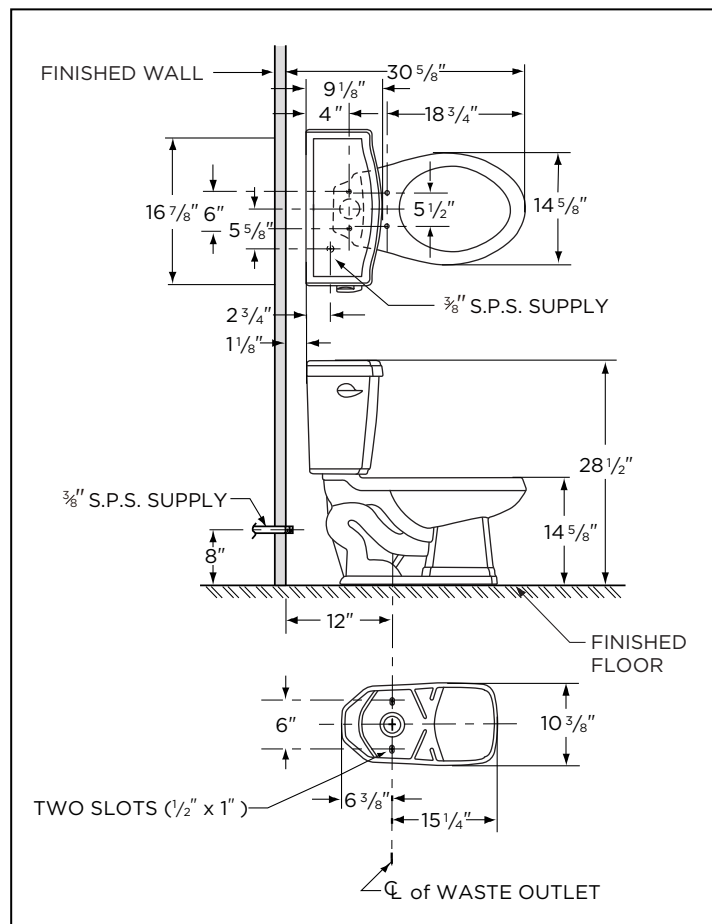
Soft Close Toilet Seat	99-213
------------------------	--------

Colors/Finishes:

- White
- Other: Refer to Price Book for additional colors/finishes

Warranty:

- Limited lifetime warranty



NOTES: All dimensions are in inches. Illustrations may not be drawn to scale.

IMPORTANT:

Dimensions of fixtures are nominal and may vary within the range of tolerances established by ASME standard A 112.19.2 THIS FIXTURE QUALIFIES ACCORDING TO ASME TEST PROCEDURES AS A HIGH EFFICIENCY WATER CLOSET WITH AN AVERAGE CONSUMPTION OF 1.28 gpf (4.8 Lpf) OR LESS.