



www.skylinkhome.com

Garage Door Opener

EQ SERIES



DC Motor Chain Drive Owner's Manual

- Please read this manual and enclosed safety materials carefully!
- Safety Infrared Sensor **MUST BE INSTALLED** and aligned properly
- Periodic checks of the opener are required to ensure safe operation

This Equipment meets or exceeds all Federal, State and UL325 Safety Requirements.

Need Help?

Please Call: 1-800-304-1187

FAQ: www.skylinkhome.com

Email: support@skylinkhome.com

TABLE OF CONTENTS

INTRODUCTION.....	1
PARTS IDENTIFICATION.....	2-3
IMPORTANT INSTALLATION INSTRUCTIONS.....	4
ASSEMBLY	
ASSEMBLE THE T-RAIL.....	5
Connect the T-Rail Sections.....	5
Attach the Pulley Bracket.....	5
Install the Trolley.....	5
Attach the T-Rail to the Opener.....	6
Prepare the Chain.....	6
Align the Chain on the Sprocket.....	6
Place the Cable on the Pulley.....	6
Tighten the Chain and Cable.....	7
Attaching the Sprocket Cover.....	7
INSTALLATION	
INSTALL THE HEADER BRACKET.....	8
Mark the Door Centerline.....	8
Mark Above the Highest Point of Travel.....	8
Attach the Header Bracket.....	9
Position the opener.....	9
Connect the T-Rail to the Header Bracket.....	9
HANG THE OPENER.....	10
Connect the T-Rail Sections.....	10
Attach the Hanging Brackets.....	10
Attach the Opener to the Hanging Brackets.....	10
INSTALL THE DOOR BRACKET.....	11
INSTALL THE DOOR ARMS.....	12
Attach Emergency Release Rope.....	12
Connect the Door Arms.....	12
INSTALL THE WALL BUTTON.....	14
Route and Secure the wires.....	15
Connect the Wires to the Opener.....	15
INSTALL THE LIGHT BULB.....	16
CONNECT THE OPENER TO POWER.....	16
Connect AC Power.....	16
Permanent Wiring.....	16
INSTALL SAFETY BEAM SENSOR.....	17
Identify the Transmitter and the Receiver.....	17
Mounting the Sensor on the Door Track.....	17
Route & Secure the Sensor Wires.....	18
Align the Safety Beam Sensor.....	19
Testing Safety Beam Sensor.....	19
ADJUSTMENTS	
Adjust the Up and Down Limits.....	20
Automatic Opening / Closing Force Adjustment.....	20
Test Safety Reversal System.....	21
Test Safety Beam Sensor System.....	21
OPERATION	
Operating the Door.....	22
Remote Control.....	22
Battery Replacement.....	23
Wall Button.....	23
To Open the Door Manually.....	24
PROGRAMMING.....	25
Program Remote Controls.....	25
Erase All Remote Controls from Opener.....	25
Maintenance.....	25
TROUBLE SHOOTING.....	26-27
ACCESSORIES.....	28

INTRODUCTION

Congratulations on your purchase of Skylink Garage Door Opener, EQ series, a garage door opener with many innovative features. Features include extremely quiet operation with DC motor; automatic force adjustment so the door can be closed with just the right amount of force, not overpowered; state of the art safety reversal systems that protect your family and property near the door.

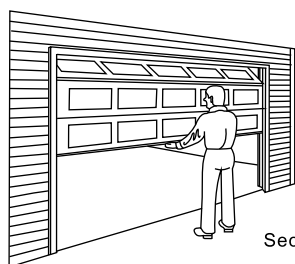
IMPORTANT SAFETY INFORMATION

This documentation provided with your opener has been carefully designed and organized to make the assembly, operation and continued maintenance of your product as easy and safe as possible, provided it is installed, operated, maintained and tested in strict accordance with the instructions and warnings contained in this manual. Read and follow all guidelines and operating instructions before the first use of this product. Store the manual in a safe, easily accessible location.

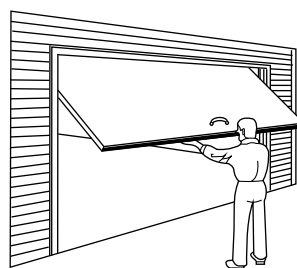
PRE-INSTALLATION CHECKLIST

Check the following items before assembling the opener:

- Identify the door type, 1) Sectional Door or 2) One-piece Door
- Ensure your garage door is balanced and is not sticking or binding.
- Here is how to check the door balance:
 - From outside the garage, slowly open the door all the way and close it all the way, **DOOR SHOULD NOT BIND OR RUB;**
 - Raise the door halfway up, **DOOR SHOULD STAY IN PLACE, SUPPORTED ENTIRELY BY ITS SPRING**



Sectional Door



One-Piece Door

- **IMPORTANT: IF THE GARAGE DOOR FAILS EITHER OF THESE TESTS, HAVE A QUALIFIED GARAGE DOOR PROFESSIONAL ADJUST OR REPAIR THE DOOR**
- If door is lightweight (made with frame and skin not solid), door (including door frame) must be braced or reinforced before installing the opener. Check with the garage door manufacturer or a qualified garage door service professional for a door reinforcement kit.
- If you do not have an access door in addition to the garage door, you should install an emergency key release kit
- If your door is more than 7 feet high, you will need a rail extension kit (purchased separately).
- With the garage door closed, check alignment of door and garage floor. The gap, if any, should be no more than $\frac{1}{4}$ ". If the gap is larger than this, repair floor or door before installing opener.

PARTS IDENTIFICATION

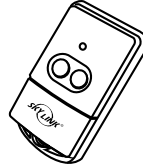
The garage door opener and all accessories are packaged in one carton, illustrated below. Note that accessories will depend on the model your purchased. If anything is missing, carefully check the packing material.



Visor Remote



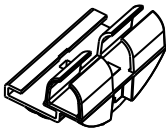
Push Button



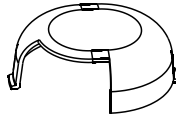
2-Button
Keychain Remote



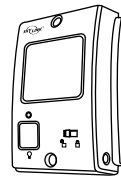
4-Button
Keychain Remote



Trolley



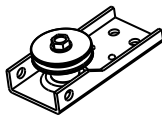
Sprocket Cover



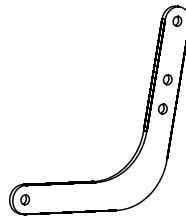
Wall Console



Bell Wire

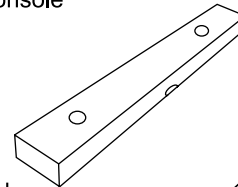


Pulley Assembly

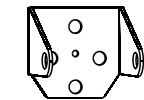


Curved Arm

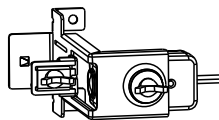
Chain and
Cable Assembly



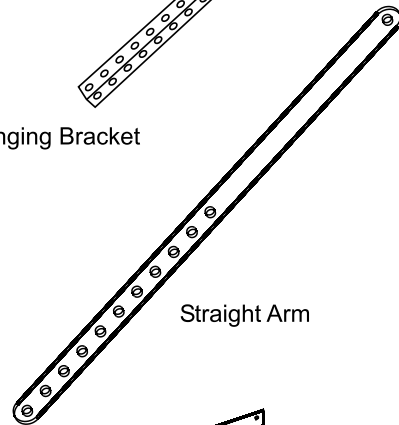
Hanging Bracket



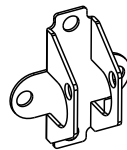
Head Bracket



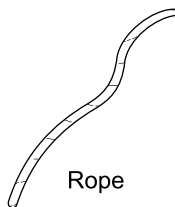
Safety Beam Unit



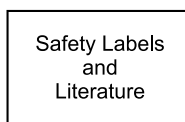
Straight Arm



Door Bracket



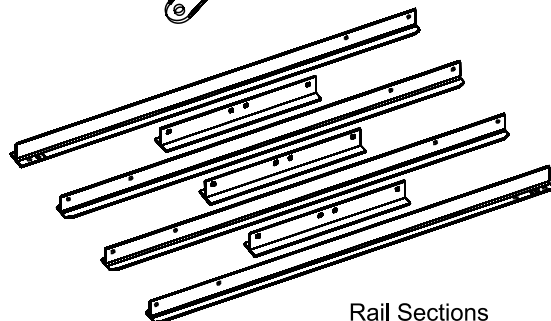
Rope



Safety Labels
and
Literature

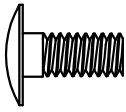


Handle



Rail Sections

PARTS IDENTIFICATION



A1 x 12
Carriage Bolt



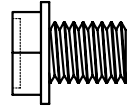
A2 x 12
Locknut



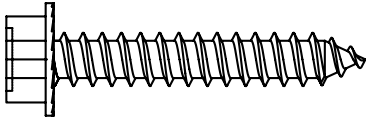
A3 x 2
Bolt



A4 x 3
Locknut



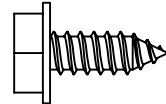
A5 x 3
Flange Bolt



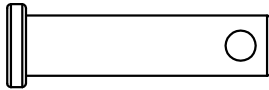
B1 x 4
Lag Screw



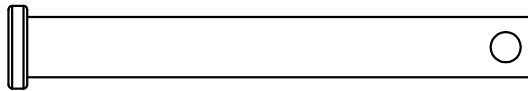
B2 x 4
Bolt



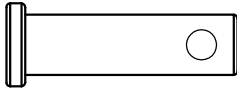
B3 x 2
Self Tapping Screw



B4 x 1
Clevis Pin



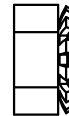
B5 x 1
Clevis Pin



B9 x 1
Clevis Pin



B6 x 3
Hitch Pin



B8 x 4
Locknut



C2 x 4
Wire Clip



C3 x 20
Wire Holder



C5 x 4
Wood Screw

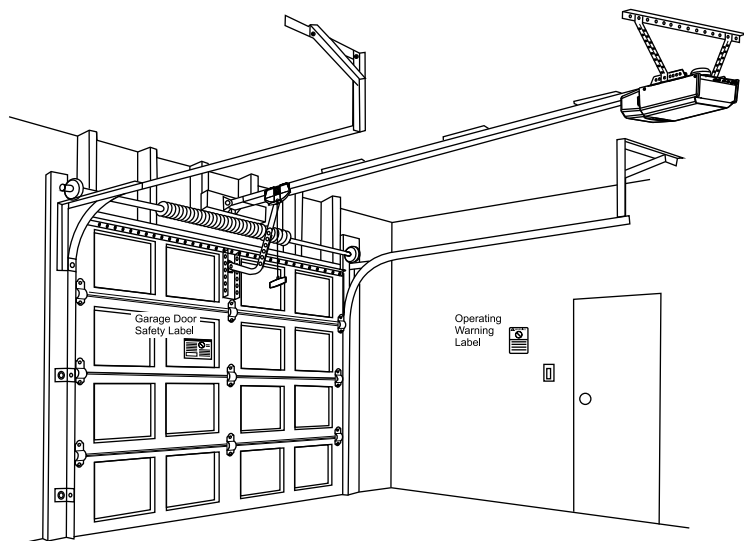
IMPORTANT INSTALLATION INSTRUCTIONS

⚠ WARNING

To reduce the risk of severe injury or death:

1. READ AND FOLLOW ALL INSTALLATION INSTRUCTIONS.
2. Check with the door manufacturer to determine if additional reinforcement is required to support the door prior to installation of the garage door opener.
3. Install garage door opener only on a properly balanced garage door. An improperly balanced door could cause serious injury. Have a qualified service person make repairs to garage door cables, spring assemblies, and other hardware before installing the opener.
4. Remove all ropes and disable all locks connected to the garage door before installing opener.
5. If possible, install the door opener 7 feet or more above the floor. Mount the emergency release handle 6 feet above floor.
6. Do not connect the opener to source of power until this manual instructs you to do so.
7. Locate the wall console or wall button:
 - I. Within sight of the garage door
 - II. Out of reach of children at minimum height of 5 feet
 - III. Away from all moving parts of the door
8. Place Entrapment Warning Label on wall next to garage door wall control
9. Place manual release / safety reverse test label in plain view on inside of garage door.
10. Upon completion of the installation, the door must reverse when it comes in contact with a 1-1/2" high object (or a 2 X 4 laid flat at the center of the door) on the floor and when the infrared safety beam is blocked.

Shown on the right is an overall view of a completed garage door opener system installed on a sectional door. The arrangement is similar for a one-piece door (except for differences described later in this manual).



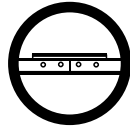
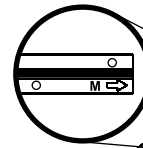
ASSEMBLE THE T-RAIL

1 Connect the T-Rail Sections

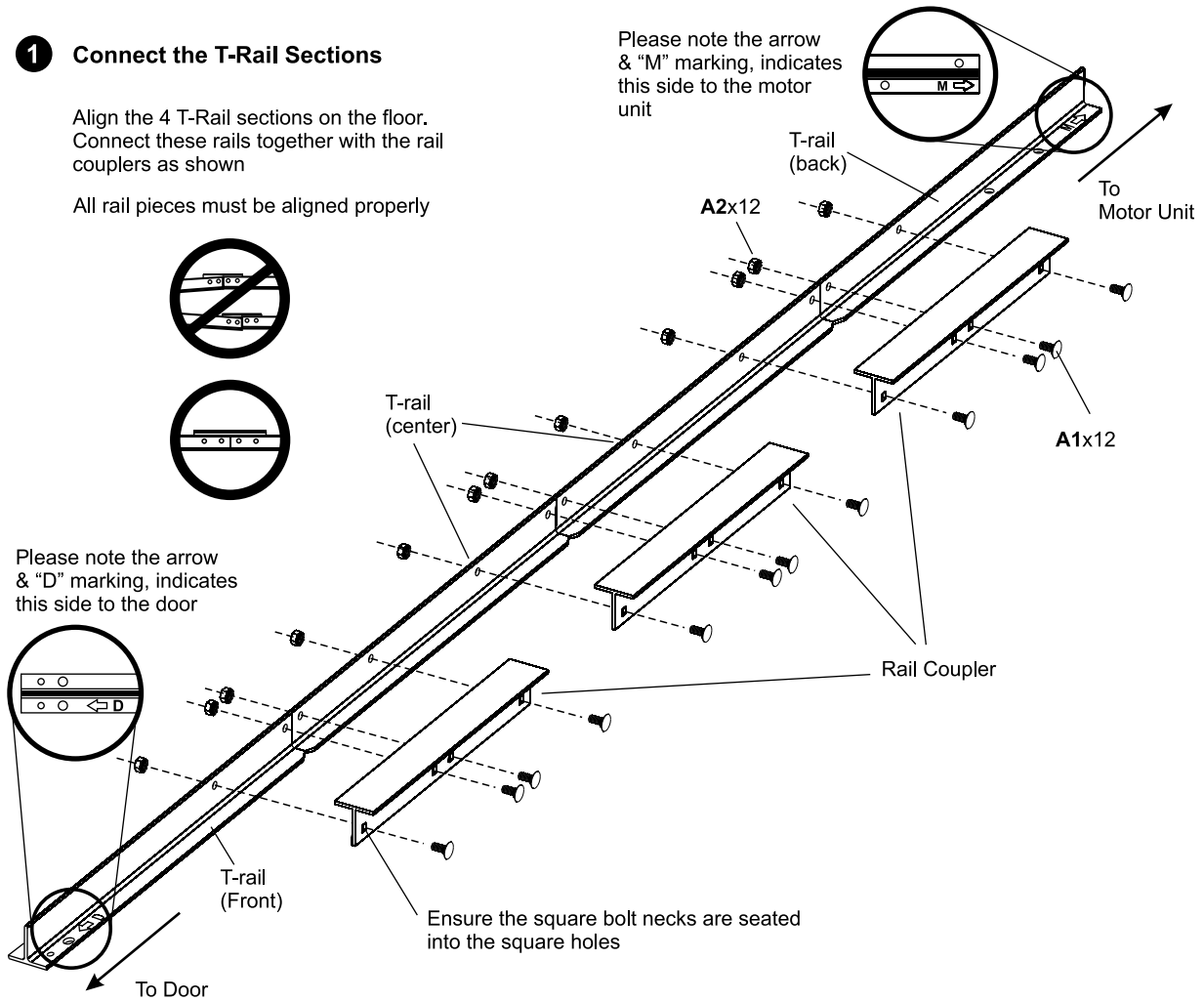
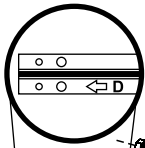
Align the 4 T-Rail sections on the floor. Connect these rails together with the rail couplers as shown

All rail pieces must be aligned properly

Please note the arrow & "M" marking, indicates this side to the motor unit

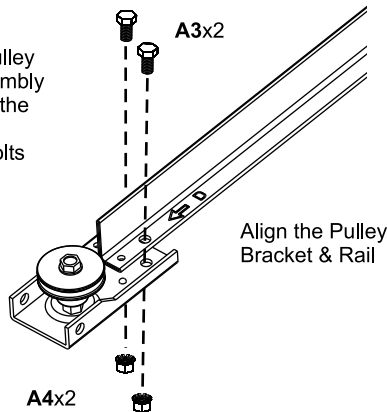


Please note the arrow & "D" marking, indicates this side to the door

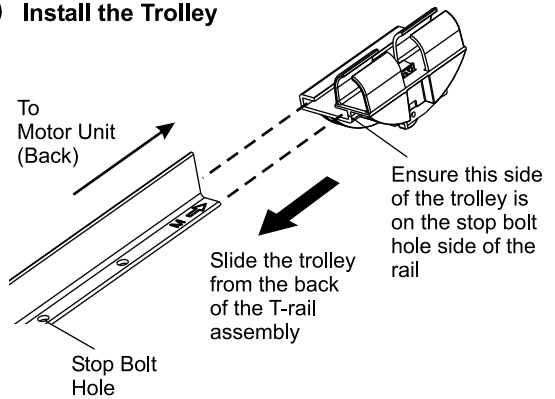


2 Attach the Pulley Bracket

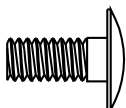
Attach the Pulley Bracket Assembly to the end of the front rail with 2 nuts and bolts



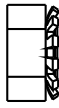
3 Install the Trolley



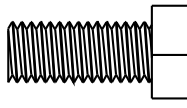
Actual Size



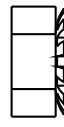
A1



A2



A3



A4

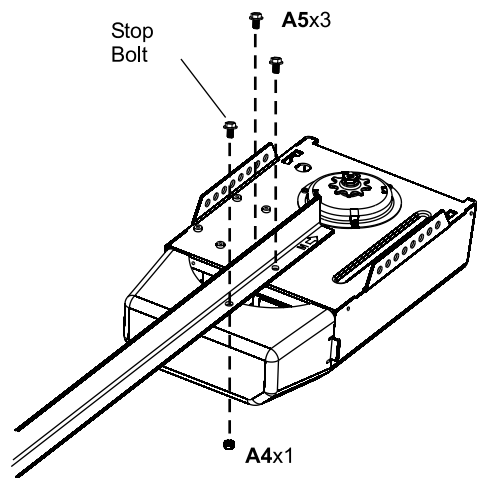
ASSEMBLE THE T-RAIL

4 Attach the T-Rail to the Opener

Raise the pulley end of the rail so the rail can sit on the motor unit properly. Attach the rail to the motor unit by tightening 2 screws. Insert a bolt to the Stop Bolt Hole and secure it with nut.

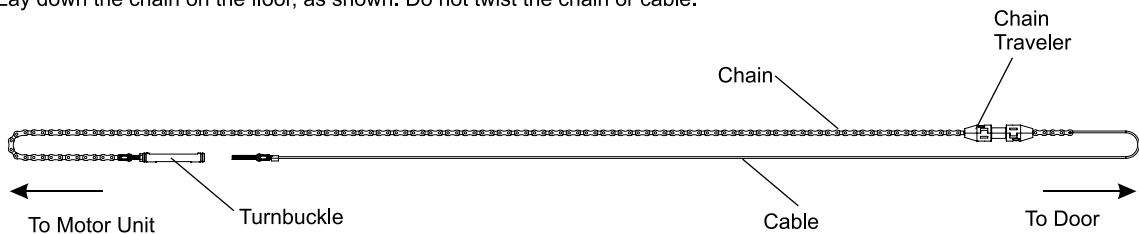
CAUTION

Use only the specified bolts to attach the T-rail to the opener. Any other bolts will cause serious damage to the opener.



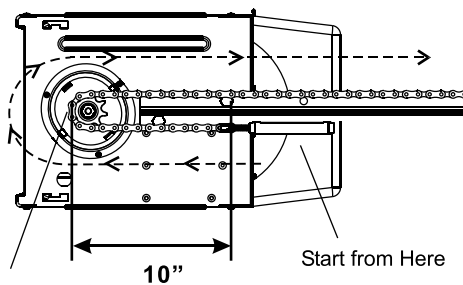
5 Prepare the Chain

Lay down the chain on the floor, as shown. Do not twist the chain or cable.



6 Align the Chain on the Sprocket

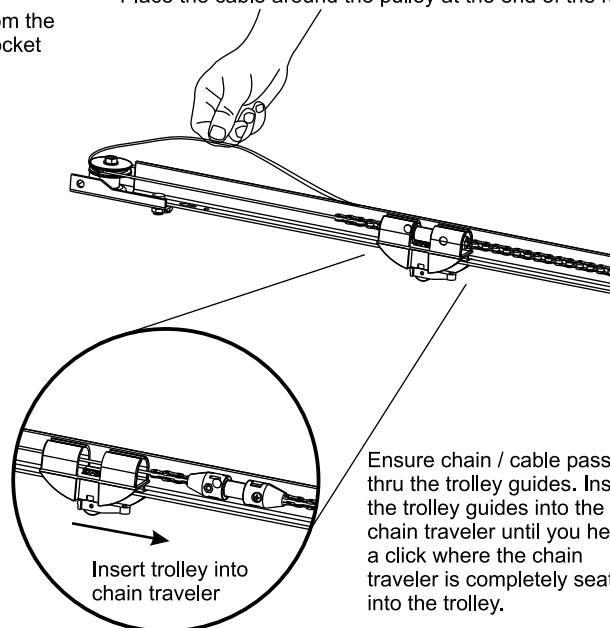
Start aligning the chain by placing the turnbuckle 10" from the sprocket. Wrap the chain around the sprocket. The sprocket teeth must engage the chain as shown.



Wrap around the Sprocket

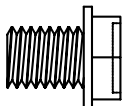
7 Place the Cable on the Pulley

Place the cable around the pulley at the end of the rail

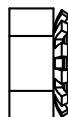


Ensure chain / cable passes thru the trolley guides. Insert the trolley guides into the chain traveler until you hear a click where the chain traveler is completely seated into the trolley.

Actual Size



A5

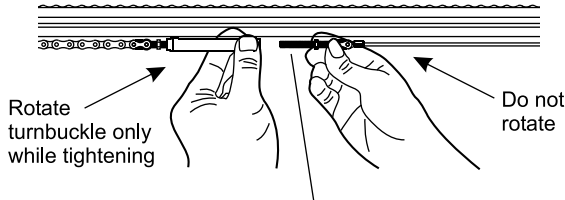


A4

ASSEMBLE THE T-RAIL

8 Tighten the Chain and Cable

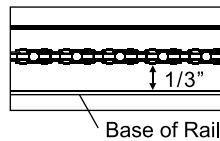
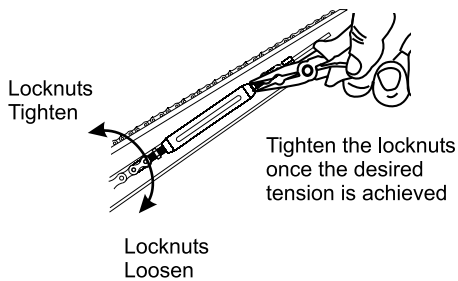
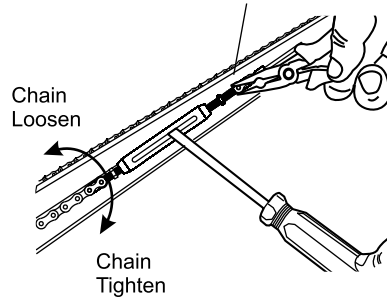
Connect the 2 ends of the chain assembly together at the turnbuckle



To connect the turnbuckle and threaded shaft, hand tighten the turnbuckle by rotating the turnbuckle only.

Do not rotate the threaded shaft to avoid twisting the cable.

To avoid twisting the cable, use pliers to hold the threaded shaft, while tightening the turnbuckle with a flat screwdriver.



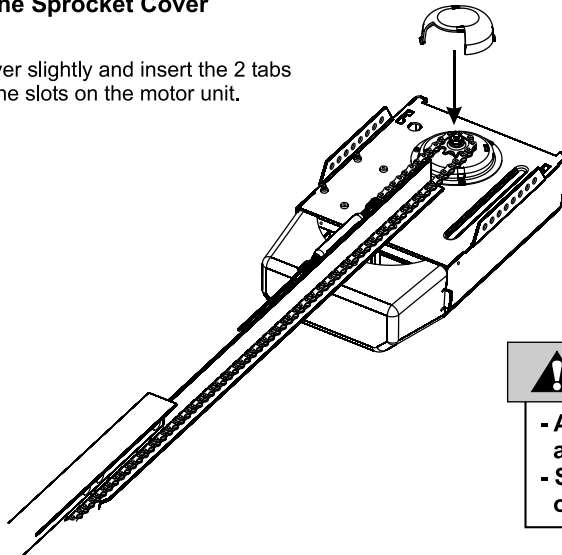
Twist the turnbuckle to tighten the chain tension until the chain is 1/3" above the base of the T-rail.

Note: After completing the installation, you may notice some chain drop with the door fully closed. The chain should return to the position as shown when the door is open.

Note: Too much or too little tension will cause excessive noise.

9 Attaching the Sprocket Cover

Squeeze the cover slightly and insert the 2 tabs on the cover in the slots on the motor unit.



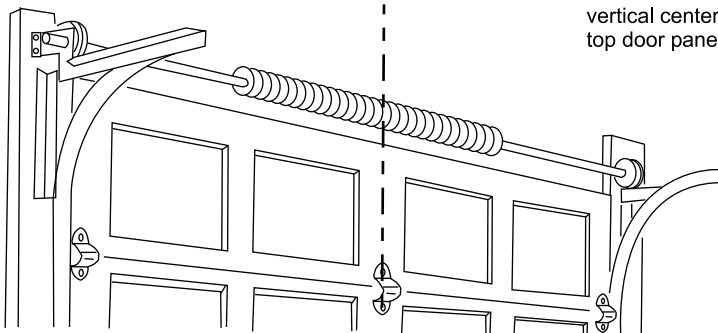
⚠ WARNING

- Always keep hand clear of sprocket and chain while operating opener
- Securely attach sprocket cover before operating

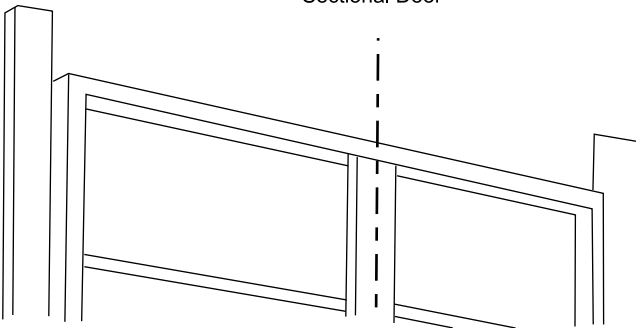
INSTALL THE HEADER BRACKET

1 Mark the Door Centerline

Close the door from inside the garage and mark the vertical centerline of the door on the wall and the top door panel



Sectional Door



Jamb Door

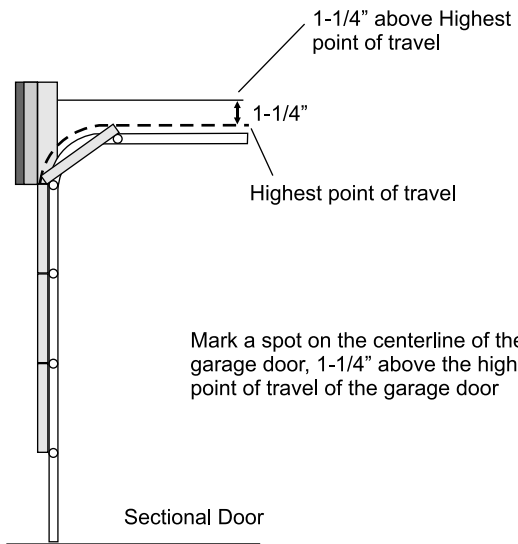
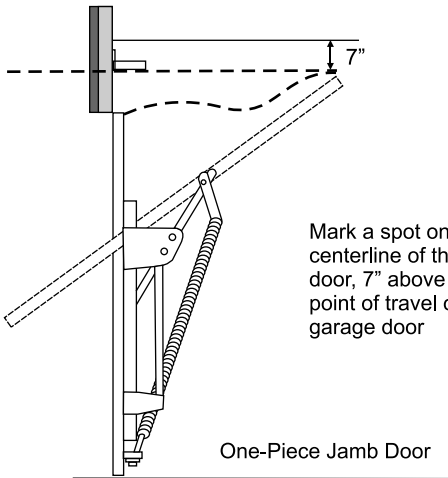
! WARNING

Header Bracket must be secured to structural supports. If appropriate support does not exist, install a new support using 2X4 board on drywall or between 2 studs, with lag screws (not provided). DO NOT install header bracket over drywall.

Concrete anchors must be used if mounting header bracket or 2X4 into masonry.

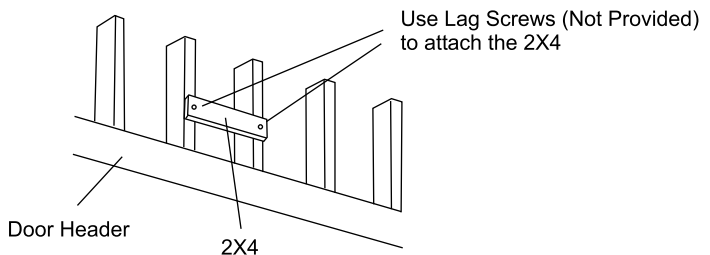
Always call a trained door systems technician if garage door binds, sticks, or is out of balance. An unbalanced garage door might not reverse when required.

2 Mark Above the Highest Point of Travel



3 Attach a 2X4 (if necessary)

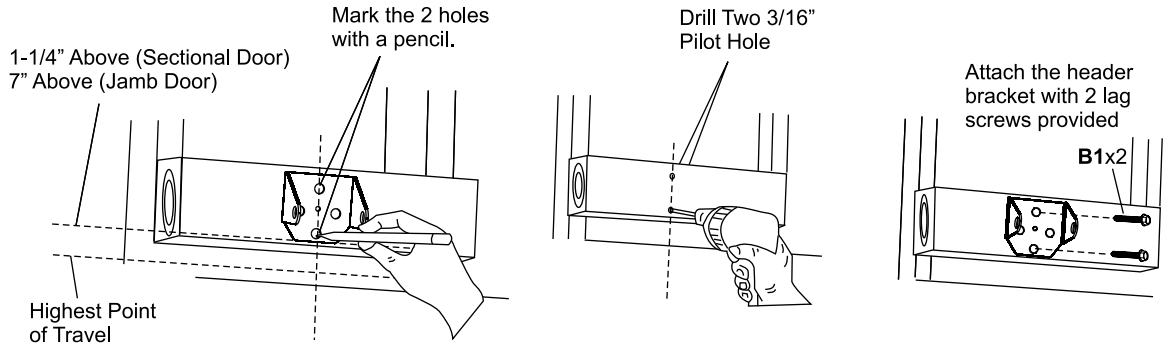
If the calculated header bracket is above the door header, attach a 2X4 between two studs to install the header bracket.



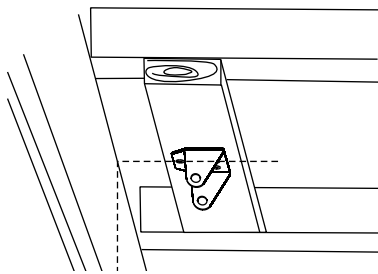
INSTALL THE HEADER BRACKET

4 Attach the Header Bracket

Place the bottom edge of the bracket on the line marked above the highest point of travel.



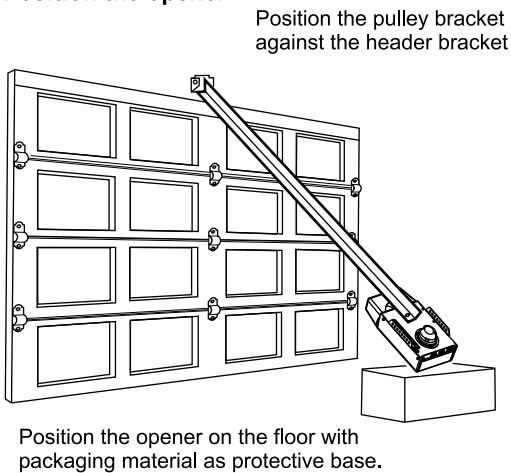
Note the orientation of the header bracket, do not mount it upside down.



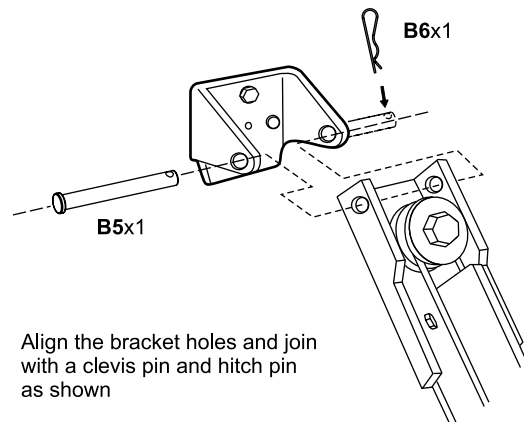
Ceiling Installation

The header bracket may be mounted to the ceiling if there is minimal clearance above the door. If so, extend the centerline to the ceiling. The back edge of the bracket must not be further than 5" from the header wall.

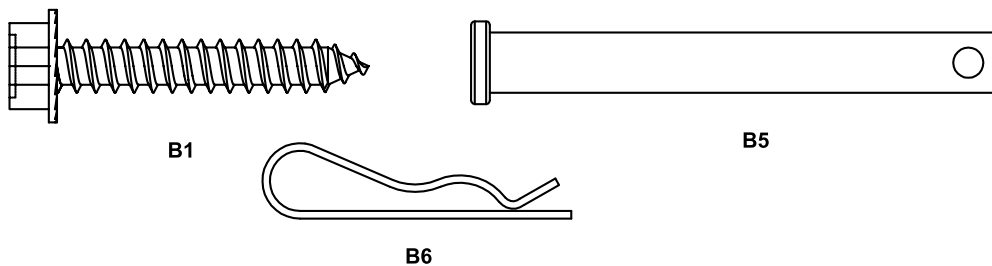
5 Position the opener



6 Connect the T-Rail to the Header Bracket



Actual Size



HANG THE OPENER

1 Connect the T-Rail Sections

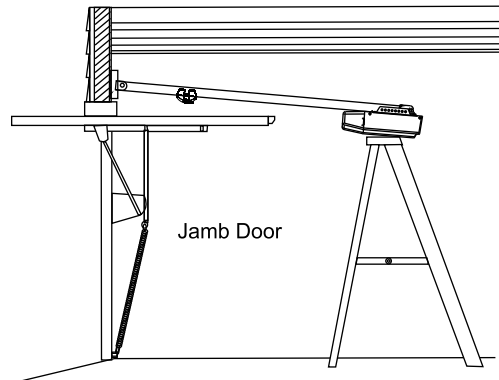
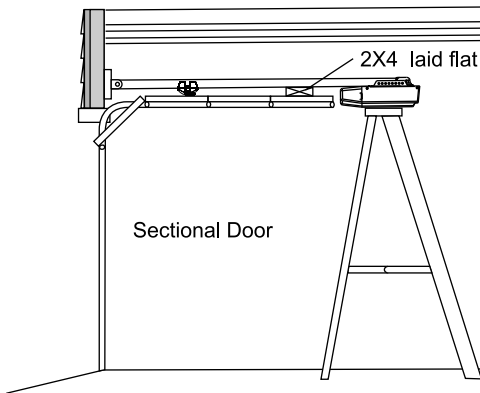
Raise the opener onto a stepladder. Use extra spacers on top of the ladder if the ladder is not tall enough

Carefully open the door to the full up position. Be sure the door is clear from the rail or any other part of the opener.

Place a 2X4 laid flat on the top section beneath the T-rail.

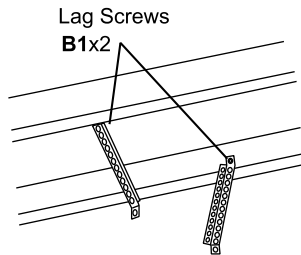
Carefully open the door to the full up position, that it is parallel to the floor

Position the opener so that top of the opener head is level with top of the opened door



2 Attach the Hanging Brackets

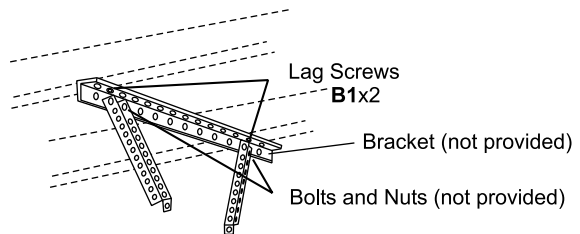
Hanging brackets should be angled to provide rigid support. Measure the distance from the motor unit to the structural support. Cut and bend the hanging brackets as required.



For "Open-Seam" garage, attach the hanging brackets directly to joists with two lag screws.

! WARNING

To avoid possible serious injury from a falling garage door opener, fasten it securely to structural supports of the garage. Concrete anchors must be used if installing any brackets into masonry.

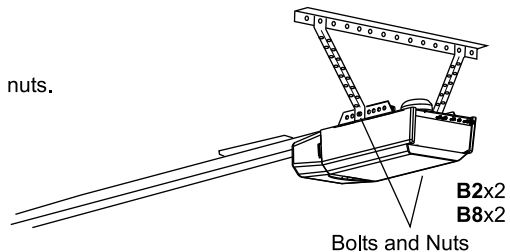


On finished ceiling, attach a sturdy metal bracket (not provided) to structural supports before installing the opener.

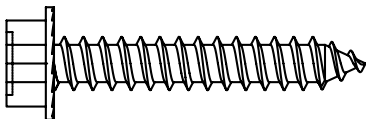
3 Attach the Opener to the Hanging Brackets

Attach the opener to the hanging brackets with two bolts and nuts.

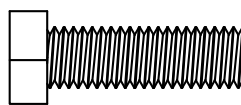
Ensure the T-rail is centered over the door.
Remove the 2X4.



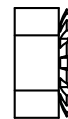
Actual Size



B1



B2

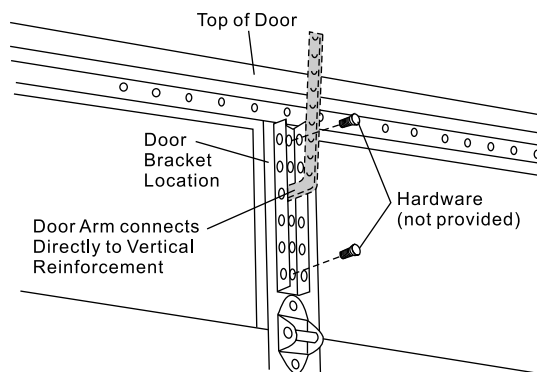


B8

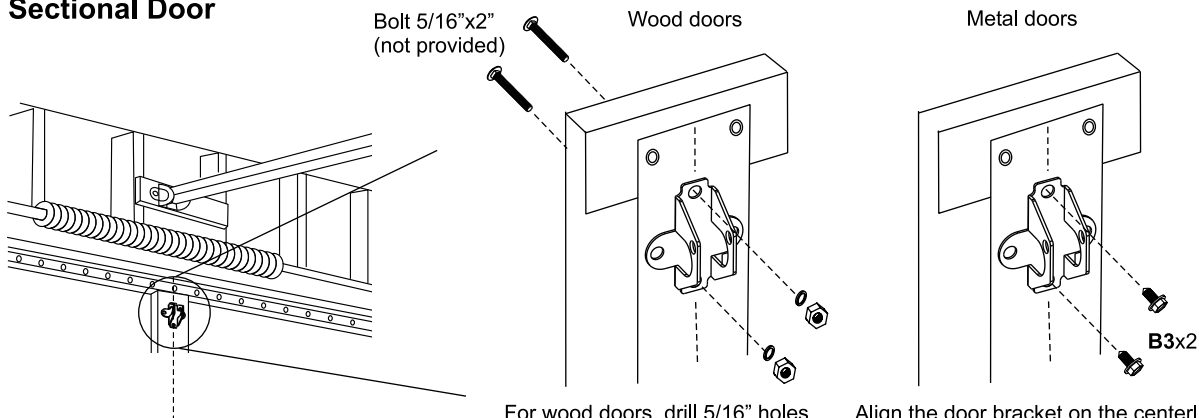
INSTALL THE DOOR BRACKET

CAUTION

Lightweight garage doors are not designed for use with garage door opener must be equipped with a door reinforcement kit. Check with the garage door manufacturer for more information. Many door reinforcement kits provide for direct attachment of the clevis pin and door arm. In this case, you will not need the door bracket, proceed to "Install the Door Arms" section.



Sectional Door



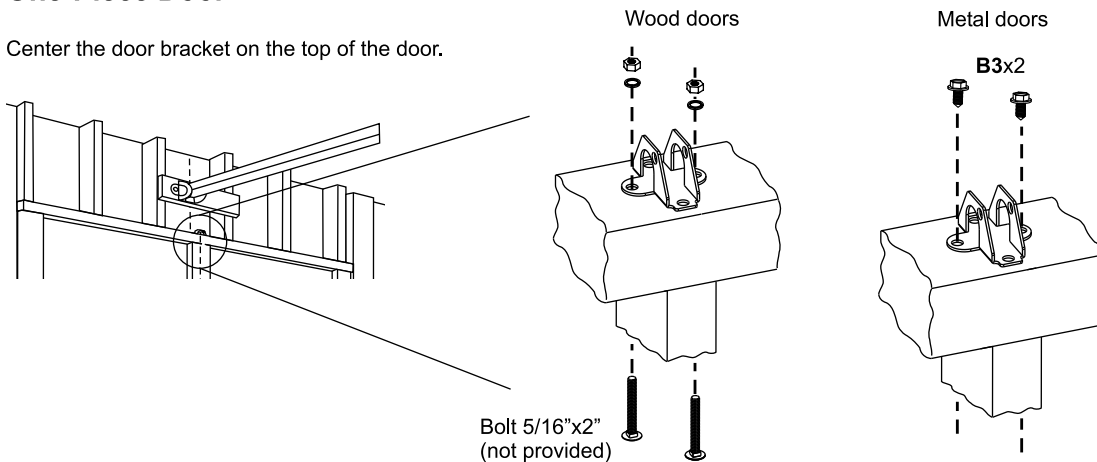
For wood doors, drill 5/16" holes through the door and secure bracket with 5/16" X 2" carriage bolts, lock washers and nuts (not provided)

Align the door bracket on the centerline 2" to 4" below the top edge of the door, or directly below any door structural support.

Drill two 3/16" pilot holes, use 2 self-threading screws to secure the door bracket.

One-Piece Door

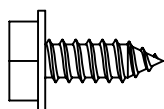
Center the door bracket on the top of the door.



For wood doors, drill 5/16" holes through the door and secure bracket with 5/16" X 2" carriage bolts, lock washers and nuts (not provided)

Drill two 3/16" pilot holes, use 2 self-threading screws to secure the door bracket.

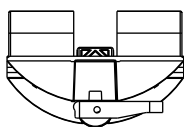
Actual Size



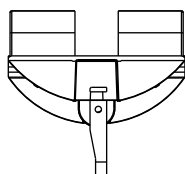
B3

INSTALL THE DOOR ARMS

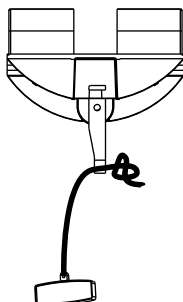
1 Attach Emergency Release Rope



Engaged



Released

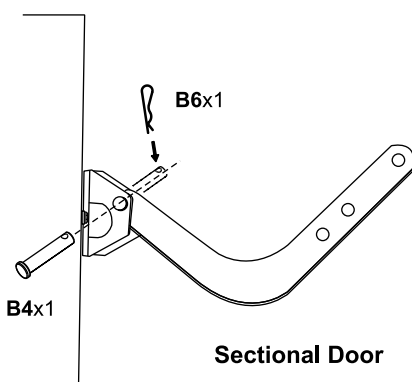


Thread the red rope through the hole in the trolley release handle and tie an over-hand knot. Leave the trolley release lever in the released position until further testing is completed.

⚠ WARNING

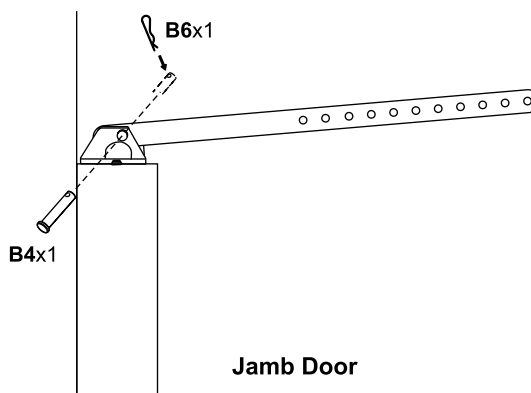
- Use extreme care when pulling release handle. **DO NOT** use handle to pull door open or closed.
- Never use emergency release handle unless garage doorway is clear of persons and obstructions.

2 Connect the Door Arm to Door Bracket



Sectional Door

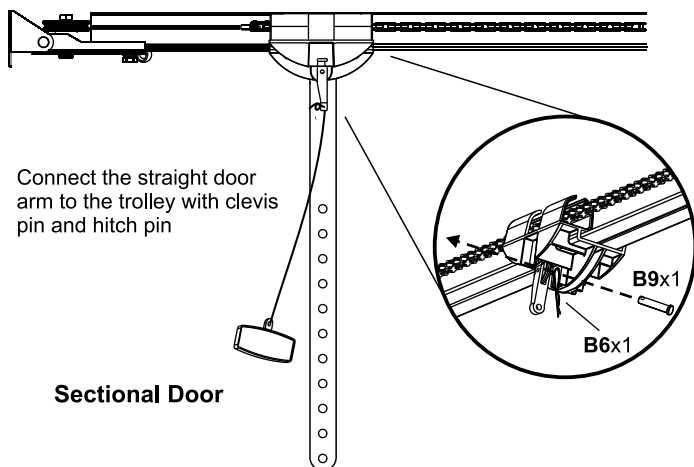
Connect the curved door arm to the door bracket with clevis pin and hitch pin



Jamb Door

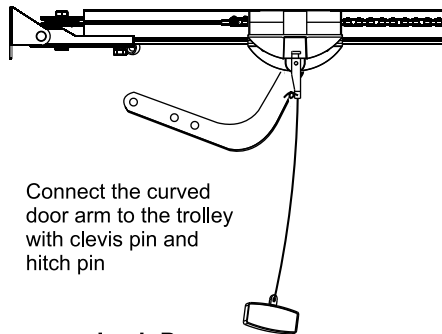
Connect the straight door arm to the door bracket with clevis pin and hitch pin

3 Connect the Door Arm to the Trolley



Connect the straight door arm to the trolley with clevis pin and hitch pin

Sectional Door

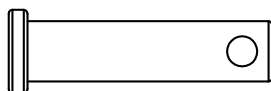


Connect the curved door arm to the trolley with clevis pin and hitch pin

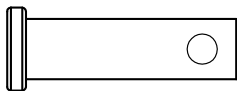
Jamb Door

Note: Emergency Release Handle should hang 6 feet (1.83m) above floor. Adjust rope length if it is necessary.

Actual Size



B4



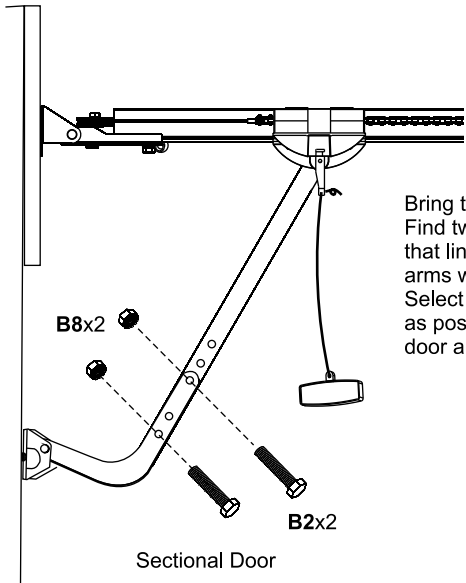
B9



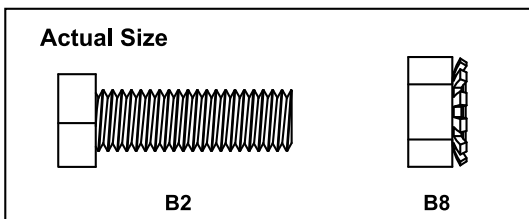
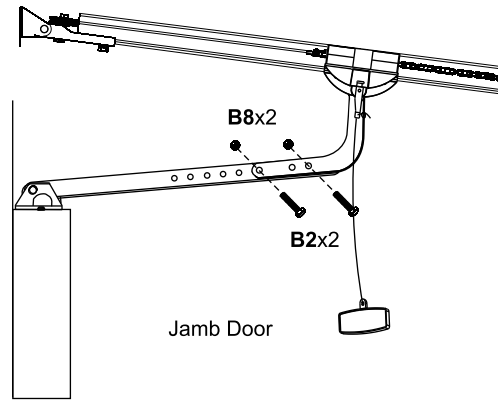
B6

INSTALL THE DOOR ARMS

4 Connect the Door Arms together



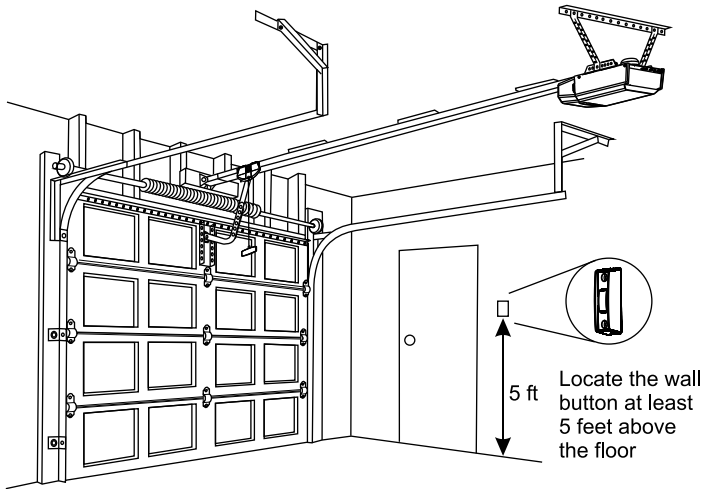
Bring two arms together. Find two pairs of holes that line up and join 2 arms with bolts and nuts. Select holes as far apart as possible to increase door arm rigidity.



INSTALL THE WALL BUTTON

1 Install the Wall Button

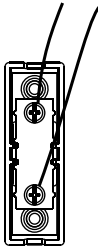
Note: There are 2 types of Wall Button, Push Button, or Wall Console. Refer to the model number you have and determine which type is included in your kit.



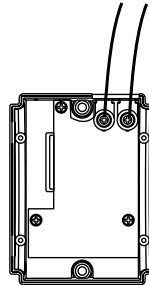
⚠ WARNING

- Wall Button must be installed within sight of the garage door, out of reach of children at a minimum height of 5 feet (1.5 meters), and away from all moving parts of door.
- Be sure power is not connected before installing the Wall Button.
- Wall Button should only be activated when door can be seen clearly, is properly adjusted and there are no obstructions to door travel.
- Always keep garage door in sight until completely closed. Never permit anyone to cross path of closing garage door.

2 Wire the Wall Button



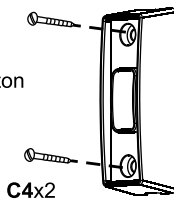
Connect the bell wires to the 2 terminal screws. Wires are not polarity sensitivity



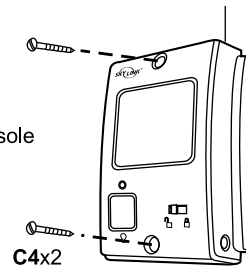
Connect the bell wires to the 2 terminal screws. Wires are not polarity sensitivity

3 Install the Wall Button

Secure the Push Button with two screws



Secure the Wall Console with two screws



4 Apply the Safety Label

Permanently mount the user safety instruction label next to the wall console using staples or tacks.

Actual Size



C4

⚠ WARNING



Child can be pinned under automatic garage door. **Do not use automatic garage door opener.**

- Never let child walk or run under moving door.
- Never let child use door opener controls.
- Always keep moving door in sight.
- If person is pinned, push control button or use emergency release.
- Test door opener monthly:

Refer to your owner's manual.

Place one-inch object (or 2x4 laid flat) on floor.

If door fails to reverse on contact, adjust opener.

If opener still fails to reverse door, repair or replace opener.

Do not remove or stain over this label.

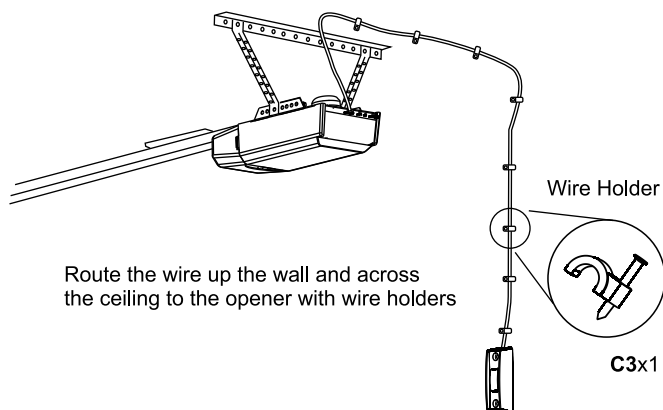
Mount wall control out of child's reach (at least 5 feet above floor).

Place next to wall control.

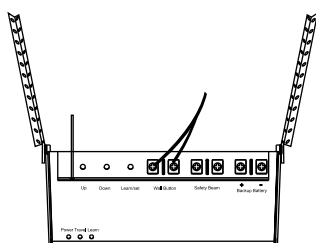
Copyright 1992

INSTALL THE WALL BUTTON

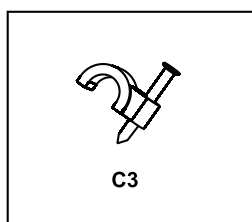
4 Route and Secure the wires



5 Connect the Wires to the Opener

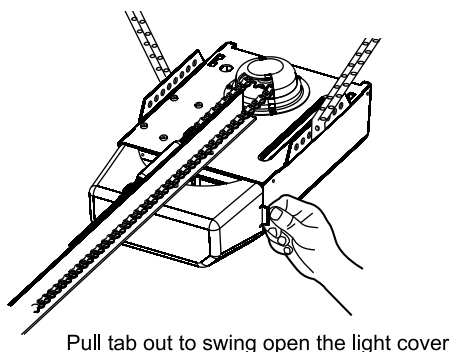


Connect the wires to the “Wall Button” terminals. Wires are not polarity sensitivity (either wire to either terminals)

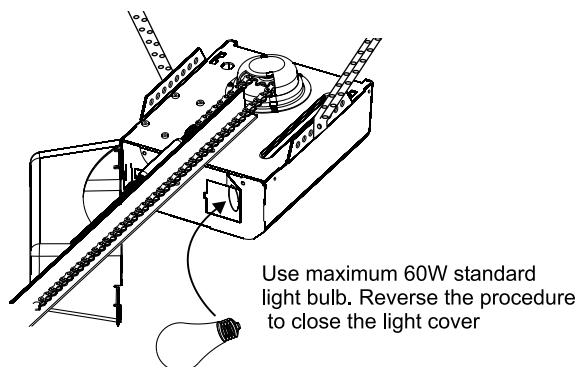


INSTALL THE LIGHT BULB

1 Open the Light Cover



2 Install the Bulb

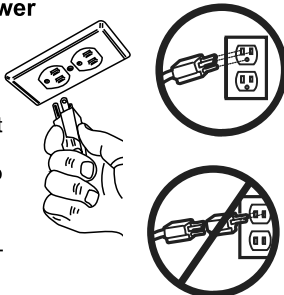


Note: Use only standard tungsten light bulb. Dimming feature would only function properly with tungsten bulb, not energy saving bulb.

CONNECT THE OPENER TO POWER

1 Connect AC Power

Plug motor unit into grounded outlet. If a grounded outlet is not available, contact a qualified electrician to install a proper outlet. **DO NOT ACTIVATE THE OPENER UNTIL INSTRUCTED.**



2 Permanent Wiring - Remove Cover

! WARNING

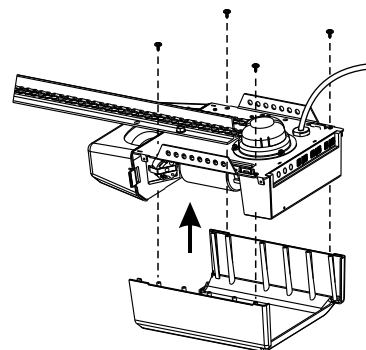
If permanent wiring is required by your local code, have a licensed electrical contractor follow procedure below. Disconnect power to the circuit before removing cover.

3 Permanent Wiring - Remove the Power Cord

! WARNING

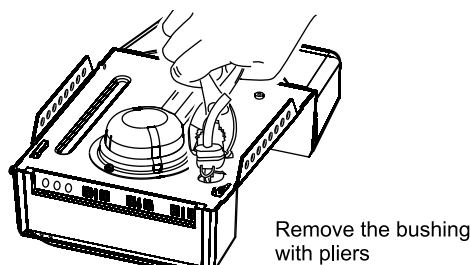
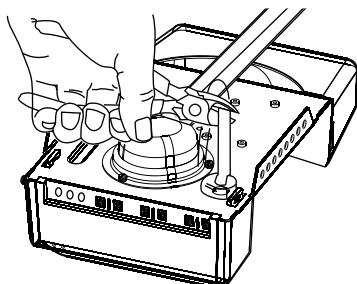
- Be sure power is not connected to the opener, and disconnected power to circuit before removing cover to establish permanent wiring connection.
- Garage door installation and wiring must be in compliance with all local electrical and building codes.
- Never use an extension cord, 2-wire adapter, or change plug in any way to make it fit outlet. Be sure the opener is grounded.

Be sure the power cord is unplugged. Remove the 4 side screws and the bottom cover of the opener



4 Permanent Wiring - Remove the Bushing

Be sure the power cord is unplugged. Cut the cord about 2" above the bushing

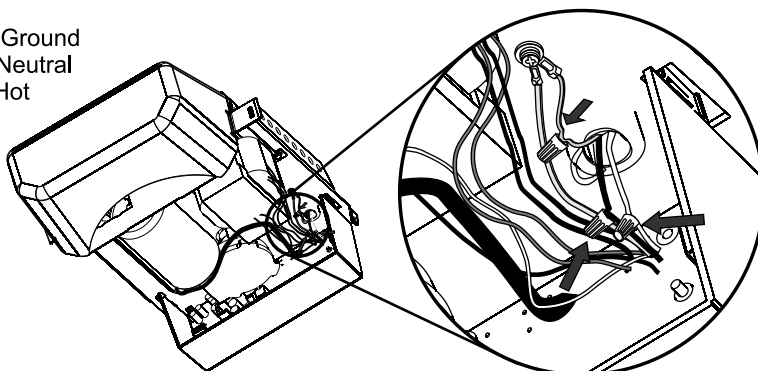


CONNECT THE OPENER TO POWER

5 Permanent Wiring - Hardwire the Opener

Connect the conduit to the opener with the proper termination

Green – Ground
White – Neutral
Black – Hot

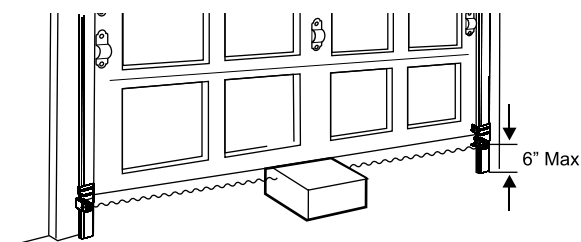


Connect conduit wiring to opener wiring with wire nuts (Not Provided). Install the bottom cover and screws.

INSTALL SAFETY BEAM SENSOR

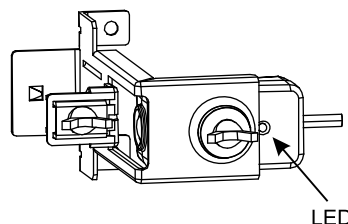
⚠ WARNING

- Be sure power is not connected to the garage door opener while installing the safety beam sensor.
- The safety beam sensor must be installed and aligned properly.
- This safety device must not be disabled.
- The safety infrared sensor must not be installed higher than 6" (15cm) above the garage floor.



Important Information: The safety beam sensor can detect obstacle in the path of its invisible beam. When the beam is obstructed while the door is closing, the door will stop immediately and reverse to the fully open position, and the opener lights will flash. It is important to ensure the invisible infrared beam must be unobstructed by any part of the garage door, door tracks, other hardware or objects near the garage door.

1 Identify the Transmitter and the Receiver

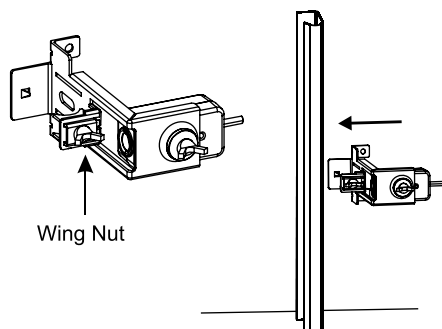


The unit has red LED is the transmitting sensor. The unit has green LED is the receiving sensor. Avoid sun light shining directly into the receiving sensor.

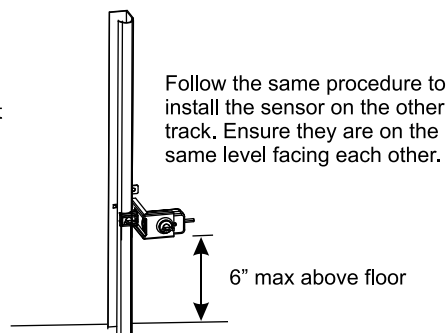
Note: Receiving sensor has a label marking "Receive" on the wire.



2 Mounting the Sensor on the Door Track



Loosen the wing nut on the mounting bracket. Slide the mounting bracket onto the garage door track and tighten the wing nut. Ensure the sensor is no higher than 6" (15cm) above floor. Tighten the wing nut so the safety beam sensor is secure on the door track.

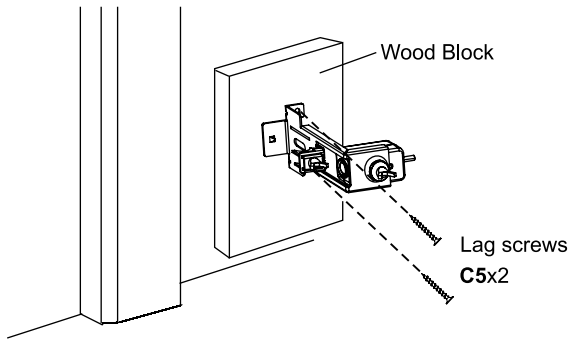


Follow the same procedure to install the sensor on the other track. Ensure they are on the same level facing each other.

INSTALL SAFETY BEAM SENSOR

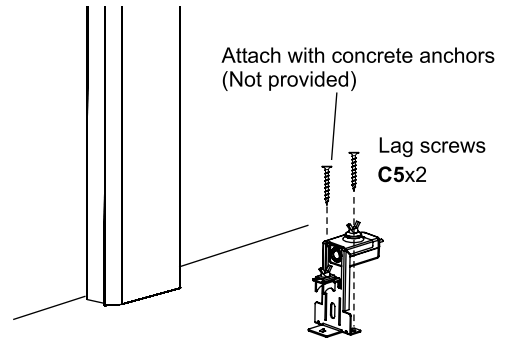
3 Mounting the Sensor on the Wall (Optional)

For wall mounting, use wood block to increase the depth and have enough clearance for the sensor beam to be unobstructed.



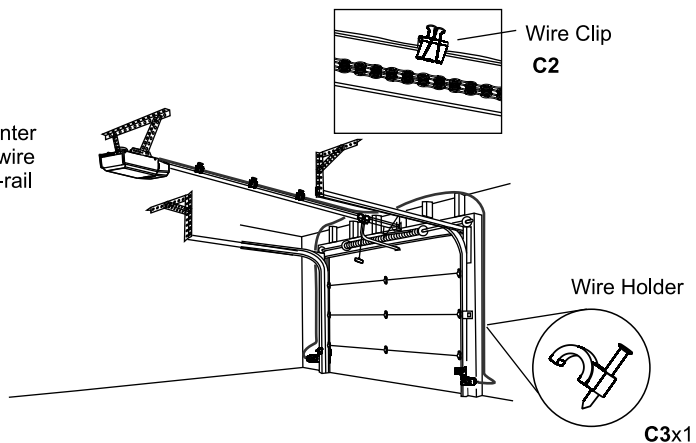
4 Mounting the Sensor on the Floor (Optional)

For floor mounting, use wood block to elevate the sensor brackets if necessary. Ensure the sensor is no higher than 6" (15cm) above floor. Fasten the screws to the floor with concrete anchors (Not Provided).



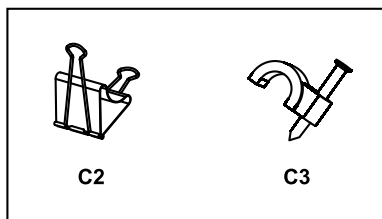
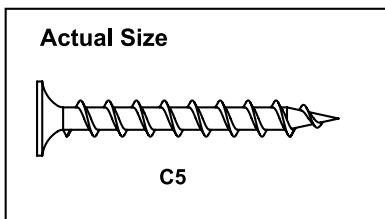
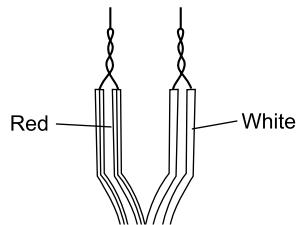
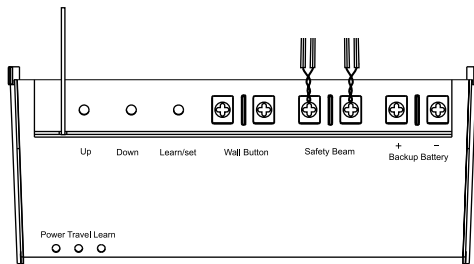
5 Route & Secure the Sensor Wires

Run the wires up the wall, then over to the center of the door. Secure the wires to the wall with wire holders. Run the wires along the top of the T-rail and secure them with 4 wire clips provided.



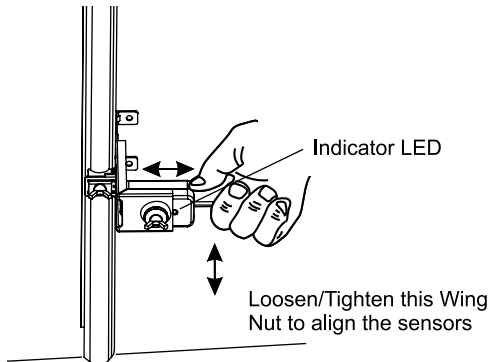
6 Connect the Wires to the Opener

Twist like colored wires together. Connect the wires to the "Safety Sensor" terminals. Wires are not polarity sensitivity (either wire to either terminals)



INSTALL SAFETY BEAM SENSOR

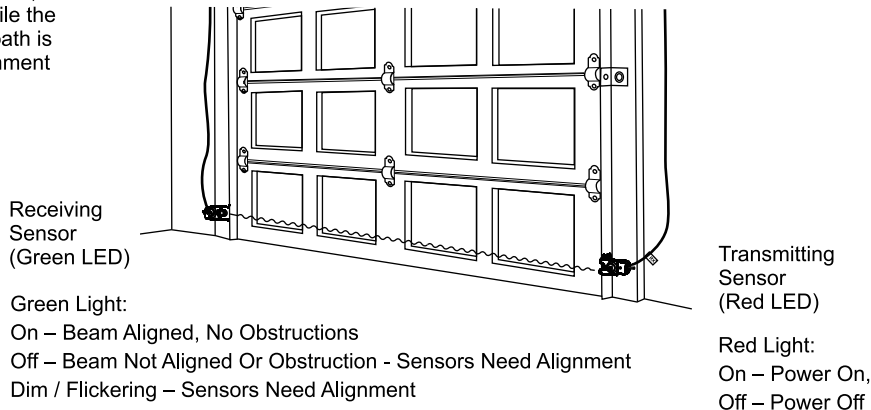
7 Check the Safety Beam Sensor LED



Plug in the opener. The receiving sensor indicator LED (green color) should glow steadily if the wiring and alignment are correct. The transmitting sensor indicator LED (red color) will glow steadily regardless of alignment or obstruction.

8 Align the Safety Beam Sensor

If the receiver LED is off, dim, or flickering (while the invisible light beam path is not obstructed), alignment is required.

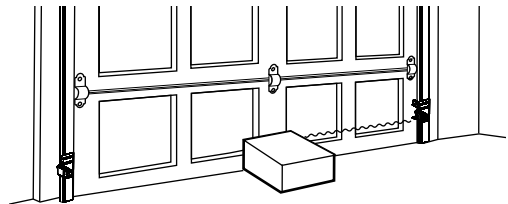


If the green LED on the receiving unit is on steadily, your safety sensors are aligned properly. If the green LED is flashing or off, loosen the wing nut on the receiving unit, adjust the angle until the green LED is on steadily, then tighten the wing nut.

Loosen the wing nut on the transmitting sensor (with RED LED on) and adjust the angle so it points toward the receiving unit.

9 Testing with Obstruction

With the sensors properly aligned, place an obstacle in the path of the beam. The transmitting sensor red LED should be on, the receiving sensor green LED should be off. Remove the obstacle, both LEDs should be on steadily.



Note:

Be sure to stay out of the beam's path while aligning

Note:

If the transmitting sensor LED does not glow steadily, check the following:

- I. Power to the Opener is connected
- II. A short in the white or white/red wires (from wire holders or at the openers terminals)
- III. Incorrect wiring between sensors and opener
- IV. A broken wire

If the transmitting sensor LED glows steadily but the receiving sensor LED doesn't glow:

- I. Check alignment
- II. Check for an open wire to the receiving sensor
- III. Check for dirt on lens, or sun shinning into lens

ADJUSTMENTS

Adjust the Up and Down Limits

Travel Limits

Travel Limits regulate how much the door travels, i.e. the fully open position and the fully closed position. When the door reaches either one of these preset positions, the door will stop. Since most doors require a different travel limit setting, you must set the travel limits in order for the opener to work properly.

Set the Up / Down Limits

1. Press and hold the "SET" button for 5 seconds until the red LED starts to flash. (Note: Yellow LED will flash for the first 5 seconds, do not release "SET" button during this period.)
2. Press the "Up" and "Down" button to set either the fully open position or the fully closed position. Depends on which travel limits you want to program first.
3. Once the door is at the desired position, press "SET". Red LED will be on steadily. You have set the first travel limit.
4. Set the other travel limit by pressing "Up" or "Down" again. Once the door is at the desired position, press "SET". Red LED will be off.
5. You have completed setting the travel limits. Please follow the procedures below to open and close the door for a complete cycle in order to set the opening and closing force.

Note: You can first program the up travel limits, then the down travel limits, or vice versa. It will not make a difference.

Note: Ensure the trolley is in the engaged position with the chain traveler while adjusting the travel limits.

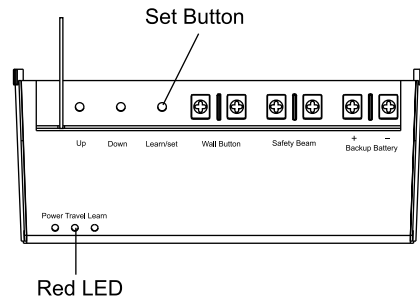
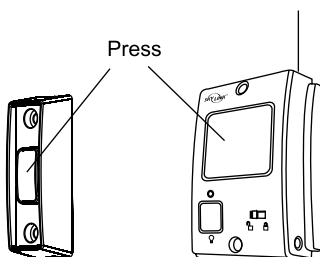
Automatic Opening / Closing Force Adjustment

The opener will adjust the opening and closing force automatically, so it operates at the most efficient setting. To allow the opener to adjust the opening and closing force automatically, operate the opener once after setting travel limits.

To operate the opener:

- Press the push button to open the door, until it reaches the fully open position
- Press the push button to close the door completely, until it reaches the fully closed position.

You have now finished setting the opening and closing force.



! WARNING

Without a properly installed safety reversal system, persons (particularly small children) could be seriously injured or killed by a closing garage door.

- Incorrect adjustment of garage door travel limits will interfere with proper operation of safety reversal system
- The door will move during the travel limits adjustment, stay clear of the opener's chain, door and all other moving parts
- Safety reversal system must be tested every month
- After adjusting the travel limits, user must allow the door to operate one complete cycle in order to allow the opener to re-adjust the opening and closing force
- After any adjustments are made, the safety reversal system must be tested. Door must reverse on contact with one-inch high object (or 2 X 4 laid flat) on the floor.

Note: After adjusting the Up / Down travel limits, the opener will re-adjust its opening and closing force during the first opening and closing cycle. Therefore, it is important to pay attention not to obstruct the door during the first opening and closing cycle after adjusting the travel limits. The opener has now finished adjusting the opening and closing force.

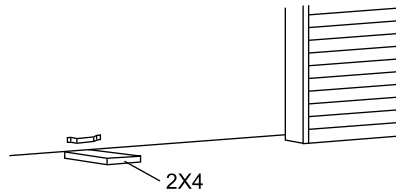
Note: During the force adjustment, do not obstruct the door's travel or the safety beam sensor.

In order to readjust the opening / closing force, you must first enter travel limit adjustment. Force adjustment will proceed automatically after travel limit adjustment sequence.

ADJUSTMENTS

Test Safety Reversal System

With the door fully open, place a 1-1/2" (3.8cm) board (or a 2X4 laid flat) on the floor, centered under the garage door. Close the door by pressing the push button. After making contact with the board, door must stop on striking the obstruction, then reverse to the fully open position.



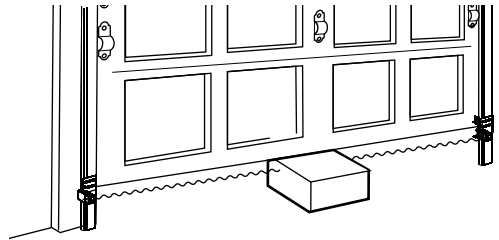
If the door fails to reverse:

- If the door stops on the obstruction, re-adjust the down travel limit as it is not traveling far enough in the down direction.
- Repeat the test until the door reverses on striking the obstruction.

Test Safety Beam Sensor System

To test the safety beam sensor system, open the door to the fully open position.

- 1) Place an obstacle (such as the opener carton) to break the safety infrared beam
- 2) Press the push button to close the door
- 3) The door should not move more than an inch, and the opener light will flash. If this does not happen:
 - Ensure the safety beam sensors are aligned properly (Refer to "Install Safety Beam Sensor System")
 - Ensure the obstacle is breaking the beam by checking the receiving sensor green LED is off
 - If everything fails, call for a trained door systems technician



! WARNING

Without a properly installed safety reversing sensor, persons (particularly small children) could be seriously injured or killed by a closing garage door.

OPERATION

IMPORTANT SAFETY INSTRUCTIONS

⚠ WARNING

To reduce the risk of severe injury or death:

1. **READ AND FOLLOW ALL INSTRUCTIONS CAREFULLY**
2. NEVER let children to operate or play with any garage door controls or remote controls. Always keep these controls away from children.
3. Always keep moving door in sight and away from people and objects until it is completely closed. **NO ONE SHOULD CROSS THE PATH OF THE MOVING DOOR.**
4. Only activate garage door when it can be seen clearly, it is properly adjusted, and there are no obstructions to door travel.
5. No one should go under a stopped, partially open door.
6. Test the door opener monthly. The garage door **MUST** reverse on contact with a 1-1/2" high object (2x4 laid flat) on the floor. Retest the door opener after adjusting the travel limits. Failure to Adjust the opener properly may cause severe injury or death.
7. If possible, use the red emergency release only when the door is closed. Use caution when using this release with the door open. Weak or broken springs may allow the door to fall rapidly, causing severe injury or death.
8. Never use handle to pull garage door open or closed. If rope knot becomes untied, you could fall.
9. **KEEP GARAGE DOORS PROPERLY BALANCED.** (See Garage Door Opener Maintenance) An improperly balanced door could cause severe injury or death. Have a qualified service person make repairs to cables, spring assembly and other hardware.
10. Disconnect the electrical power to the garage door opener before making any repairs or removing the housing cover.
11. **SAVE THESE INSTRUCTIONS.**

Operating the Door

Activate your opener with any of the following:

- Press the push button or wall button
- Press the assigned button on the Remote Control



Depends on the status of the garage door opener and the position of the garage door, the garage door opener behaves differently:

- If the door is closed, activating it will open the door.
- If the door is open, activating it will close the door.
- If the door is closing, activating it will stop the door.
- If the door is opening, activating it will stop the door.

If the door is obstructed during operation, the garage door opener will:

- If obstructed while opening, the door will stop.
- If obstructed while closing, the door will reverse.
- The opener light will flash if the opener is obstructed during operation

Opener Light

The opener light will turn on:

- When the opener is plugged in (light will be off automatically after 3 minutes)
- When the opener is activated (light will be off automatically after 3 minutes)
- The light button is pressed on the wall console

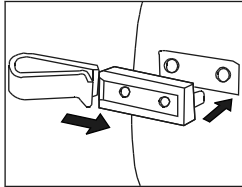
Light will start to dim down slowly after 2-1/2 minutes and completely off at 3 minutes. The dimming feature gives you indication that the light will be off soon. You can manually turn on the light with the Wall Console. Refer to page 23, Wall Button section of the instructions.

Note: Use only standard tungsten light bulb. Dimming feature would only function properly with tungsten bulb, not energy saving bulb.

OPERATION

Remote Control

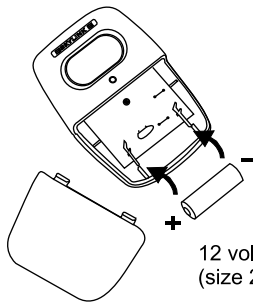
To activate the opener with remote control, hold down the button until the door starts to move. When the button is pressed, the light indicator on the remote will flash. For remote with multiple buttons, ensure to press the button that is programmed to the desired opener.



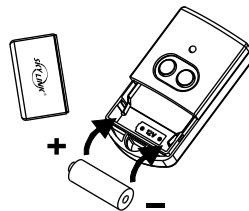
Visor Clip - Install the visor clip to the remote as shown.

Battery Replacement

All remotes come with battery installed. To replace the battery, follow the instructions below.



12 volt alkaline battery (size 23A) included.



12 volt alkaline battery (size 23A) (included). It is time to change the battery when the red LED on the transmitter does not turn on when either button is pressed.



WARNING

To prevent possible serious injury or death:
- Never allow small children near batteries
- If battery is swallowed, immediately notify doctor.



Wall Button

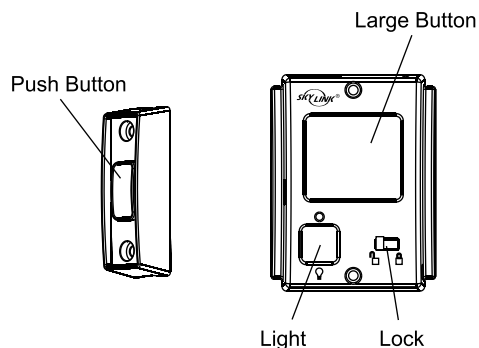
Press the push button or the large button on the wall console to activate the garage door opener.

On the Wall Console, there are 2 additional features:

- 1) Light Feature 
- 2) Lock Feature 

The light button can be used to turn the opener light on or off. The automatic timer is ignored meaning the light will remain on until the button is pressed again.

The lock button (also known as Vacation Button) can be used to lock out all remote control transmitters. The door can still be activated by wall control panel. Simply slide the switch to the locked position , the opener will ignore all the radio signals. To unlock, slide the switch to the unlocked position .



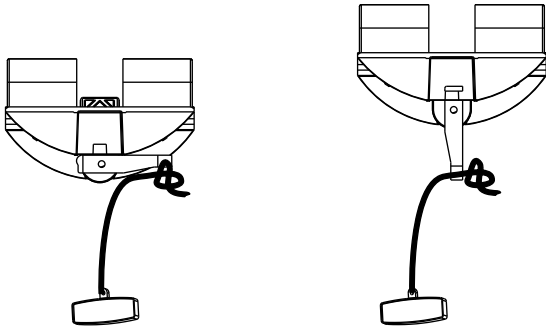
OPERATION

To Open the Door Manually

In case of a power failure or if the door becomes obstructed, pull the red trolley release handle to disengage the opener from the door.

Flip the trolley release level up and raise or lower the door to re-engage the opener.

Use caution if the door is open while disengaging, the door may drop.



! WARNING

To prevent possible serious injury or death from a falling garage door:

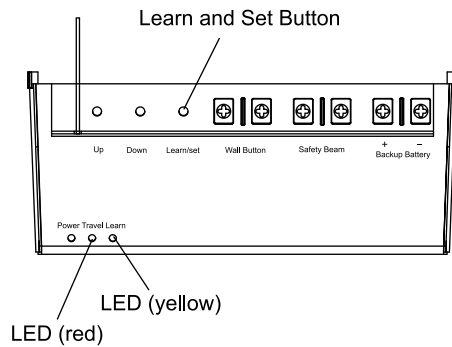
- If possible, use emergency release handle to disengage trolley only when garage door is closed. Weak or broken springs or unbalanced door could result in an open door falling rapidly and / or unexpectedly.
- Never use emergency release handle unless garage doorway is clear of persons and obstructions.
- Never use handle to pull door open or closed. If rope knot becomes untie, you could fall.

PROGRAMMING

Program Remote Controls

Follow the procedures below to program additional remote controls.

- 1) Press the "Learn" button, yellow LED will flash for 30 seconds
- 2) Within 30 seconds, press the button on the remote that you would like to program to the opener
- 3) Once the button is programmed, the yellow LED will be off



Erase All Remote Controls from Opener

To erase any unwanted remote, first erase all remotes.

- 1) Press and hold the "Set" button for 10 seconds, until the yellow LED stays on steadily.
- 2) Release the "Set" button to complete the operation.

You have now erased all the programmed remote controls. Reprogram each remote you wish to use.

Note: While pressing and holding the "Set" button, the yellow LED and the red LED will flash. Do not release the button until the yellow LED is steadily on.

MAINTENANCE

Once a Month

- Test the door balance. Manually operate door. If it is unbalanced or binding, call a trained door systems technician
- Check to be sure door opens and closes fully. Adjust limits and / or force if necessary
- Test the Safety Beam Sensor System and Safety Reversal Test

Once Every Six Months

- Check the Chain Tension. Turnbuckle should be slightly above the rail. Refers to page 7 to adjust the chain tension.

Once a Year

- Oil the door rollers, bearings and hinges.

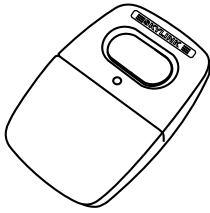
TROUBLE SHOOTING

Opener does not operate from either wall button or remote.	<ul style="list-style-type: none"> - Check the opener's AC outlet has power. Plug a lamp into the outlet to check. If it does not turn on, check fuse box or circuit breaker. - Check the wall button wiring at the wall button's and opener's terminals and be sure the remote is programmed into the opener.
Opener tries to operate, but the door does not move	<ul style="list-style-type: none"> - A door spring may have been broken. Visually inspect the door hardware for any broken springs. Have a qualified garage door service professional repair the door if any door hardware is broken. - In cold weather climates, check that the door is not frozen to the ground or that snow buildup is not blocking the door.
Opener operates from remote but not from wall button	<ul style="list-style-type: none"> - Ensure the wiring connections are correct. - Is the wall button lit? If not, disconnect low voltage wires to wall button and momentarily touch them together. If opener runs, replace wall button. If not, check wiring connections at opener and check wire for shorts or breaks under wire holder.
Opener operates from wall button but not remote.	<ul style="list-style-type: none"> - Is the wall console in lock mode? - Does remote indicator light glow when remote button is pressed? If not, replace the battery - Has the opener learned the code of the remote? Repeat remote programming steps on page 25.
Door does not open completely	<ul style="list-style-type: none"> - Is something obstructing the door? Remove obstructions only after ensuring door area is free of persons, and any other objects. - If door has been working properly but now doesn't open all the way, reset the travel limit adjustment. Ensure to run a complete opening and closing cycles to reset the force adjustment as well. Follow instructions on page 20.
Door does not close completely	<ul style="list-style-type: none"> - Is something obstructing the safety beam sensor? Ensure the receiving beam sensor's LED is on. - Is something obstructing the door? Remove obstructions only after ensuring door area is free of persons, and any other objects. - If door has been working properly but now doesn't open all the way, reset the travel limit adjustment. Ensure to run a complete opening and closing cycles to reset the force adjustment as well. Follow instructions on page 20.
Opener light stays on	<ul style="list-style-type: none"> - It is normal for the opener's light to stay on for about 3 minutes after each activation - If the opener's light was turned on by the light button on the Wall Console, it will stay on until the light button is pressed again to turn the light off
Opener activates by itself	<ul style="list-style-type: none"> - Check all remotes programmed into the opener. Check for items pressing on any remote's button. - If a remote has been stolen, erase the opener's memory (Refer to page 25) to prevent the lost remote from activating the opener. Re-program the remaining remotes into the opener (Refer to page 25) - Check the wiring between the wall button and the opener. Look for any wire holder that have cut into the wire's insulation, or wire that has been pinched by another object. Replace any bad wiring. - Examine the wiring at the opener's terminals and at the wall button's terminals. Look for any wire strands that are close to or touching adjacent terminals.

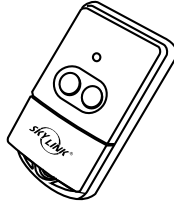
TROUBLE SHOOTING

Door reverses for no apparent reason	<ul style="list-style-type: none">- The door hardware may be binding causing the close door force setting to be exceeded. Disengage the trolley and manually check the door movement and balance. Lubricate the door hardware as recommended by the garage door manufacturer.- Re-adjust the travel limits and force adjustments to ensure the automatic force adjustment is set properly.- Ensure the safety beam sensor is securely fastened and no sun light is shining directly onto the receiving sensor.
Opener is noisy	<ul style="list-style-type: none">- Adjust the chain tension (Refer to page 7)- Lubricate the door hardware as recommended by the garage door manufacturer
Opener won't work due to power failure	<ul style="list-style-type: none">- Use the emergency release handle to disconnect the opener from the door. The door can be opened or closed manually until power is restored.

ACCESSORIES



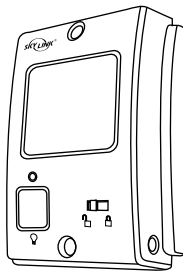
Model G6V
Visor Remote



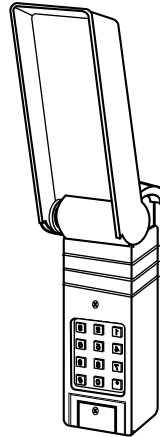
Model G6T2
2-Button Keychain Remote



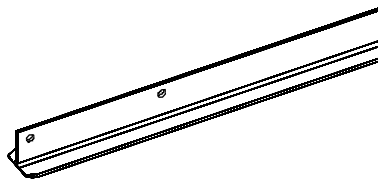
Model G6T4
4-Button Keychain Remote



Model WB-300
Wall Console



Model G6K
Keyless Entry
Remote



Model EK-008
8-Foot High Door Extension Kit

Model EK-010
10-Foot High Door Extension Kit

FCC

This device complies with Part 15 of the FCC Rules. Operation is subject to the following two conditions: (1) This device may not cause harmful interference, and (2) This device must accept any interference received, including interference that may cause undesired operation.

WARNING:

Changes or modifications to this unit not expressly approved by the party responsible for compliance could void the user's authority to operate the equipment.

NOTE:

This equipment has been tested and found to comply with the limits for a Class B digital device, pursuant to Part 15 of the FCC Rules. These limits are designed to provide reasonable protection against harmful interference in a residential installation. This equipment generates, uses and can radiate radio frequency energy and, if not installed and used in accordance with the instructions, may cause harmful interference to radio communications.

However, there is no guarantee that interference will not occur in a particular installation. If this equipment does cause harmful interference to radio or television reception, which can be determined by turning the equipment off and on, the user is encouraged to try to correct the interference by one or more of the following measures:

- Reorient or relocate the receiving antenna.
- Increase the separation between the equipment and receiver.
- Connect the equipment into an outlet on a circuit different from that to which the receiver is connected.
- Consult the dealer or an experienced radio/TV technician for help.



If you would like to order Skylink's products or have difficulty getting them to work or download latest information and user manual, please :

1. visit our FAQ section at www.skylinkhome.com, or
2. email us at support@skylinkhome.com, or
3. call our toll free at 1-800-304-1187 from Monday to Friday, 9 am to 5 pm EST.

CUSTOMER SERVICE

17 Sheard Avenue, Brampton, Ontario,
Canada L6Y 1J3 Tel : (905) 456-8883
Fax : (905) 456-7819
Email : support@skylinkhome.com

©2009 SKYLINK GROUP

Limited Warranty

Skylink Group (the Company) warrants to the original purchaser that products delivered hereunder will be free of defects in material and workmanship for the period listed below from the date of purchase.

Electronics & Mechanical: 1 Year
Motor: 6 Years

The Company within said period shall at its option, either repair or replace free of charge, any product or part thereof found, upon the Company's inspection, to be so defective, and will return the repaired or replaced product to the purchaser at Company's expense.

For warranty service and shipping instructions contact 1-800-304-1187. Devices must be sent to the Company at owner's expense and be accompanied with statement of defect and proof of purchase.

This warranty is conditioned on the following:

- 1) The Company must be notified within the period of the warranty from the date of purchase and have been given the opportunity of inspection by return of any alleged defective product free and clear of all liens and encumbrances to the Company or its distributor; and
- 2) The product must not have been abused, misused or improperly maintained and/or repaired during such period; and
- 3) Such defect has not been caused by corrosion or exposure to other than ordinary wear and tear.

THE COMPANY MAKES NO OTHER WARRANTY OR REPRESENTATION OF ANY KIND WHATSOEVER EXPRESS OR IMPLIED, AND ALL IMPLIED WARRANTIES INCLUDING ANY WARRANTY OF MERCHANTABILITY OR FITNESS FOR A PARTICULAR PURPOSE ARE HEREBY DISCLAIMED.

The Company's maximum liability hereunder is limited to the purchased price of the product. In no event shall the Company be liable for any consequential, indirect, incidental or special damages of any nature arising from the sale or use of the product, whether based in contract, tort, strict liability or otherwise.

Note: Some states do not allow limitations on incidental or consequential damages or how long an implied warranty lasts so that the above limitations may not fully apply. This warranty gives specific legal rights and you may also have other rights which may vary from state to state.