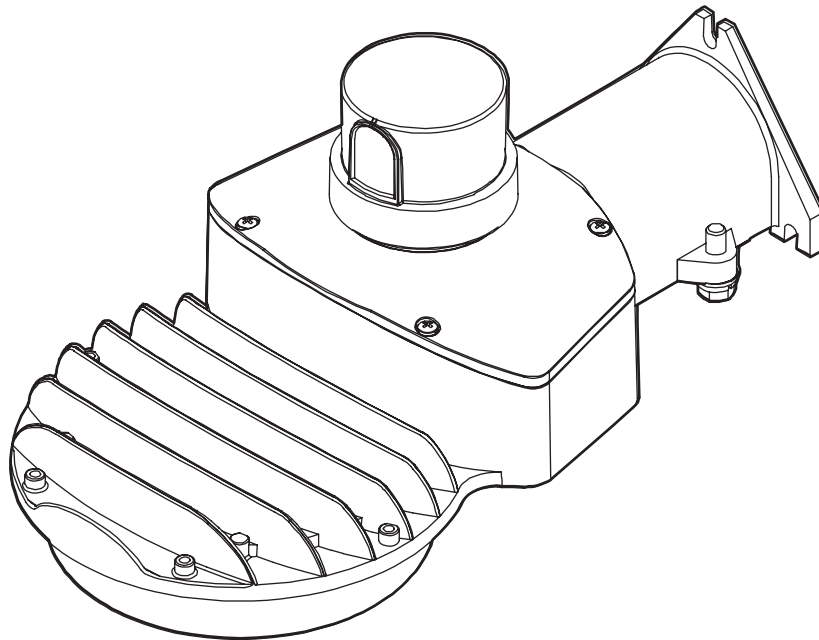


# USE AND CARE GUIDE

---

## ASTRA LED AREA LIGHT



Questions, problems, missing parts? Before returning to the store,  
call Commercial Electric Customer Service  
9 a.m. - 5 p.m., EST, Monday - Friday

**1-844-548-3776**

**HOMEDEPOT.COM**

---

**THANK YOU**

*We appreciate the trust and confidence you have placed in Commercial Electric through the purchase of this LED area light. We strive to continually create quality products designed to enhance your home. Visit us online to see our full line of products available for your home improvement needs. Thank you for choosing Commercial Electric!*


# Table of Contents

Safety Information .....	2	Hardware Included .....	3
Warranty .....	2	Package Contents .....	4
Limitation of Liability .....	3	Preparing for Installation .....	5
To Claim .....	3	Installation .....	5
Pre-Installation .....	3	Operation .....	8
Planning Installation .....	3	Care and Cleaning .....	9
Tools Required .....	3	Troubleshooting .....	9

## Safety Information

THIS PRODUCT MUST BE INSTALLED IN ACCORDANCE WITH THE APPLICABLE NATIONAL ELECTRICAL CODE AND LOCAL BUILDING CODES BY A PERSON FAMILIAR WITH THE CONSTRUCTION AND OPERATION OF THE PRODUCT AND THE HAZARDS INVOLVED.

- Please read and understand this entire manual before attempting to assemble, install, or operate this light fixture.
- This light fixture requires a 120-277 Volt AC power source.
- Some codes require installation by a qualified electrician.
- This light fixture must be properly grounded.
- Make sure connections are secure using wire nuts, crimp-on lugs or other UL approved connecting devices.
- This light fixture should be installed outdoors to a wall or a pole.
- Always turn OFF the power before adjusting or servicing this light fixture, wear rubber soled shoes and use a wooden or insulated (non-grounded) ladder.
- This product may contain chemicals known to be hazardous. Thoroughly wash hands after installing, handling, cleaning or otherwise touching the product.


 **WARNING:** Before installation or servicing, turn the power OFF at the circuit breaker or fuse. Place tape over the circuit breaker switch and verify power is OFF at the light fixture.

 **WARNING:** Risk of fire. Keep the lamp heads at least 3 in. (76 mm) from combustible materials.

 **CAUTION:** Burn hazard. Allow the light fixture to cool before touching.

**NOTICE:** Do not connect this fixture to a dimmer switch.

**NOTICE:** FCC Regulations state that any unauthorized changes or modifications to this equipment not expressly approved by the manufacturer could void the user's authorization to operate this equipment.

 **IMPORTANT:** This equipment has been tested and found to comply with the limits for a Class B digital device, pursuant to Part 15 of the FCC rules. These limits are designed to provide reasonable protection against harmful interference in a residential installation. This equipment generates, uses, and can radiate radio frequency energy and, if not installed and used in accordance with the instructions, may cause harmful interference to radio communications. However, there is no guarantee that interference will not occur in a particular installation. If this equipment does cause harmful interference to radio or television reception, which can be determined by turning the equipment OFF and ON, the user is encouraged to try to correct the interference by one or more of the following measures:

- Reorient or relocate the receiving antenna.
- Increase the separation between the equipment and receiver.
- Connect the equipment into an outlet on a circuit different from that to which the receiver is connected.
- Consult the dealer or an experienced radio/TV technician for help.

## Warranty

This is a limited warranty offered by the manufacturer for a period of five years from the date of purchase to its customers. The manufacturer warrants to customers that the products will be free from defects in material and workmanship. The obligation of the manufacturer under this warranty is limited to the provision of replacement of products and is extended to the original purchaser of the product on presenting valid purchase receipt or other proof of date of original purchase acceptable to the manufacturer. The receipt is required for rendering the warranty performance. Any warranty claims without original proof of purchase would not be accepted.

It should be noted that the warranty does not apply to the manufacturer products that have been altered or repaired by unauthorized personnel, have been subjected to neglect, abuse, misuse or accident or damages caused during shipping. Any other products not manufactured by the manufacturer which have been supplied, installed and/or used in conjunction with the manufacturer products are not covered under this warranty. Any damages caused by replacements bulbs, LEDs or corrosion or discoloration of brass components are also not covered by this warranty.

## Warranty (continued)

### LIMITATION OF LIABILITY

In no event shall the manufacturer be liable for indirect, consequential, incidental or special damages, or lost profits. The manufacturer is not liable for any claims or damage arising out of or connected with the manufacture, sale, delivery, use, maintenance and repair or modification of the manufacturer products, or supply of any replacement parts that exceed the purchase price of the manufacturer products giving rise to a claim. Labor charges to remove or install the fixtures will not be accepted.

### TO CLAIM

Please contact The Home Depot customer service at 1-844-548-3776 or email support@homedepot.com and include your name, address and contact number, along with a copy of the purchase receipt and a brief description of the problem.

## Pre-Installation

### PLANNING INSTALLATION

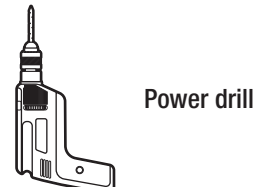
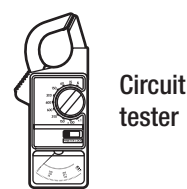
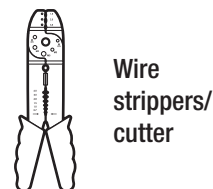
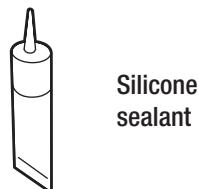
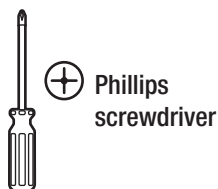
Before installing the light fixture, ensure that all parts are present. Compare parts with the Hardware Included and Package Contents sections. If any part is missing or damaged, do not attempt to assemble, install, or operate this light fixture.

Estimated installation time: 20 minutes

### SPECIFICATIONS

MODEL	ASTRA 55W	ASTRA 75W
Lumens (Light Output)	7000 Lumens	9000 Lumens
Watts (Power Consumption)	55 Watts LED	75 Watts LED
Replaces	175 Watt Metal Halide	250 Watt Metal Halide
Lumens/Watts (Efficacy)	127 Lumens per watt	120 Lumens per watt
Power Requirements (Input Voltage)	120–277VAC	
Light Color (CCT)	4000 Kelvins (Bright White)	
Dimmable	Non-Dimming (Do not wire to dimming switch.)	
Operating Modes	<b>Dusk-to-Dawn:</b> Automatically turns light fixture ON during night and OFF during day.  <b>Switch-Controlled:</b> Flip switch to turn light fixture ON and OFF. <i>Use included light sensor cap on fixture's light sensor to utilize this mode setting.</i>	

### TOOLS REQUIRED

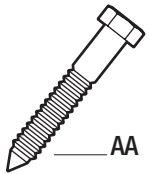


# Pre-Installation (continued)

## HARDWARE INCLUDED



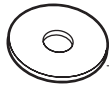
**NOTE:** Hardware not shown to actual size.



AA



BB



CC



DD



EE

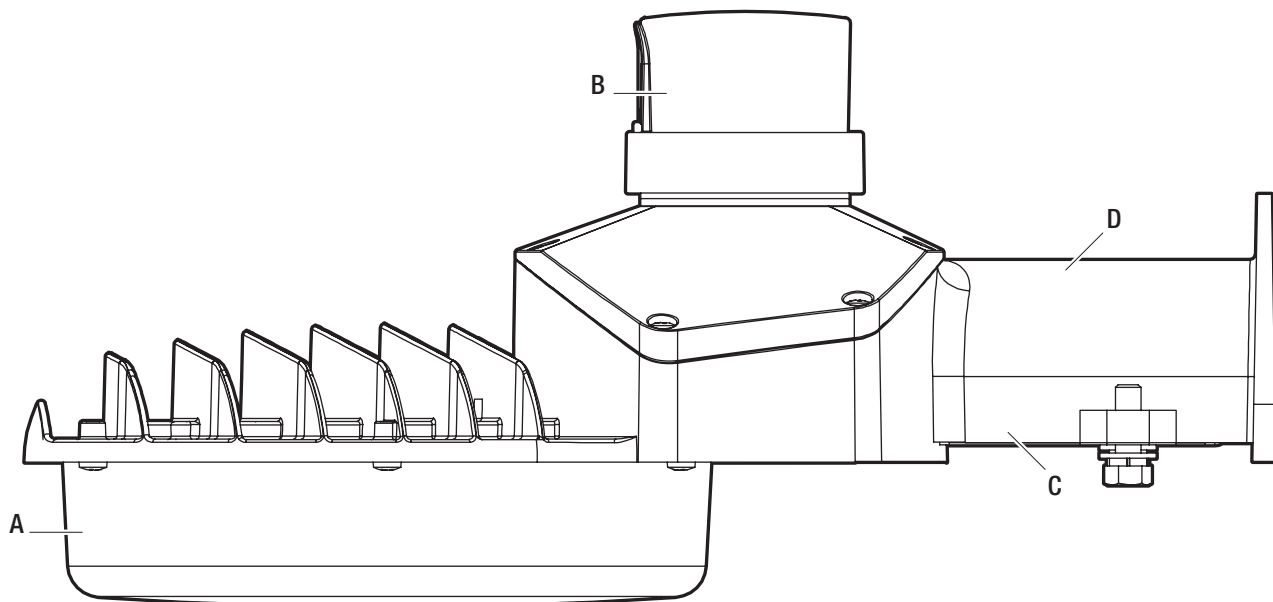


FF

Part	Description	Quantity
AA	Hex head lag bolt	3
BB	Wire nut	3
CC	Flat washer	3

Part	Description	Quantity
DD	Photocell black cover label	1
EE	Mounting bracket	1
FF	Rubber grommet	1

## PACKAGE CONTENTS



Part	Description	Quantity
A	Light fixture	1
B	NEMA Twist-lock 3-pin photocell (provided separately in the box)	1
C	Wire cover plate	1
D	Fixture arm	1

## Preparing for Installation



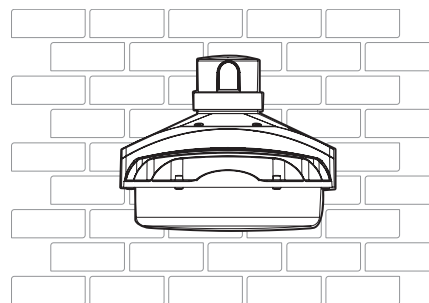
**CAUTION:** Do not try to rotate the photocell receptacle on top of the fixture as it may twist the wiring.



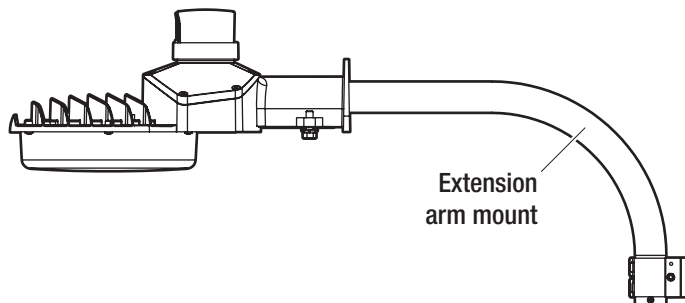
**NOTE:** Make sure the photocell is locked on the receptor. Do not over rotate after it is locked.

Review this information to ensure a successful installation:

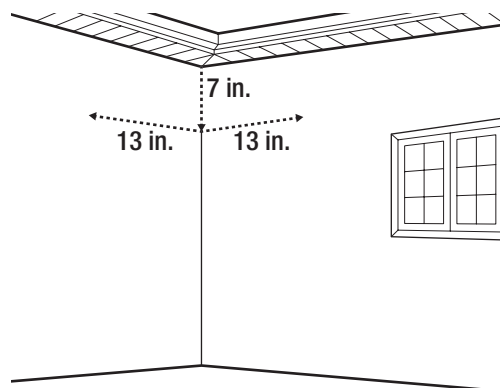
- Install the light 10 - 30 ft. above the ground.
- Place the photocell (provided separately in the box) on the receptor on top of the fixture and rotate in the direction of the arrow marked on the photocell.
- When mounting the fixture, ensure the photocell is in an area that receives daylight and is not too close to reflective surfaces in order to ensure successful Dusk-to-Dawn operation.
- When installing two fixtures on one switch, make sure the switch is rated for at least a 1A inductive load.
- Do NOT wire to a dimming switch.
- When mounting to a wall, make sure the fixture is 7 in. on center away from an eave and 13 in. on center away from the inside corner of the exterior wall.



Wall mount



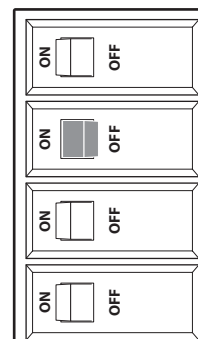
Extension arm mount



## Installation

### 1 Turning off the electricity

- Verify the wall switch is in the OFF position.
- Turn off power at the circuit breaker that supplies power to the outlet box you are working on.
- For screw-in type fuses unscrew the fuse that supplies power to the outlet box you are working on.



## Installation (continued)

### 2 Attaching the photocell on the fixture



**CAUTION:** Do not try to rotate the photocell receptacle on top of the fixture as it may twist the wiring.



**NOTE:** The fixture comes with the twist-lock photocell (B) provided separately in the box.

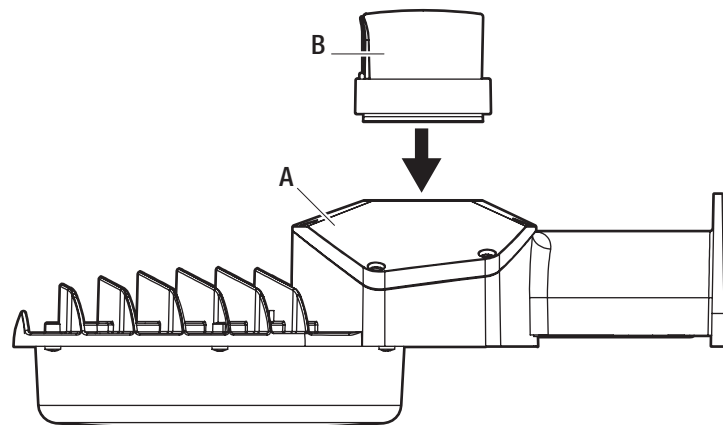


**NOTE:** The light fixture will not work without the photocell inserted into the photocell receptacle as it completes the circuit.



**NOTE:** Make sure the photocell is locked on the receptor. Do not over rotate after it is locked.

- **OPTIONAL:** To deactivate the automatic dusk-to-dawn functionality, place the included photocell cover sticker (DD) on the photocell (B) window.
- Place the photocell (B) onto the receptacle on top of the fixture (A).
- Twist the photocell (B) in the direction of the arrow indicated on the photocell until it locks into place.



### 3 Preparing to mount the fixture

#### Wall mount



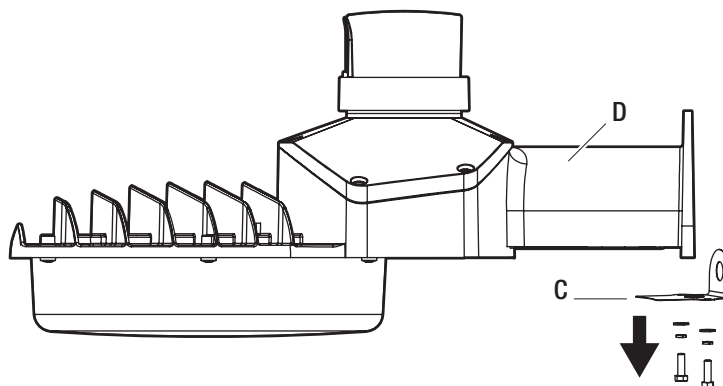
**NOTE:** The fixture comes with the wire guard protection plate (C) already installed on the fixture arm (D).

- Remove the wire guard protection plate (C) from the arm (D) of the fixture by loosening the screws.
- Mark and pre-drill the three holes on the desired location of the mounting surface.

#### Extension arm mount

- Remove the wire guard protection plate (C) from the arm (D) of the fixture by loosening the screws.
- Refer to this table for help in using the correct hardware based on your mounting surface material.

Mounting Surface	Hardware
Brick	1/4 in. Hex head sleeve anchor (not supplied)
Wood pole	1/4 in. Lag bolts (supplied)
Masonry block	1/4 in. Toggle bolts (not supplied)
Metal wall panels	1/4 in. bolts, nuts, washers, and flat backing plate (not supplied)



## Installation (continued)

### 4 Mounting the fixture

- Feed supply wires through the arm (D).

#### Wall mount

- Using the fixture (A) as a template, mark and pre-drill the three mounting holes.
- Partially screw the bottom hex bolts (AA) with washers (CC) and place the fixture's two bottom mounting grooves onto the bottom bolts (AA).
- Then insert the top bolt (AA) and washer (CC) and tighten all bolts to firmly secure the fixture to the surface.



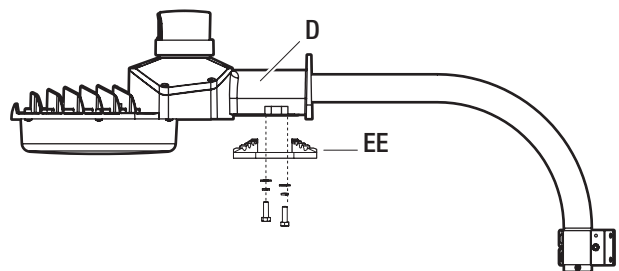
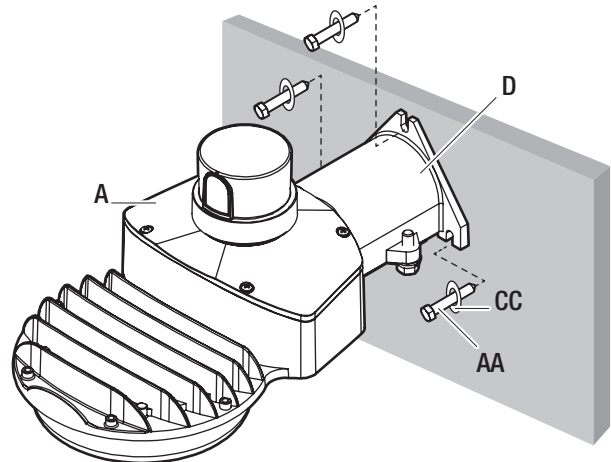
**NOTE:** Use other suitable bolts or fasteners as applicable to your mounting surface.

#### Extension arm mount

- Secure the extension arm (not included) to the light fixture arm (D) using the included arm mounting bracket (EE) and the screws removed earlier, until the bracket pushes firmly against the arm mount.



**IMPORTANT:** The extension arm is sold separately. If you need to purchase the extension arm please contact your retail store. Installation instructions for the extension arm are available in the instructions sheet provided in the extension arm package.



### 5 Making the electrical connections

#### Wall mount

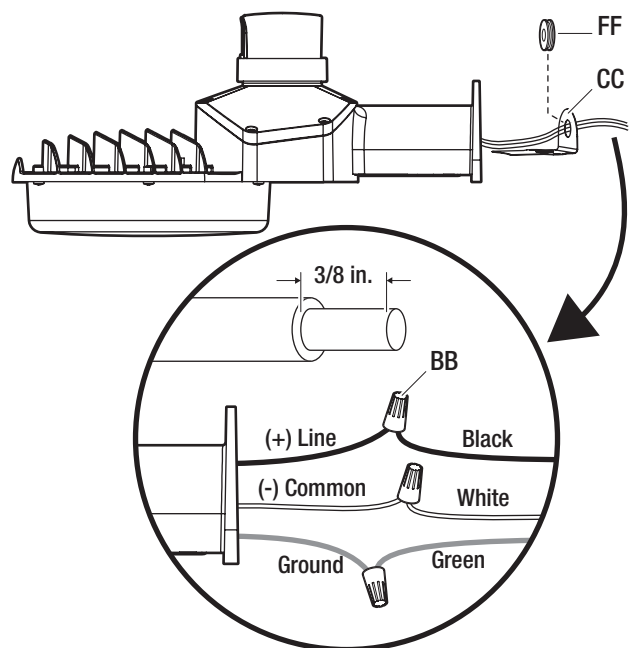
- Place the rubber grommet (FF) into the hole of the wire cover plate (C).
- Thread the wires through the hole in the wire cover plate (C).

#### Wall and extension arm mount

- If necessary, strip 3/8 in. of insulation from the junction box or fixture (A) wires.
- Connect the black light fixture wire to the black supply wire using the supplied wire nut (BB) or a UL approved wire connector. Connect the white light fixture wire to the white supply wire using the supplied wire nut (BB) or a UL approved wire connector. See wire nut instructions in "NOTE" below.
- Connect the green light fixture wire to the green grounded supply wire using the supplied wire nut (BB) or a UL approved wire connector.



**NOTE:** Hold stripped ends near each other and align any frayed strands (do not twist wires). Push the wires into the wire nut (BB) and use your fingers to twist the wire nut clockwise until tight. Check for tightness by pulling wires.

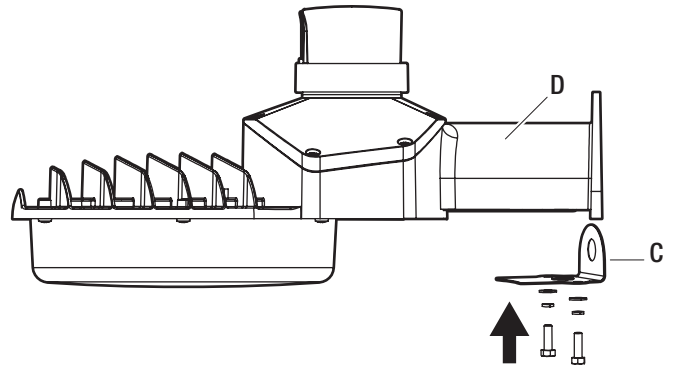


## Installation (continued)

### 6 Securing the fixture and wiring

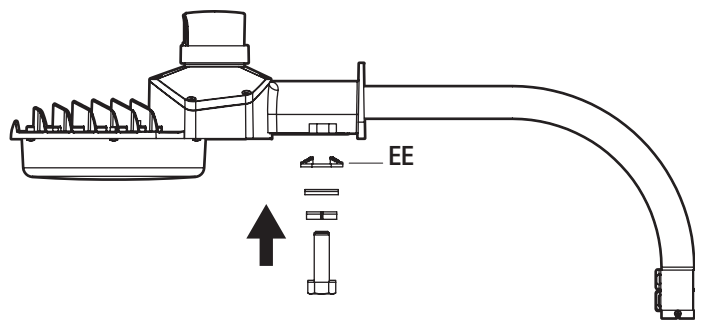
#### Wall mount

- Once the fixture is wired, place the wire cover plate (C) on the arm (D) by tightening the two screws and washers removed earlier.



#### Extension arm mount

- After wiring is complete, secure the fixture on the extension arm using the arm mounting bracket (EE) by tightening the screws and washers removed earlier, until the arm mounting bracket (EE) pushes firmly against the pole.



## Operation

### Selecting Dusk-to-Dawn or Switch-Activated Control

#### Option 1: Dusk-to-dawn operation

Dusk-to-dawn operation enables the light fixture to automatically turn ON when dark outside and turn OFF when the sun rises, thus saving you energy.

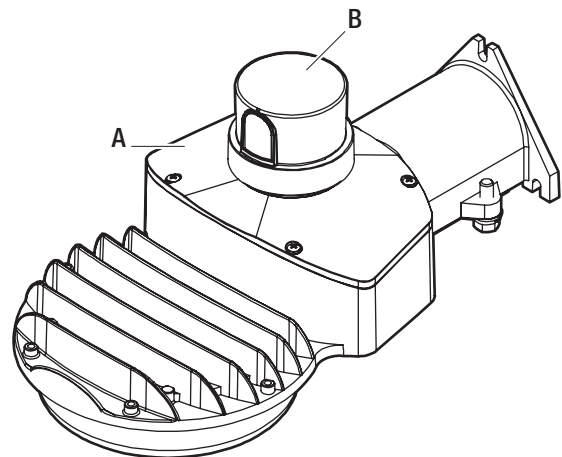
- To enable dusk-to-dawn operation make sure the photocell (B) is exposed to light and is unobstructed.
- Ensure the switch powering the outlet connected to the light fixture is turned to the ON position and leave it ON at all times to enable dusk-to-dawn functionality to operate automatically.



**NOTE:** If the photocell (B) is located in an area under heavy shade the photocell may not detect enough light and may turn the light fixture on.



**NOTE:** To test if the light fixture (A) and photocell (B) works properly, run power to the fixture and cover the photocell to turn the fixture ON. Shine a light into the photocell to see if the fixture turns OFF.



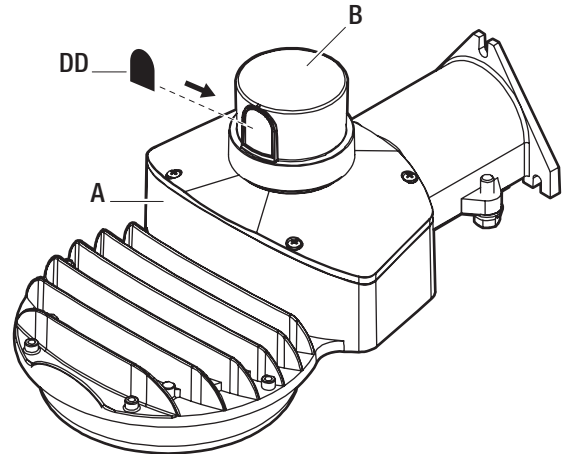


## Operation (continued)

### Option 2: Switch controlled

Switch controlled operation enables the light fixture to turn ON and OFF by flipping a switch that controls the electricity to the outlet powering the fixture. The light fixture will not turn ON and OFF automatically, but is manually controlled.

- To enable switch activated operation, apply the photocell black cover label (DD) on the photocell (B) window.



## Care and Cleaning

- Shut off the main power supply before cleaning the product. To prolong the original appearance, clean the light fixture with clean water and a soft, damp cloth only.
- Do not use abrasive cleaners or cleaners that contain alcohol. Do not apply paints, solvents, or any other chemicals on this light fixture. They could cause a premature deterioration of the finish and may void the warranty.
- Do not spray the light fixture with a hose or power washer.

## Troubleshooting

Problem	Possible Cause	Solution
The light does not turn ON.	There is no power to the fixture.	<ul style="list-style-type: none"> <li>□ Check if circuit breaker is tripped.</li> <li>□ Confirm wall switch is ON. Verify wiring to the fixture is correct (turn power OFF to fixture beforehand).</li> </ul>
	The fixture senses daylight.	Cover the photocell. Wait a short time until the fixture turns ON.
The light cycles ON and OFF continuously.	The photocell light sensor is sensing reflected light.	<ul style="list-style-type: none"> <li>□ Relocate the light fixture to a location where there is no reflected light.</li> <li>□ OR place the optional photocell cover over the photocell light sensor and use the wall switch to turn the light ON and OFF.</li> </ul>
The light flickers.	The light fixture is wired through a dimmer switch.	Do not use a dimmer switch to control the light fixture. Replace the dimmer with a standard ON/OFF switch.
The light stays ON.	The light sensor is in a shaded area.	<ul style="list-style-type: none"> <li>□ Shine a flashlight into the light sensor and wait a minute. If the light turns OFF, the fixture should be moved to a location with enough light in the daylight hours for the light sensor to work.</li> <li>□ OR place the optional opaque cover over the photocell light sensor and use the wall switch to turn the light ON and OFF.</li> </ul>
	The light sensor is faulty.	If the light does not turn OFF when a flashlight is shined on the light sensor for a minute, then the sensor may be faulty. Please contact customer service.



**NOTE:** Photocell (B) has a short delay in order to reduce its sensitivity to sudden light changes. When testing, shine a light and cover the photocell for a short time to check if the fixture functions properly.



Questions, problems, missing parts? Before returning to the store,  
call Commercial Electric Customer Service  
9 a.m. - 5 p.m., EST, Monday-Friday

**1-844-548-3776**

**HOMEDEPOT.COM**

Retain this manual for future use.