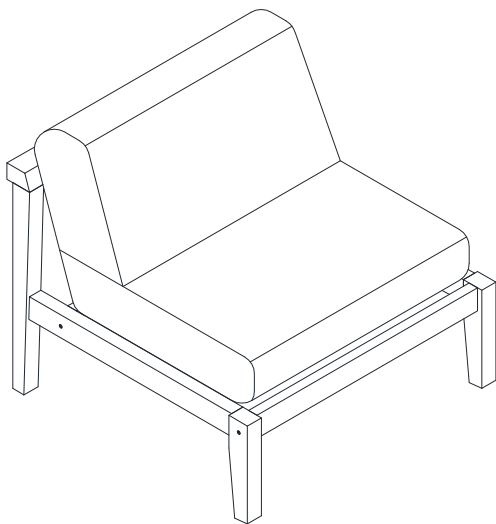





Thank you for purchasing the **MODWAY CHAIR!**

Before you start, here is some helpful advice:

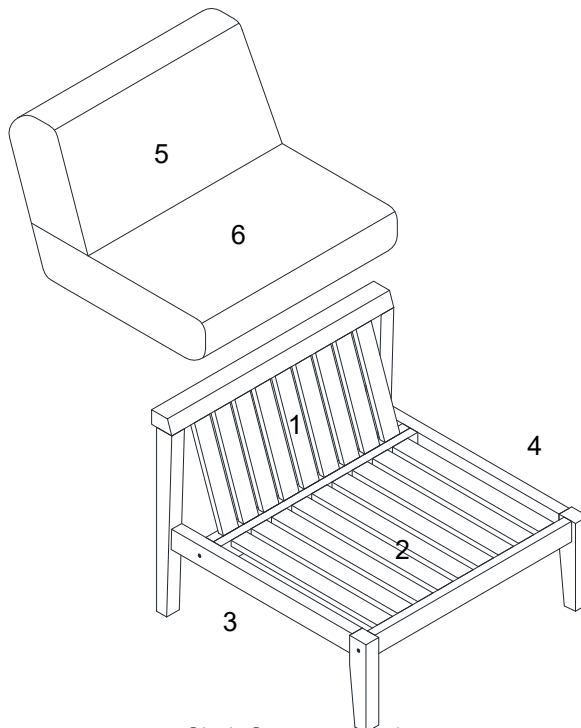
1. We suggest you spend a short time reading through this leaflet and then follow the simple step by step instructions.
2. Owing to the size and weight of the chair, we recommend that it is assembled by two adults, on a carpeted or padded area, in the room that it is intended for. Approximate assembly time: 30 minutes.
3. Please do not use any tools other than those provided or recommended in these instructions.
4. Please do not throw away any of the packaging or instructions until you have checked all the components and hardware and the furniture is fully assembled.
5. Assemble all components loosely until advised to tighten. Depending on use, it may be necessary to tighten the components from time to time, so please save the tools that have been provided.
6. Please keep all pieces out of reach of small children.



Hardware:

- | | | | |
|---|--|--------------------|-----|
| A |  | Short Bolt M6x50mm | x 2 |
| B |  | Long Bolt M6x70mm | x 4 |
| C |  | Allen Wrench M4 | x 1 |

Component:



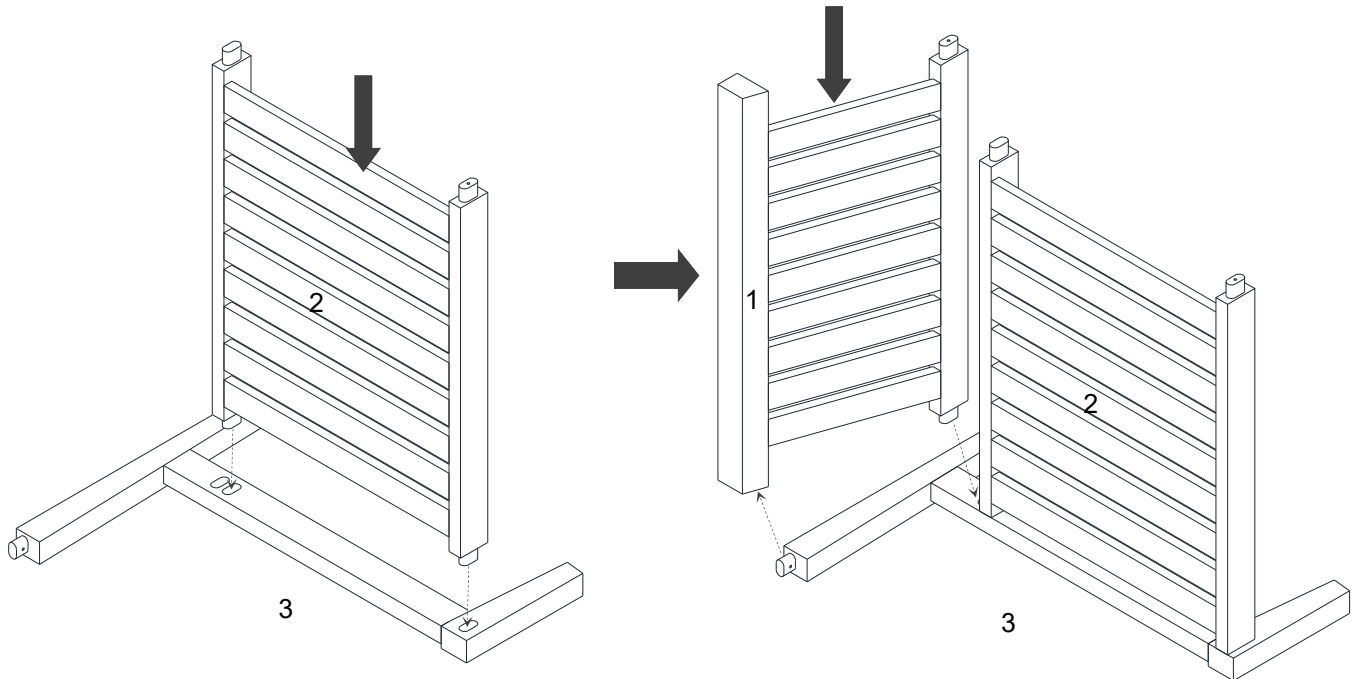
- | | | |
|--|---|---|
| <p>1 Chair Back x1</p> <p>4 Right Frame x1</p> | <p>2 Chair Seat x1</p> <p>5 Back Cushion x1</p> | <p>3 Left Frame x1</p> <p>6 Seat Cushion x1</p> |
|--|---|---|

STEP 1:

Please put **Left Frame (3)** on a carpeted or padded area.

Insert the tenon on **Chair Seat (2)** into the rabbet on **Left Frame (3)** at first.

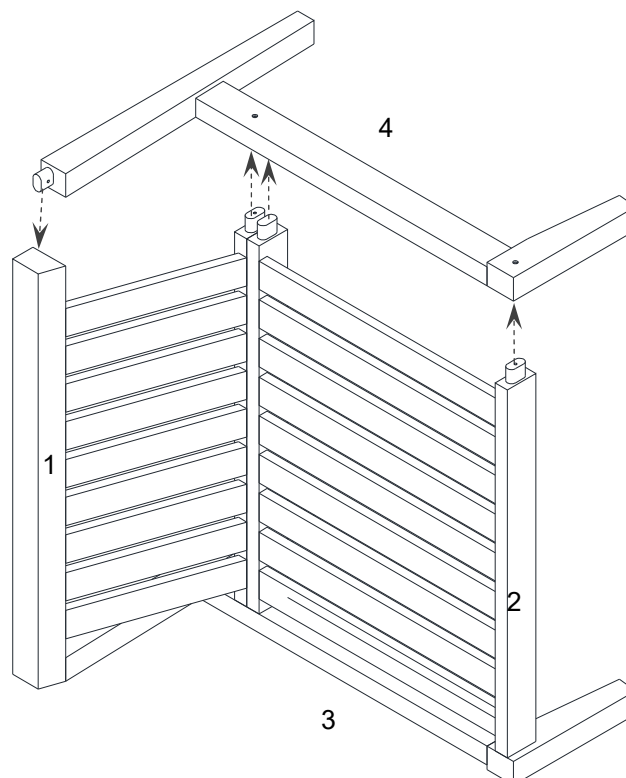
Then insert the tenon on **Chair Back (1)** into the rabbet on **Left Frame (3)** and insert the tenon on **Left Frame (3)** into the rabbet on **Chair Back (1)** as shown.



STEP 2:

Carefully position **Right Frame (4)** to the assembled **Chair Back (1)**, **Chair Seat (2)** and **Left Frame (3)** as shown.

Insert the tenon on **Chair Back (1)** and **Chair Seat (2)** into the rabbet on **Right Frame (4)** and insert the tenon on **Right Frame (4)** into the rabbet on **Chair Back (1)** as shown.



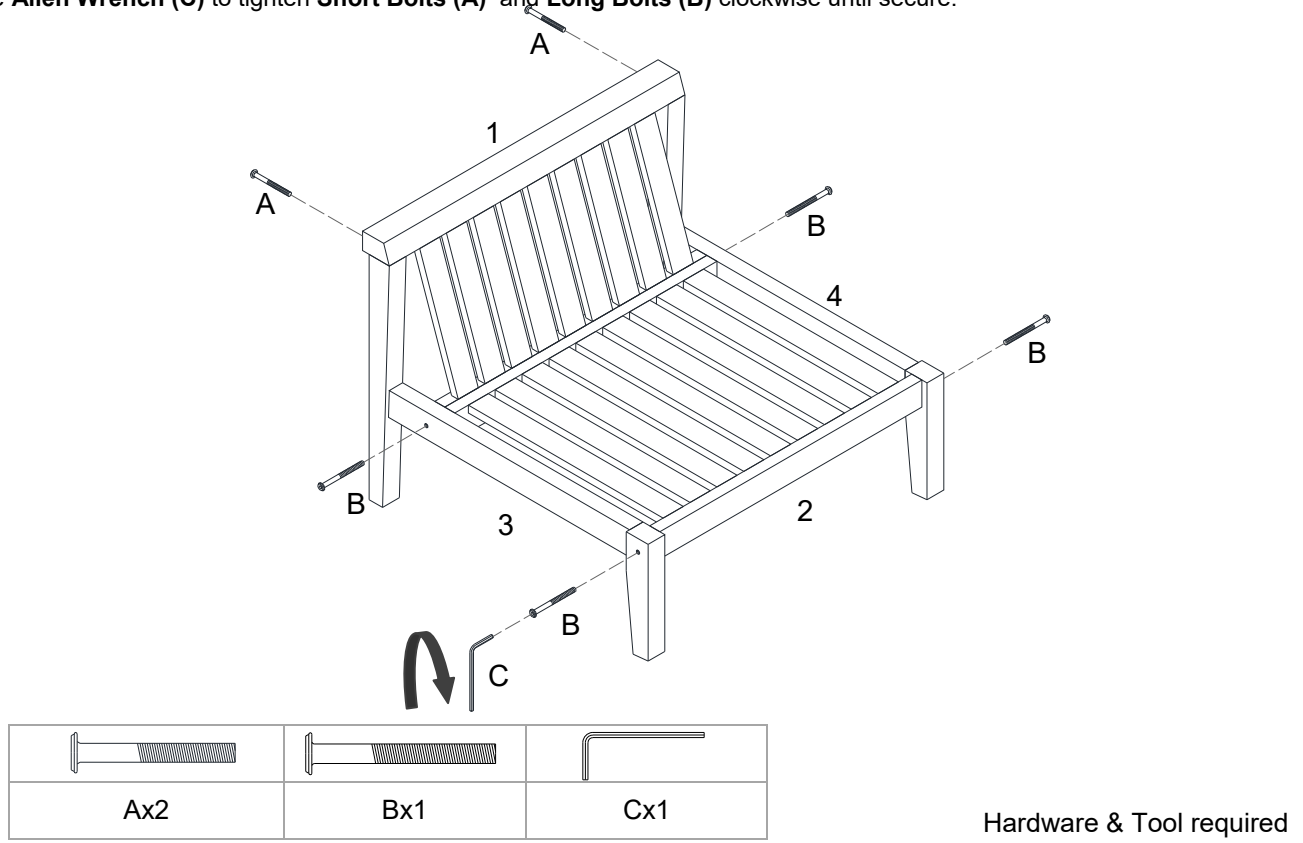
STEP 3:

Carefully turn over the assembled **Chair Back (1)**, **Chair Seat (2)**, **Left Frame (3)** and **Right Frame (4)**.

Insert 4 pieces of **Long Bolt (B)** into the pre-drilled holes on **Chair Seat (2)** through the pre-drilled holes on **Left Frame (3)** and **Right Frame (4)** as shown.

Insert 2 pieces of **Short Bolt (A)** into the pre-drilled holes on **Left Frame (3)** and **Right Frame (4)** through the pre-drilled holes on **Chair Back (1)** as shown.

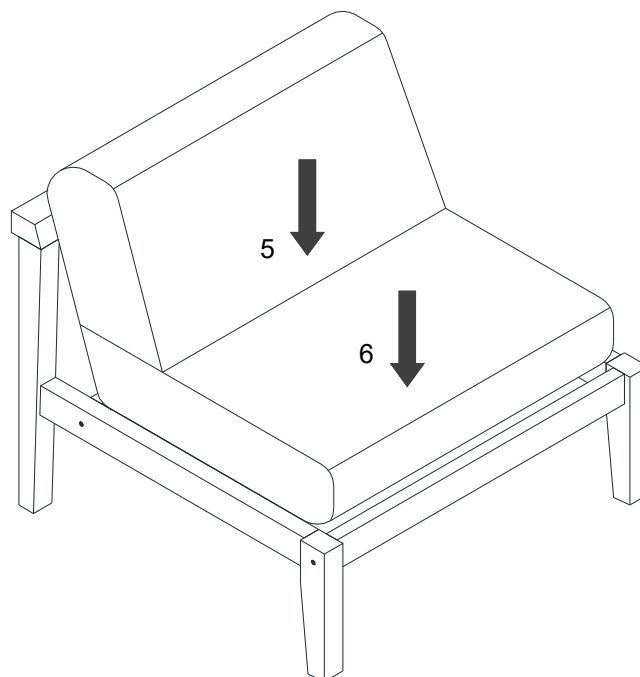
Use **Allen Wrench (C)** to tighten **Short Bolts (A)** and **Long Bolts (B)** clockwise until secure.



STEP 4:

Carefully position the assembled chair to the desired location.

Put **Back Cushion (5)** and **Seat Cushion (6)** into the assembled chair as shown.



Assembly is complete. Your chair is ready to be used now!